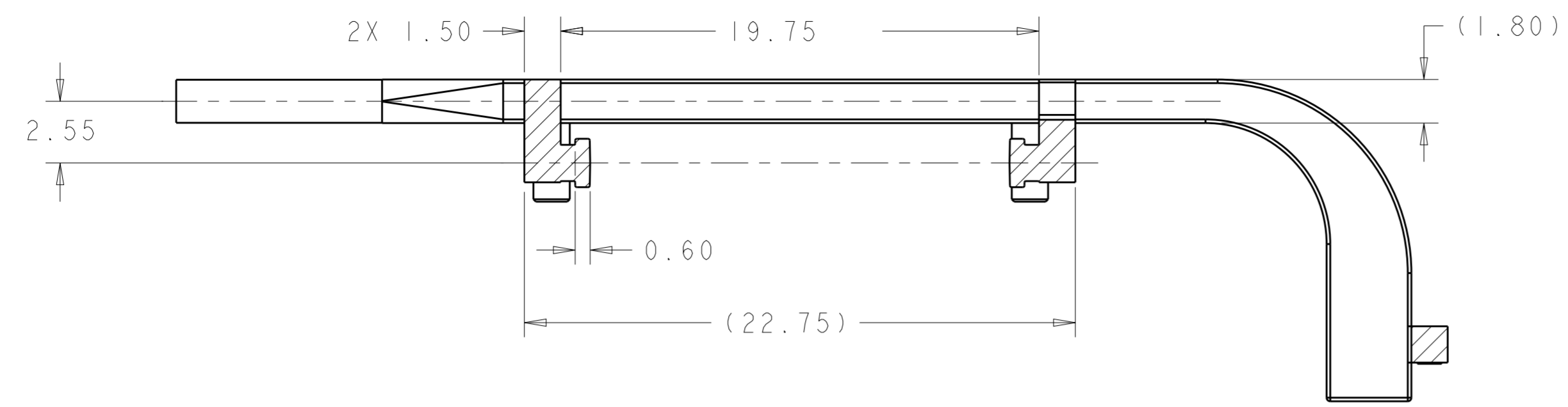


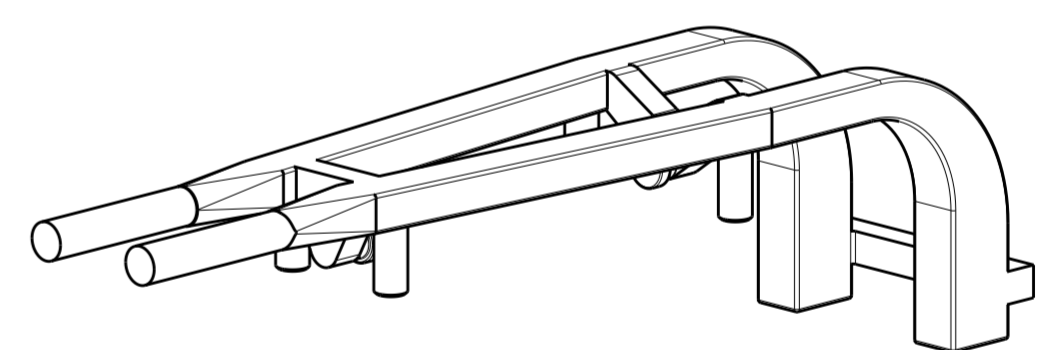
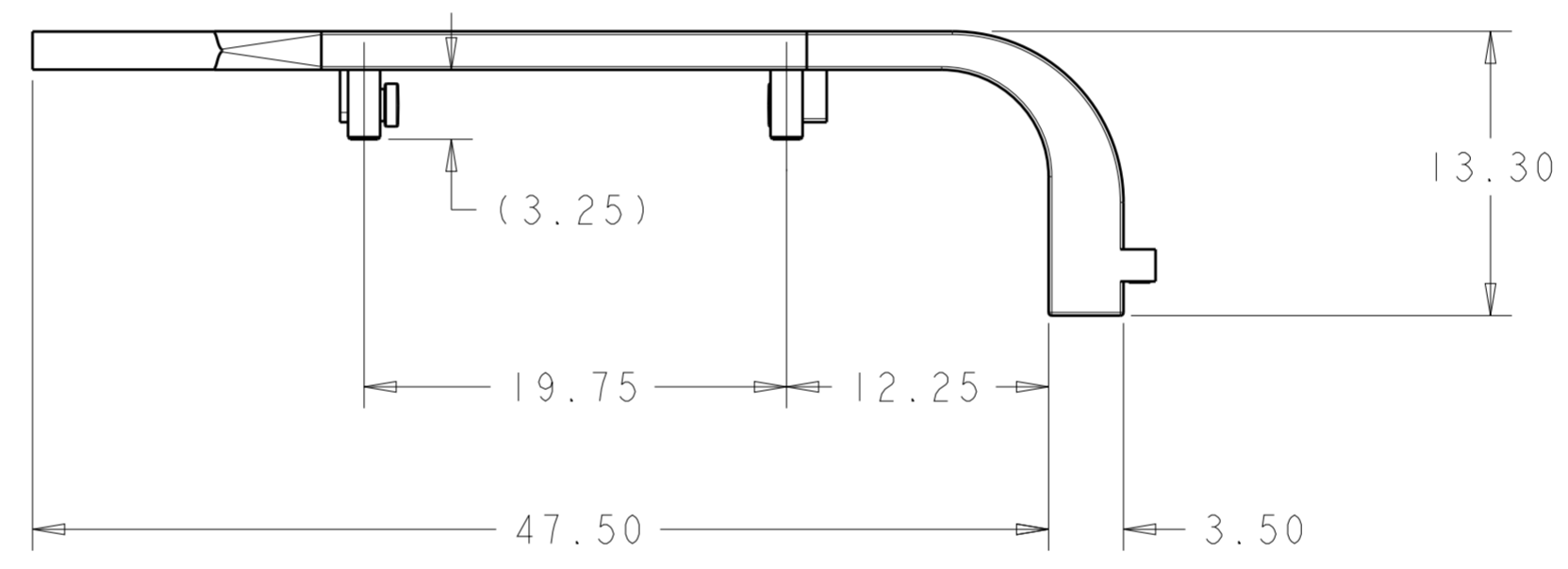
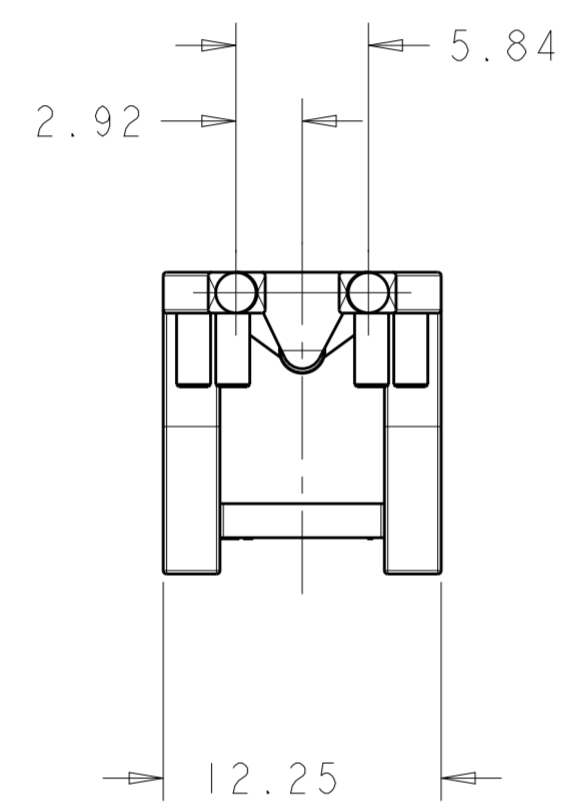
THIS DRAWING IS UNPUBLISHED. RELEASED FOR PUBLICATION
 © COPYRIGHT copyright.d8re- ALL RIGHTS RESERVED.

LOC		DIST		REVISIONS			
P	LTR	DESCRIPTION	DATE	DWN	APVD		
	1	INITIAL	256AUG2014	PP	SH		

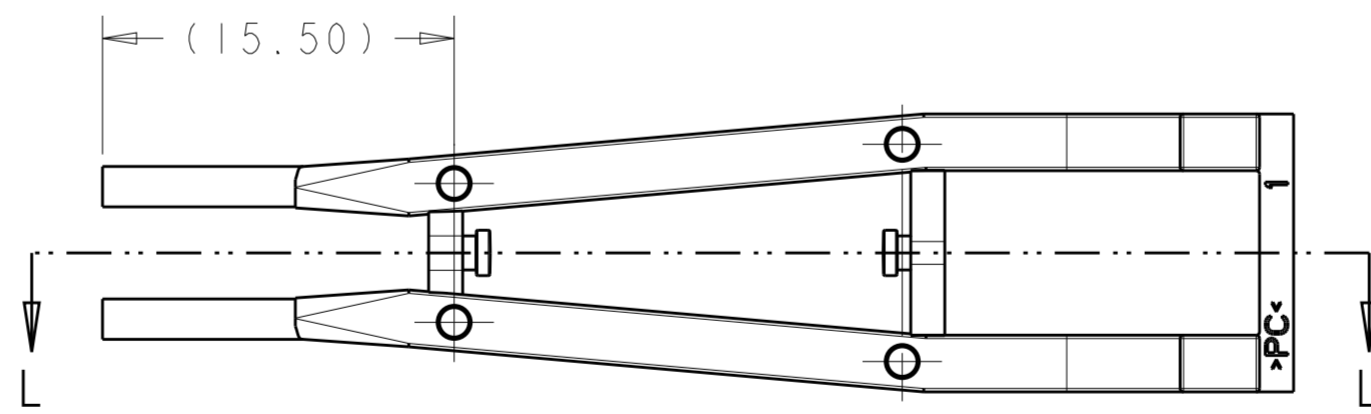


1. MATERIAL: POLYCARBONATE

SECTION L-L
SCALE 5:1



2057500-1



2057500-1
PART NUMBER

THIS DRAWING IS A CONTROLLED DOCUMENT.		DWN	26AUG2014	STE TE Connectivity	
DIMENSIONS:		CHK	26AUG2014		
mm		APVD	26AUG2014		
TOLERANCES UNLESS OTHERWISE SPECIFIED:		NAME	SEAN HAN		
0 PLC	± -	PRODUCT SPEC		SFP+ LIGHT PIPE REDUCED LENGTH	
1 PLC	± 0.25	APPLICATION SPEC		SIZE	CAGE CODE
2 PLC	± 0.20	WEIGHT		A2	00779
3 PLC	± 0.15	CUSTOMER DRAWING		G-2057500	
4 PLC	± -	SCALE	3:1	SHEET	OF
ANGLES	± 5°				
FINISH					