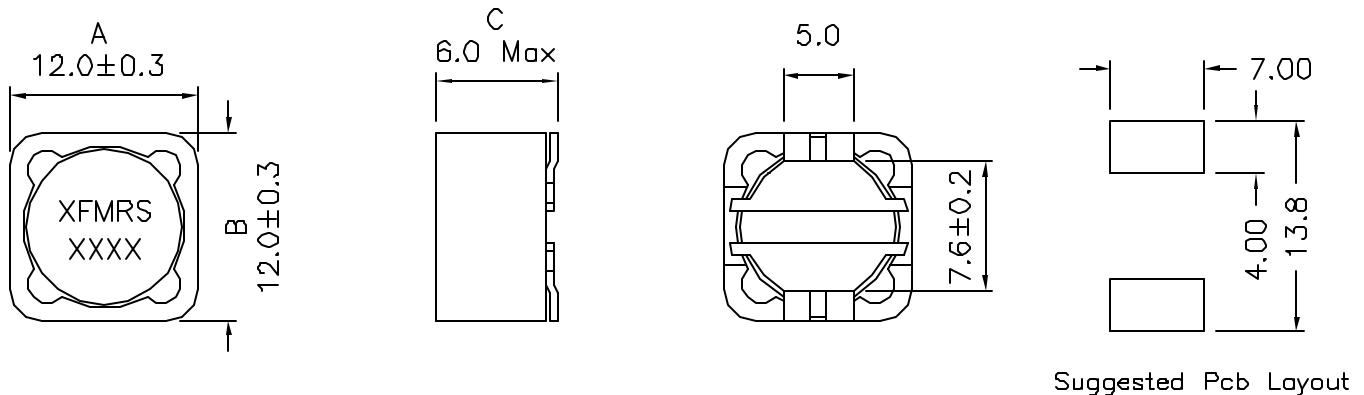


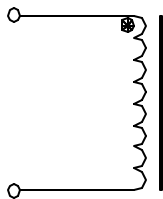
XFTPRH1205 Series Power Inductors

- * Available in two(2) standard sizes, 1205 and 1207
- * High Inductance, High DC Current Capability
- * True Surface Mount Design
- * Tape & Reel Packaging Standard, 650 Pcs per 13"Reel
- * Custom designs available At No Extra Charge
- * Economical Low Cost Solution For All Your Power Needs
- * Operating Temp: -40 to +85°C
- * Flamability Rating: UL94V-0

Mechanical Dimensions:



Sechematic:



UNLESS OTHERWISE SPECIFIED
 TOLERANCES:
 .xx±0.25
 Dimensions in MM

XFTPRH1205 Series Power Inductors

Electrical Characteristics:

Part Number	INDUCTANCE (uH)±20%	DCR (Ohms) Max	Rated D.C. Current (A)
XFTPRH1205-100M	10	0.025	4.00
XFTPRH1205-120M	12	0.027	3.50
XFTPRH1205-150M	15	0.030	3.30
XFTPRH1205-180M	18	0.034	3.00
XFTPRH1205-220M	22	0.036	2.80
XFTPRH1205-270M	27	0.051	2.30
XFTPRH1205-330M	33	0.057	2.10
XFTPRH1205-390M	39	0.068	2.00
XFTPRH1205-470M	47	0.075	1.80
XFTPRH1205-560M	56	0.110	1.70
XFTPRH1205-680M	68	0.120	1.50
XFTPRH1205-820M	82	0.140	1.40
XFTPRH1205-101M	100	0.160	1.30
XFTPRH1205-121M	120	0.170	1.10
XFTPRH1205-151M	150	0.230	1.00
XFTPRH1205-181M	180	0.290	0.90
XFTPRH1205-221M	220	0.400	0.80
XFTPRH1205-271M	270	0.460	0.75
XFTPRH1205-331M	330	0.510	0.68
XFTPRH1205-391M	390	0.690	0.65
XFTPRH1205-471M	470	0.770	0.58
XFTPRH1205-561M	560	0.860	0.54
XFTPRH1205-681M	680	1.200	0.48
XFTPRH1205-821M	820	1.340	0.43
XFTPRH1205-102M	1000	1.530	0.40

OCL tested at 1.0KHz, 0.1V