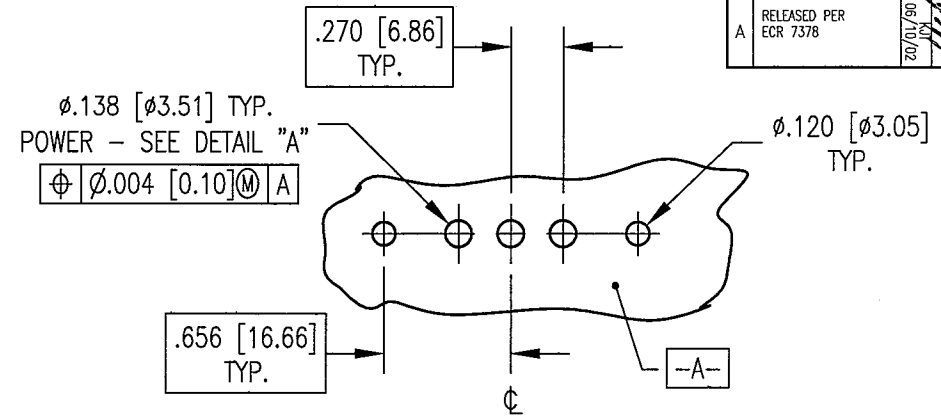
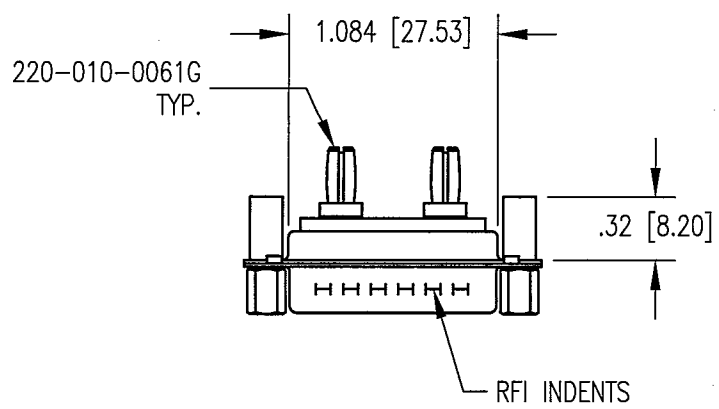
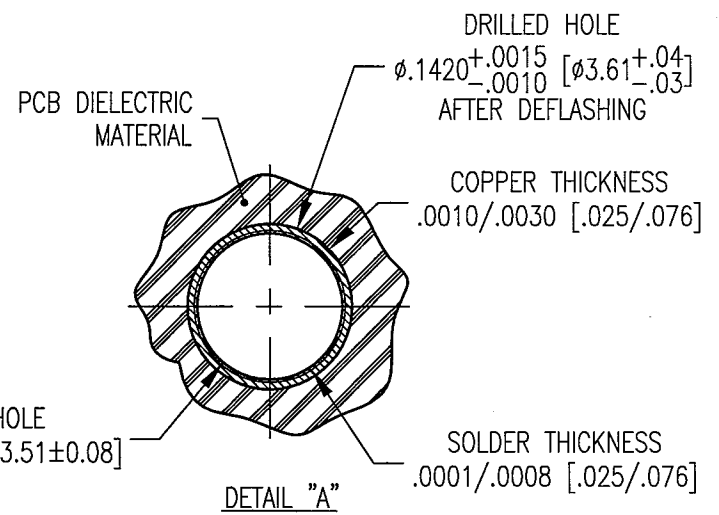
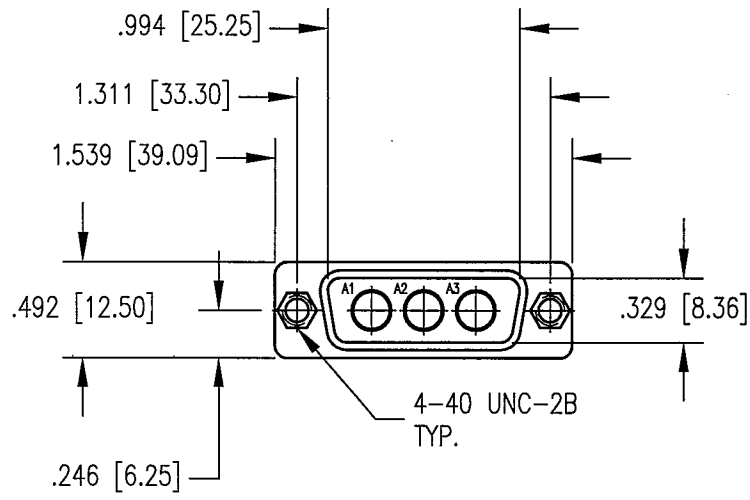
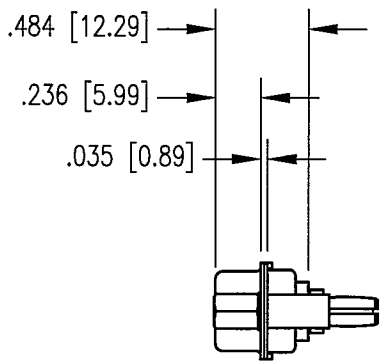


REV	DESCRIPTION	BY	APPD
A	RELEASED PER ECR 7378	05/10/02	[Signature]



RECOMMENDED MOUNTING HOLE LAYOUT (VIEWED FROM COMPONENT SIDE OF PCB)



NOTES:

- MATERIALS:
SHELL: STEEL PER ASTM A568
INSULATOR: GLASS FILLED POLYESTER
STAND-OFFS: BRASS PER ASTM B16
SCREW LOCKS: STAINLESS STEEL PER ASTM A582S
FOR CONTACT SPECIFICATIONS SEE CONTACT SALES DRAWING
- FINISH:
ALL METAL PARTS: TIN PLATED PER ASTM B545
INSULATOR: GREEN
FOR CONTACT SPECIFICATION SEE CONTACT SALES DRAWING

PER ASME Y14.5M-1994 UNLESS OTHERWISE SPECIFIED: DIMENSIONS ARE IN INCHES [MM]				NORTHROP GRUMMAN	
TOLERANCES: DECIMALS .xx \pm .01 [0.254] .xxx \pm .005 [0.127] ANGLES \pm 2' SCALE: 1:1					
CUSTOMER DRAWING			Winchester Electronics 400 Park Road Watertown, CT 06795		
DRAWN: JWH DATE: 5/6/02 CHECKED: KJT DATE: 5/6/02			TITLE: 3W3P D-SUB CONNECTOR		
APPROVED: JEM DATE: 5/6/02 APPROVED: JED DATE: 5/6/02			A RM3W3P-1043		
			SHT. OF REV.		
			1 1		A