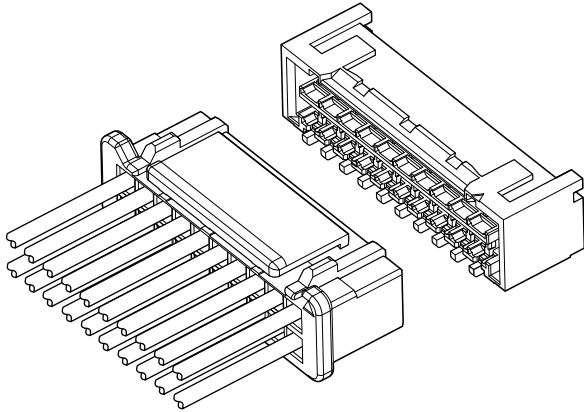


PBD CONNECTOR

2.0 mm pitch/Disconnectable Crimp style connectors



- Secure locking structure
- Sucking area on header
- High reliability contact
- Side entry dual-row type
- Applicator is interchangeable with those of the PHD connector contact.

Specifications

- Current rating: 3 A AC/DC (AWG #22)
- Voltage rating: 100 V AC/DC
- Temperature range: -25°C to +85°C
(including temperature rise in applying electrical current)
- Contact resistance: Initial value/ 10 mΩ max.
After environmental tests/ 20 mΩ max.
- Insulation resistance: Initial/ 1,000 MΩ min.
- Withstanding voltage: 800 VAC/minute
- Applicable wire: Conductor size/ AWG #28 to #22
Insulation O.D./ 1.0 to 1.5 mm

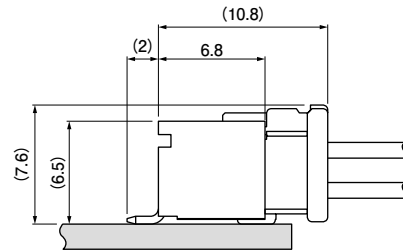
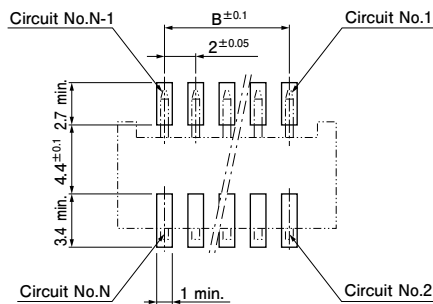
* In using the products, refer to "Handling Precautions for Terminals and Connectors" described on our website (Technical documents of Product information page).

* RoHS2 compliance

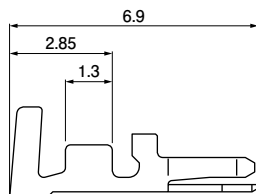
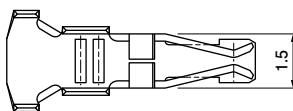
* Dimensional unit: mm

* Contact JST for details.

PC board layout and Assembly layout



Contact



| Model No. | Applicable wire | | Insulation O.D. (mm) | Q'ty/reel |
|----------------|-----------------|-------|----------------------|-----------|
| | mm ² | AWG# | | |
| SPBD-001T-P0.5 | 0.13~0.33 | 26~22 | 1.0~1.5 | 10,000 |
| SPBD-002T-P0.5 | 0.08~0.21 | 28~24 | 0.8~1.5 | 10,000 |

Material and Finish

Phosphor bronze, tin-plated (reflow treatment)

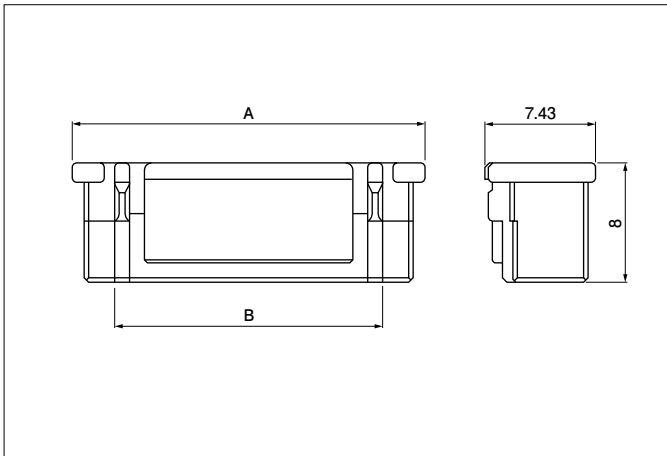
RoHS2 compliance

| Contact | Crimping machine | Applicator | | |
|----------------|------------------|------------------|----------------|----------------------------|
| | | Crimp applicator | Dies | Crimp applicator with dies |
| SPBD-001T-P0.5 | AP-K2N | MKS-L | MK/SPBD-001-05 | APLMK SPBD001-05 |
| | | MKS-L-10 | MK/SPHD-001-05 | APLMK SPHD001-05 |
| SPBD-002T-P0.5 | | MKS-L | MK/SPBD-002-05 | APLMK SPBD002-05 |
| | | MKS-L-10 | MK/SPHD-002-05 | APLMK SPHD002-05 |

Note: Contact JST for fully automatic crimping applicator.

PBD CONNECTOR

Housing



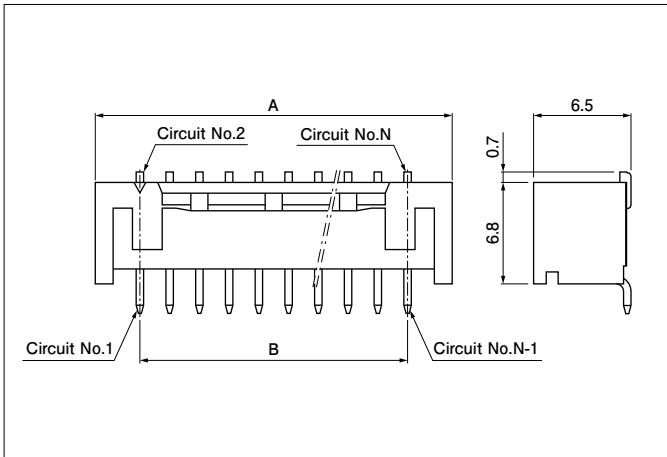
| No. of circuits | Model No. | Dimensions (mm) | | Q'ty/bag |
|-----------------|------------|-----------------|------|----------|
| | | A | B | |
| 16 | PBDP-16V-S | 19.7 | 14.0 | 500 |
| 20 | PBDP-20V-S | 23.7 | 18.0 | 300 |
| 30 | PBDP-30V-S | 33.7 | 28.0 | 200 |

Material and Finish

PBT, UL94V-0, natural (white)

RoHS2 compliance

Shrouded header



| No. of circuits | Model No. | Dimensions (mm) | | Q'ty/reel |
|-----------------|----------------|-----------------|------|-----------|
| | | A | B | |
| 16 | SM16B-PBDSS-TF | 20.0 | 14.0 | 800 |
| 20 | SM20B-PBDSS-TF | 24.0 | 18.0 | 800 |
| 30 | SM30B-PBDSS-TF | 34.0 | 28.0 | 800 |

Material and Finish

Post: Copper alloy, copper-undercoated, tin-plated (reflow treatment)

Base housing: Polyamide resin, UL94V-0, natural (ivory)

Base contact: Copper alloy, copper-undercoated, tin-plated (reflow treatment)

RoHS2 compliance This product displays (LF)(SN) on a label.

Note: These products listed above are supplied on embossed-tape.