

AiMC-3200VS

Compact Size Hybrid Intelligent Video System



WebAccess+IVS CB CCC R32138 UL CE FCC RoHS COMPLIANT PRODUCT

Features

- Compact Size intelligent surveillance system with flexible hybrid system structure
- Free bundled VMS/CMS and SDK for AP software integration
- Free bundled and optional intelligent video analysis (IVA) software
- Supports analog/digital/IP Cameras with Hybrid structure
- 1 TB HDD for 4-ch of recording for 15 Days (D1/60FPS)

Introduction

AiMC-3200VS is an compact size hybrid intelligent video system. It provides great flexibility to support both analog and IP cameras with Advantech intelligent surveillance software, WebAccess+IVS. The embedded OS provides excellent reliability and protection against virus attack. Support analog/digital/IP Cameras with Hybrid structure preview and playback with motion detection, PTZ control, and HDD video backup. It also supports TCP/IP for preview and playback with full software functions via Internet/Intranet. AiMC-3200VS is also pre-installed with several free bundled intelligent video analysis software to make your surveillance system more intelligent. Advantech's Quality Assurance, and Configure To Order Services, provide the best reliability for 24/7 operations. The advanced thermal design, and easy to operate user interface make the AiMC-3200VS the ideal PC based surveillance solution for various applications.

Specifications

System	CPU	Core i5-3550S	
	Cache Memory	6MB	
	System Chipset	Intel H61	
	Memory	4GB DDRIII (Max. Capacity 16GB)	
Storage	HDD Driver	1 x 2.5" (1TB) SATA HDD (2 Internal Bay)	
Graphic	Chipset Integrated	Integrated Intel HD Graphics	
Analog Camera Support	Recording Standard	NTSC/PAL	
	Video Encoding	H.264	
	Maximum Frame Rate	30/25fps per channel	
	Analog Camera Inputs	Up to 8 channels D1/240FPS or 4 channels 1080P/120FPS HW encoder capture card selected	
IP Camera Support	Recording Resolutions	Up to 3 Megapixel	
	Video Encoding	H.264	
	Maximum Frame Rate	30fps per channel	
	Camera Inputs	Up to 8 channels D1/240FPS or 4 channels Full HD 1080P/120FPS IP cameras	
Inputs and Outputs	Display	VGA+DVI-D	
	USB	4 USB2.0 (3 in front, 1 internal type-A for software key)	
	Network	2 x 10/100/1000 Mbps LAN Ports	
	Serial	2 x RS232	
	PS/2	1	
Environmental	Temperature	Operating 0 ~ 40° C (32 ~ 104° F)	Non-Operating -20 ~ 60° C (-4 ~ 140° F)
	Humidity	10 ~ 85% @ 40° C, non-condensing 10 ~ 95% @ 40° C, non-condensing	
Hardware and Physical	Power	AC 250W, ATX 100V _{AC} ~ 240 V _{AC}	
	Storage	Up to 2.5" HDD x 2	
	Dimension (W x H x D)	232 x 90 x 232 mm	
Third Party Integration	SDK Available for 3 rd Party software integration	Supported	

WebAccess+IVS Function Description

Function	Specification	Description
Monitoring	Status displaying	<ul style="list-style-type: none"> Prompt status display and event lists of systems login/logout, video lose, cameras status, web and remote connection, storage space, backup, sensors, and DO status.
	e-Map	<ul style="list-style-type: none"> E-map layout shows the locations of video cameras, sensors and alarm devices that allow you to control them and the action will link to surveillance system simultaneously. Also provides free tool for e-map edition
	Event log displaying	<ul style="list-style-type: none"> Real time display for event list and automatic refresh of video event list in ViewLog.
	Screen Split	<ul style="list-style-type: none"> Full screen, 1, 4, 9, 10,13, 16 Sequencer, (Able to change time interval)
	Camera layout	<ul style="list-style-type: none"> Assign name and adjustable font to each camera
	Quality adjustment	<ul style="list-style-type: none"> Adjustable color control of Hue, Contrast, Brightness, and Saturation for preview, record and playback.
Recording	Resolutions	<ul style="list-style-type: none"> Selectable recording resolutions (Depends on the capture card and IP camera selected)
	Compression format	<ul style="list-style-type: none"> H.264
	Recording modes	<ul style="list-style-type: none"> Cyclic Recording, Non-Cyclic recording, Event Triggered Recording, and Scheduled Recording
	Recording Quality	<ul style="list-style-type: none"> Adjustable recording quality
	Recording Frame	<ul style="list-style-type: none"> Adjustable recording frames of each camera and event
	Pre & Post Alarm Recording	<ul style="list-style-type: none"> Adjust pre-alarm and post-alarm recording time (Pre-alarm recording: 10 seconds, post-alarm recording: 100 seconds)
	Record file length	<ul style="list-style-type: none"> Adjustable file length for record searching segment
Search & Playback	Playback Speed	<ul style="list-style-type: none"> Single frame, 1/16x, 1/8x, 1/4x, 1/2x, 1x, 2x, 4x, 8x,16x, fast forward and rewind
	Playback Mode	<ul style="list-style-type: none"> Can show up to 4 cameras' playback images simultaneously
	Search Mode	<ul style="list-style-type: none"> Allows image searching by date, time, camera, and event. Calendar and time segment for day and time search. Selectable event time, event type, and camera IDs for event search
	Smart Search	<ul style="list-style-type: none"> Able to search archives for incidents. Smart search list
	Image Transfer	<ul style="list-style-type: none"> Able to save image as BMP, JPG and AVI format. Selectable day and time for video saving or using bookmark time record list directly.
	Bookmark	<ul style="list-style-type: none"> Stores many bookmarks to facilitate searching.
Data Storage	Recording Time	<ul style="list-style-type: none"> Recording length varies depending on recording quality, resolution, mode and activity Auto continuous recording-- oldest recorded data will automatically be overwritten when hard drive is full
	Backup	<ul style="list-style-type: none"> Local: HDD/CD-RW/DVD-RW selectable/External USB HDD/CD-RW/DVD-RW Backup mode: Auto (schedulable) and Manual to backup video file
	Storage Path	<ul style="list-style-type: none"> Adjust each storage path of each camera and reserve size. Setup each storage path to automatically delete the oldest file records
Alarm Notification	Event Action Plan	<ul style="list-style-type: none"> Flexible, multiple event action plan. Able to define multiple actions taken for event source. Event source: motion detected, sensor triggered, video signal breaks, login failed, system abnormal and backup disk full etc. Event action: DO output, PTZ Control, e-mail sending, SMS notify, video file record, snapshots, phone/mobiles notification, warning sound playing, video group playing and execute certain programs etc
	E-mail and Phone notification	<ul style="list-style-type: none"> E-mail notification with attached recording files or snapshot images on any event source like event triggered. E-mail and phone notification on multi event source. (with voice modem option)
	PTZ Activation	<ul style="list-style-type: none"> Supports alarm setup with PTZ preset location.
	Sensor and DO	<ul style="list-style-type: none"> Adjustable Sensor, DO layout, schedulable
Network Control	IE Remote Control	<ul style="list-style-type: none"> View live video, event list, PTZ control, and do remote recording, remote playback, remote setting, e-map function and remote snapshot through IE browser Supports 1, 4, 9, 10,13, 16 screen split
Operation	User Authority	<ul style="list-style-type: none"> Multi-level password protection and unlimited user accounts for logins and passwords.
	Authority setting	<ul style="list-style-type: none"> Allows authority settings of each user to each camera (local and remote monitor, playback, PTZ control, DO and e-map control, network connecting user numbers, with time limits, print and save function, control, etc.)
	PTZ Control	<ul style="list-style-type: none"> Embedded PTZ control panel: Pan & Tilt, zoom control and preset function. Support most popular PTZ protocol
	Dynamic IP support	<ul style="list-style-type: none"> Built-in Web server. Supports dynamic IP.
	Language	<ul style="list-style-type: none"> English, Traditional Chinese, Simplified Chinese
	Others	<ul style="list-style-type: none"> Windows lockup Auto reboot Auto DVR login

Plus Package Benefits

WebAccess+IVS SDK
available for 3rd party CMS or AP software integration



WebAccess+IVS
Intelligent Video Analytics (IVA)



Object Counting



People Counting



Camera Tamper



Optical Self Diagnostic



Motion Detection



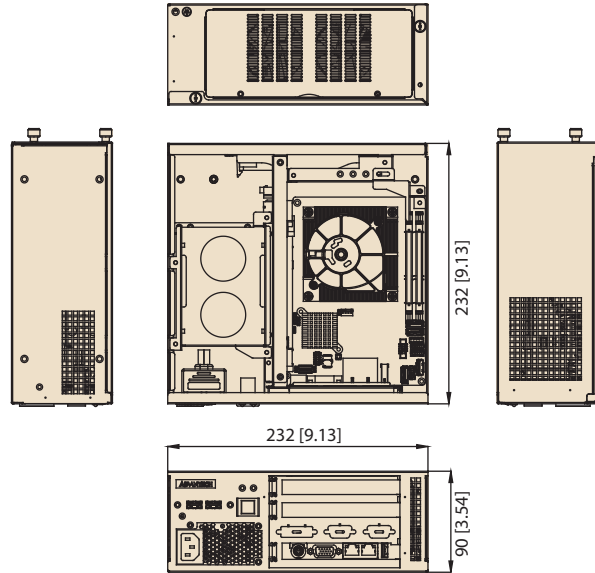
Forbidden Zone



Demographic

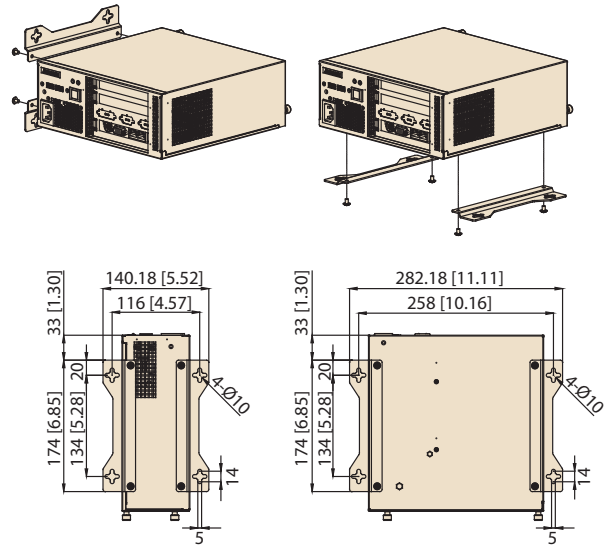
Dimensions

Unit: mm [inch]

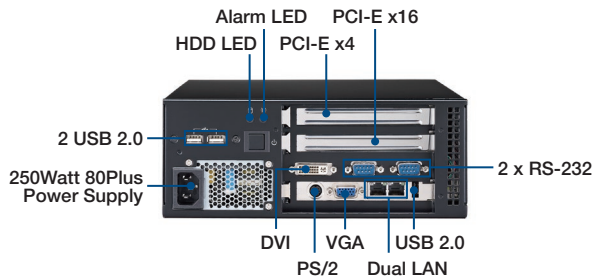


Installation

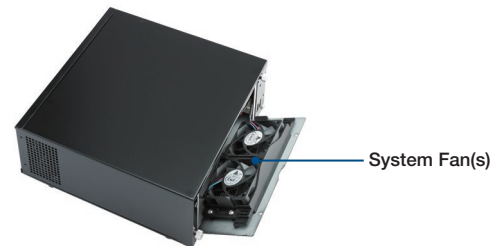
Unit: mm [inch]



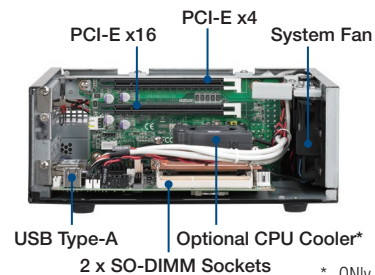
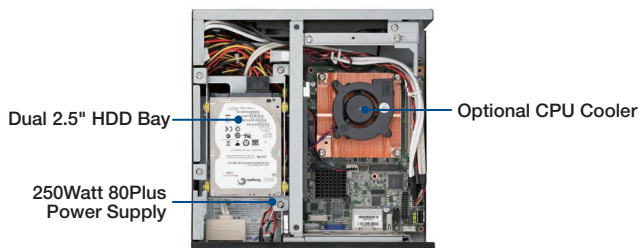
Front View



Rear Cover for Replacing Fans



Interior View



* ONLY 1 PCIe slot is available when using 1.5U CPU Cooler

Ordering Information

Part Number	Description
AIMC-3200VS-00A1E	Micro Computer, Micro Computer, 1T_HDD/4G_RAM/Win7E X64/IVA_4CH motion/2CH_face
AIMC-3200VS-08A1E	Micro Computer, 1T_HDD/4G_RAM/Win7E X64/IVA_8CH motion/4CH_face

Optional Accessories

Part Number	Description
DVP-7637E	4ch video capture card for analog cameras
DVP-7640E	8ch video capture card for analog cameras