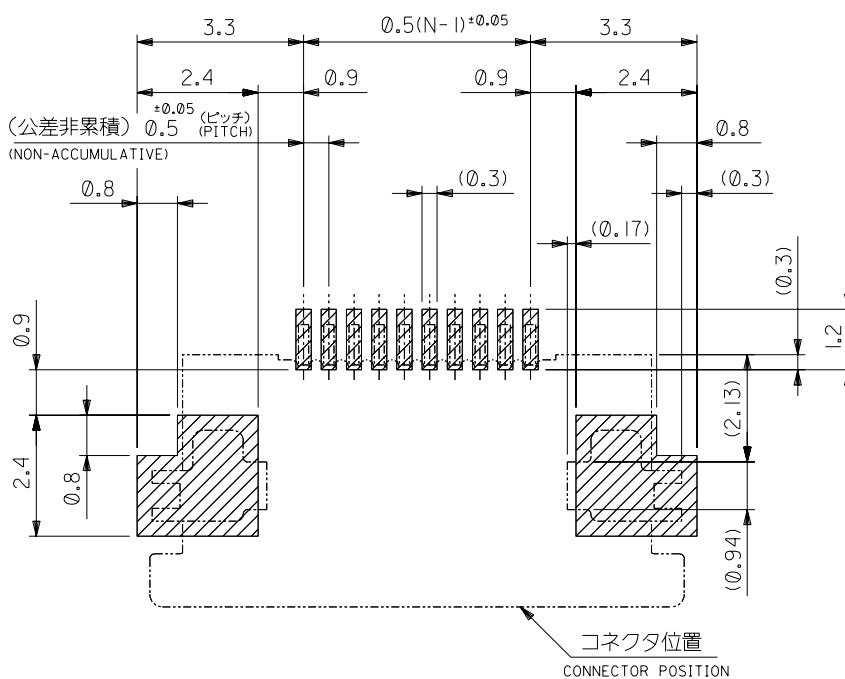


30.5	29.3	25.65	24.5	54104 - 5037	50
28.5	27.3	23.65	22.5	54104 - 4637	46
28.0	26.8	23.15	22.0	54104 - 4537	45
27.0	25.8	22.15	21.0	54104 - 4337	43
25.5	24.3	20.65	19.5	54104 - 4037	40
24.5	23.3	19.65	18.5	54104 - 3837	38
23.5	22.3	18.65	17.5	54104 - 3637	36
23.0	21.8	18.15	17.0	54104 - 3537	35
22.5	21.3	17.65	16.5	54104 - 3437	34
22.0	20.8	17.15	16.0	54104 - 3337	33
21.5	20.3	16.65	15.5	54104 - 3237	32
20.5	19.3	15.65	14.5	54104 - 3037	30
D	C	B	A	MATERIAL NO.	CKT.

DO NOT SCALE DRAWING

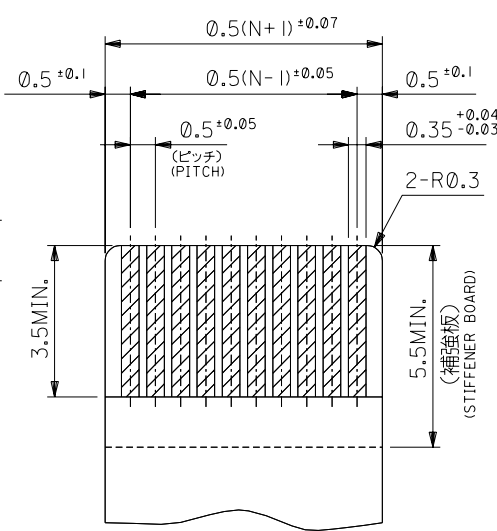
図番 NO. DRAWN: CH'K: APPR:	図番 NO. DRAWN: CH'K: APPR:	変更 REVISED 図番 NO. JZ003-2624 DRWN: K.TOJO CH'K: M.SASAO APPR: M.SASAO	変更 REVISED 図番 NO. JZ003-0977 DRWN: K.TOJO CH'K: M.SASAO APPR: M.SASAO	新規作成 RELEASED 図番 NO. JC2001-0415 DRWN: N.YANO CH'K: S.KUNISHI APPR: M.FUKUSHIMA	MATERIAL 材料 SHEET 2 OF 2 参照 SEE SHEET 2 OF 2
REV	DESCRIPTION	FINISH 仕上げ	WIRE RANGE 適用線径範囲	INS. RANGE 被覆外径	—

GENERAL TOLERANCES: (UNLESS SPECIFIED) 一般公差	SCALE	DESIGN UNITS <input checked="" type="checkbox"/> mm <input type="checkbox"/> INCH	DIMENSIONS: <input type="checkbox"/> mm <input type="checkbox"/> INCH <input checked="" type="checkbox"/> mm ONLY	SHT REV
10 UNDER 未満 30 UNDER 未満	±0.2 ±0.25	DRAWN BY & DATE N.YANO '00/12/13	TITLE: 0.5 FPC Conn Zif Hsg Assy for SMT RA Upr Cont	2 1
10 OVER 以上 30 OVER 以上	±0.3	CHECKED BY & DATE S.KUNISHI '00/12/13	MOLEX MOLEX INCORPORATED	2 1
ANGLE 角度	±3°	APPROVED BY & DATE M.FUKUSHIMA '00/12/13	CAD FILENAME SD-54104-023.S01	MATERIAL NO. 54104-***37
			DRAWING NO. SD-54104-023	SHEET NO. 1 OF 2
			THIS DRAWING CONTAINS INFORMATION THAT IS PROPRIETARY TO MOLEX INCORPORATED AND SHOULD NOT BE USED WITHOUT WRITTEN PERMISSION.	
			SIZE B	

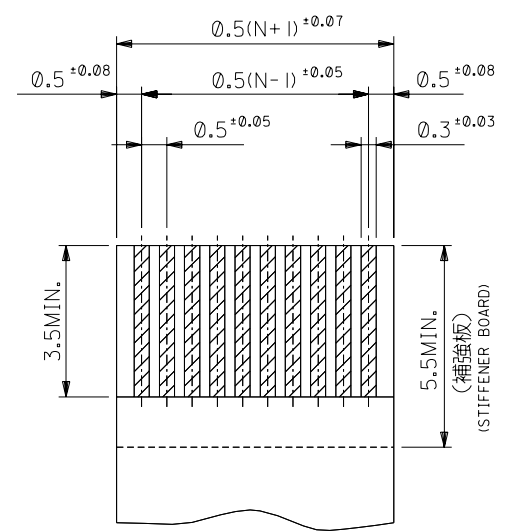


参考基板レイアウト
RECOMMENDED P.C.BOARD
PATTERN DIMENSION (REF.)

(マウント面)
(MOUNTING SIDE)



適合FPC推奨寸法
APPLICABLE FPC
RECOMMENDED DIMENSION
(仕上がり厚さ: 0.3±0.03)
(THICKNESS: 0.3±0.03)



適合FFC推奨寸法
APPLICABLE FFC
RECOMMENDED DIMENSION
(仕上がり厚さ: 0.3±0.03)
(THICKNESS: 0.3±0.03)

注記 NOTES

I. 使用材料 MATERIAL

- ハウジング HOUSING : 46ナイロン, UL94V-0 46NYLON
- アクチュエータ ACTUATOR : PPS, UL94V-0
- ターミナル TERMINAL : リン青銅, 銅下地半田メッキ (t=0.2) PHOS-BRO.TIN-LEAD(9:1) 3~5 MICRON METER OVER COPPER 1~2.5 MICRON METER PLATED
- 金具 FITTING NAIL : リン青銅, 銅下地半田メッキ (t=0.2) PHOS-BRO.TIN-LEAD(9:1) 3~5 MICRON METER OVER COPPER 1~2.5 MICRON METER PLATED

- 2. エンボステープ梱包時は、アクチュエータがロックした状態とする。
IN THE PACKAGE, ACTUATOR OF PART NO.54104-37 SHOULD BE LOCKED.
- △ソルダーテール半田付け面のズレ量、及び金具半田付け面のズレ量は、基準面 H に対し上方向 0.1 MAX. 下方向 0.15 MAX. とし、相互のバラツキ量は、0.1 MAX. とする。
MISALIGNMENT OF SOLDER TAILS AND FITTING NAILS FROM UPPER DIRECTION: 0.1 MAX., LOWER DIRECTION: 0.15 MAX. OFFSET BETWEEN UPPER AND LOWER 0.1 MAX. H
- △偶数極に適用。
APPLY FOR EVEN CIRCUIT.
- △パターンはくり止め用金具
FITTING NAIL FOR PREVENTION OF PEELING OF P.C.B. PATTERN.

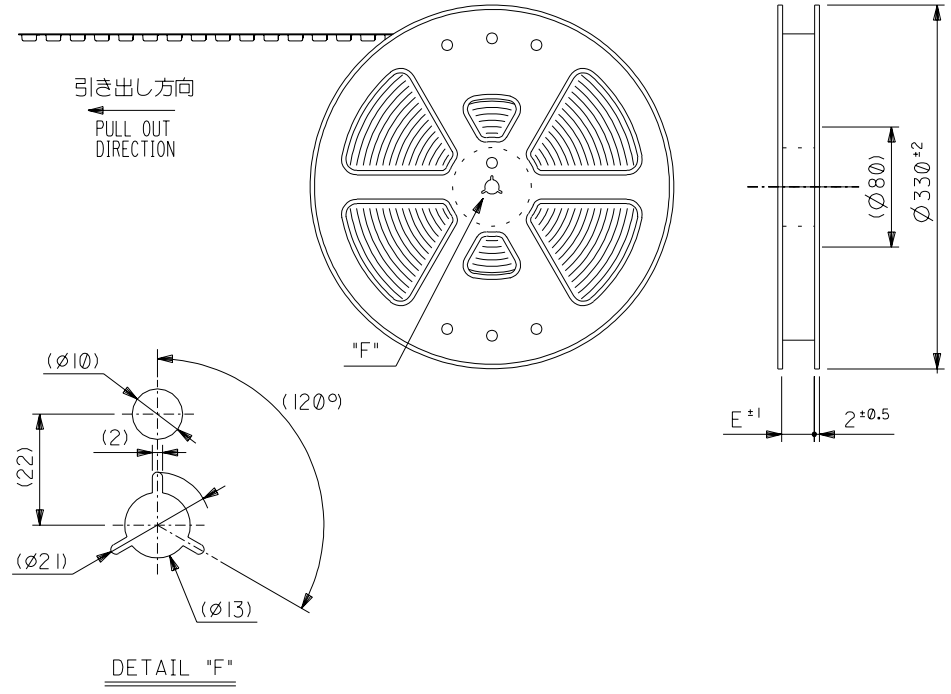
FPC/FFCについて

打抜き方向は導体側から補強板側を推奨いたします。
導体部については軟銅箔35マイクロメーターまたは50マイクロメーターメッキ厚 3~9マイクロメーター錫または半田メッキ (電気メッキ)
RECOMMENDED PUNCHER DIRECTION:
FROM CONDUCTOR SIDE TO STIFFENER BOARD SIDE.
RECOMMENDED CONDUCTOR SPEC.:
THICKNESS OF SOFT COPPER FOIL:
35 micrometer or 50 micrometer
TIN OR SOLDER PLATING:
3~9 micrometer (ELECTRICAL PLATING)

DO NOT SCALE DRAWING

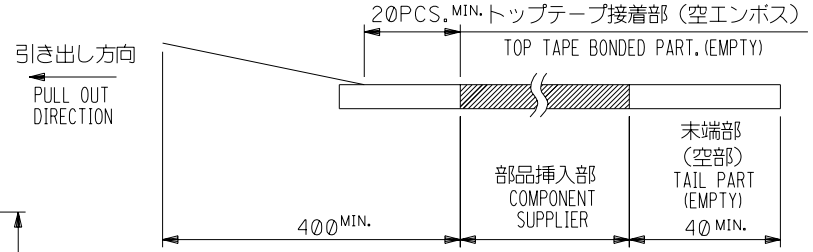
図番 NO. DRAWN: CH'K: APPR:	図3 NO. DRAWN: CH'K: APPR:	変更 REVISED 図2 NO. J2003-2624 DRAWN: K.TOJO CH'K: M.SASAO APPR: M.SASAO	変更 REVISED 図6 NO. J2003-0977 DRAWN: K.TOJO CH'K: M.SASAO APPR: M.SASAO	新規作成 RELEASED 図6 NO. J2001-0415 DRAWN: N.YANO CH'K: S.KUNISHI APPR: M.FUKUSHIMA	MATERIAL 材料 注記参照 SEE NOTES	FINISH 仕上げ ---	WIRE RANGE 適用層線範囲 ---	INS. RANGE 被覆外径 ---	REV

GENERAL TOLERANCES: (UNLESS SPECIFIED) 一般公差	SCALE	DESIGN UNITS <input checked="" type="checkbox"/> mm <input type="checkbox"/> INCH	DIMENSIONS: <input type="checkbox"/> mm <input type="checkbox"/> INCH <input checked="" type="checkbox"/> mm ONLY	SHT REV
10 UNDER 未満 ±0.2 10 OVER 30 UNDER 未満 ±0.25 30 OVER 以上 ±0.3	DRAWN BY & DATE N.YANO '00/12/13	CHECKED BY & DATE S.KUNISHI '00/12/13	TITLE: 0.5 FPC Conn Zif Hsg Assy for SMT RA Up Cont	2 OF 2
ANGLE 角度 ±3°	APPROVED BY & DATE M.FUKUSHIMA '00/12/13	CAD FILENAME SD-54104-023.S02	MOLEX MOLEX INCORPORATED	SHEET NO. 2 OF 2
CAD FILENAME: SD-54104-023.S02				MATERIAL NO.: 54104-37
DRAWING NO.: SD-54104-023				SHEET NO.: 2 OF 2
THIS DRAWING CONTAINS INFORMATION THAT IS PROPRIETARY TO MOLEX INCORPORATED AND SHOULD NOT BE USED WITHOUT WRITTEN PERMISSION.				

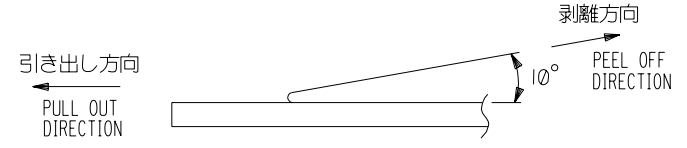


NOTES

- 梱包数量：1500個/リール
NUMBER OF CONNECTORS : 1500PCS/REEL
- リードテープ長さ LEAD TAPE LENGTH
20PCS. MIN. トップテープ接着部 (空エンボス)

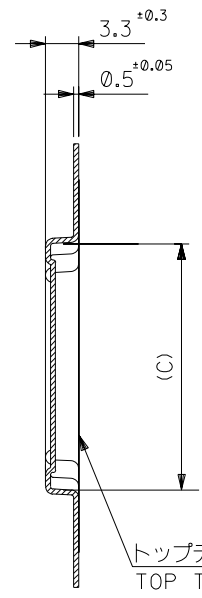


- トップテープの剥離強度：0.1N ~ 0.7N (10.2gf ~ 71.4gf)
(剥離方向は下図参照)
尚、本規格値は出荷時に適用。(但し、輸送時に剥離が発生しないこと。)
PEELING OFF FORCE OF TOP TAPE : 0.1N ~ 0.7N (10.2gf ~ 71.4gf)
(PEELING DIRECTION AS SHOWN IN FOLLOWING FIG.)
THIS REQUIREMENT SHOULD BE APPLIED AT SHIPMENT.
PEEL OFF SHOULD NOT BE ALLOWED , DURING TRANSPORTATION.

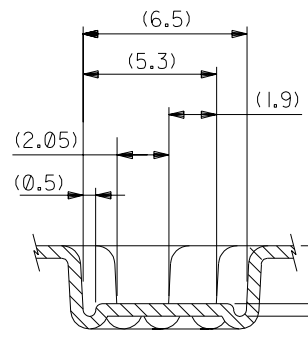
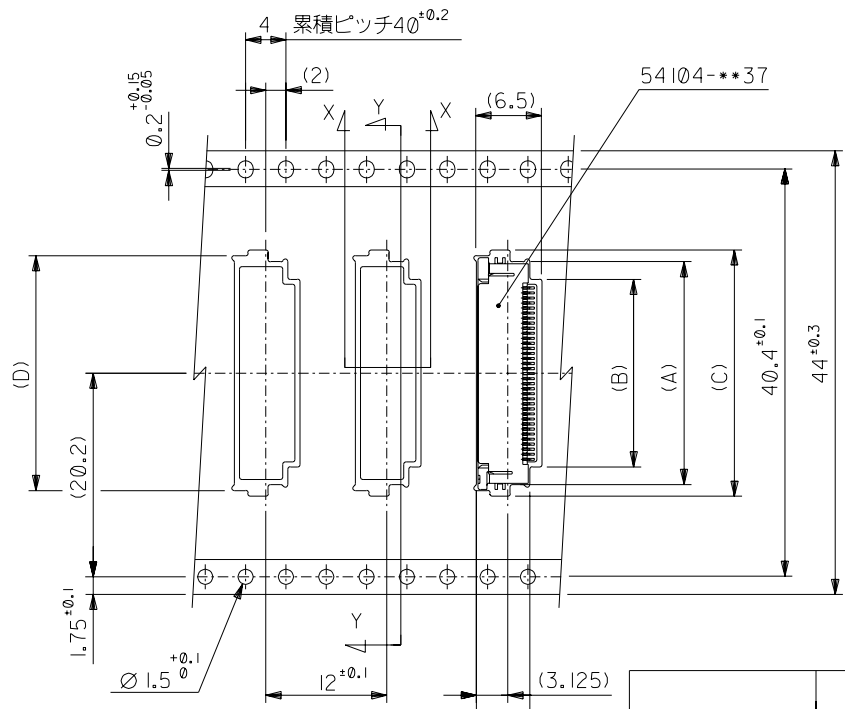


- 材料 (MATERIAL)
キャリアテープ (CARRIER TAPE) : ポリプロピレン (POLYPROPYLENE)
トップテープ (TOP TAPE) : PET , PE , PEF
リール (REEL) : ポリスチレン (PS) <リサイクル材を含む>
POLYSTYREN (PS) <RECYCLE MATERIAL CONTAINED>

②64NO. DRWN: CH'K: APPR: ②63NO. DRWN: CH'K: APPR: ②62NO. DRWN: CH'K: APPR: 変更 REVISED ②61NO. JZ003-0977 DRWN: K.TOJO CH'K: M.SASAO APPR: M.SASAO 新規格作成 RELEASED ②60NO. JC2001-0415 DRWN: N.YANO CH'K: S.KUNISHI APPR: M.FUKUSHIMA	A	0	MATERIAL 材料 注記参照 SEE NOTES FINISH 仕上げ WIRE RANGE 適用規格範囲 INS. RANGE 被覆外径	GENERAL TOLERANCES: (UNLESS SPECIFIED) 一般公差	SCALE DESIGN UNITS <input checked="" type="checkbox"/> mm <input type="checkbox"/> INCH	DIMENSIONS: <input type="checkbox"/> mm <input type="checkbox"/> INCH <input checked="" type="checkbox"/> mm ONLY	SHT REV
				10 UNDER 未満 30 UNDER 未満 30 OVER 以上	±0.2 ±0.25 ±0.3	DRAWN BY & DATE N.YANO '00/12/13 CHECKED BY & DATE S.KUNISHI '00/12/13 APPROVED BY & DATE M.FUKUSHIMA '00/12/13	TITLE: Embstp Pkg for 0.5 FPC Conn Zif Hsg Assy



SECT:Y-Y



SECT:X-X
(SCALE:5-1)

44	45.5	30.8	31.9	26.1	29.6	54104-5092	50
		28.8	29.9	24.1	27.6	-4692	46
		28.3	29.4	23.6	27.1	-4592	45
		27.3	28.4	22.6	26.1	-4392	43
		25.8	26.9	21.1	24.6	-4092	40
		24.8	25.9	20.1	23.6	-3892	38
		23.8	24.9	19.1	22.6	-3692	36
		23.3	24.4	18.6	22.1	-3592	35
		22.8	23.9	18.1	21.6	-3492	34
		22.3	23.4	17.6	21.1	-3392	33
		21.8	22.9	17.1	20.6	-3292	32
		20.8	21.9	16.1	19.6	54104-3092	30
キャリアテープ幅 CARRIER TAPE WIDTH	E	D	C	B	A	MATERIAL NO.	CKT.

DO NOT SCALE DRAWING

64 NO. DRWN: CH'K: APPR:	63 NO. DRWN: CH'K: APPR:	62 NO. DRWN: CH'K: APPR:	変更 REVISD '02/10/015 61 NO. JZ003-0977 DRWN: K.TOJO CH'K: M.SASAO APPR: M.SASAO 新規作成 RELEASED '00/12/13 60 NO. JC2001-0415 DRWN: N.YANO CH'K: S.KUNISHI APPR: M.FUKUSHIMA	MATERIAL 材料 SHEET 1 OF 2 参照 REFER TO SHEET 1 OF 2	GENERAL TOLERANCES: (UNLESS SPECIFIED) 一般公差	SCALE DESIGN UNITS <input checked="" type="checkbox"/> mm <input type="checkbox"/> INCH	20° 25° 30° 20° 25° 30° 30° ANGLE 角度	DRAWN BY & DATE N.YANO '00/12/13	CHECKED BY & DATE S.KUNISHI '00/12/13	APPROVED BY & DATE M.FUKUSHIMA '00/12/13	DIMENSIONS: <input type="checkbox"/> mm <input type="checkbox"/> INCH <input checked="" type="checkbox"/> mm ONLY	SHT REV
64 NO. DRWN: CH'K: APPR:	63 NO. DRWN: CH'K: APPR:	62 NO. DRWN: CH'K: APPR:	A	FINISH 仕上げ	WIRE RANGE 適用線径範囲	INS. RANGE 被覆外径	DRAWN BY & DATE N.YANO '00/12/13	CHECKED BY & DATE S.KUNISHI '00/12/13	APPROVED BY & DATE M.FUKUSHIMA '00/12/13	DIMENSIONS: <input type="checkbox"/> mm <input type="checkbox"/> INCH <input checked="" type="checkbox"/> mm ONLY	SHT REV	
64 NO. DRWN: CH'K: APPR:	63 NO. DRWN: CH'K: APPR:	62 NO. DRWN: CH'K: APPR:	0	WIRE RANGE 適用線径範囲	INS. RANGE 被覆外径	DRAWN BY & DATE N.YANO '00/12/13	CHECKED BY & DATE S.KUNISHI '00/12/13	APPROVED BY & DATE M.FUKUSHIMA '00/12/13	DIMENSIONS: <input type="checkbox"/> mm <input type="checkbox"/> INCH <input checked="" type="checkbox"/> mm ONLY	SHT REV		

20° 25° 30°
 mm INCH
 mm ONLY

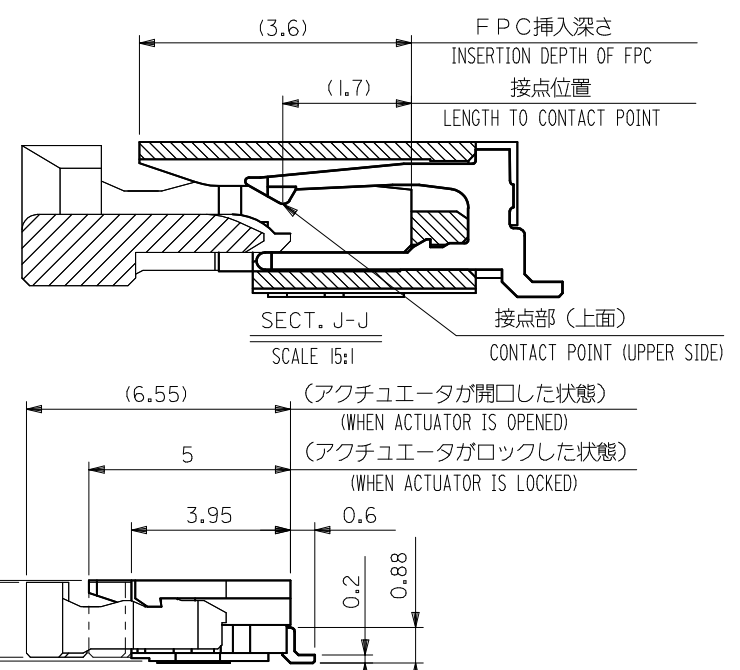
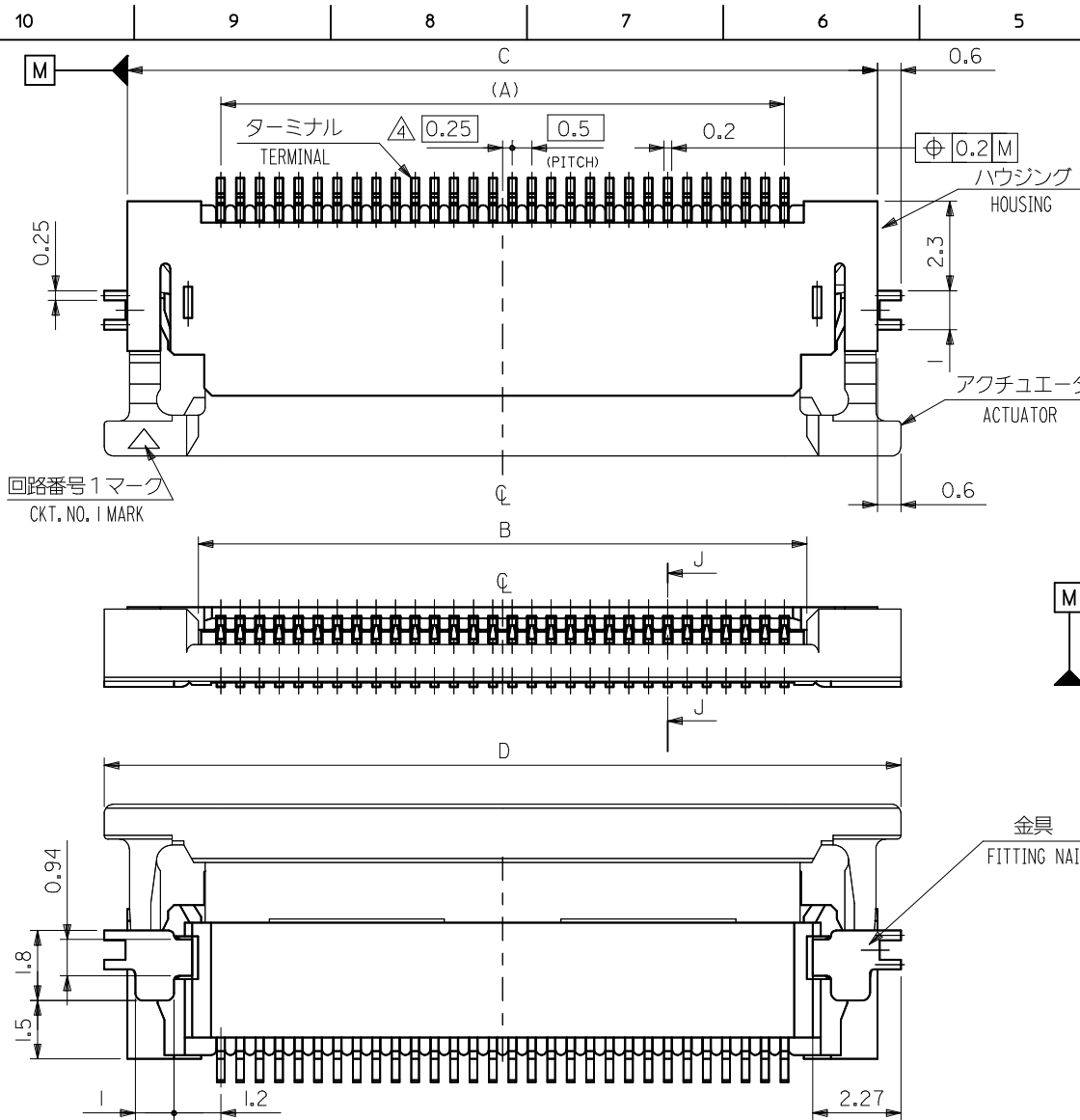
TITLE: Embstp Pkg for 0.5 FPC Conn Zif Hsg Assy

MOLEX INCORPORATED

CAD FILENAME: SD-54104-024.S02
 MATERIAL NO.: 54104-**92
 DRAWING NO.: SD-54104-024
 SHEET NO.: 2 OF 2

THIS DRAWING CONTAINS INFORMATION THAT IS PROPRIETARY TO MOLEX INCORPORATED AND SHOULD NOT BE USED WITHOUT WRITTEN PERMISSION.

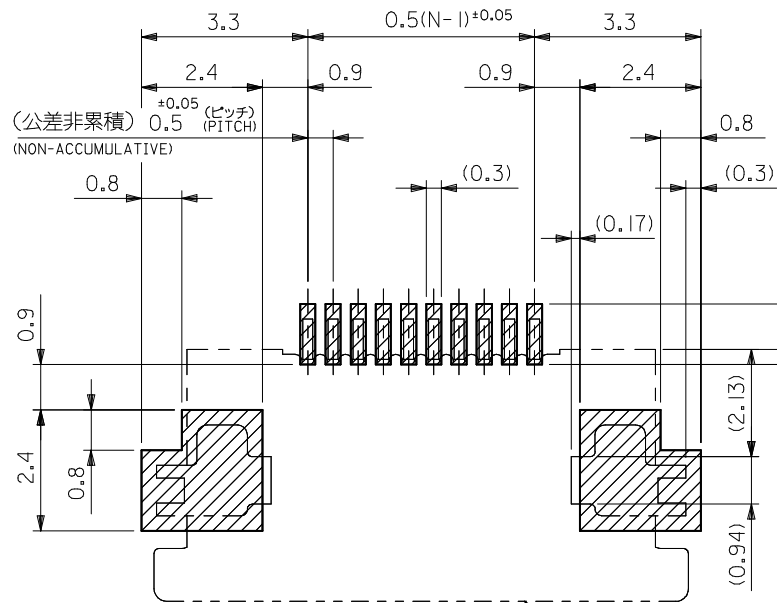
SIZE B



30.5	29.3	25.65	24.5	54104-5033	50
28.5	27.3	23.65	22.5	54104-4633	46
28.0	26.8	23.15	22.0	54104-4533	45
25.5	24.3	20.65	19.5	54104-4033	40
24.5	23.3	19.65	18.5	54104-3833	38
23.5	22.3	18.65	17.5	54104-3633	36
23.0	21.8	18.15	17.0	54104-3533	35
22.5	21.3	17.65	16.5	54104-3433	34
22.0	20.8	17.15	16.0	54104-3333	33
21.5	20.3	16.65	15.5	54104-3233	32
20.5	19.3	15.65	14.5	54104-3033	30
D	C	B	A	オーダー番号 ORDER NO.	CKT.

CONNECTOR SERIES NO. 54104-**22

RELEASED EC NO.: J2013-1003 DRWN:KNAGUMO 2012/09/03 CHKD:KTAKAHASHI 2012/09/06 APPR:KMORIKAWA 2013/03/15	GENERAL TOLERANCES (UNLESS SPECIFIED)		DIMENSION STYLE	SCALE	DESIGN UNITS	THIRD ANGLE PROJECTION 0.5MM FPC CONN ZIF R/A HOUSING ASSY (UPPER CONTACT)
	10 UNDER ± ---		MM ONLY	---	METRIC	
	10 OVER 30 UNDER ± ---		DRAWN BY DATE	TITLE		
	30 OVER ± ---		CHECKED BY DATE	0.5MM FPC CONN ZIF R/A HOUSING ASSY (UPPER CONTACT)		
DESCRIPTION ANGULAR ± --- ° DRAFT WHERE APPLICABLE MUST REMAIN WITHIN DIMENSIONS	APPROVED BY DATE		MATERIAL NO.		DOCUMENT NO.	SD-54104-083 SHEET NO. 1 OF 2
	KMORIKAWA 2013/03/15		SEE CHART			

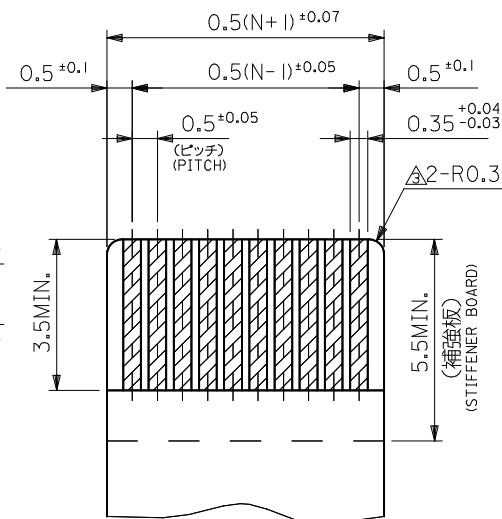


参考基板レイアウト
RECOMMENDED P.C.BOARD
PATTERN DIMENSION (REF.)
(マウント面)
(MOUNTING SIDE)

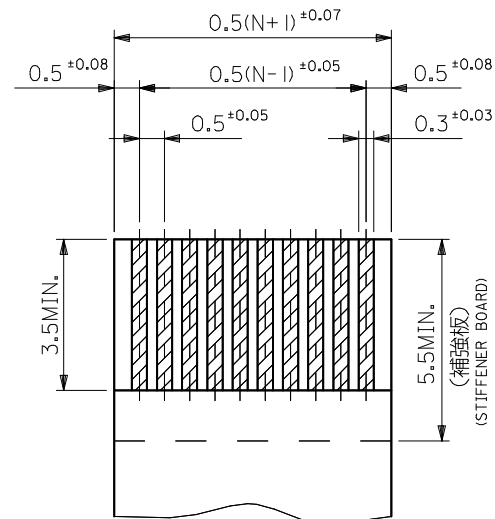
コネクタ位置
CONNECTOR POSITION

注記 NOTES

- 材質 MATERIAL
ハウジング : LCP (液晶ポリマー) , ガラス充填、白色、UL94V-0
HOUSING : LCP (LIQUID CRYSTAL POLYMER) , GLASS FILLED, WHITE, UL94V-0
アクチュエータ : PPS, ガラス充填、茶色、UL94V-0
ACTUATOR : PPS (POLYPHENYLENE SULFIDE) , GLASS FILLED, BROWN, UL94V-0
ターミナル : 銅合金 (t = 0.15)
TERMINAL : COPPER ALLOY (t = 0.15)
金具 : 銅合金 (t = 0.2)
NAIL * COPPER ALLOY (t = 0.2)
 - メッキ仕様 PLATING
ターミナル TERMINAL
錫銀ピスマスメッキ(1.0 μm以上)
TIN SILVER BISMUTH PLATING(1.0 MICROMETER MINIMUM)
下地メッキ : ニッケルメッキ(1.0 μm以上)
UNDER PLATING : NICKEL PLATING(1.0 MICROMETER MINIMUM)
金具 NAIL
半田メッキ(3.0 μm以上)
TIN-LEAD PLATING(3.0 MICROMETER MINIMUM)
下地メッキ : 銅メッキ(1.0 μm以上)
UNDER PLATING : COPPER PLATING(1.0 MICROMETER MINIMUM)
- ③ R0.3はFPCの導体部にかからないこと
R0.3 MUST NOT BE OVERLAPED TO PATTERN OF FPC.
- ④ 偶数極に適用
APPLY FOR EVEN CIRCUIT
- エンボスステップ梱包時は、アクチュエータがロックした状態とする。
IN THE PACKAGE, ACTUATOR OF PART NO.54104-***22 SHOULD BE LOCKED.
 - ソルダーテール及び金具の平坦度は、0.1ミリメートル以下とする。
SOLDER TAIL AND FITTING NAIL COPLANARITY TO BE 0.1MILLIMETERS.
 - ELV及びRoHS適合品
ELV & RoHS COMPLIANT



適合FPC推奨寸法
APPLICABLE FPC
RECOMMENDED DIMENSION
(仕上がり厚さ : 0.3±0.03)
(THICKNESS:0.3±0.03)



適合FFC推奨寸法
APPLICABLE FFC
RECOMMENDED DIMENSION
(仕上がり厚さ : 0.3±0.03)
(THICKNESS:0.3±0.03)

FPC/FFCについて ABOUT FPC/FFC

打ち抜き方向は導体側から補強板側を推奨します。
導体部については軟銅箔35 μmまたは50 μmを推奨します。
RECOMMENDED PUNCHING DIRECTION: FROM CONDUCTOR SIDE TO STIFFENER SIDE
RECOMMENDED CONDUCTOR SPEC: SOFT COPPER FOIL
RECOMMENDED CONDUCTOR THICKNESS: 35 MICROMETER OR 50 MICROMETER

FPCについてABOUT FPC

補強フィルム材質はポリイミドを推奨します。ベースフィルムは25 μmを推奨します。
接着剤は熱硬化接着剤を推奨します。
尚、接着剤の接点部への付着は導通不良の原因になりますので、染み出しが無い様、お願い致します。
RECOMMENDED STIFFENER MATERIAL: POLYIMIDE
RECOMMENDED BASE FILM THICKNESS: 25 MICROMETER
RECOMMENDED ADHESIVE: THERMOSETTING ADHESIVE
NOTE: PLEASE PUT APPROPRIATE AMOUNT OF ADHESIVE ON ADHEREND BECAUSE THERE IS A POSSIBILITY THAT THE EXTRA ADHESIVE CAUSES THE DEFECT IN ELECTRICAL CONTINUITY.

SEE SHEET 1 OF 2 EC NO: J2013-1003 DRWN:KNAGUMO 2012/09/03 CHKD:KTAKAHASHI 2012/09/06 APPR:KMORIKAWA 2013/03/15	DESCRIPTION	GENERAL TOLERANCES (UNLESS SPECIFIED)		DIMENSION STYLE MM ONLY		SCALE ---	DESIGN UNITS METRIC	THIRD ANGLE PROJECTION	
		10 UNDER	± ---	DRAWN BY KNAGUMO	DATE 2012/09/03	TITLE 0.5MM FPC CONN ZIF R/A HOUSING ASSY (UPPER CONTACT)			
		10 OVER 30 UNDER	± ---	CHECKED BY KTAKAHASHI	DATE 2012/09/06				
		30 OVER	± ---	APPROVED BY KMORIKAWA	DATE 2013/03/15				
REV	0	ANGULAR	± --- °	MATERIAL NO.		DOCUMENT NO.		SHEET NO.	
		DRAFT WHERE APPLICABLE MUST REMAIN WITHIN DIMENSIONS		SEE CHART		SD-54104-083		2 OF 2	
				THIS DRAWING CONTAINS INFORMATION THAT IS PROPRIETARY TO MOLEX INCORPORATED AND SHOULD NOT BE USED WITHOUT WRITTEN PERMISSION					