

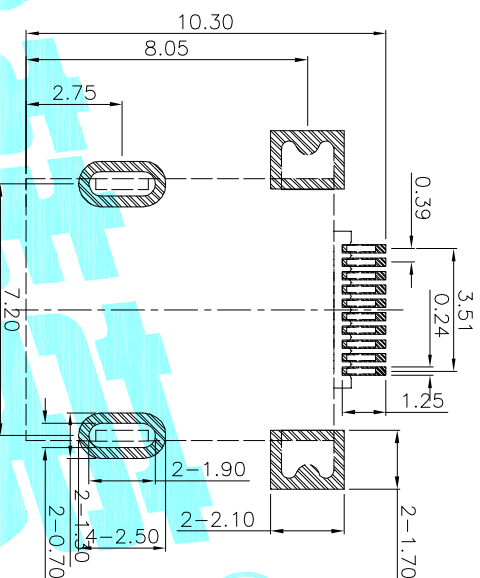
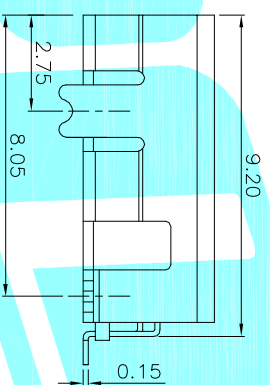
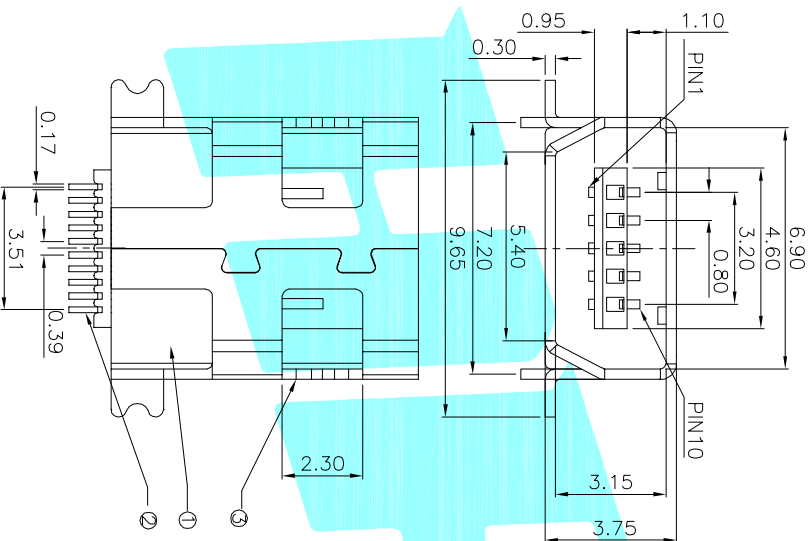
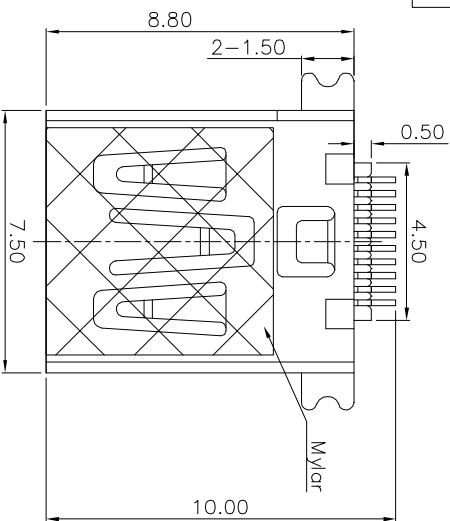
SPECIFICATIONS

- 1.RATING: DC30V 1.0A
- 2.MECHANICAL LIFE: 10,000 CYCLES.
- 3.PACKAGING: 1000PCS/REEL

ITEM	PART NAME	TER'NO.	QTY.	MATERIAL	FINISHING	REMARK
④	Dust-Proof	---	1	MYLAR	---	---
③	Shell	---	1	Phosphor Bronze	Sn Plated	---
②	Contact	---	10	Phosphor Bronze	Au Plated	---
①	Housing	---	1	LCP	Black	---

APPROVALS		DATE	TITLE:	
DRAWN	JKUN.LU	2014/6/17	ELECTRONICS CO.,LTD	
CHECKED			USB CONNECTOR	
APPROVALS			PART NO.	U-M-10SS-W-1

ECN NO.	REV.	DATE.	DESCRIPTION.	CHANGE.	CHECK.	APPRO.	TOLERANCES ARE	ANGLE	UNIT:	SCALE:	PROJ:	SHEET
	A		NEW				30~12.5 ±	±0.30	mm	1:1	PROJ:	1 OF 1
							10~30 ±	±0.25				
							5~10 ±	±0.20				
							~5 ±	±0.15				



SPECIFICATIONS

- 1.RATING: DC30V 1.0A
- 2.MECHANICAL LIFE: 10,000 CYCLES.
- 3.PACKAGING: 1000PCS/REEL

ITEM	PART NAME	TER'NO.	QTY.	MATERIAL	FINISHING	REMARK
④	Dust-Proof	---	1	MYLAR	---	---
③	Shell	---	1	Phosphor Bronze	Sn Plated	---
②	Contact	---	10	Phosphor Bronze	Ag Plated	---
①	Housing	---	1	LCP	Black	---

APPROVALS		DATE	TITLE:	
DRAWN	JKUNLU	2014/6/17	USB CONNECTOR	
CHECKED			ELECTRONICS CO.,LTD	

ECN NO.	REV.	DATE.	DESCRIPTION.	CHANGE.	CHECK.	APPRO.	TOLERANCES ARE	ANGLE	UNIT:	SCALE:	PROJ:	SHEET
	A		NEW				30~0.12±	±0.30	mm	1:1	U-M-10DS-W-1	1 OF 1
							10~0.30	±0.25				
							5~10	±0.20				
							~5	±0.15				