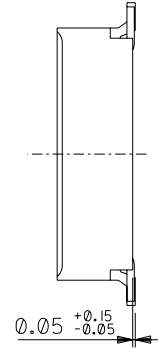
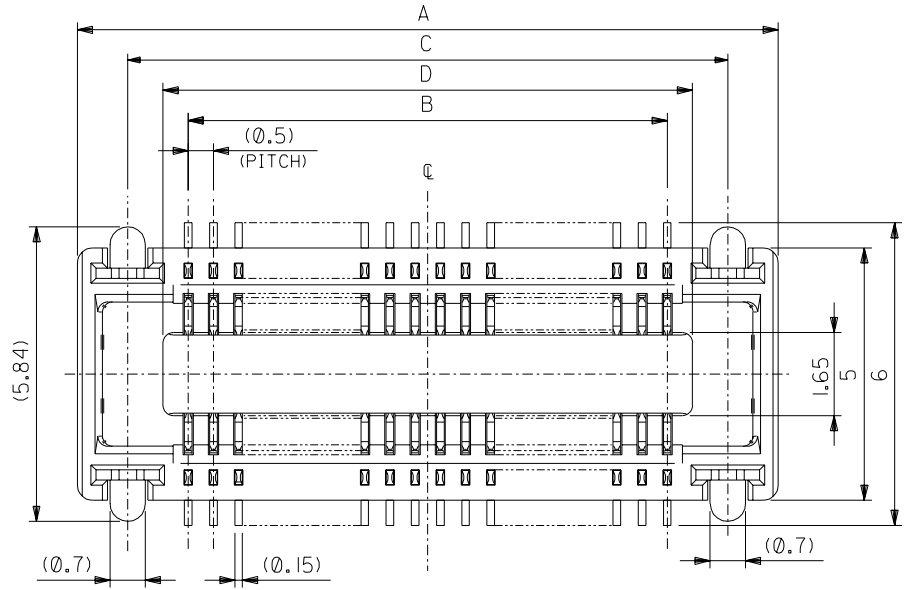
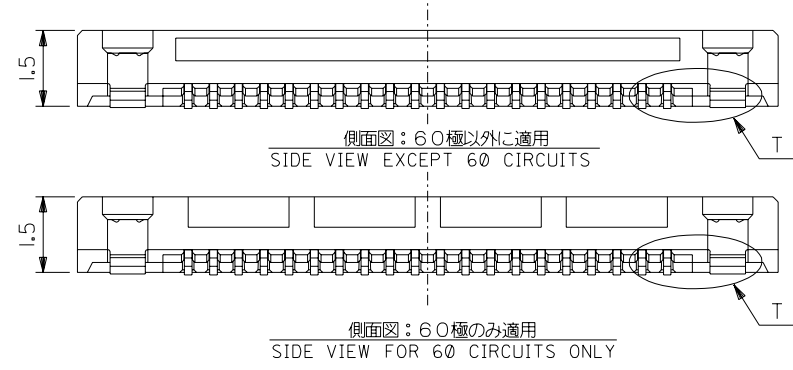


DWG. NO.
SD-54363-038



注記
NOTES:

1. 材質
MATERIAL
ハウジング: LCP (液晶ポリマー)、ガラス充填、黒色、UL 94V-0
HOUSING: LCP (LIQUID CRYSTAL POLYMER), GLASS FILLED, BLACK, UL 94V-0
ターミナル: 銅合金 (t=0.15)
TERMINAL: COPPER ALLOY (t=0.15)
ネイル: 銅合金 (t=0.2)
NAIL: COPPER ALLOY (t=0.2)
2. メッキ仕様
PLATING
ターミナル
TERMINAL
接点部: 金メッキ 0.25マイクロメートル以上
CONTACT AREA: GOLD 0.25 MICROMETER MINIMUM
半田付け部: 金メッキ 0.4マイクロメートル以下
SOLDER TAIL AREA: GOLD 0.4 MICROMETER MAXIMUM
下地メッキ: ニッケルメッキ 1.5マイクロメートル以上
UNDER PLATING: NICKEL 1.5 MICROMETER MINIMUM
ネイル
NAIL
鍍メッキ 3.0マイクロメートル以上
Sn 3.0 MICROMETER MINIMUM
下地メッキ: ニッケルメッキ 1.0マイクロメートル以上
UNDER PLATING: Ni 1.0 MICROMETER MINIMUM
3. テール平坦度は、0.08ミリメートル以下。テールとネイルを併せた平坦度は、0.1ミリメートル以下。
TAIL COPLANARITY TO BE 0.08 MAXIMUM. TAILS AND NAILS COPLANARITY TO BE 0.1 MAXIMUM.
4. 嵌合相手: 55299-**** (H=3mm)
55201-****, 55650-**** (H=2mm)
MATED CONN.: 55299-**** (H=3mm)
55201-****, 55650-**** (H=2mm)
5. この製品は54363-**01, (エンボス梱包品 54363-**08) の鉛フリー品です。
THIS PRODUCT IS 'LEAD FREE' OF 54363-**01, (EMBOSSSED TAPE PKG 54363-**08)



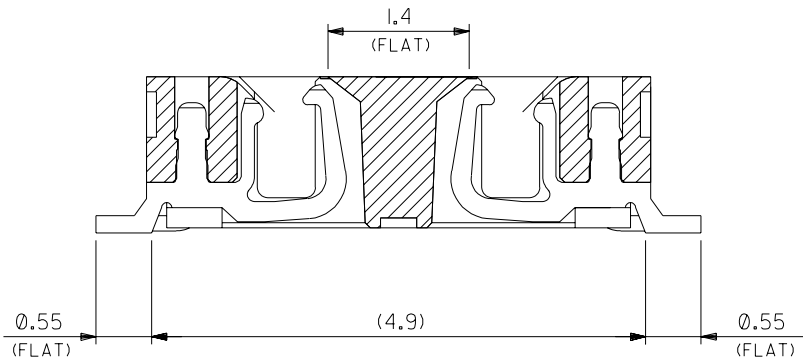
40.5	41.9	39.5	43.9	54363-1678	54363-1671	160	—
35.5	36.9	34.5	38.9	54363-1478	54363-1471	140	○
30.5	31.9	29.5	33.9	54363-1278	54363-1271	120	○
28	29.4	27	31.4	54363-1178	54363-1171	110	○
25.5	26.9	24.5	28.9	54363-1078	54363-1071	100	○
23	24.4	22	26.4	54363-0978	54363-0971	90	—
20.5	21.9	19.5	23.9	54363-0878	54363-0871	80	○
18	19.4	17	21.4	54363-0778	54363-0771	70	○
15.5	16.9	14.5	18.9	54363-0678	54363-0671	60	○
13	14.4	12	16.4	54363-0578	54363-0571	50	○
10.5	11.9	9.5	13.9	54363-0478	54363-0471	40	○
8	9.4	7	11.4	54363-0378	54363-0371	30	○
5.5	6.9	4.5	8.9	54363-0278	54363-0271	20	○

D	C	B	A	エンボス梱包品 EMBOSSSED TAPE PACKAGING	製品番号 MATERIAL NO.	極数 CIRCUITS	量産対応 AVAILABLE

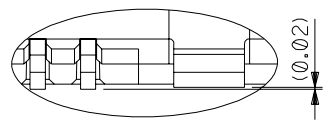
DO NOT SCALE DRAWING

EC NO. DRWN: CHK: APPR:	EC NO. DRWN: CHK: APPR:	EC NO. DRWN: CHK: APPR:	REVISED ECNNO. J2004-2225 DRWN: A.IDA '04/02/02 CHK: H.TAKASE APPR: J.MIYAZAWA/YO.ITO	RELEASED ECNNO. J2004-1740 DRWN: A.IDA '04/01/06 CHK: H.TAKASE APPR: J.MIYAZAWA/YO.ITO	MATERIAL 材料 注記参照 SEE NOTES	FINISH 仕上げ 注記参照 SEE NOTES	WIRE RANGE 適用線径範囲	INS. RANGE 被覆外径
			A	0				

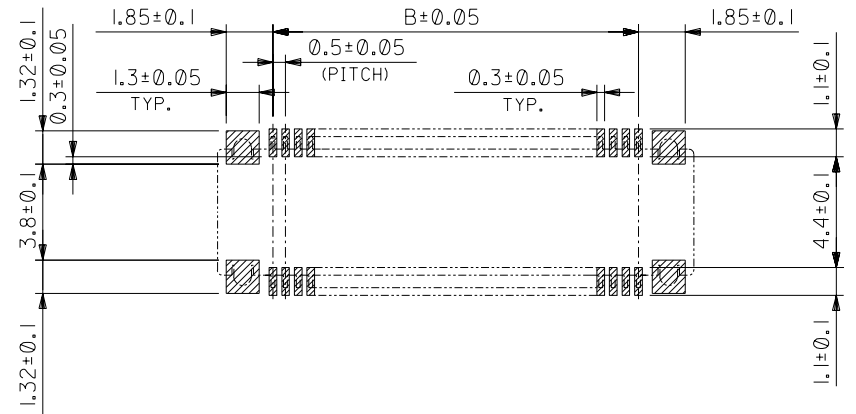
GENERAL TOLERANCES: (UNLESS SPECIFIED) 一般公差	SCALE 10-1	DESIGN UNITS <input checked="" type="checkbox"/> mm <input type="checkbox"/> INCH	THIRD ANGLE PROJECTION <input type="checkbox"/> mm <input type="checkbox"/> INCH <input checked="" type="checkbox"/> mm ONLY	SHT REV	REVISE ON CAD ONLY
10 UNDER 未満	±0.2	DRAWN BY & DATE A. Iida '04/01/06	TITLE: 0.5 mm PITCH B/B CONN. REC. HOUSING ASS'Y (H=2,3mm) WITH FITTING NAIL -LEAD FREE-		
10 OVER 以上	±0.25	CHECKED BY & DATE R. Takase '04/01/06			
30 OVER 以上	±0.3	APPROVED BY & DATE J. Mizuno / Y. Ito '04/01/06	MOLEX MOLEX INCORPORATED		
ANGLE 角度	±3°	CAD FILENAME SD-54363-038.S01	MATERIAL NO. SEE CHART	DRAWING NO. SD-54363-038	SHEET NO. 1 OF 2
THIS DRAWING CONTAINS INFORMATION THAT IS PROPRIETARY TO MOLEX INCORPORATED AND SHOULD NOT BE USED WITHOUT WRITTEN PERMISSION.					SIZE B



製品断面図 (半田付け部 吸着面寸法)
DETAIL FOR SOLDERING AND VACUUM AREA



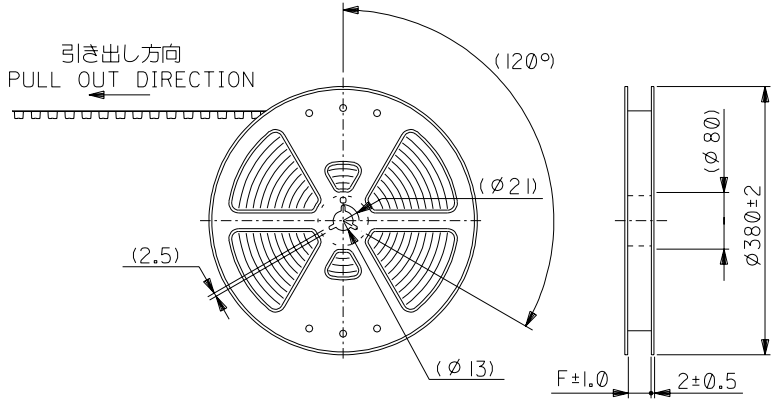
T部詳細
DETAIL T



推奨基板寸法
RECOMMENDED PCB PATTERN LAYOUT
(SCALE:5-1)

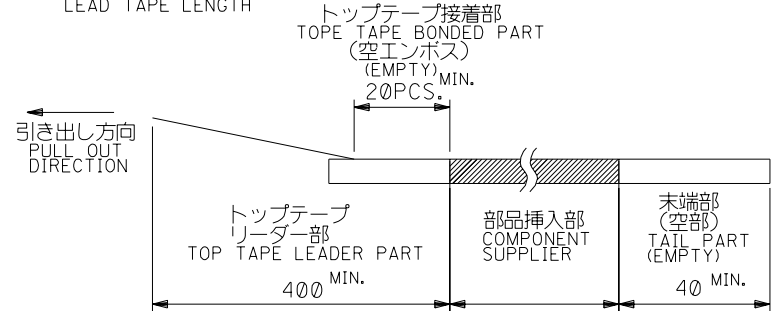
DO NOT SCALE DRAWING

EC NO. DRAWN: CHK'g: APPR:				EC NO. DRAWN: CHK'g: APPR:				EC NO. DRAWN: CHK'g: APPR:				EC NO. DRAWN: CHK'g: APPR:				SEE SHEET 1 OF 2		MATERIAL 材料		GENERAL TOLERANCES: (UNLESS SPECIFIED) 一般公差		SCALE 20-1		DESIGN UNITS <input checked="" type="checkbox"/> mm <input type="checkbox"/> INCH		THIRD ANGLE PROJECTION		DIMENSIONS: <input type="checkbox"/> mm <input type="checkbox"/> INCH <input checked="" type="checkbox"/> mm ONLY		SHT REV	
↑														注記参照 SEE NOTES		注記参照 SEE NOTES		10 UNDER 未満		±0.2		DRAWN BY & DATE A. Ida '04/01/06		TITLE: 0.5 mm PITCH B/B CONN. REC. HOUSING ASS'Y (H=2,3mm) WITH FITTING NAIL -LEAD FREE-		REVISE ON CAD ONLY					
																		10 OVER 30 UNDER 以上 未満		±0.25		CHECKED BY & DATE R. Takase '04/01/06									
																		30 OVER 以上		±0.3		APPROVED BY & DATE Y. Ota '04/01/06		MOLEX INCORPORATED							
																		WIRE RANGE 適用電線範囲		#		CAD FILENAME SD-54363-038.S02		MATERIAL NO. SEE CHART		DRAWING NO. SD-54363-038		SHEET NO. 2			
																		INS. RANGE 被覆外径		#		THIS DRAWING CONTAINS INFORMATION THAT IS PROPRIETARY TO MOLEX INCORPORATED AND SHOULD NOT BE USED WITHOUT WRITTEN PERMISSION.		SIZE B							



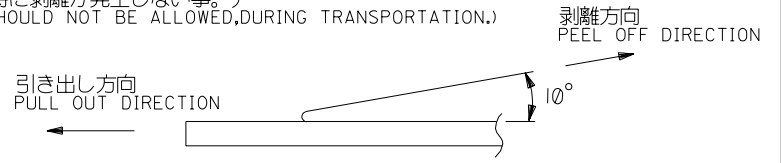
注)
NOTES

- 製品番号54363-***71 詳細寸法については、製品単体図面を参照下さい。
IN THE PACKAGE PART NUMBER 54363-***71 DETAILED DIMENSIONS, SEE SALES DRAWING FOR CONNECTOR.
- 梱包数量：2500個/リール
NUMBER OF CONNECTORS:2500 PCS/REEL.
- リードテープ長さ
LEAD TAPE LENGTH



- トップテープの剥離強度：(剥離方向は下図参照)
PEELING OFF FORCE OF TOP TAPE (PELLING DIRECTION AS SHOWN IN FOLLOWING FIGURE.)
0. 1~1. 3N (10~130gf)

尚、本規格値は、出荷時に適用。
THIS REQUIREMENT SHOULD BE APPLIED AT SHIPMENT.
(但し、輸送時に剥離が発生しない事。)
(PEEL OFF SHOULD NOT BE ALLOWED,DURING TRANSPORTATION.)

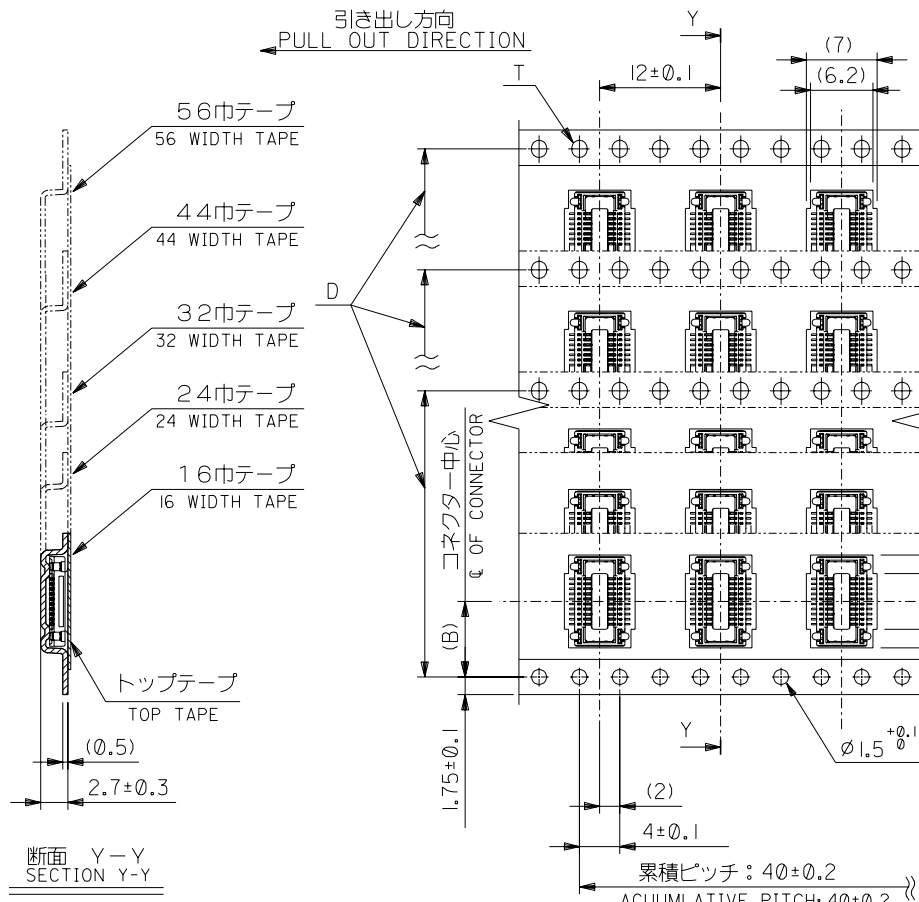


- 材料
MATERIAL
キャリアテープ：ポリプロピレン (PP)
CARRIER TAPE:POLYPROPYLENE(PP)
トップテープ：PET, PE, PEF
TOP TAPE:PET,PE,PEF
リール：ポリスチレン
REEL : POLYSTYRENE
- この製品は54363-***01, (エンボス梱包品 54363-***08) の鉛フリー品です。
THIS PRODUCTE IS 'LEAD FREE' OF 54363-***01, (EMBOSSD TAPE PKG 54363-***08)

DO NOT SCALE DRAWING

EC NO. DRWN: CHK: APPR:	EC NO. DRWN: CHK: APPR:	EC NO. DRWN: CHK: APPR:	REVISED	RELEASED	MATERIAL 材料	GENERAL TOLERANCES: (UNLESS SPECIFIED) 一般公差	SCALE NONE	DESIGN UNITS <input checked="" type="checkbox"/> mm <input type="checkbox"/> INCH	THIRD ANGLE PROJECTION	DIMENSIONS:		SHT	REV
			ECNO. J2004-2225 DRWN: A.IDA '04/02/02 CHK: H.TAKASE APPR:MIYAZAWA/YO.ITO	ECNNO. J2004-1740 DRWN: A.IDA '04/01/06 CHK: H.TAKASE APPR:MIYAZAWA/YO.ITO						<input type="checkbox"/> mm <input type="checkbox"/> INCH	<input checked="" type="checkbox"/> mm <input type="checkbox"/> ONLY		
A	0				注記参照 SEE NOTES	10 UNDER 未満	±0.2	DRAWN BY & DATE A. Iida '04/01/06	TITLE: 54363-***71 TAPING PACKAGE -LEAD FREE-				
					注記参照 SEE NOTES	10 OVER 30 UNDER 以上 未満	±0.25	CHECKED BY & DATE H. Takase '04/01/06	MOLEX MOLEX INCORPORATED				
					FINISH 仕上げ	30 OVER 以上	±0.3	APPROVED BY & DATE Y. Ito '04/01/06	MATERIAL NO. SEE CHART	DRAWING NO. SD-54363-039	SHEET NO. 1 OF 2		
					WIRE RANGE 適用層線範囲	ANGLE 角度	±3°	CAD FILENAME SD-54363-039.S01	THIS DRAWING CONTAINS INFORMATION THAT IS PROPRIETARY TO MOLEX INCORPORATED AND SHOULD NOT BE USED WITHOUT WRITTEN PERMISSION.				
					INS. RANGE 被覆外径							SIZE B	

DWG. NO.
SD-54363-039



57.5	56±0.3	52.4	44.2 39.2 34.2	26.2	40.55 35.55 30.55	54363-1678 54363-1478 54363-1278	160 140 120	— ○ ○
45.5	44±0.3	40.4	31.7 29.2 26.7 24.2	20.2	28.05 25.55 23.05 20.55	54363-1178 54363-1078 54363-0978 54363-0878	110 100 90 80	○ ○ — ○
33.5	32±0.3	28.4	21.7 19.2	14.2	18.05 15.55	54363-0778 54363-0678	70 60	○ ○
25.5	24±0.3	—	16.7 14.2 11.7	11.5	13.05 10.55 8.05	54363-0578 54363-0478 54363-0378	50 40 30	○ ○ ○
17.5	16±0.3	—	9.2	7.5	5.55	54363-0278	20	○
F	E キャリアテープ幅 CARRIER TAPE WIDTH	D	(C)	(B)	(A)	製品番号 MATERIAL NO.	極数 CIRCUITS	量産対応 AVAILABLE

DO NOT SCALE DRAWING

EC NO. DRWN: CHK: APPR:	EC NO. DRWN: CHK: APPR:	EC NO. DRWN: CHK: APPR:	EC NO. DRWN: CHK: APPR:	EC NO. DRWN: CHK: APPR:	SEE SHEET 1 OF 2 ECNNO. DRWN: CHK: APPR:	DESCRIPTION MATERIAL 材料 —#— FINISH 仕上げ —#— WIRE RANGE 適用配線範囲 —#— INS. RANGE 被覆外径 —#—
----------------------------------	----------------------------------	----------------------------------	----------------------------------	----------------------------------	--	--

GENERAL TOLERANCES: (UNLESS SPECIFIED) 一般公差	SCALE NONE	DESIGN UNITS <input checked="" type="checkbox"/> mm <input type="checkbox"/> INCH	THIRD ANGLE PROJECTION <input checked="" type="checkbox"/> mm <input type="checkbox"/> INCH <input type="checkbox"/> mm ONLY	SHT REV
10 UNDER 未滿	±0.2	DRAWN BY & DATE A. Iida 04/01/06	TITLE: 54363-***71 TAPING PACKAGE	—
10 OVER 以上	±0.25	CHECKED BY & DATE R. Takase 04/01/06	—LEAD FREE—	—
30 OVER 以上	±0.3	APPROVED BY & DATE Y. Iida 04/01/06	MOLEX MOLEX INCORPORATED	—
ANGLE 角度	±3°	CAD FILENAME SD-54363-039.S02	MATERIAL NO. SEE CHART	DRAWING NO. SD-54363-039
THIS DRAWING CONTAINS INFORMATION THAT IS PROPRIETARY TO MOLEX INCORPORATED AND SHOULD NOT BE USED WITHOUT WRITTEN PERMISSION.				SIZE B