

**PLEASE CHECK WWW.MOLEX.COM FOR LATEST PART INFORMATION**

**Part Number:** [1300940524](#)  
**Status:** **Active**  
**Overview:** [brad wire mesh grips](#)  
**Description:** Support Grips for Fiber Optics, Closed Mesh, Single Eye, Bale Length 4", Cable Diameter 7.62-9.91mm (.300-.390")

**Documents:**

[Drawing \(PDF\)](#) [RoHS Certificate of Compliance \(PDF\)](#)

**General**

Product Family	Cable Grips
Series	<a href="#">130094</a>
Eye Type	Single eye
Insulated	No
O-Ring	No
Overview	<a href="#">brad wire mesh grips</a>
Product Name	Fiber Optic
Type	Strain Relief Grips
Woodhead	Yes

**Physical**

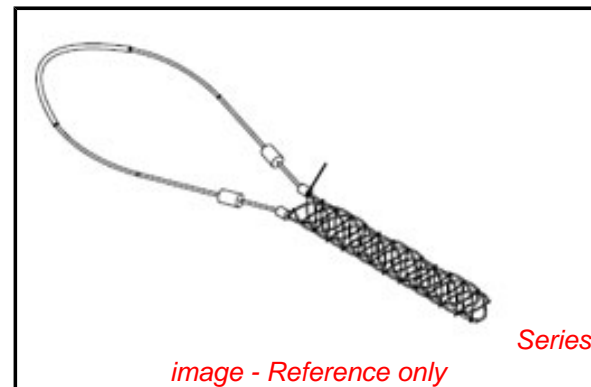
Approximate Break Strength	300 lbs
Bale Length	0.102m (4.00")
Body Style	N/A
Cable Diameter	7.62-9.91mm (.300-.390")
Color - Grommet	N/A
Gender	N/A
Material - Body	Aluminum
Material - Grip	Non-magnetic Tin Bronze Wire
Mesh Length	0.064m (2.50")
Number of Holes	N/A
Strain Relief Force	35 lbs
Thread Size	N/A

**Material Info**

Old Part Number 36672

**Reference - Drawing Numbers**

Sales Drawing SD-130094-001



**EU RoHS**

**ELV and RoHS  
Compliant**  
**REACH SVHC  
Not Reviewed**  
**Halogen-Free  
Status  
Not Reviewed**

**China RoHS**



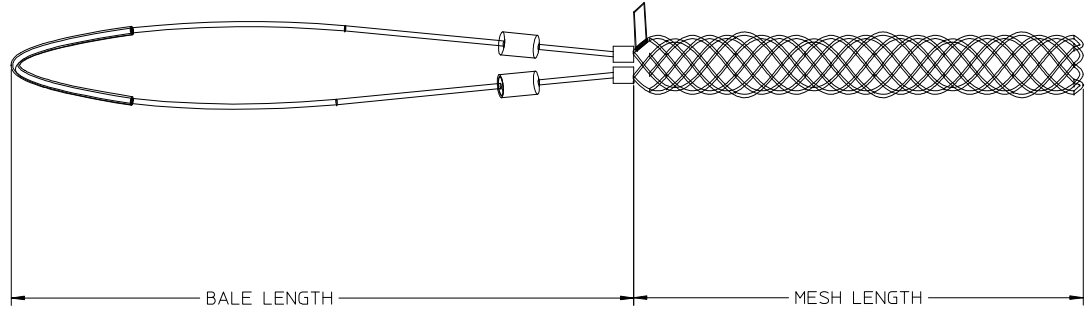
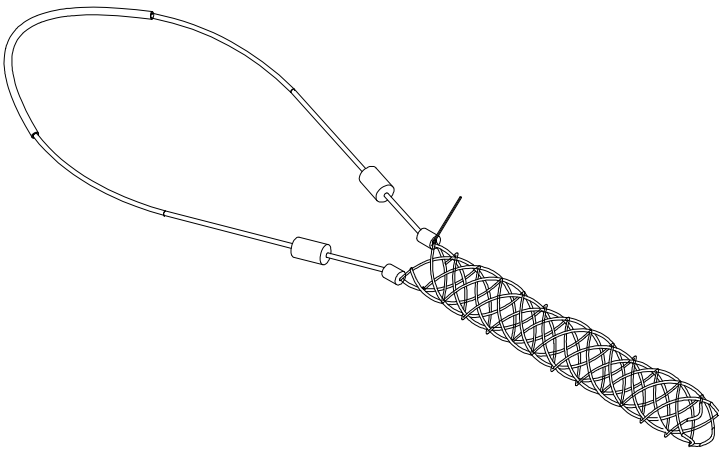
**Need more information on product  
environmental compliance?**

Email [productcompliance@molex.com](mailto:productcompliance@molex.com)  
 For a multiple part number RoHS Certificate of Compliance, [click here](#)

Please visit the [Contact Us](#) section for any non-product compliance questions.

**Search Parts in this Series**  
[130094Series](#)

OLD PART NO.	ORDER NO.	CABLE DIA. RANGE	BALE LENGTH	MESH LENGTH	APPROXIMATE BREAK STRENGTH
36670	130094-0522	.180-.250"	3.00"	1.70"	300 LBS
36671	130094-0523	.230-.320"	3.00"	2.50"	300 LBS
36672	130094-0524	.300-.390"	4.00"	2.50"	300 LBS
36673	130094-0525	.370-.480"	5.00"	4.00"	300 LBS
36674	130094-0526	.460-.580"	6.00"	4.00"	400 LBS
36675	130094-0527	.560-.710"	7.00"	5.50"	500 LBS
36676	130094-0528	.690-.880"	8.00"	6.00"	800 LBS



COMPONENT	MATERIAL	FINISH
FLAG LABEL	POLYESTER	SILVER
FERRULE	STAINLESS STEEL	PASSIVATE
.030 WIRE 1X7LHLAY MESH	BRONZE	TINNED
.075 WIRE 1X7LHLAY BALE	BRONZE	TINNED
.187X1.000 SLEEVE	STAINLESS STEEL	PASSIVATE

ENTER DESCRIPTION EC NO: WNA2009-0481 DRWNSGARCIA 2009/03/31 CHKD: B WOODMAN APPR: J MURPHY 2009/04/01 REV A	DESCRIPTION 2009/04/01	QUALITY SYMBOLS ▽=0 ▽=0
	GENERAL TOLERANCES (UNLESS SPECIFIED) 4 PLACES ± --- INCH 3 PLACES ± --- INCH 2 PLACES ± --- INCH 1 PLACE ± --- INCH ANGULAR ±1/2°	DIMENSION STYLE IN/MM
	DRAWN BY SGARCIA DATE 02/11/09	CHECKED BY B WOODMAN DATE 02/11/09
	APPROVED BY JFMURPHY DATE 02/11/09	MATERIAL NO. SEE CHART

SCALE 1:10	DESIGN UNITS INCH	THIRD ANGLE PROJECTION
TITLE SUPPORT GRIPS FOR FIBER OPTICS		
MOLEX INCORPORATED		SHEET NO. 1 OF 1
DOCUMENT NO. SD-130094-001		
THIS DRAWING CONTAINS INFORMATION THAT IS PROPRIETARY TO MOLEX INCORPORATED AND SHOULD NOT BE USED WITHOUT WRITTEN PERMISSION		