



● FEATURE

1. High current and multiple size availability
2. High reliability due to an entirely monolithic structure
3. Low DC resistance structure of electrode prevents wasteful electric power consumption
4. Suppress EMI/RFI and to prevent self-oscillation in electronic products



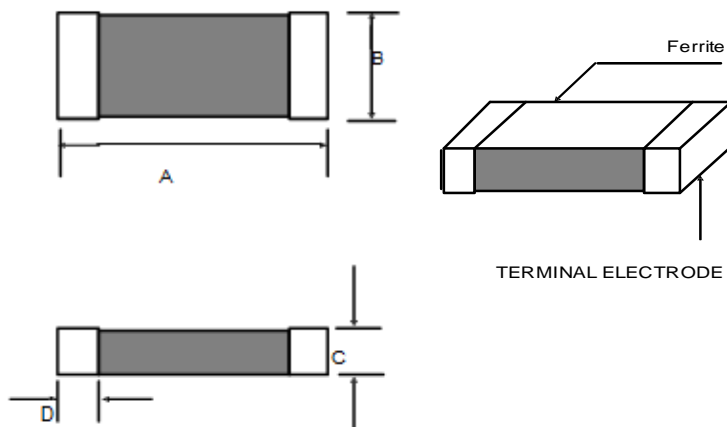
● APPLICATION

1. Hard drives, portable equipment
2. Monitors, modem, PCs
3. CD-ROM, Printers

● ORDERING INFORMATION

FBP160808    U    300    -    3A  
 PN            Material    Impedance(Ω)    Current

● SHAPE AND DIMENSION



● SPECIFICATION

Dimension in mm(in inches)

| TYPE         | A                     | B                      | C                     | D        |
|--------------|-----------------------|------------------------|-----------------------|----------|
| 100505(0402) | 1.0±0.10(0.039±0.004) | 0.50±0.10(0.020±0.004) | 0.5±0.10(0.020±0.004) | 0.2±0.10 |
| 160808(0603) | 1.6±0.15(0.063±0.006) | 0.80±0.15(0.031±0.006) | 0.8±0.15(0.031±0.006) | 0.5±0.30 |
| 201209(0805) | 2.0±0.20(0.079±0.008) | 1.25±0.20(0.049±0.008) | 0.9±0.20(0.035±0.008) | 0.5±0.30 |
| 321611(1206) | 3.2±0.20(0.126±0.008) | 1.60±0.20(0.063±0.008) | 1.1±0.20(0.043±0.008) | 0.7±0.30 |
| 322513(1210) | 3.2±0.20(0.126±0.008) | 2.50±0.20(0.098±0.008) | 1.3±0.20(0.051±0.008) | 0.8±0.30 |
| 451616(1806) | 4.5±0.20(0.177±0.008) | 1.60±0.20(0.063±0.008) | 1.6±0.20(0.063±0.008) | 0.8±0.30 |
| 453215(1812) | 4.5±0.20(0.177±0.008) | 3.20±0.20(0.126±0.008) | 1.5±0.20(0.042±0.008) | 0.8±0.30 |

Note: Test equipment: HP 4291A Impedance analyzer



●ELECTRICAL CHARACTERISTICS

| <b>PART NUMBER</b>  | <b>Impedance(<math>\Omega</math>) <math>\pm 25\%</math> at 100MHz</b> | <b>DC Resistance(<math>\Omega</math>)Max</b> | <b>Rated Current (mA) Max</b> |
|---------------------|---|--|-------------------------------|
| FBP100505U100-2A    | 10  | 0.05   | 2000                          |
| FBP100505U600-0.3A  | 60  | 0.40   | 300                           |
| FBP100505U121-2A    | 120   | 0.15   | 2000                          |
| FBP100505U221-0.7A  | 220   | 0.40   | 700                           |
| FBP100505U221-1A    | 220   | 0.40   | 1000                          |
| FBP100505U601-0.3A  | 600   | 0.60   | 300                           |
| FBP100505U601-0.5A  | 600   | 0.60   | 500                           |
| FBP100505U102-0.25A | 1000  | 1.50   | 250                           |
| FBP100505U102-0.3A  | 1000  | 1.20   | 300                           |
| FBP100505U102-0.5A  | 1000  | 1.20   | 500                           |
| FBP160808U100-4A    | 10  | 0.03   | 4000                          |
| FBP160808U300-1A    | 30  | 0.04   | 1000                          |
| FBP160808U300-3A    | 30  | 0.04   | 3000                          |
| FBP160808U600-3A    | 60  | 0.05   | 3000                          |
| FBP160808U680-1A    | 68  | 0.10   | 1000                          |
| FBP160808U121-1A    | 120   | 0.05   | 1000                          |
| FBP160808U121-2A    | 120   | 0.10   | 2000                          |
| FBP160808U121-2.5A  | 120   | 0.10   | 2500                          |
| FBP160808U121-3A    | 120   | 0.04   | 3000                          |
| FBP160808U271-1.2A  | 270   | 0.45   | 1200                          |
| FBP160808U601-1A    | 600   | 0.30   | 1000                          |
| FBP160808U601-2A    | 600   | 0.30   | 2000                          |



| <b>PART NUMBER</b> | <b>Impedance(<math>\Omega</math>) <math>\pm 25\%</math> at 100MHz</b> | <b>DC Resistance(<math>\Omega</math>)Max</b> | <b>Rated Current (mA) Max</b> |
|--------------------|---|--|-------------------------------|
| FBP201209U110-3A   | 11  | 0.03   | 3000                          |
| FBP201209U170-3A   | 17  | 0.03   | 3000                          |
| FBP201209U300-3A   | 30  | 0.03   | 3000                          |
| FBP201209U300-5A   | 30  | 0.04   | 5000                          |
| FBP201209U310-3A   | 31  | 0.03   | 3000                          |
| FBP201209U320-3A   | 32  | 0.03   | 3000                          |
| FBP201209U470-3A   | 47  | 0.03   | 3000                          |
| FBP201209U520-3A   | 52  | 0.03   | 3000                          |
| FBP201209U600-3A   | 60  | 0.04   | 3000                          |
| FBP201209U800-3A   | 80  | 0.04   | 3000                          |
| FBP201209U121-3A   | 120   | 0.05   | 3000                          |
| FBP201209U121-5A   | 120   | 0.10   | 5000                          |
| FBP201209U301-1A   | 300   | 0.20   | 1000                          |
| FBP201209U301-3A   | 300   | 0.05   | 3000                          |
| FBP201209U601-1A   | 600   | 0.30   | 1000                          |
| FBP201209U102-1A   | 1000  | 0.30   | 1000                          |



| <b>PART NUMBER</b> | <b>Impedance(<math>\Omega</math>) <math>\pm 25\%</math> at 100MHz</b> | <b>DC Resistance(<math>\Omega</math>)Max</b> | <b>Rated Current (mA) Max</b> |
|--------------------|---|--|-------------------------------|
| FBP321611U310-3A   | 31  | 0.03   | 3000                          |
| FBP321611U520-3A   | 52  | 0.03   | 3000                          |
| FBP321611U600-1.5A | 60  | 0.03   | 1500                          |
| FBP321611U600-3A   | 60  | 0.03   | 3000                          |
| FBP321611U700-3A   | 70  | 0.04   | 3000                          |
| FBP321611U101-2A   | 100   | 0.04   | 3000                          |
| FBP321611U151-3A   | 150   | 0.05   | 3000                          |
| FBP321611U301-3A   | 300   | 0.06   | 3000                          |
| FBP321611U601-1A   | 600   | 0.30   | 1000                          |
| FBP321611U601-1.5A | 600   | 0.09   | 1500                          |
| FBP321611U601-3A   | 600   | 0.10   | 3000                          |
| FBP321611U102-1A   | 1000  | 0.30   | 1000                          |
| FBP451616U600-3A   | 60  | 0.04   | 3000                          |
| FBP451616U800-3A   | 80  | 0.04   | 3000                          |
| FBP451616U101-3A   | 100   | 0.04   | 3000                          |
| FBP451616U601-3A   | 600   | 0.06   | 3000                          |
| FBP451616U851      | 850(at 50 MHz)  | 0.10   | 1500                          |
| FBP453215U121      | 120   | 0.04   | 3000                          |
| FBP453215U151      | 150   | 0.04   | 3000                          |
| FBP453215U132      | 1300(at 30 MHz)   | 0.06   | 3000                          |