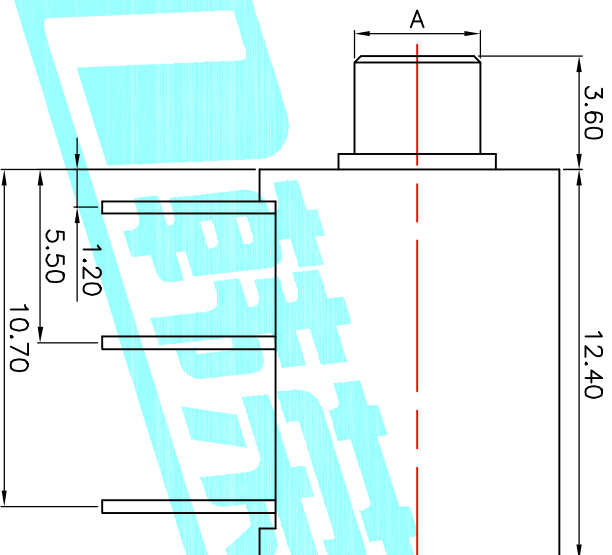
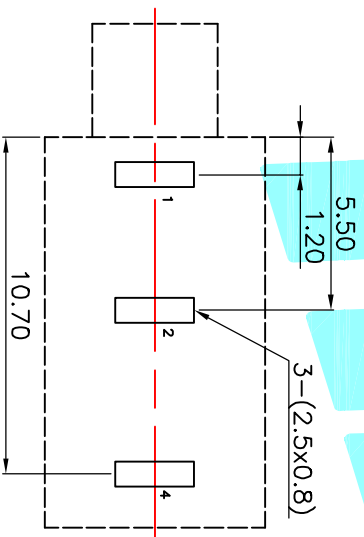


P.C.B Layout (copper-sided view)



Model NO	A=φ4	PJ-2105-A
	A=M4XP0.5	PJ-2105A-A
Schematic		

Rating:0.5A 30V DC
 Contact Resistance:100 mΩ Max.
 Operating temperature:-20℃~70℃
 Operating force:3-20N
 Operating Life:5,000cycles

ECN NO.	REV.	DATE.	DESCRIPTION.	CHANGE.	CHECK.	APPRO.																																																																													
	A		NEW																																																																																
<table border="1"> <tr> <td>② Terminal</td> <td>—</td> <td>3</td> <td>Phosphor bronze</td> <td>Au Plating</td> <td>—</td> <td>—</td> </tr> <tr> <td>① Housing</td> <td>—</td> <td>1</td> <td>Nylon</td> <td>Black</td> <td>—</td> <td>—</td> </tr> <tr> <td>ITEM</td> <td>PART NAME</td> <td>TER'NO.</td> <td>QTY.</td> <td>MATERIAL</td> <td>FINISHING</td> <td>REMARK</td> </tr> <tr> <td colspan="2">APPROVALS</td> <td>DATE</td> <td colspan="4">TITLE: PHONE JACKES</td> </tr> <tr> <td colspan="2">DRAWN</td> <td>J.X.Zhang</td> <td>2013/11/11</td> <td colspan="3">ELECTRONICS CO.,LTD</td> </tr> <tr> <td colspan="2">CHECKED</td> <td></td> <td colspan="2">PART NO.</td> <td colspan="2">PJ-2105</td> </tr> <tr> <td colspan="2">APPROVALS</td> <td></td> <td colspan="2">SCALE: 1:1</td> <td colspan="2">PROJ-4</td> </tr> <tr> <td colspan="2">TOLERANCES ARE</td> <td>30~0.15</td> <td>±0.30</td> <td>ANGLE</td> <td colspan="2">—</td> </tr> <tr> <td colspan="2"></td> <td>10~0.30</td> <td>±0.20</td> <td>UNIT: mm</td> <td colspan="2">—</td> </tr> <tr> <td colspan="2"></td> <td>5~10</td> <td>±0.15</td> <td>DRAWING NO.</td> <td colspan="2">—</td> </tr> <tr> <td colspan="2"></td> <td>~5</td> <td>±0.10</td> <td>SHEET</td> <td colspan="2">1 OF 1</td> </tr> </table>							② Terminal	—	3	Phosphor bronze	Au Plating	—	—	① Housing	—	1	Nylon	Black	—	—	ITEM	PART NAME	TER'NO.	QTY.	MATERIAL	FINISHING	REMARK	APPROVALS		DATE	TITLE: PHONE JACKES				DRAWN		J.X.Zhang	2013/11/11	ELECTRONICS CO.,LTD			CHECKED			PART NO.		PJ-2105		APPROVALS			SCALE: 1:1		PROJ-4		TOLERANCES ARE		30~0.15	±0.30	ANGLE	—				10~0.30	±0.20	UNIT: mm	—				5~10	±0.15	DRAWING NO.	—				~5	±0.10	SHEET	1 OF 1	
② Terminal	—	3	Phosphor bronze	Au Plating	—	—																																																																													
① Housing	—	1	Nylon	Black	—	—																																																																													
ITEM	PART NAME	TER'NO.	QTY.	MATERIAL	FINISHING	REMARK																																																																													
APPROVALS		DATE	TITLE: PHONE JACKES																																																																																
DRAWN		J.X.Zhang	2013/11/11	ELECTRONICS CO.,LTD																																																																															
CHECKED			PART NO.		PJ-2105																																																																														
APPROVALS			SCALE: 1:1		PROJ-4																																																																														
TOLERANCES ARE		30~0.15	±0.30	ANGLE	—																																																																														
		10~0.30	±0.20	UNIT: mm	—																																																																														
		5~10	±0.15	DRAWING NO.	—																																																																														
		~5	±0.10	SHEET	1 OF 1																																																																														