

PMP30 Series

25-30 WATTS SINGLE OUTPUT AC/DC MEDICAL

Features

- **Input surge current protection.**
- **Overvoltage protection.**
- **Overcurrent protection.**
- **Short-circuit protection with auto recovery.**
- **100% burn-in at full rated load.**



Specifications

INPUT

Input Voltage	90-264Vac
Frequency	47Hz–67Hz
Input Current	0.80A (rms) for 115Vac. 0.50A (rms) for 230Vac.
Leakage current	90µA max. @ 115Vac. 60Hz. 150µA max. @ 230Vac. 50Hz.
Isolation	Input – Output: 4000Vac Input – Ground: 1500Vac Output – Ground: 500Vac
Inrush Current	15A @ 115V, 30A @ 230V

OUTPUT

Output Voltage	See table
Output Current	See table
Ripple & Noise	1% peak to peak
Line Regulation	±0.5% maximum at full load.
Load Regulation	See table
Transient Response	Max. deviation 4% recovering to 1% within 500µs after 25% load charge
Overvoltage Protection	Provided on V1 only. Set at 110%–132% of nominal.
Overcurrent Protection	All outputs protected for short circuit conditions
Temperature Coefficient	All outputs ±0.04% per °C.
Holdup Time	Typically 20ms at 115Vac.

OPERATING

MTBF	400,000 hrs @ 25°C
Efficiency	65-70% minimum.

ENVIRONMENTAL

Operating Temperature	0°C to 70°C
Derating	Derate to 50% at 70°C
Storage Temperature	-40°C to 85°C
Relative Humidity	5%–95% non-condensing

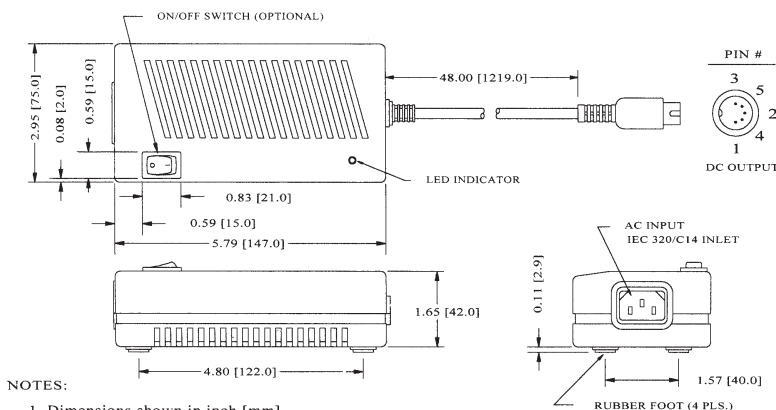
STANDARDS AND APPROVALS

Safety standards	UL2601-1, CSA C22.2, TUV EN60601-1
C-Tick	AS/NZS CISPR11 Group 1, Class A
EMC standards	EN60601-1-2: 2001, EN61000-3-2, -3, EN61000-4-2, -3, -4, -5, -6, -8, -11
EMI standards	EN55011 Class B, FCC Class B, VCCI Class B
MEPS compliance	TBC

MECHANICAL

Dimensions	147x75x42mm
Weight	0.55kgs approx.

Technical Illustration



NOTES:

1. Dimensions shown in inch [mm]
2. Tolerance 0.02 [0.5] maximum
3. Weight: 0.55 Kgs (1.21 Lbs.) approx.

PMP30 Series

25-30 WATTS SINGLE OUTPUT AC/DC MEDICAL

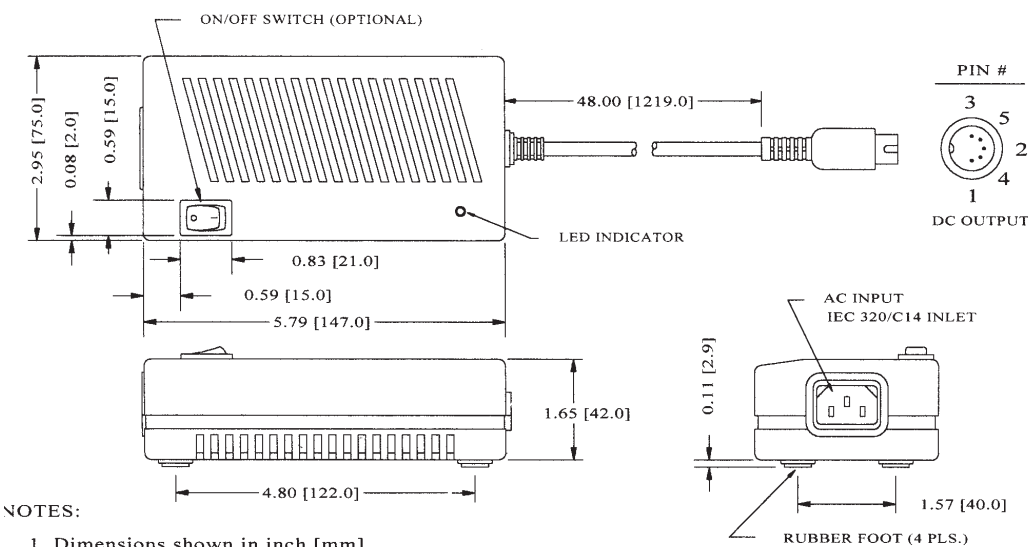
Selection Table

MODEL NUMBER	V _{NOM}	OUTPUT #1			TOL	MAX.
		I _{MIN}	I _{MAX}	POWER		
PMP30-10	5-6V	0A	5.0A	5%	25W	
PMP30-10-1	6-8V	0A	4.5A	5%	30W	
PMP30-11	9-11V	0A	3.4A	2%	30W	
PMP30-12	11-13V	0A	2.8A	2%	30W	
PMP30-13	13-17V	0A	2.4A	2%	30W	
PMP30-13-1	17-21V	0A	1.8A	2%	30W	
PMP30-14	21-27V	0A	1.5A	2%	30W	
PMP30-16	27-33V	0A	1.2A	2%	30W	
PMP30-17	33-39V	0A	1.0A	2%	30W	
PMP30-17	48V	0A	0.7A	2%	30W	

Pin Chart

MODEL/PIN	1	2	3	4	5
PMP30-10					
PMP30-10-1					
PMP30-11	Return	Return	Output	Return	Output
PMP30-12					
PMP30-13					

Technical Illustration



NOTES:

1. Dimensions shown in inch [mm]
2. Tolerance 0.02 [0.5] maximum
3. Weight: 0.55 Kgs (1.21 Lbs.) approx.
4. See pages 6-1 to 6-4 for optional output connectors. Add the suffix assigned for a selected connector to a wanted model number, e.g. PMP30-12-B1, for ordering.