

INTEGRATED CO SIDE HYBRID FILTER
P/N: VD-7018K DATA SHEET



Bothhand USA. e-mail: sales@bothhandusa.com http://www.bothhand.com

Feature



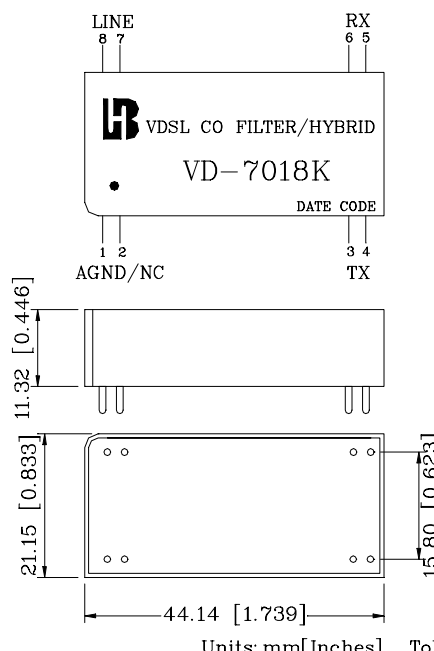
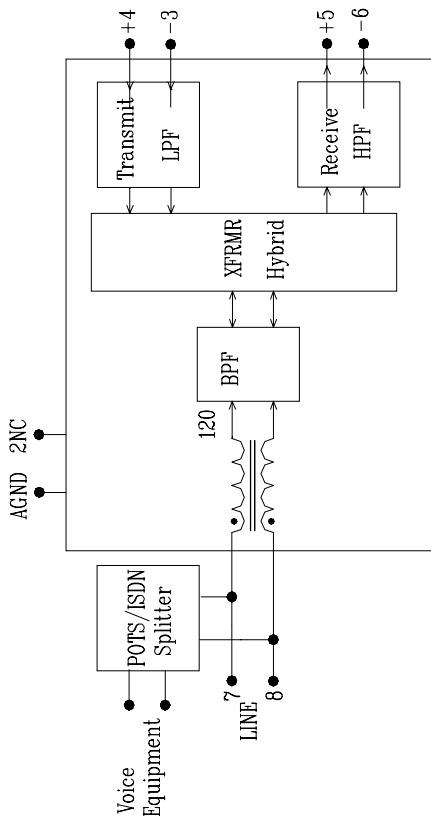
- Operating Temperature: -10°C to +60°C.
- Storage Temperature: -25°C to +75°C.

| Electrical Specifications @ 25°C | | | | | |
|----------------------------------|----------------------|-----------------------------------|-----------------------------------|-----------|---------------|
| Part Number | Description | Pass band Insertion loss (dB Max) | Stop band Insertion loss (dB Min) | | Impedance (Ω) |
| | | 4.2M ~ 7.8 MHz | 900K ~ 3 MHz | 3M-3.3MHz | |
| VD-7018K | Transmit HPF TO LINE | -5.5 | -40 | -30 | 270 |

| Additional Specifications | | | | | | |
|---------------------------|---------------------|-----------------------------------|-----------------------------------|--------------|-------------|---------------|
| Part Number | Description | Pass band Insertion loss (dB Max) | Stop band Insertion loss (dB Min) | | | Impedance (Ω) |
| | | 900K ~ 3.3 MHz | 4.2K ~ 7.8MHz | 20K ~ 600KHz | 600K~700KHz | |
| VD-7018K | Receive LPF TO LINE | -7 | -15 | -45 | -30 | 40 |

Schematic

Mechanical



| PIN | ALLOCATION |
|-----|------------|
| 1 | AGND |
| 2 | NC |
| 3 | TX- |
| 4 | TX+ |
| 5 | RX+ |
| 6 | RX- |
| 7 | LINE |
| 8 | LINE |

