

# APPLIED CONCEPTS INC.

397 Route 281 - P.O. BOX 453  
Tully, New York 13159-0453  
Phone: (315) 696-6676 Fax: (315) 696-6019  
www.acipower.com

# AC5-12-1316

## PRODUCT DATA SHEET

06/11/02

## CCFL INVERTER

(For Multiple Tube Applications)

The AC5-12-1316 is designed to power 8 CCFL's to a nominal power level of 33 watts.

Enable control is accomplished at pin 3 of CON1 (0V=off, 5V=on).

Intensity control (0-100%) is accomplished by the user providing A variable dc level of 0V (off) to 5V (full on) at pin 5 of con1

All outputs are open and short circuit protected.

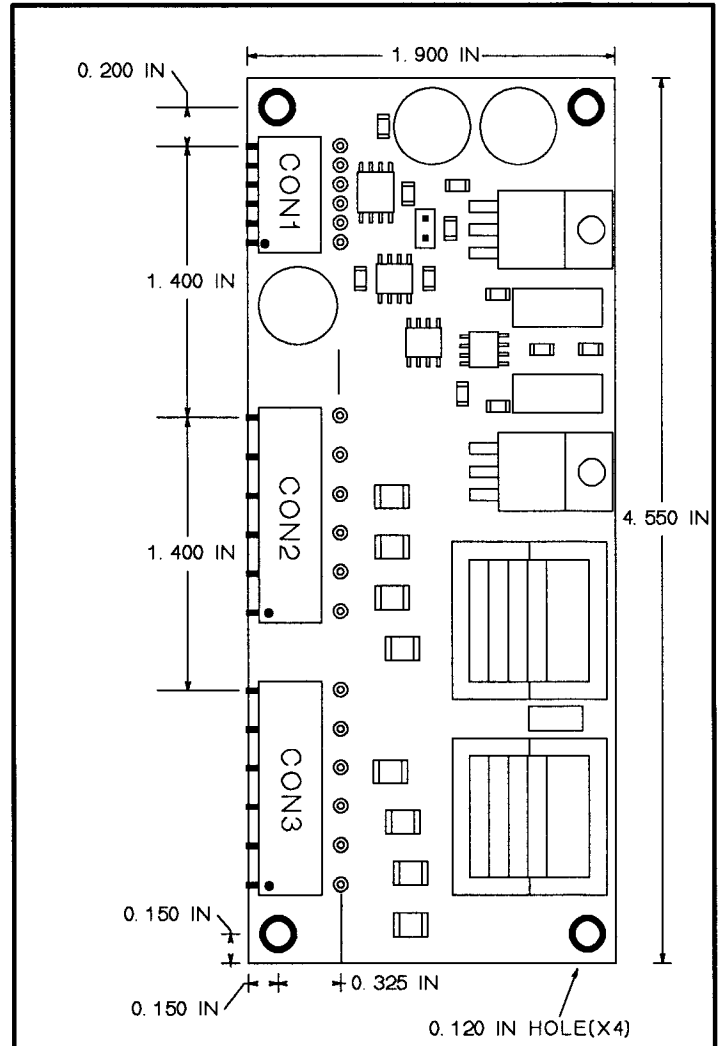
### Specifications:

- Vin = +12V +/- 10%
- CCFL strike voltage = 1800Vrms @ Vin=12V
- CCFL tube current = 7.6 mA/tube @ 100% intensity/Vin=12V)
- Recommended CCFL sustaining voltage = 500Vrms - 600Vrms
- Nominal tube current frequency = 55khz +/- 10%
- Nominal pwm frequency = 98Hz +/- 3%
- Pwm duty cycle range = 0 to 100%
- Average electrical efficiency >90%
- External PWM signal input control via enable pin
- Output PWM sync signal @ pin 6 of CON1 (for master/slave operation).

### Additional control capability:\*

- Supports multiple units ie:Master/Slave(s)
- Synchronization to display frame-rate
- Low power sleep-mode and soft-start
- UL 1950 Recognized (File NO. E201813)

\* Please contact factory for information

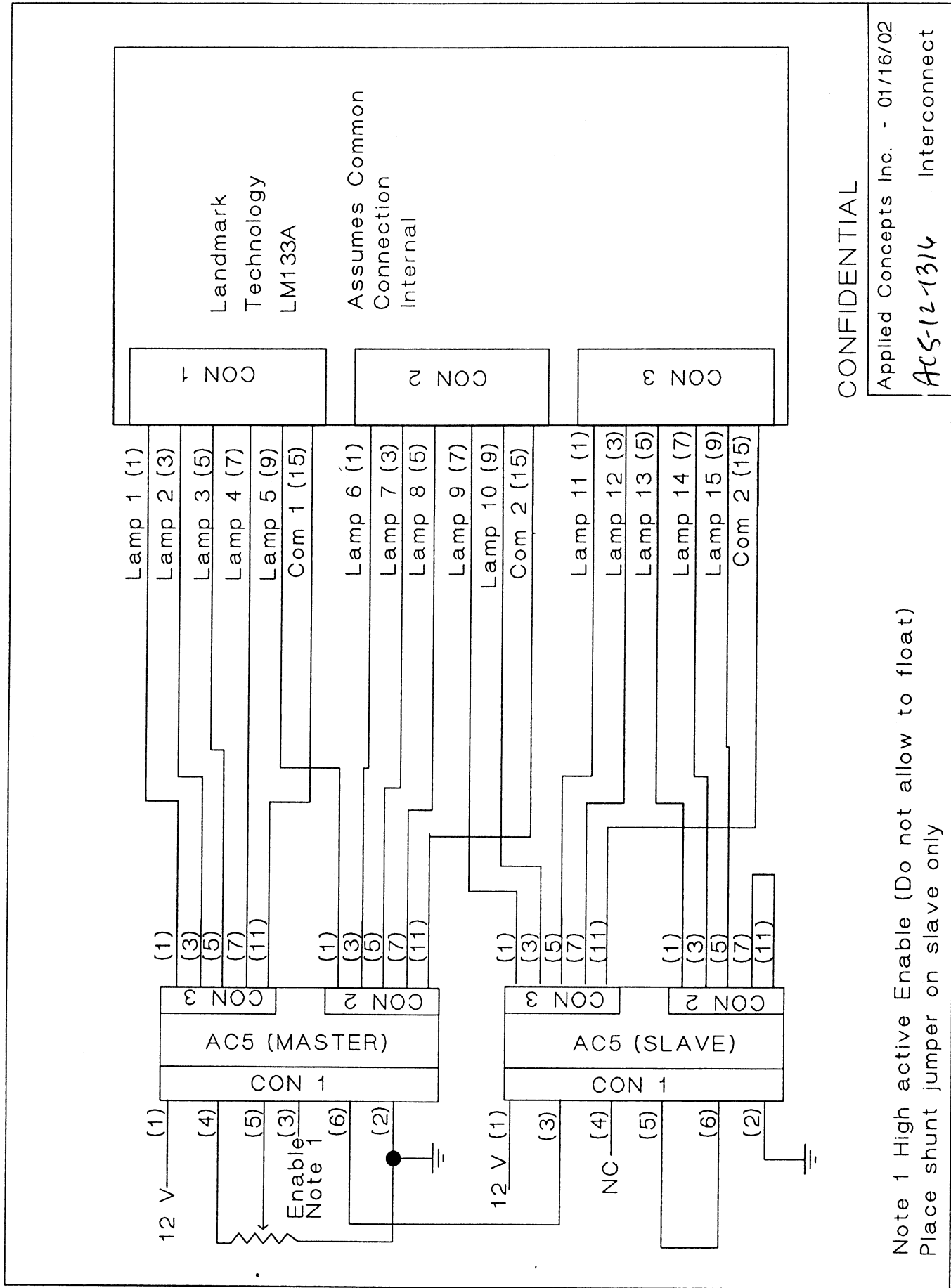


PROFILE = 0.575 IN

CON1  
MOLEX 22-28-1063

CON2(CON3)  
MOLEX 22-28-1113

PIN #		PIN #	
1	+12V	1	CCFL 4(8)
2	GND	2	NC
3	ENABLE	3	CCFL 3(7)
4	LOGIC HI	4	NC
5	VCNTL	5	CCFL 2(6)
6	PWM OUT	6	NC
		7	CCFL 1(5)
		8	NC
		9	NC
		10	NC
		11	CCFL COMMON



CONFIDENTIAL

Applied Concepts Inc. - 01/16/02  
 ACS-12-1314 Interconnect

Note 1 High active Enable (Do not allow to float)  
 Place shunt jumper on slave only