

PLEASE CHECK WWW.MOLEX.COM FOR LATEST PART INFORMATION

Part Number: [0006023104](#)
Status: **Active**
Overview: [flat blade](#)
Description: Flat Blade Appliance Dryer Motor Crimp Housing, 10 Circuit

Documents:

[3D Model](#) [Product Specification PS-43374-001 \(PDF\)](#)
[Drawing \(PDF\)](#) [RoHS Certificate of Compliance \(PDF\)](#)

Agency Certification

CSA LR19980
 UL E29179

General

Product Family Crimp Housings
 Series [42865](#)
 Overview [flat blade](#)
 Product Name Flat Blade

Physical

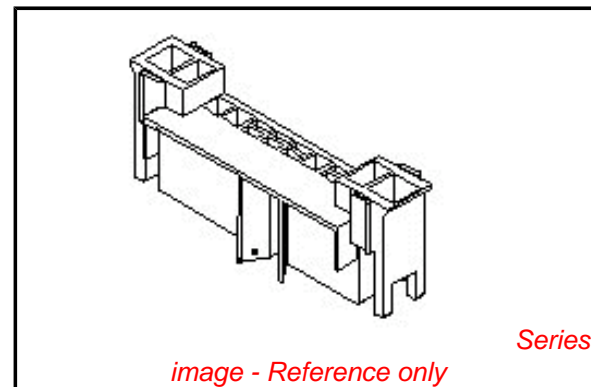
Circuits (maximum) 10
 Color - Resin Natural
 Flammability 94V-2
 Gender Female
 Glow-Wire Compliant No
 Keying to Mating Part Yes
 Lock to Mating Part Yes
 Material - Resin Nylon
 Number of Rows 1
 Packaging Type Bag
 Panel Mount No
 Pitch - Mating Interface (in) 0.228 In
 Pitch - Mating Interface (mm) 5.80 mm
 Pitch - Term. Interface (in) 0.228 In
 Pitch - Term. Interface (mm) 5.80 mm
 Polarized to Mating Part Yes
 Stackable No
 Temperature Range - Operating -40°C to +75°C

Material Info

Old Part Number 42865-0001

Reference - Drawing Numbers

Packaging Specification PK-42865-001
 Product Specification PS-43374-001
 Sales Drawing SD-42865-0001



EU RoHS

ELV and RoHS Compliant
REACH SVHC Contains SVHC: No
Halogen-Free Status
Not Reviewed

China RoHS



Need more information on product environmental compliance?

Email productcompliance@molex.com
 For a multiple part number RoHS Certificate of Compliance, [click here](#)

Please visit the [Contact Us](#) section for any non-product compliance questions.

Search Parts in this Series

[42865Series](#)

Mates With

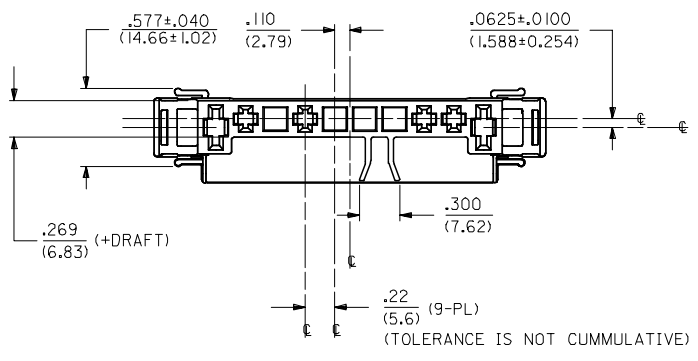
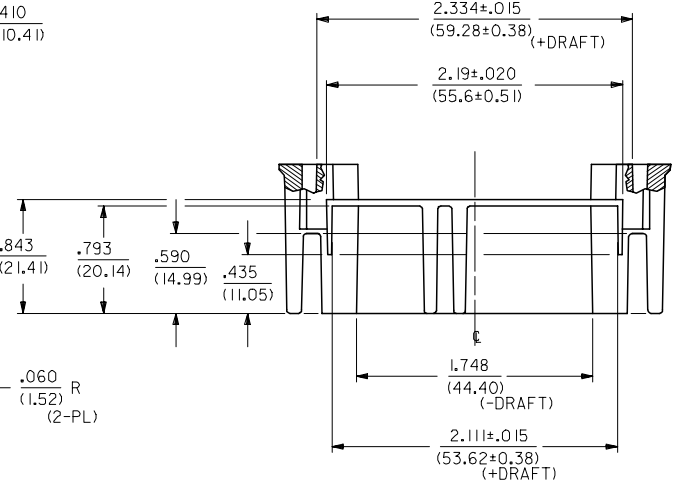
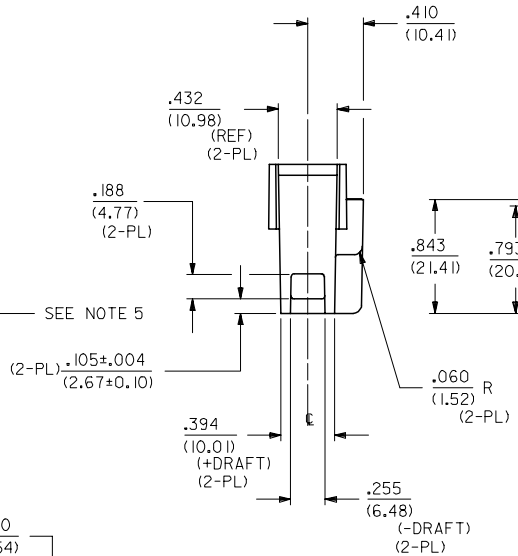
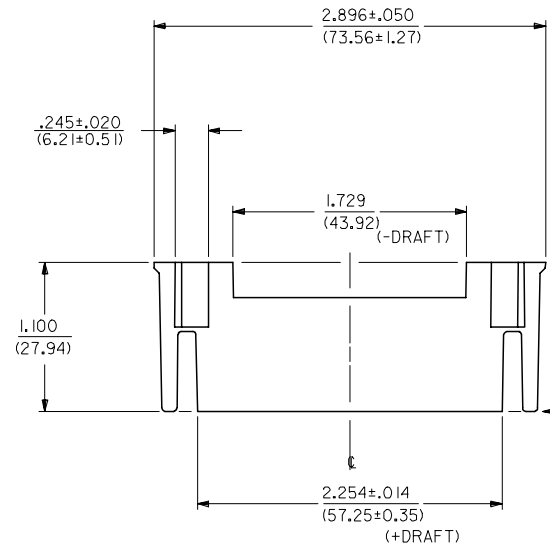
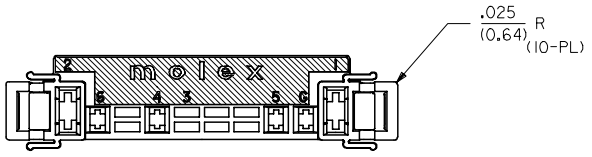
Dryer Motor

Use With

[1508 Crimp Terminals](#), [43374](#), [41422](#)

NOTES

- MATERIAL: NYLON 6/6, 94V-2. COLOR: NATURAL (WHITE/TRANSLUCENT) PER SMES-128-A.
- FINISH: NONE.
- PRODUCT SPECS: PSX-42865-0001, PSX-42865-0002 & PS-43374-0001 APPLY.
- PACKAGING SPECS: HOUSINGS ARE PACKED ACCORDING TO PK-42865-001.
- THE OUTSIDE EDGES ASSOCIATED WITH THIS SURFACE TO HAVE .02/(0.51) RADII.
- 42865-0001 CONNECTOR HOUSING IS FOR USE WITH TERMINALS:
 - .125/(3.18) SPADE: I508-* & 43374-***I (4-PL MAX)
 - .250/(6.35) SPADE: 41422-3***5** (2-PL MAX)
- 42865-0002 CONNECTOR HOUSING IS FOR USE WITH TERMINALS:
 - .125/(3.18) SPADE: I508-* & 43374-***I (5-PL MAX)
 - .250/(6.35) SPADE: 41422-3***5** (2-PL MAX)
- PART CONFORMS TO CLASS B REQUIREMENTS OF COSMETIC SPECS PS-45499-002.



42865-0001	006-02-3104
ENG. NO.	PART NO.

ADD NOTES 2.47&8 EC NO: UCP2007-1658 DRAWN: AELHAG CHKD: 2007/03/19 APPR: FSM TH	2007/03/16 2007/03/19 2007/03/19	DESCRIPTION
--	--	-------------

QUALITY SYMBOLS	GENERAL TOLERANCES (UNLESS SPECIFIED)
▽=0	mm INCH
▽=0	4 PLACES ± --- ± ---
	3 PLACES ± --- ± .010
	2 PLACES ± 0.25 ± .014
	1 PLACE ± 0.35 ± ---
	ANGULAR ±1/2°
	DRAFT WHERE APPLICABLE MUST REMAIN WITHIN DIMENSIONS

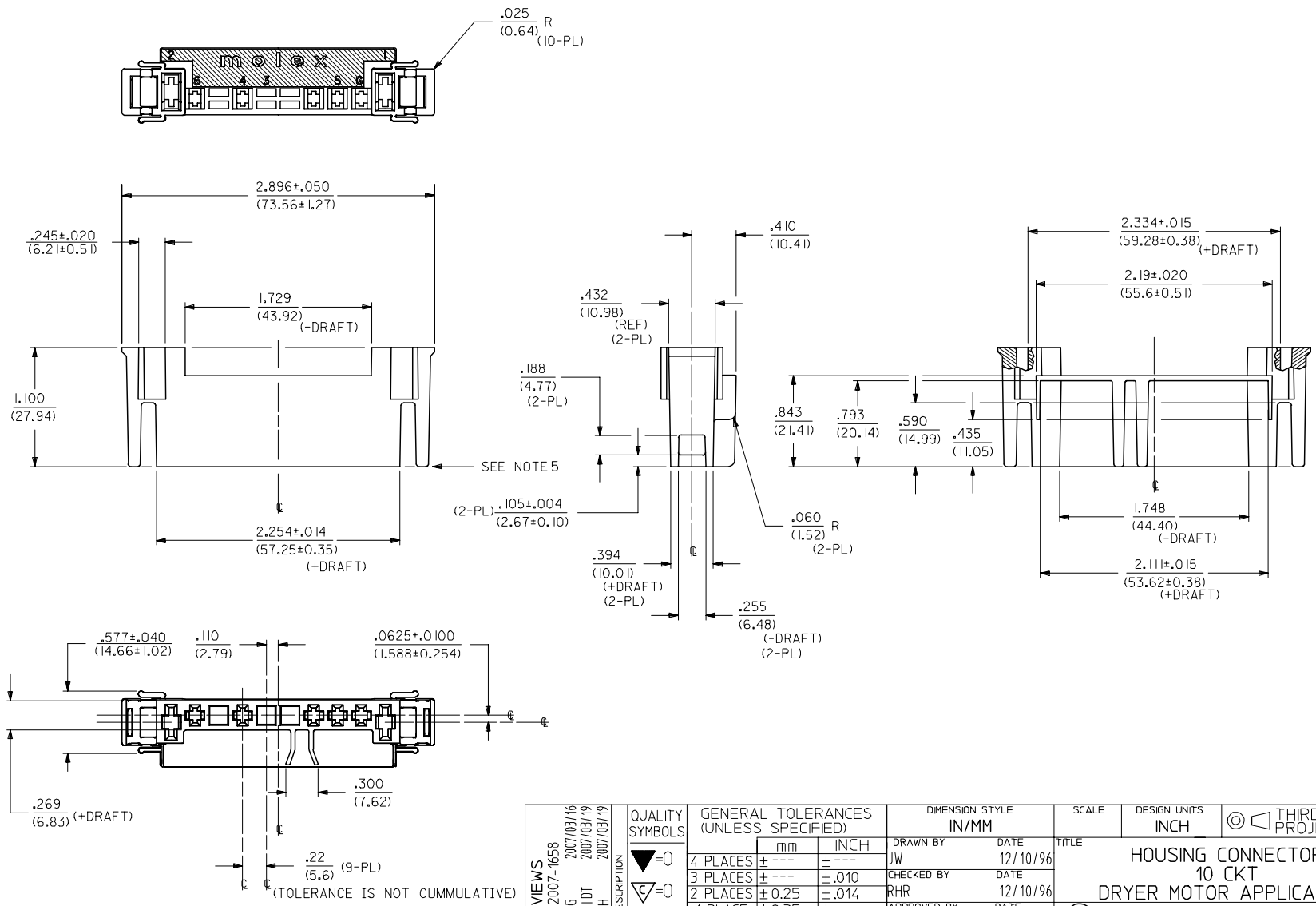
DIMENSION STYLE		SCALE	DESIGN UNITS	THIRD ANGLE PROJECTION
IN/MM		1:1	INCH	
DRAWN BY	DATE	TITLE		
KBP	10/17/1991	HOUSING, CONNECTOR		
CHECKED BY	DATE	10 - CIRCUITS		
KBP	10/17/1991	DRYER MOTOR APPLICATION		
APPROVED BY	DATE	MOLEX MOLEX INCORPORATED		
RAS	10/17/1991			
MATERIAL NO.	DOCUMENT NO.	SHEET NO.		
		1 OF 2		

SEE CHART	SD-42865-0001
THIS DRAWING CONTAINS INFORMATION THAT IS PROPRIETARY TO MOLEX INCORPORATED AND SHOULD NOT BE USED WITHOUT WRITTEN PERMISSION	

13 12 11 10 9 8 7 6 5 4 3 2 1

J
I
H
G
F
E
D
C
B
A

J
I
H
G
F
E
D
C
B
A



42865-0002	006-02-3105
ENG. NO.	PART NO.

UPDATE VIEWS	DESCRIPTION
EC NO: UCP2007-1658	2007/03/16
DRW:NAELHAG	2007/03/19
CHKD:LSHMDT	2007/03/19
APPR:FSM TH	2007/03/19

QUALITY SYMBOLS	GENERAL TOLERANCES (UNLESS SPECIFIED)
▽=0	mm INCH
▽=0	4 PLACES ± --- ± ---
	3 PLACES ± --- ± .010
	2 PLACES ± 0.25 ± .014
	1 PLACE ± 0.35 ± ---
	ANGULAR ±1/2°
	DRAFT WHERE APPLICABLE MUST REMAIN WITHIN DIMENSIONS

DIMENSION STYLE	
IN/MM	
DRAWN BY	DATE
JW	12/10/96
CHECKED BY	DATE
RHR	12/10/96
APPROVED BY	DATE
RE	12/10/96
MATERIAL NO.	
SEE CHART	

SCALE	DESIGN UNITS	THIRD ANGLE PROJECTION
	INCH	
HOUSING CONNECTOR		
10 CKT		
DRYER MOTOR APPLICATION		
MOLEX INCORPORATED		
MATERIAL NO.	DOCUMENT NO.	SHEET NO.
SEE CHART	SD-42865-0001	2 OF 2
THIS DRAWING CONTAINS INFORMATION THAT IS PROPRIETARY TO MOLEX INCORPORATED AND SHOULD NOT BE USED WITHOUT WRITTEN PERMISSION		

12 11 10 9 8 7 6 5 4 3 2 1