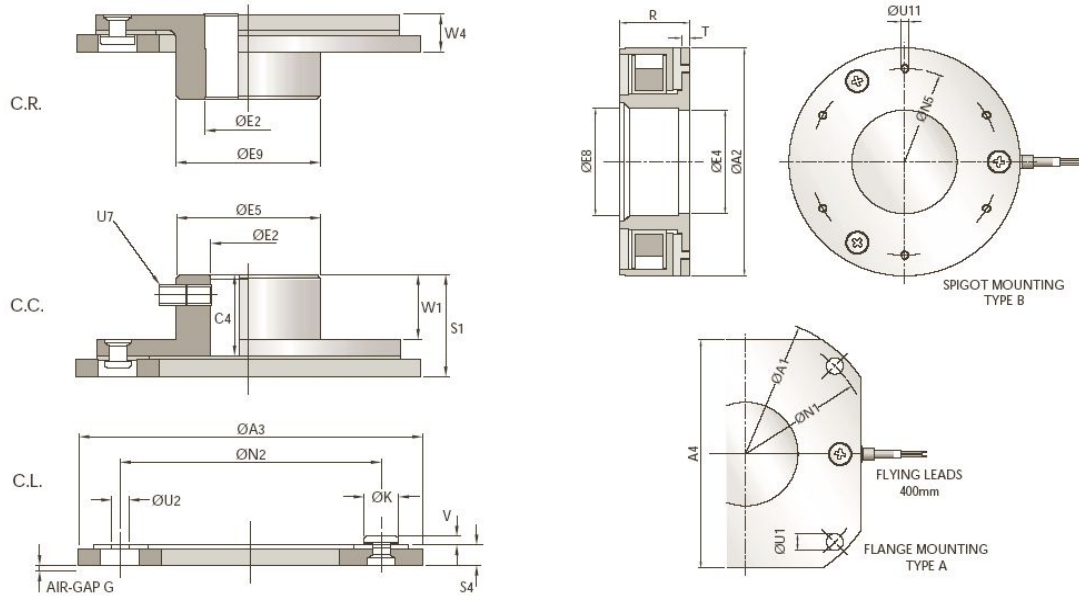


[ PM: Permanent Magnet ] [ EM: Electromagnet ]



PMB		3*	4*	5*	6*	7*	9*	11*
Static Torque [in-lbs / N-m]		3.5 / 0.4	11 / 1.2	22 / 2.5	79 / 9.0	44 / 5.0	106 / 12.0	266 / 30.1
Coil (20°C)	Voltage [DC-V]	24						
	Wattage [W]	6	8	12	20	20	18	22
Max Bore [mm]	E2H7	8	8	15	17	20	30	35
Dimensions [mm]	A1h9	38.5	62.5	75	80	90	115	132
	A2h8	28	40	53	63	70	85.5	110
	A3	28.5	42	56	63	73	90	110
	A4	30	45	56	66	70	90	110
	C4	7.8	14.2	17	15	20	25	30
	E4H8	16	13	24	35	30	40	50
	E5	17	16	24	27	30	40	49
	E8	9	13	24	32	32	43	52
	E9	-	12	23	27	30	40	49
	G	0.15	0.15	0.2	0.2	0.25	0.25	0.3
	K	4	6	6	6.5	8	10	10
	N1	33.5	54	61	72	79.5	102	121
	N2	19.5	29	46	50	60	76	95
	N5	22	32.5	48	49	61	75	90
	R	16	21	20.9	26.6	25.3	26.6	33
	S1	10.5	17.5	20.5	19	24.2	30	36.2
	S4	2.7	3	3.6	3.8	4.2	5	6.2
	T	1.5	3	3	3	3.5	3.5	3.75
	U1	2.6	3.5	4.5	4.5	5.5	6.5	6.5
	U2	2.15	3.2	3.1	4.1	4.1	5.1	6.1
U7	M3	M3	M5	M5	M5	M5	M6	
U11	M2	M2	M3	M4	M3	M3	M4	
V	1.6	1.5	1.5	1.5	1.5	2	4.7	
W1	5.3	12.2	13.5	11.5	15	20	24	
W4	-	5.3	7	7.5	9.2	10	12.2	
Weight [lbs / kg]		0.18 / 0.08	0.36 / 0.16	0.65 / 0.29	0.9 / 0.4	1.2 / 0.5	2.4 / 1.1	4.2 / 1.9

[ 1" = 25.4mm ]

\* When ordering PM brakes select one of two different fields (A,B) and one of three different armatures (CL, CC, CR). Example: for type 3 with an external field and a set screw hub (PMB-3-A-CC-24V). Please also specify required bore size.