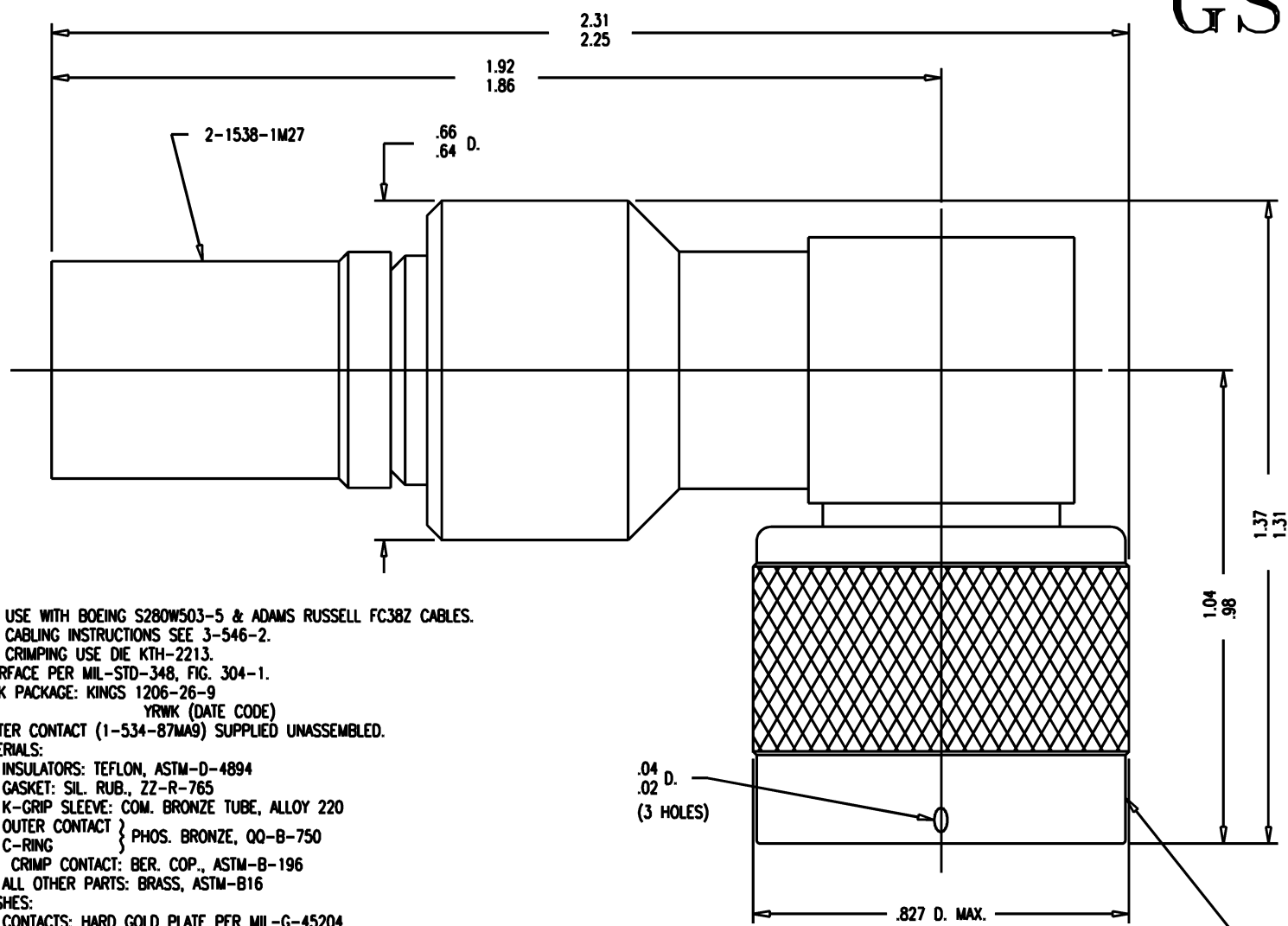


GSD

1206-26-9



- NOTES:**
- FOR USE WITH BOEING S280W503-5 & ADAMS RUSSELL FC38Z CABLES.
 - FOR CABLING INSTRUCTIONS SEE 3-546-2.
 - FOR CRIMPING USE DIE KTH-2213.
 - INTERFACE PER MIL-STD-348, FIG. 304-1.
 - MARK PACKAGE: KINGS 1206-26-9
YRWK (DATE CODE)
 - CENTER CONTACT (1-534-87MA9) SUPPLIED UNASSEMBLED.
 - MATERIALS:**
 INSULATORS: TEFLON, ASTM-D-4894
 GASKET: SIL. RUB., ZZ-R-765
 K-GRIP SLEEVE: COM. BRONZE TUBE, ALLOY 220
 OUTER CONTACT } PHOS. BRONZE, QQ-B-750
 C-RING }
 CRIMP CONTACT: BER. COP., ASTM-B-196
 ALL OTHER PARTS: BRASS, ASTM-B16
 - FINISHES:**
 CONTACTS: HARD GOLD PLATE PER MIL-G-45204
 OUTER CONTACT: SILVER PLATE PER QQ-S-365
 ALL OTHER METAL PARTS: KINGS TARNISH RESISTANT FINISH (TR-5)
 - ELECTRICAL CHARACTERISTICS:**
 NOMINAL IMPEDANCE: 50 OHMS
 VOLTAGE RATING: 1000 VRMS
 FREQUENCY RANGE: DC TO 11 GHz

STAMP: KINGS 1206-26-9
YRWK (DATE CODE)

GSD

REVISIONS

ISSUE	CHANGES	
0	ER JCA	35256 12/16/93
1	CN MJB	35739 A 08/10/94
2	CN TML	38322 E 06/15/01

WAS: JCA3770 1206269S

SCALE 4:1

APPROX SURFACE AREA

WAS: E-18166

USED ON

REF: BOEING

PLUG, ANGLE, N

DRAWN JCA DATE 04/26/93

DESIGN JT DATE 04/27/93

APPR. DATE

KINGS
ELECTRONICS CO., INC.
ROCK HILL, SOUTH CAROLINA 29730

1206-26-9