

## Dual Output Plug-in Signal Conditioners W-UNIT

### CURRENT LOOP SUPPLY

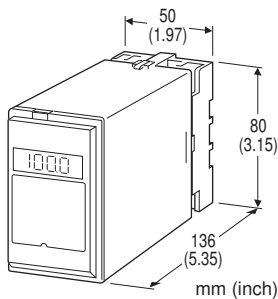
(with square root extractor)

#### Functions & Features

- Powering a 4 - 20 mA DC current loop
- Square root extraction
- Shortcircuit protection
- Applicable to smart transmitters
- Isolation up to 2000 V AC
- LCD meter
- High-density mounting

#### Typical Applications

- Various 2-wire transmitters
- Square root extractor application (4 - 20 mA input)



## MODEL: WDNY-[1][2]-[3][4]

### ORDERING INFORMATION

- Code number: WDNY-[1][2]-[3][4]

Specify a code from below for each [1] through [4].

(e.g. WDNY-A6-B/E/Q)

- Special output ranges (For codes Z & 0)
- Specify the specification for option code /Q (e.g. /C01/S01)

Note: When the user requires a current and a voltage output, specify the current to be the Output 1 which allows a greater load.

### INPUT

#### Current

4 - 20 mA DC (Input resistance 250 Ω)

### [1] OUTPUT 1

#### Current

- A: 4 - 20 mA DC (Load resistance 600 Ω max.)
- B: 2 - 10 mA DC (Load resistance 1200 Ω max.)
- C: 1 - 5 mA DC (Load resistance 2400 Ω max.)

- D: 0 - 20 mA DC (Load resistance 600 Ω max.)
- E: 0 - 16 mA DC (Load resistance 750 Ω max.)
- F: 0 - 10 mA DC (Load resistance 1200 Ω max.)
- G: 0 - 1 mA DC (Load resistance 12 kΩ max.)
- Z: Specify current (See OUTPUT SPECIFICATIONS)

#### Voltage

- 1: 0 - 10 mV DC (Load resistance 10 kΩ min.)
- 2: 0 - 100 mV DC (Load resistance 100 kΩ min.)
- 3: 0 - 1 V DC (Load resistance 1000 Ω min.)
- 4: 0 - 10 V DC (Load resistance 10 kΩ min.)
- 5: 0 - 5 V DC (Load resistance 5000 Ω min.)
- 6: 1 - 5 V DC (Load resistance 5000 Ω min.)
- 4W: -10 - +10 V DC (Load resistance 10 kΩ min.)
- 5W: -5 - +5 V DC (Load resistance 5000 Ω min.)
- 0: Specify voltage (See OUTPUT SPECIFICATIONS)

### [2] OUTPUT 2

#### Current

- A: 4 - 20 mA DC (Load resistance 350 Ω max.)
- B: 2 - 10 mA DC (Load resistance 700 Ω max.)
- C: 1 - 5 mA DC (Load resistance 1400 Ω max.)
- D: 0 - 20 mA DC (Load resistance 350 Ω max.)
- E: 0 - 16 mA DC (Load resistance 430 Ω max.)
- F: 0 - 10 mA DC (Load resistance 700 Ω max.)
- G: 0 - 1 mA DC (Load resistance 7000 Ω max.)
- Z: Specify current (See OUTPUT SPECIFICATIONS)

#### Voltage

Same range availability as Output 1

### [3] POWER INPUT

#### AC Power

- B: 100 V AC
- C: 110 V AC
- D: 115 V AC
- F: 120 V AC
- G: 200 V AC
- H: 220 V AC
- J: 240 V AC
- DC Power
- S: 12 V DC
- R: 24 V DC
- V: 48 V DC
- P: 110 V DC

### [4] OPTIONS (multiple selections)

#### LCD Meter (after function or low-end cutout)

blank: Without

/E: LCD meter (0.0 - 100.0 %)

#### Other Options

blank: none

/Q: Option other than the above (specify the specification)

## SPECIFICATIONS OF OPTION: Q (multiple selections)

### COATING (For the detail, refer to M-System's web site.)

/C01: Silicone coating

/C02: Polyurethane coating

/C03: Rubber coating

### TERMINAL SCREW MATERIAL

/S01: Stainless steel

## GENERAL SPECIFICATIONS

**Construction:** Plug-in

**Connection:** M3.5 screw terminals

**Screw terminal:** Chromated steel (standard) or stainless steel

**Housing material:** Flame-resistant resin (black)

**Isolation:** Input to output 1 to output 2 to power

**Overrange output:** 0 - 105 % at 1 - 5 V

**Zero adjustment:** -5 to +5 % (front)

**Span adjustment:** 95 to 105 % (front)

Adjustable individually for each output 1 and output 2.

**Low-end cutout:** Approx. 5 - 8 % (output)

### ■ DISPLAY (LCD meter)

**LCD digital display:** 0.0 - 100.0 % (min. digit 0.1 %)

(No scaling)

## SUPPLY OUTPUT

**Output voltage:** 24 - 28 V DC with no load

**Current rating:** ≤ 22 mA DC

• Shortcircuit Protection

**Current limited:** 35 mA max.

**Protected time duration:** No limit

## INPUT SPECIFICATIONS

■ DC Current: Input resistor incorporated

## OUTPUT SPECIFICATIONS

■ DC Current: 0 - 20 mA DC

**Minimum span:** 1 mA

**Offset:** Max. 1.5 times span

**Load resistance:** Output drive 12 V max. for Output 1;

7 V max. for Output 2

■ DC Voltage: -10 - +12 V DC

**Minimum span:** 5 mV

**Offset:** Max. 1.5 times span

**Load resistance:** Output drive 1 mA max. at ≥ 0.5 V

## INSTALLATION

### Power input

•AC: Operational voltage range: rating ±10 %,

50/60 ±2 Hz, approx. 3 VA

•DC: Operational voltage range: rating ±10 %, or 85 - 150 V for 110 V rating, ripple 10 %p-p max., approx. 3 W (125 mA at 24 V)

**Operating temperature:** -5 to +55°C (23 to 131°F)

**Operating humidity:** 30 to 90 %RH (non-condensing)

**Mounting:** Surface or DIN rail

**Weight:** 400 g (0.88 lb)

## PERFORMANCE in percentage of span

**Accuracy:** ±0.3 % (input 1 - 100 %)

**Display accuracy:** ± (0.3 % of FS + 1 digit) (Input 1 - 100 %)

**Temp. coefficient:** ±0.02 %/°C (±0.01 %/°F)

**Response time:** ≤ 0.5 sec. (0 - 90 %)

**Line voltage effect:** ±0.1 % over voltage range

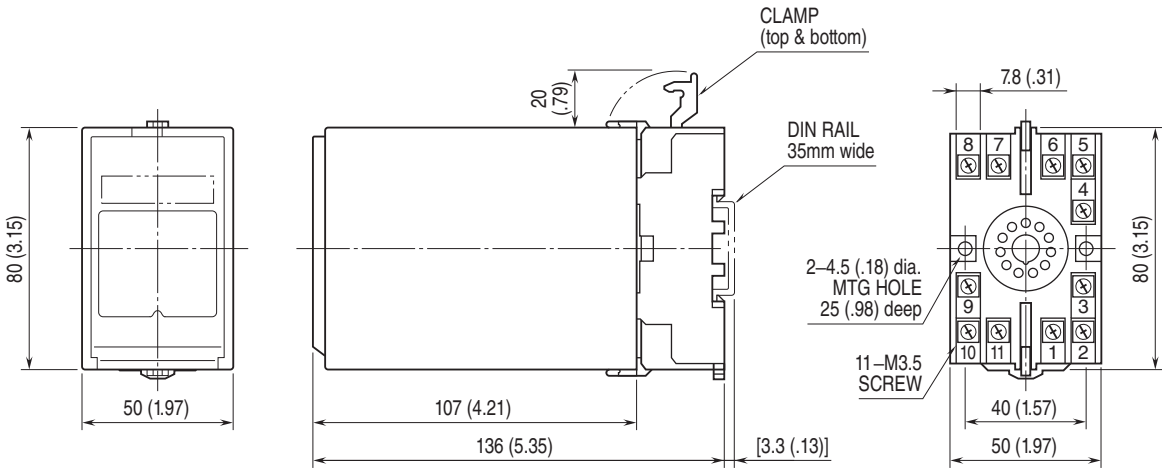
**Insulation resistance:** ≥ 100 MΩ with 500 V DC

**Dielectric strength:** 2000 V AC @1 minute

(input to output to power to ground)

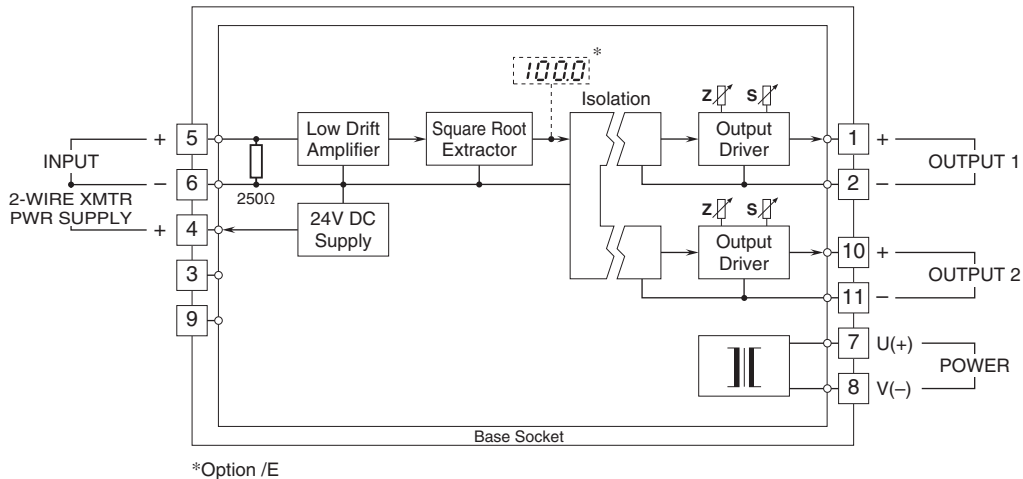
1000 V AC @ 1 minute (output 1 to output 2)

**EXTERNAL DIMENSIONS & TERMINAL ASSIGNMENTS unit: mm (inch)**



• When mounting, no extra space is needed between units.

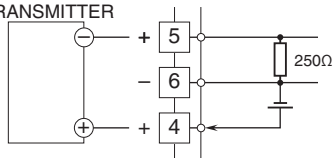
**SCHEMATIC CIRCUITRY & CONNECTION DIAGRAM**



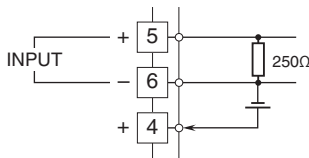
\*Option /E

■ When Used as DC Supply

2-WIRE TRANSMITTER



■ When Used as Square Root Extractor



Specifications are subject to change without notice.