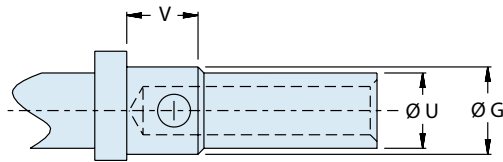
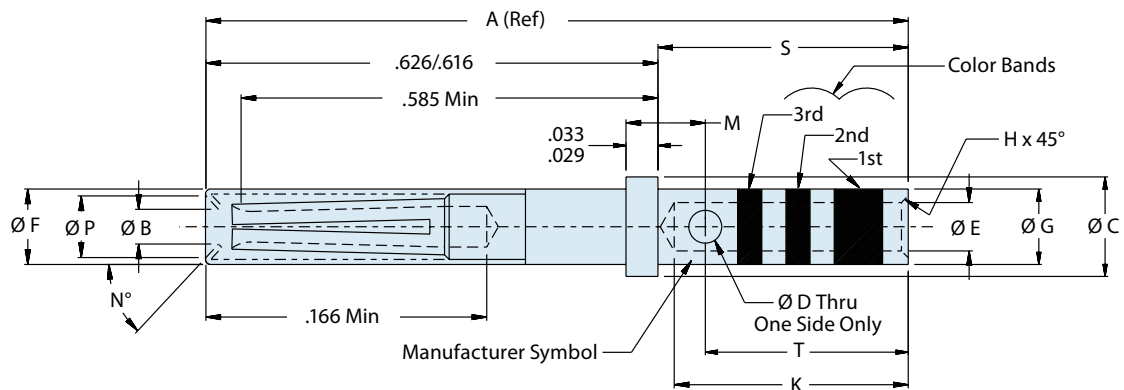
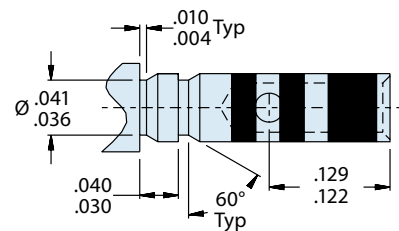


D38999
 Ser. I, III, IV

M29600
Extended Duty Socket Crimp Contact for MIL-DTL-38999 Series I, III and IV Connectors
A


| Mating End Size | Wire Accomodation | Military Part Number | Glenair Part Number |
|-----------------|-------------------|-----------------------|-----------------------|
| 22 | 22-28 AWG | M39029/106-614 | 850-006-22-614 |
| 20 | 20-24 AWG | M39029/106-615 | 850-006-20-615 |
| 16 | 16-20 AWG | M39029/106-616 | 850-006-16-616 |
| 12 | 12-14 AWG | M39029/106-617 | 850-006-12-617 |
| 10 | 10 AWG | M39029/106-618 | 850-006-10-618 |


-10-618 Only

-22-614 Only
Material and Finish

Copper alloy, plated with 5 µinches gold over 45 µinches palladium alloy.
 Rated to 1500 cycles of durability.

39029/106
850-006
Extended Duty Electrical Socket Contact



AS39029

A

TABLE I: CONTACT DIMENSIONS

| Size | Part Number | Military Number | A (ref) | ø B Min. | ø C | ø D | ø E | ø F Max. | ø G | ø H |
|------|----------------|-----------------|---------|----------|--------------|--------------|----------------|----------|--------------|--------------|
| 22 | 850-006-22-614 | M39029/106-614 | .855 | .031 | .062 .060 | .022 .018 | .0355 .0335 | .062 | .048 .046 | .005 .003 |
| 20 | 850-006-20-615 | M39029/106-615 | | .0415 | .094 .091 | .032 .026 | .048 .046 | .078 | .070 .068 | .010 .005 |
| 16 | 850-006-16-616 | M39029/106-616 | | .064 | .130 .127 | .042 .036 | .068 .066 | .113 | .103 .101 | .010 .005 |
| 12 | 850-006-12-617 | M39029/106-617 | | .0955 | .182 .179 | .042 .036 | .102 .098 | .161 | .151 .148 | .016 .005 |
| 10 | 850-006-10-618 | M39029/106-618 | 1.021 | .1265 | .242 .238 | .052 .046 | .140 .134 | .215 | .213 .207 | .016 .005 |

TABLE I: (Continued) CONTACT DIMENSIONS

| Size | Part Number | Military Number | K Min. | M | N° | ø P Min. | S | ø U | V | Color Bands | | |
|------|----------------|-----------------|--------------|--------------|----------------|----------|--------------|--------------|--------------|--------------|-------|--------|
| | | | | | | | | | | 1st | 2nd | 3rd |
| 22 | 850-006-22-614 | M39029/106-614 | .141 | – | 50° 44° | .047 | .237 .231 | – | – | Blue | Brown | Yellow |
| 20 | 850-006-20-615 | M39029/106-615 | .209 | .078 .072 | 47° 40° | .053 | | – | – | Blue | Brown | Green |
| 16 | 850-006-16-616 | M39029/106-616 | .209 | .088 .082 | 47° 40° | .084 | | – | – | Blue | Brown | Blue |
| 12 | 850-006-12-617 | M39029/106-617 | .209 | .088 .082 | 47° 40° | .118 | | – | – | Blue | Brown | Violet |
| 10 | 850-006-10-618 | M39029/106-618 | .385 .355 | .115 .108 | Full Radius | .146 | | .405 .395 | .183 .177 | .121 .111 | Blue | Brown |

TABLE II: TOOL COMPATIBILITY

| Size | Part Number | Military Number | AWG Handling | Crimp Tool | Positioner | Insertion Tool | Extraction Tool |
|------|----------------|-----------------|----------------|---|---|---------------------------------|---------------------------------|
| 22 | 850-006-22-614 | M39029/106-614 | 22, 24, 26, 28 | M22520/2-01 M22520/7-01 | M22520/2-07 M22520/7-05 | M81969/8-01 M81969/14-01 | M81969/8-02 M81969/14-01 |
| 20 | 850-006-20-615 | M39029/106-615 | 20, 22, 24 | M22520/1-01 M22520/2-01 M22520/7-01 | M22520/1-04 (red) M22520/2-10 M22520/7-08 | M81969/8-05 M81969/14-10 | M81969/8-06 M81969/14-10 |
| 16 | 850-006-16-616 | M39029/106-616 | 16, 18, 20 | M22520/1-01 M22520/7-01 | M22520/1-04 (blue) M22520/7-04 | M81969/8-07 M81969/14-03 | M81969/8-08 M81969/14-03 |
| 12 | 850-006-12-617 | M39029/106-617 | 12, 14 | M22520/1-01 | M22520/1-04 (yellow) | M81969/8-09 M81969/14-04 | M81969/8-10 M81969/14-03 |
| 10 | 850-006-10-618 | M39029/106-618 | 10 | Daniels 1716P-1 | Daniels 1716P-1 | M81969/14-05 and M81969/8-11 | M81969/14-05 and M81969/8-12 |