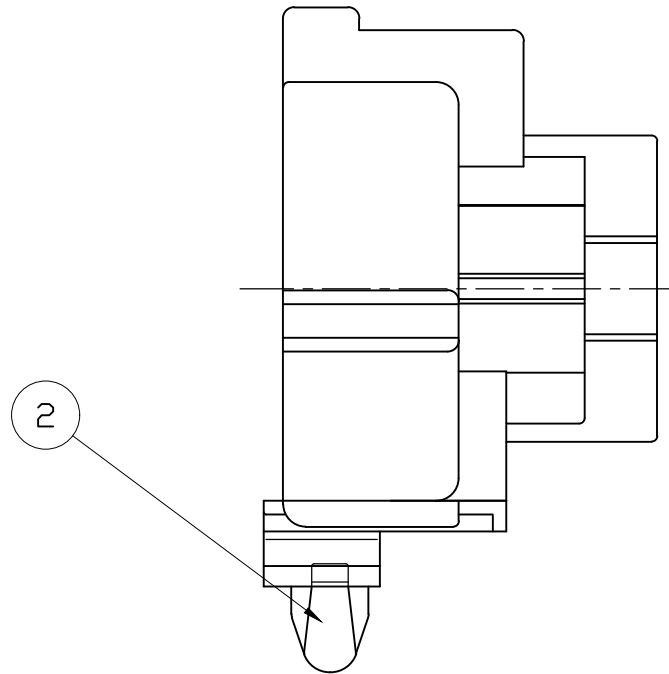
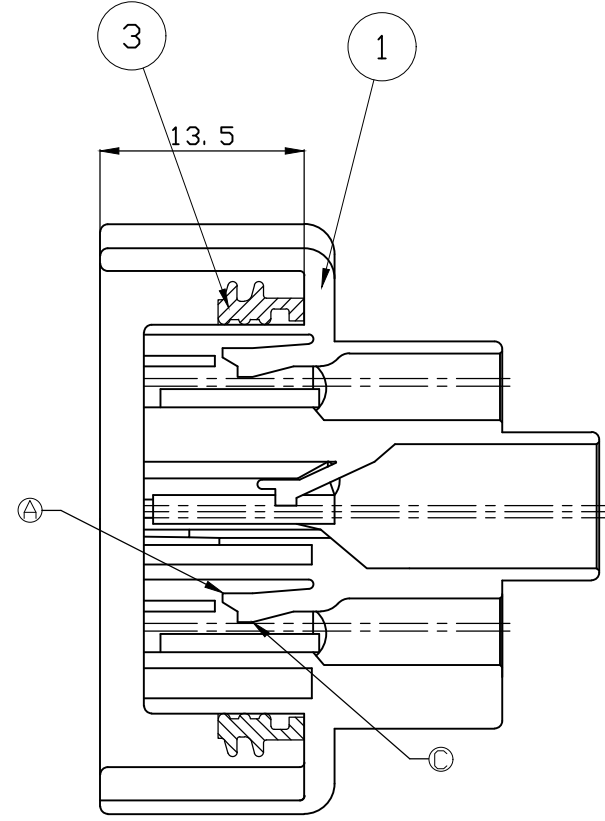
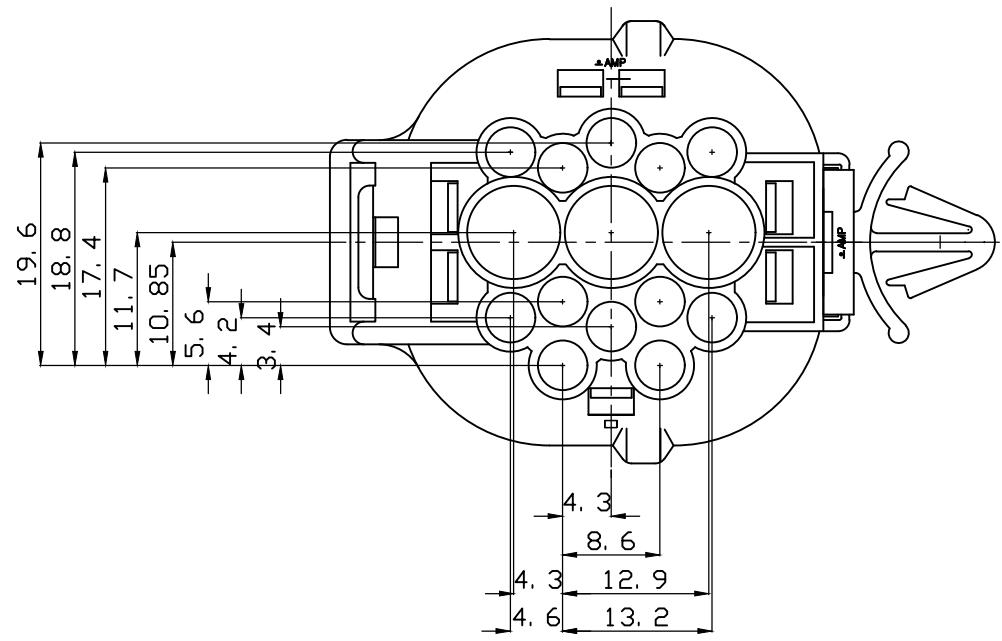
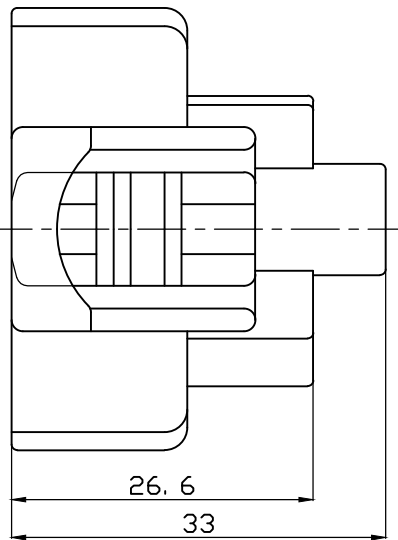
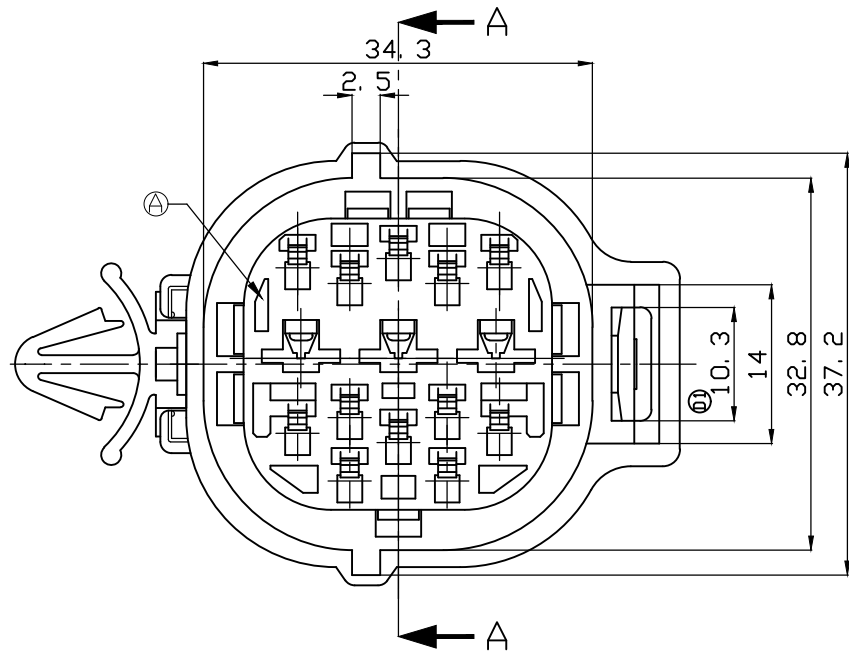


| P | LTR | DESCRIPTION | DATE | DWN | APVD |
|---|-----|-------------|---------------|-----------|--------|
| | D2 | REVISED | ECR-20-002938 | 20JUL2020 | VI SPB |



NOTES

- FOR CAP HOUSING (P/N: 85264)
- THIS PART MUST BE USED WITH DOUBLE LOCK PLATE (P/N: 85223)
- APPLY P/N 85263-1(EJ MKII + 15P PLUG HSG) AND 172745-1(SEAL RING FOR EJ MKII + 15P PLUG HSG) TO ASSEMBLY P/N 2-85262-1.

| CUSTOMER PART NUMBER (H 700) | 5 | 4 | 3 | 2 | 1 | REMARK | NO | COLOR | MATERIAL | DESCRIPTION | PART. NO | REV | Q' TY |
|--------------------------------|---|---|---|---|---|--------|----|-------|----------|---------------------------------------|----------|-----|-------|
| 2-85262-5 | | | | | | | | | | SEAL RING FOR EJ MKII(+15Pos PLUG HSG | 172745-1 | A | 1 |
| 2-85262-1 | | | | | | | | | | CLIP HSG FOR EJ MKII(+15Pos PLUG HSG | 368121-1 | □ | 1 |
| 1-85262-5 | | | | | | | | | | CLIP HSG FOR EJ MKII(+15Pos PLUG HSG | 85229-1 | □ | 1 |
| 1-85262-1 | | | | | | | | | | EJ MKII(+15Pos PLUG HSG | 85263-5 | C | 1 |
| 85262-5 | | | | | | | | | | EJ MKII(+15Pos PLUG HSG | 85263-1 | C | 1 |

OBSOLETE

SECTION A-A


TOLERANCES UNLESS OTHERWISE SPECIFIED:

| | |
|----------|--------|
| 0 <XX<10 | ± 0.2 |
| 10<XX<30 | ± 0.25 |
| 30<XX | ± 0.3 |
| ANGLES | ± 3° |

THIS DRAWING IS A CONTROLLED DOCUMENT.

| | |
|-------------|--|
| DIMENSIONS: | TOLERANCES UNLESS OTHERWISE SPECIFIED: |
| mm | 0 PLC ± - |
| | 1 PLC ± - |
| | 2 PLC ± - |
| | 3 PLC ± - |
| | 4 PLC ± - |
| | ANGLES ± - |
| MATERIAL | FINISH |
| SEE TABLE | - |

| | | |
|------------------|-----------|--------------|
| DWN | JM JEON | |
| CHK | JW JUNG | |
| APVD | HG CHO | |
| PRODUCT SPEC | | |
| APPLICATION SPEC | | |
| WEIGHT | 0 | |
| CUSTOMER DRAWING | SCALE 1:1 | SHEET 1 OF 1 |



TE Connectivity

070/250 15P PLUG ASS'Y
ECONOSEAL J-MARKII CONN.

SIZE: A3 CAGE CODE: 00779 DRAWING NO: C-85262