

# TMS320F2806x Piccolo™ 微控制器

## 1 器件概述

### 1.1 特性

- 高效 32 位 CPU (TMS320C28x)
  - 90Mhz (周期时间为 11.11ns)
  - 16 × 16 和 32 × 32 乘法和累加 (MAC) 运算
  - 16 × 16 双 MAC
  - 哈佛 (Harvard) 总线架构
  - 连动运算
  - 快速中断响应和处理
  - 统一存储器编程模型
  - 高效代码 (使用 C/C++ 和汇编语言)
- 浮点单元 (FPU)
  - 本地单精度浮点运算
- 可编程平行加速器 (CLA)
  - 32 位浮点算术加速器
  - 独立于主 CPU 之外的代码执行
- Viterbi、复杂算术、循环冗余校验 (CRC) 单元 (VCU)
  - 扩展了 C28x 指令集以支持复杂的乘法、Viterbi 运算和循环冗余校验 (CRC)
- 嵌入式存储器
  - 高达 256KB 的闪存
  - 高达 100KB 的随机存取存储器 (RAM)
  - 2KB 一次性可编程 (OTP) ROM
- 6 通道直接存储器访问 (DMA)
- 低器件和系统成本
  - 3.3 V 单电源
  - 无需电源排序
  - 集成型加电复位和欠压复位
  - 低功耗操作模式
  - 无模拟支持引脚
- 尾数法: 小尾数法
- 支持 JTAG 边界扫描
  - IEEE 标准 1149.1-1990 标准测试访问端口和边界扫描架构
- 计时
  - 两个内部零引脚振荡器
  - 片载晶体振荡器/外部时钟输入
  - 看门狗装置定时器模块
- 丢失时钟检测电路
- 可支持所有外设中断的外设中断扩展 (PIE) 模块
- 三个 32 位 CPU 定时器
- 高级控制外设
- 多达 8 个增强型脉宽调制器 (ePWM) 模块
  - 总共 16 个 PWM 通道 (可支持 8 个 HRPWM)
  - 每个模块中的独立 16 位定时器
- 3 个输入增强型捕捉 (eCAP) 模块
- 多达 4 个高分辨率捕捉 (HRCAP) 模块
- 多达 2 个增强型正交编码器脉冲 (eQEP) 模块
- 12 位模数转换器 (ADC), 具有双路采样与保持 (S/H) 功能
  - 高达 3.46 每秒一百万次采样
  - 高达 16 通道
- 片上温度传感器
- 128 位安全密钥和锁
  - 保护安全内存块
  - 防止固件逆向工程
- 串行端口外设
  - 两个串行通信接口 (SCI) [UART] 模块
  - 两个串行外设接口 (SPI) 模块
  - 一条内部集成电路 (I<sup>2</sup>C) 总线
  - 一个多通道缓冲串行端口 (McBSP) 总线
  - 一个增强型控制器局域网络 (eCAN)
  - 通用串行总线 (USB) 2.0 (关于可用性, 请参见“器件比较表”)
    - 全速器件模式
    - 全速或低速主机模式
- 多达 54 个支持输入滤波的独立可编程、复用通用输入/输出 (GPIO) 引脚
- 高级仿真特性
  - 分析和断点功能
  - 通过硬件进行实时调试
- 2806x 封装
  - 80 引脚 PFP 和 100 引脚 PZP PowerPAD™ 散热增强薄型四方扁平封装 (HTQFP)
  - 80 引脚 PN 和 100 引脚 PZ 薄型四方扁平封装 (LQFP)

### 1.2 应用

- 开关模式电源 (SMPS)
- 太阳能微型逆变器和转换器
- 功率因数校正 (PFC)
- 智能电网和电力线通信
- AC/DC 逆变器



### 1.3 描述

F2806x Piccolo™系列微控制器 (MCU) 为 C28x 内核以及与引脚较少的器件中的高度集成控制外设耦合的 CLA 供电。该系列器件的代码与基于 C28x 的旧版代码兼容，同时具有较高的模拟集成度。

一个内部稳压器实现了单电源轨运行。高分辨率脉宽调制器 (HRPWM) 模块已得到增强，现已实现双边沿控制（频率调制）。器件内还新增了采用 10 位内部基准的模拟比较器，可通过与其直接相连来控制 ePWM 输出。ADC 可在 0V 至 3.3V 的固定满量程范围内实施转换，支持  $V_{REFHI}/V_{REFLO}$  基准的比例运算。ADC 接口已针对低开销和延迟进行了优化。

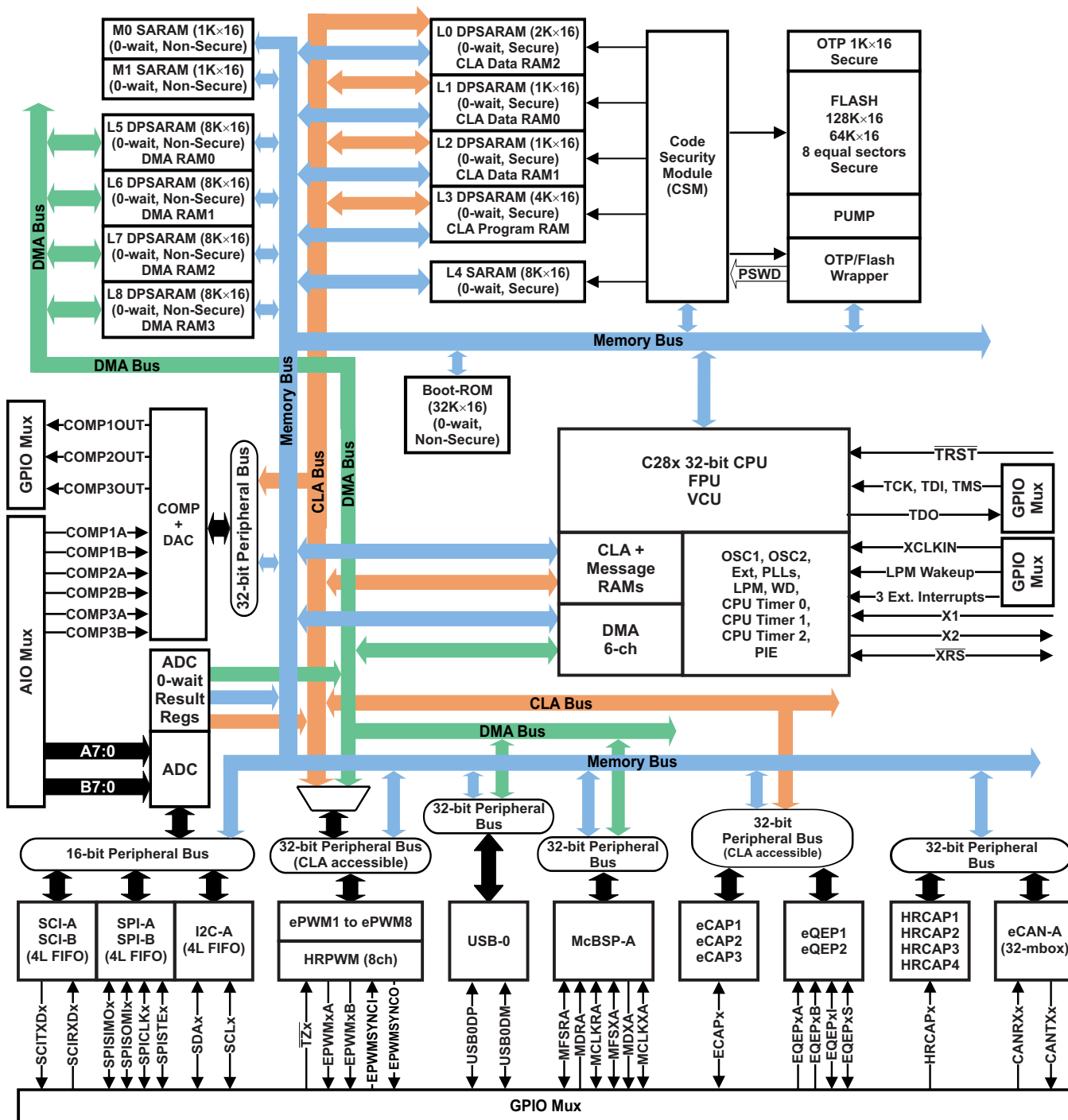
器件信息<sup>(1)</sup>

| 产品型号            | 封装          | 封装尺寸            |
|-----------------|-------------|-----------------|
| TMS320F28069PZP | HTQFP (100) | 14.0mm x 14.0mm |
| TMS320F28069PFP | HTQFP (80)  | 12.0mm x 12.0mm |
| TMS320F28069PZ  | LQFP (100)  | 14.0mm x 14.0mm |
| TMS320F28069PN  | LQFP (80)   | 12.0mm x 12.0mm |

(1) 有关这些器件的更多信息，请参见节 9，机械封装和可订购信息。

### 1.4 功能方框图

图 1-1 显示器件的功能方框图。



A. 由于引脚复用，所有外设引脚不能同时使用。

图 1-1. 功能方框图

### 1.5 系统器件图

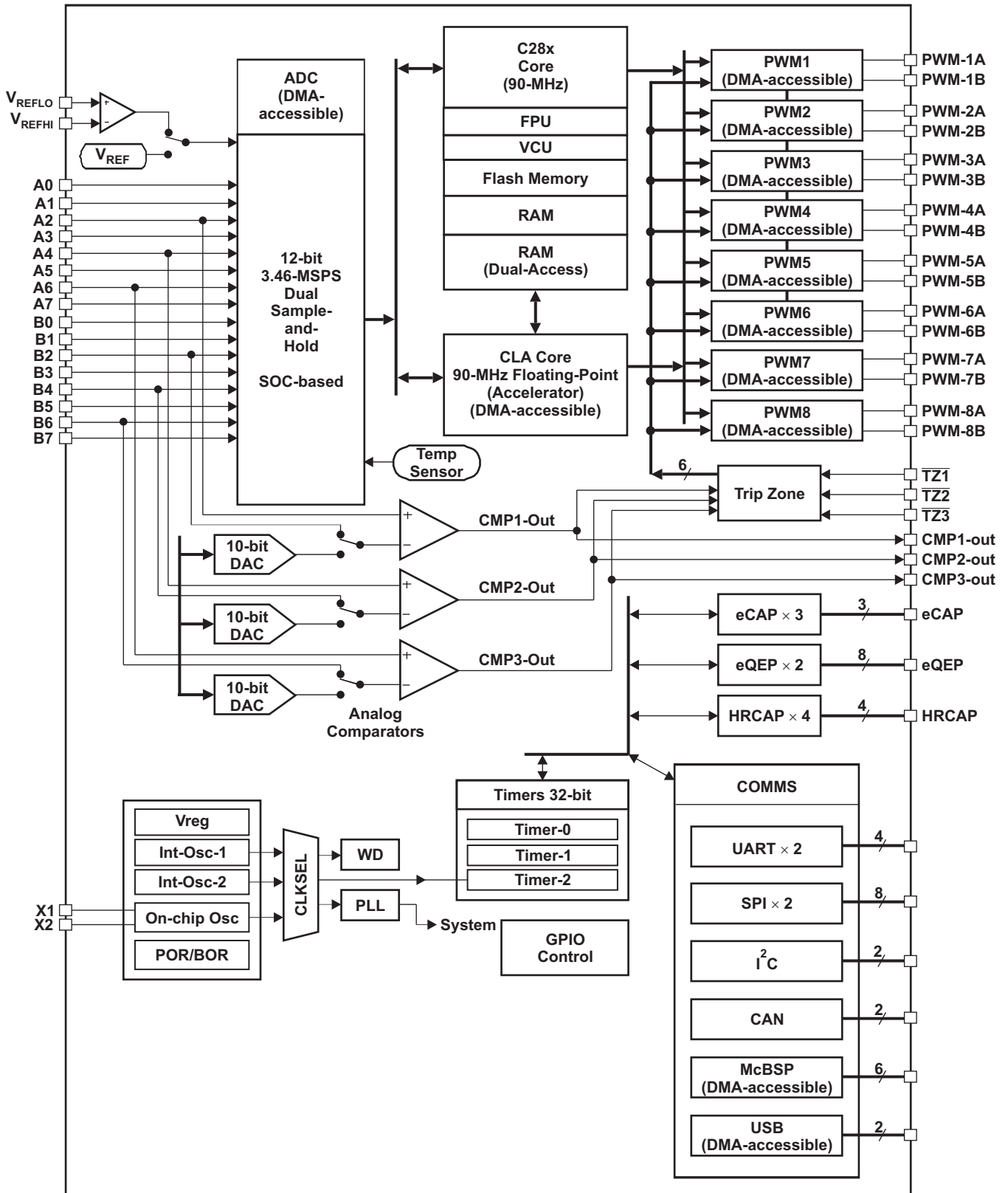


图 1-2. 外设块

## 内容

|          |   |                           |          |   |                            |
|----------|---|---------------------------|----------|---|----------------------------|
| <b>1</b> | <b>器件概述</b> .....   | <b><a href="#">1</a></b>  | 5.14     | Flash Timing .....                                    | <b><a href="#">35</a></b>  |
| 1.1      | 特性 .....  | <a href="#">1</a>         | <b>6</b> | <b>Detailed Description</b> .....                     | <b><a href="#">37</a></b>  |
| 1.2      | 应用 .....  | <a href="#">1</a>         | 6.1      | Overview .....  | <a href="#">37</a>         |
| 1.3      | 描述 .....  | <a href="#">2</a>         | 6.2      | Memory Maps .....                                     | <a href="#">47</a>         |
| 1.4      | 功能方框图 .....   | <a href="#">3</a>         | 6.3      | Register Maps .....                                   | <a href="#">58</a>         |
| 1.5      | 系统器件图 .....   | <a href="#">4</a>         | 6.4      | Device Emulation Registers .....                      | <a href="#">60</a>         |
| <b>2</b> | <b>修订历史记录</b> .....   | <b><a href="#">6</a></b>  | 6.5      | VREG, BOR, POR .....                                  | <a href="#">62</a>         |
| <b>3</b> | <b>Device Comparison</b> .....  | <b><a href="#">7</a></b>  | 6.6      | System Control .....                                  | <a href="#">64</a>         |
| <b>4</b> | <b>Terminal Configuration and Functions</b> .....                       | <b><a href="#">9</a></b>  | 6.7      | Low-power Modes Block .....                           | <a href="#">73</a>         |
| 4.1      | Pin Diagrams .....  | <a href="#">9</a>         | 6.8      | Interrupts .....                                      | <a href="#">74</a>         |
| 4.2      | Signal Descriptions .....   | <a href="#">11</a>        | 6.9      | Peripherals .....                                     | <a href="#">79</a>         |
| <b>5</b> | <b>Specifications</b> .....   | <b><a href="#">19</a></b> | <b>7</b> | <b>Applications, Implementation, and Layout</b> ..... | <b><a href="#">156</a></b> |
| 5.1      | Absolute Maximum Ratings .....  | <a href="#">19</a>        | 7.1      | TI Design or Reference Design .....                   | <a href="#">156</a>        |
| 5.2      | ESD Ratings for TMS320F2806xU .....                                     | <a href="#">19</a>        | 7.2      | Development Tools .....                               | <a href="#">157</a>        |
| 5.3      | ESD Ratings for TMS320F2806x,<br>TMS320F2806xM, and TMS320F2806xF ..... | <a href="#">19</a>        | 7.3      | Software Tools .....                                  | <a href="#">157</a>        |
| 5.4      | Recommended Operating Conditions .....                                  | <a href="#">20</a>        | 7.4      | Training .....  | <a href="#">158</a>        |
| 5.5      | Electrical Characteristics .....  | <a href="#">20</a>        | <b>8</b> | <b>器件和文档支持</b> .....                                  | <b><a href="#">159</a></b> |
| 5.6      | Power Consumption Summary .....   | <a href="#">21</a>        | 8.1      | 器件支持 .....  | <a href="#">159</a>        |
| 5.7      | Thermal Resistance Characteristics .....                                | <a href="#">25</a>        | 8.2      | 文档支持 .....  | <a href="#">161</a>        |
| 5.8      | Thermal Design Considerations .....                                     | <a href="#">27</a>        | 8.3      | 相关链接 .....  | <a href="#">162</a>        |
| 5.9      | Emulator Connection Without Signal Buffering for<br>the MCU .....       | <a href="#">27</a>        | 8.4      | 社区资源 .....  | <a href="#">162</a>        |
| 5.10     | Parameter Information .....   | <a href="#">28</a>        | 8.5      | 商标 .....  | <a href="#">162</a>        |
| 5.11     | Test Load Circuit .....   | <a href="#">28</a>        | 8.6      | 静电放电警告 .....  | <a href="#">162</a>        |
| 5.12     | Power Sequencing .....  | <a href="#">29</a>        | 8.7      | Glossary .....  | <a href="#">162</a>        |
| 5.13     | Clock Specifications .....  | <a href="#">32</a>        | <b>9</b> | <b>机械、封装和可订购信息</b> .....                              | <b><a href="#">163</a></b> |
|          |   |                           | 9.1      | 封装信息 .....  | <a href="#">163</a>        |

## 2 修订历史记录

注：之前版本的页码可能与当前版本有所不同。

| Changes from July 2, 2014 to March 22, 2016 (from E Revision (July 2014) to F Revision)  | Page                |
|--|---------------------|
| • 全局：已将“CAN 2.0B”更改为“ISO11898-1 (CAN 2.0B)”。   | <a href="#">1</a>   |
| • <a href="#">Table 3-1</a> (Device Comparison): Changed the number of High-resolution ePWM Channels on the 80-Pin PN/PFP packages from 6 to 8.  | <a href="#">7</a>   |
| • <a href="#">Table 3-1</a> : Removed "Product status" row and associated footnote.  | <a href="#">7</a>   |
| • <a href="#">Figure 4-1</a> (80-Pin PN and PFP Packages (Top View)): Added footnote about PowerPAD.   | <a href="#">9</a>   |
| • <a href="#">Figure 4-2</a> (100-Pin PZ and PZP Packages (Top View)): Added footnote about PowerPAD.  | <a href="#">10</a>  |
| • <a href="#">Section 4.2</a> (Signal Descriptions): Added "GPIO26–27" to NOTE.  | <a href="#">11</a>  |
| • <a href="#">Table 4-1</a> (Signal Descriptions): Updated DESCRIPTION of X1, $V_{REFHI}$ , $V_{REFLO}$ , and $V_{DDIO}$ .   | <a href="#">11</a>  |
| • <a href="#">Section 5.1</a> (Absolute Maximum Ratings): Added Input voltage, $V_{IN}$ (X1).  | <a href="#">19</a>  |
| • <a href="#">Section 5.1</a> : Added $T_{stg}$ .  | <a href="#">19</a>  |
| • <a href="#">Section 5.2</a> (ESD Ratings for TMS320F2806xU): Added section.  | <a href="#">19</a>  |
| • <a href="#">Section 5.3</a> (ESD Ratings for TMS320F2806x, TMS320F2806xM, and TMS320F2806xF): Changed title from "Handling Ratings" to "ESD Ratings for TMS320F2806x, TMS320F2806xM, and TMS320F2806xF". | <a href="#">19</a>  |
| • <a href="#">Section 5.3</a> : Updated footnotes.   | <a href="#">19</a>  |
| • <a href="#">Section 5.4</a> (Recommended Operating Conditions): Removed footnote that read " $V_{DDIO}$ and $V_{DDA}$ should be maintained within approximately 0.3 V of each other".                    | <a href="#">20</a>  |
| • <a href="#">Section 5.6</a> (Power Consumption Summary): Changed section title from "Current Consumption" to "Power Consumption Summary".  | <a href="#">21</a>  |
| • <a href="#">Section 5.12</a> (Power Sequencing): Updated paragraph that reads "There is no power sequencing requirement needed ...".   | <a href="#">29</a>  |
| • <a href="#">Table 5-10</a> (XCLKOUT Switching Characteristics (PLL Bypassed or Enabled)): Added MAX value for $t_{r(XCO)}$ .   | <a href="#">34</a>  |
| • <a href="#">Table 5-10</a> : Added MAX value for $t_{r(XCO)}$ .  | <a href="#">34</a>  |
| • <a href="#">Table 5-15</a> (Flash/OTP Access Timing): Removed footnote.  | <a href="#">36</a>  |
| • <a href="#">Figure 6-1</a> (28069 Memory Map): Added "FAST and SpinTAC Libraries" block. Changed size of Boot ROM.   | <a href="#">48</a>  |
| • <a href="#">Figure 6-2</a> (28068 Memory Map): Added "FAST and SpinTAC Libraries" block. Changed size of Boot ROM.   | <a href="#">49</a>  |
| • <a href="#">Figure 6-3</a> (28067 Memory Map): Added figure.   | <a href="#">50</a>  |
| • <a href="#">Figure 6-8</a> (28062 Memory Map): Added "FAST and SpinTAC Libraries" block. Changed size of Boot ROM.   | <a href="#">55</a>  |
| • <a href="#">Section 6.6.2</a> (Crystal Oscillator Option): Added paragraph that begins "The on-chip crystal oscillator X1 and X2 pins are 1.8-V level signals ...".                                      | <a href="#">67</a>  |
| • <a href="#">Section 6.9.6.1.2</a> (McBSP as SPI Master or Slave Timing): Replaced "For all SPI slave modes ..." paragraphs with "For all SPI slave modes ..." table footnotes.                           | <a href="#">115</a> |
| • <a href="#">Table 6-44</a> (McBSP as SPI Master or Slave Timing Requirements (CLKSTP = 10b, CLKXP = 0)): Added "For all SPI slave modes ..." footnote.   | <a href="#">115</a> |
| • <a href="#">Table 6-46</a> (McBSP as SPI Master or Slave Timing Requirements (CLKSTP = 11b, CLKXP = 0)): Added "For all SPI slave modes ..." footnote.   | <a href="#">116</a> |
| • <a href="#">Table 6-48</a> (McBSP as SPI Master or Slave Timing Requirements (CLKSTP = 10b, CLKXP = 1)): Added "For all SPI slave modes ..." footnote.   | <a href="#">117</a> |
| • <a href="#">Table 6-50</a> (McBSP as SPI Master or Slave Timing Requirements (CLKSTP = 11b, CLKXP = 1)): Added "For all SPI slave modes ..." footnote.   | <a href="#">118</a> |
| • <a href="#">Table 6-65</a> (HRCAP Registers): Added reference to footnote for HCICLR and HCIFRC.   | <a href="#">137</a> |
| • <a href="#">Section 7</a> (Applications, Implementation, and Layout): Added section.   | <a href="#">156</a> |
| • <a href="#">节 8.1.1.1</a> (使用入门)：已更新链接。  | <a href="#">159</a> |
| • <a href="#">图 8-1</a> (器件命名规则)：已更新器件列表。  | <a href="#">160</a> |
| • <a href="#">节 8.2</a> (文档支持)：已添加应用报告《计算嵌入式处理器的有效使用寿命》(文献编号：SPRABX4)至应用报告列表。  | <a href="#">161</a> |
| • <a href="#">节 8.2.1</a> (接收文档更新通知)：新增了章节。  | <a href="#">162</a> |

### 3 Device Comparison

Table 3-1. Device Comparison

| FEATURE  | TYPE <sup>(1)</sup>  | 28069<br>28069U <sup>(2) (3)</sup><br>28069M <sup>(2) (4)</sup><br>28069F <sup>(2) (4)</sup><br>(90 MHz) |                     | 28068<br>28068U <sup>(2) (3)</sup><br>28068M <sup>(2) (4)</sup><br>28068F <sup>(2) (4)</sup><br>(90 MHz) |                     | 28067<br>28067U <sup>(2) (3)</sup><br>(90 MHz) |                     | 28066<br>28066U <sup>(2) (3)</sup><br>(90 MHz) |                     | 28065<br>28065U <sup>(2) (3)</sup><br>(90 MHz) |                     | 28064<br>28064U <sup>(2) (3)</sup><br>(90 MHz) |                     | 28063<br>28063U <sup>(2) (3)</sup><br>(90 MHz) |                     | 28062<br>28062U <sup>(2) (3)</sup><br>28062F <sup>(2) (4)</sup><br>(90 MHz) |                     |
|--|----------------------|--|---------------------|--|---------------------|--|---------------------|--|---------------------|--|---------------------|--|---------------------|--|---------------------|---|---------------------|
|  |                      | 100-Pin<br>PZ<br>PZP   | 80-Pin<br>PN<br>PFP | 100-Pin<br>PZ<br>PZP   | 80-Pin<br>PN<br>PFP | 100-Pin<br>PZ<br>PZP                           | 80-Pin<br>PN<br>PFP | 100-Pin<br>PZ<br>PZP                           | 80-Pin<br>PN<br>PFP | 100-Pin<br>PZ<br>PZP                           | 80-Pin<br>PN<br>PFP | 100-Pin<br>PZ<br>PZP                           | 80-Pin<br>PN<br>PFP | 100-Pin<br>PZ<br>PZP                           | 80-Pin<br>PN<br>PFP | 100-Pin<br>PZ<br>PZP  | 80-Pin<br>PN<br>PFP |
| Instruction cycle                                      | –                    | 11.11 ns   |                     | 11.11 ns   |                     | 11.11 ns                                       |                     | 11.11 ns                                       |                     | 11.11 ns                                       |                     | 11.11 ns                                       |                     | 11.11 ns                                       |                     | 11.11 ns  |                     |
| Floating-Point Unit (FPU)                              |                      | Yes  |                     | Yes  |                     | Yes  |                     | Yes  |                     | Yes  |                     | Yes  |                     | Yes  |                     | Yes   |                     |
| VCU  |                      | Yes  |                     | Yes  |                     | No   |                     | No   |                     | Yes  |                     | Yes  |                     | No   |                     | No  |                     |
| CLA  | 0                    | Yes  |                     | No   |                     | No   |                     | No   |                     | Yes  |                     | No   |                     | No   |                     | No  |                     |
| 6-Channel DMA  | 0                    | Yes  |                     | Yes  |                     | Yes  |                     | Yes  |                     | Yes  |                     | Yes  |                     | Yes  |                     | Yes   |                     |
| On-chip Flash (16-bit word)                            | –                    | 128K   |                     | 128K   |                     | 128K   |                     | 128K   |                     | 64K  |                     | 64K  |                     | 64K  |                     | 64K   |                     |
| On-chip SARAM (16-bit word)                            | –                    | 50K  |                     | 50K  |                     | 50K  |                     | 34K  |                     | 50K  |                     | 50K  |                     | 34K  |                     | 26K   |                     |
| Code security for on-chip Flash, SARAM, and OTP blocks | –                    | Yes  |                     | Yes  |                     | Yes  |                     | Yes  |                     | Yes  |                     | Yes  |                     | Yes  |                     | Yes   |                     |
| Boot ROM (32K x 16)                                    | –                    | Yes  |                     | Yes  |                     | Yes  |                     | Yes  |                     | Yes  |                     | Yes  |                     | Yes  |                     | Yes   |                     |
| One-time programmable (OTP) ROM (16-bit word)          | –                    | 1K   |                     | 1K   |                     | 1K   |                     | 1K   |                     | 1K   |                     | 1K   |                     | 1K   |                     | 1K  |                     |
| ePWM channels  | 1                    | 16   | 14                  | 16   | 14                  | 16   | 14                  | 16   | 14                  | 16   | 14                  | 16   | 14                  | 16   | 14                  | 16  | 14                  |
| High-resolution ePWM Channels                          | 1                    | 8  |                     | 8  |                     | 8  |                     | 8  |                     | 8  |                     | 8  |                     | 8  |                     | 8   |                     |
| eCAP inputs  | 0                    | 3  |                     | 3  |                     | 3  |                     | 3  |                     | 3  |                     | 3  |                     | 3  |                     | 3   |                     |
| HRCAP  | 0                    | 4  | 1                   | 4  | 1                   | 4  | 1                   | 4  | 1                   | 4  | 1                   | 4  | 1                   | 4  | 1                   | 4   | 1                   |
| eQEP modules   | 0                    | 2  | 1                   | 2  | 1                   | 2  | 1                   | 2  | 1                   | 2  | 1                   | 2  | 1                   | 2  | 1                   | 2   | 1                   |
| Watchdog timer   | –                    | Yes  |                     | Yes  |                     | Yes  |                     | Yes  |                     | Yes  |                     | Yes  |                     | Yes  |                     | Yes   |                     |
| 12-Bit ADC   | MSPS                 | 3.46   |                     | 3.46   |                     | 3.46   |                     | 3.46   |                     | 3.46   |                     | 3.46   |                     | 3.46   |                     | 3.46  |                     |
|  | Conversion Time      | 289 ns   |                     | 289 ns   |                     | 289 ns   |                     | 289 ns   |                     | 289 ns   |                     | 289 ns   |                     | 289 ns   |                     | 289 ns  |                     |
|  | Channels             | 16   | 12                  | 16   | 12                  | 16   | 12                  | 16   | 12                  | 16   | 12                  | 16   | 12                  | 16   | 12                  | 16  | 12                  |
|  | Temperature Sensor   | Yes  |                     | Yes  |                     | Yes  |                     | Yes  |                     | Yes  |                     | Yes  |                     | Yes  |                     | Yes   |                     |
|  | Dual Sample-and-Hold | Yes  |                     | Yes  |                     | Yes  |                     | Yes  |                     | Yes  |                     | Yes  |                     | Yes  |                     | Yes   |                     |
| 32-Bit CPU timers                                      | –                    | 3  |                     | 3  |                     | 3  |                     | 3  |                     | 3  |                     | 3  |                     | 3  |                     | 3   |                     |
| Comparators with Integrated DACs                       | 0                    | 3  |                     | 3  |                     | 3  |                     | 3  |                     | 3  |                     | 3  |                     | 3  |                     | 3   |                     |
| I <sup>2</sup> C                                       | 0                    | 1  |                     | 1  |                     | 1  |                     | 1  |                     | 1  |                     | 1  |                     | 1  |                     | 1   |                     |

- (1) A type change represents a major functional feature difference in a peripheral module. Within a peripheral type, there may be minor differences between devices that do not affect the basic functionality of the module. These device-specific differences are listed in the *TMS320x28xx, 28xxx DSP Peripheral Reference Guide (SPRU566)* and in the peripheral reference guides.
- (2) USB is present on TMS320F2806xU, TMS320F2806xM, and TMS320F2806xF devices.
- (3) The "Q" temperature option is **not** available on the TMS320F2806xU devices.
- (4) TMS320F2806xM devices are InstaSPIN-MOTION-enabled MCUs. TMS320F2806xF devices are InstaSPIN-FOC-enabled MCUs. For more information, see [§ 8.2](#) for a list of InstaSPIN Technical Reference Manuals.

Table 3-1. Device Comparison (continued)

| FEATURE  | TYPE <sup>(1)</sup>                 | 28069<br>28069U <sup>(2) (3)</sup><br>28069M <sup>(2) (4)</sup><br>28069F <sup>(2) (4)</sup><br>(90 MHz) |                     | 28068<br>28068U <sup>(2) (3)</sup><br>28068M <sup>(2) (4)</sup><br>28068F <sup>(2) (4)</sup><br>(90 MHz) |                     | 28067<br>28067U <sup>(2) (3)</sup><br>(90 MHz) |                     | 28066<br>28066U <sup>(2) (3)</sup><br>(90 MHz) |                     | 28065<br>28065U <sup>(2) (3)</sup><br>(90 MHz) |                     | 28064<br>28064U <sup>(2) (3)</sup><br>(90 MHz) |                     | 28063<br>28063U <sup>(2) (3)</sup><br>(90 MHz) |                     | 28062<br>28062U <sup>(2) (3)</sup><br>28062F <sup>(2) (4)</sup><br>(90 MHz) |                     |       |
|--|-------------------------------------|--|---------------------|--|---------------------|--|---------------------|--|---------------------|--|---------------------|--|---------------------|--|---------------------|---|---------------------|-------|
|  |                                     | 100-Pin<br>PZ<br>PZP   | 80-Pin<br>PN<br>PFP | 100-Pin<br>PZ<br>PZP   | 80-Pin<br>PN<br>PFP | 100-Pin<br>PZ<br>PZP                           | 80-Pin<br>PN<br>PFP | 100-Pin<br>PZ<br>PZP                           | 80-Pin<br>PN<br>PFP | 100-Pin<br>PZ<br>PZP                           | 80-Pin<br>PN<br>PFP | 100-Pin<br>PZ<br>PZP                           | 80-Pin<br>PN<br>PFP | 100-Pin<br>PZ<br>PZP                           | 80-Pin<br>PN<br>PFP | 100-Pin<br>PZ<br>PZP  | 80-Pin<br>PN<br>PFP |       |
| Package Type<br>(PFP and PZP are PowerPAD HTQFPs.<br>PN and PZ are LQFPs.) |                                     |  |                     |  |                     |  |                     |  |                     |  |                     |  |                     |  |                     |   |                     |       |
| McBSP  | 1                                   | 1  |                     | 1  |                     | 1  |                     | 1  |                     | 1  |                     | 1  |                     | 1  |                     | 1   |                     |       |
| eCAN   | 0                                   | 1  |                     | 1  |                     | 1  |                     | 1  |                     | 1  |                     | 1  |                     | 1  |                     | 1   |                     |       |
| SPI  | 1                                   | 2  |                     | 2  |                     | 2  |                     | 2  |                     | 2  |                     | 2  |                     | 2  |                     | 2   |                     |       |
| SCI  | 0                                   | 2  |                     | 2  |                     | 2  |                     | 2  |                     | 2  |                     | 2  |                     | 2  |                     | 2   |                     |       |
| USB  | 0                                   | 1 <sup>(2)</sup>   |                     | 1 <sup>(2)</sup>   |                     | 1 <sup>(2)</sup>                               |                     | 1 <sup>(2)</sup>                               |                     | 1 <sup>(2)</sup>                               |                     | 1 <sup>(2)</sup>                               |                     | 1 <sup>(2)</sup>                               |                     | 1 <sup>(2)</sup>  |                     |       |
| 2-pin Oscillator   |                                     | 1  |                     | 1  |                     | 1  |                     | 1  |                     | 1  |                     | 1  |                     | 1  |                     | 1   |                     |       |
| 0-pin Oscillator   |                                     | 2  |                     | 2  |                     | 2  |                     | 2  |                     | 2  |                     | 2  |                     | 2  |                     | 2   |                     |       |
| I/O pins<br>(shared)   | GPIO                                | –  | 54                  | 40   | 54                  | 40   | 54                  | 40   | 54                  | 40   | 54                  | 40   | 54                  | 40   | 54                  | 40  | 54                  | 40    |
|  | AIO                                 | –  | 6                   |  | 6                   |  | 6                   |  | 6                   |  | 6                   |  | 6                   |  | 6                   |   | 6                   |       |
| External interrupts  | –                                   | 3  |                     | 3  |                     | 3  |                     | 3  |                     | 3  |                     | 3  |                     | 3  |                     | 3   |                     | 3     |
| Supply voltage (nominal)   | –                                   | 3.3 V  |                     | 3.3 V  |                     | 3.3 V  |                     | 3.3 V  |                     | 3.3 V  |                     | 3.3 V  |                     | 3.3 V  |                     | 3.3 V   |                     | 3.3 V |
| Temperature<br>options   | T: –40°C to 105°C                   | –  | PZ                  | PN   | PZ                  | PN   | PZ                  | PN   | PZ                  | PN   | PZ                  | PN   | PZ                  | PN   | PZ                  | PN  | PZ                  | PN    |
|  | S: –40°C to 125°C                   | –  | PZP                 | PFP  | PZP                 | PFP  | PZP                 | PFP  | PZP                 | PFP  | PZP                 | PFP  | PZP                 | PFP  | PZP                 | PFP   | PZP                 | PFP   |
|  | Q: –40°C to 125°C <sup>(3)(5)</sup> | –  | PZP                 | PFP  | PZP                 | PFP  | PZP                 | PFP  | PZP                 | PFP  | PZP                 | PFP  | PZP                 | PFP  | PZP                 | PFP   | PZP                 | PFP   |

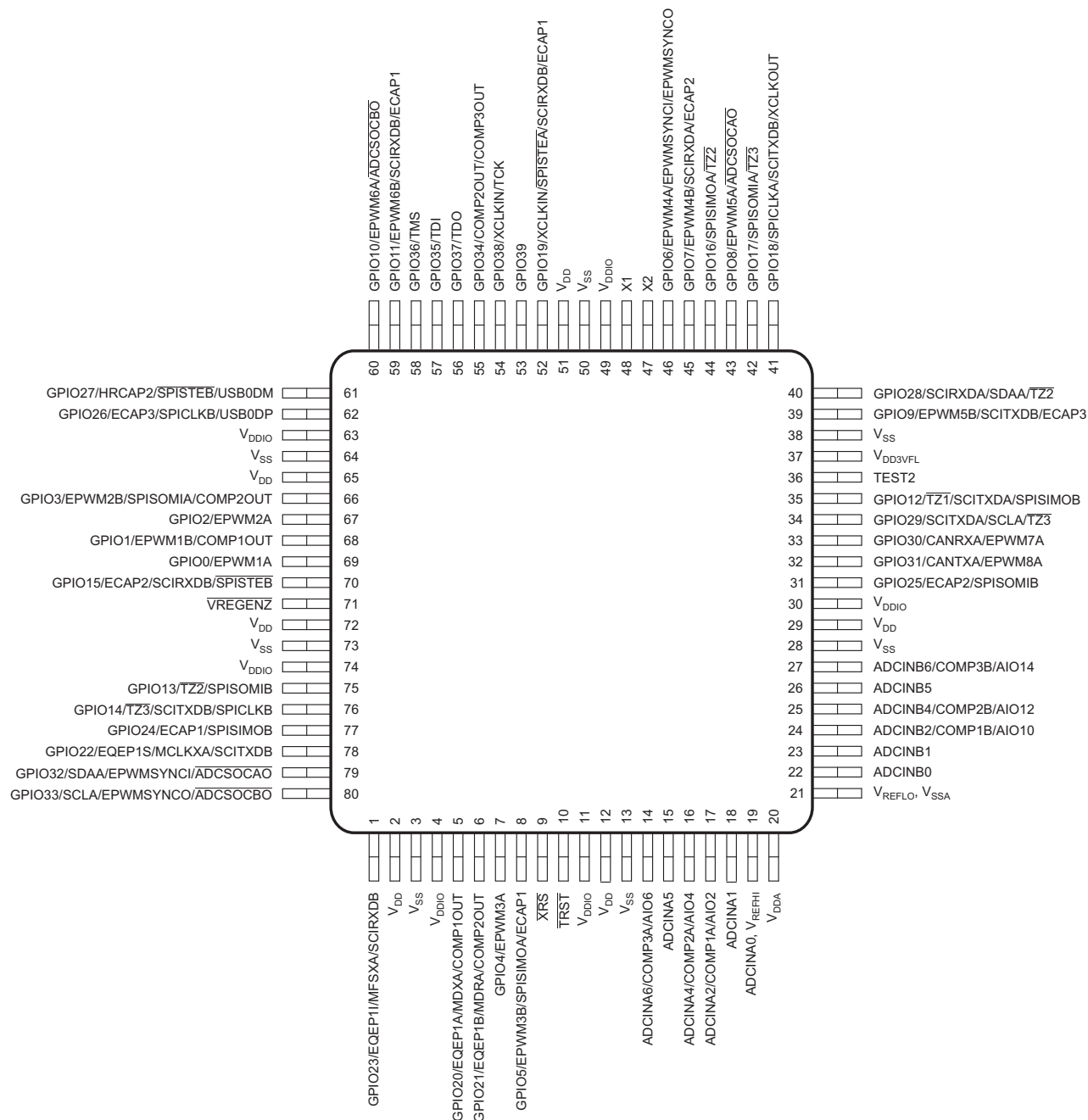
(5) "Q" refers to Q100 qualification for automotive applications.



## 4 Terminal Configuration and Functions

### 4.1 Pin Diagrams

Figure 4-1 shows the pin assignments on the 80-pin PN and PFP packages. Figure 4-2 shows the pin assignments on the 100-pin PZ and PZP packages.



- Pin 19: V<sub>REFHI</sub> and ADCINA0 share the same pin on the 80-pin PN and PFP devices and their use is mutually exclusive to one another.  
Pin 21: V<sub>REFLO</sub> is always connected to V<sub>SSA</sub> on the 80-pin PN and PFP devices.
- The PowerPAD is not connected to the ground on the die. To facilitate effective heat dissipation, the PowerPAD must be connected to the ground plane of the PCB. It should not be left unconnected. For more details, see the *PowerPAD™ Thermally Enhanced Package Application Report (SLMA002)*.

Figure 4-1. 80-Pin PN and PFP Packages (Top View)



## 4.2 Signal Descriptions

Table 4-1 describes the signals. With the exception of the JTAG pins, the GPIO function is the default at reset, unless otherwise mentioned. The peripheral signals that are listed under them are alternate functions. Some peripheral functions may not be available in all devices. See Table 3-1 for details. Inputs are not 5-V tolerant. All GPIO pins are I/O/Z and have an internal pullup (PU), which can be selectively enabled or disabled on a per-pin basis. This feature only applies to the GPIO pins. The pullups on the PWM pins are not enabled at reset. The pullups on other GPIO pins are enabled upon reset. The AIO pins do not have an internal pullup.

### NOTE

When the on-chip voltage regulator (VREG) is used, the GPIO19, GPIO26–27, and GPIO34–38 pins could glitch during power up. If this is unacceptable in an application, 1.8 V could be supplied externally. There is no power-sequencing requirement when using an external 1.8-V supply. However, if the 3.3-V transistors in the level-shifting output buffers of the I/O pins are powered before the 1.9-V transistors, it is possible for the output buffers to turn on, causing a glitch to occur on the pin during power up. To avoid this behavior, power the  $V_{DD}$  pins before or simultaneously with the  $V_{DDIO}$  pins, ensuring that the  $V_{DD}$  pins have reached 0.7 V before the  $V_{DDIO}$  pins reach 0.7 V.

**Table 4-1. Signal Descriptions<sup>(1)</sup>**

| PIN NAME                 | PIN NO.    |           | I/O/Z | DESCRIPTION  |
|--------------------------|------------|-----------|-------|--|
|                          | PZ<br>PZP  | PN<br>PFP |       |  |
| <b>JTAG</b>              |            |           |       |  |
| $\overline{\text{TRST}}$ | 12         | 10        | I     | JTAG test reset with internal pulldown (PD). $\overline{\text{TRST}}$ , when driven high, gives the scan system control of the operations of the device. If this signal is not connected or driven low, the device operates in its functional mode, and the test reset signals are ignored. <b>NOTE:</b> $\overline{\text{TRST}}$ is an active-high test pin and must be maintained low at all times during normal device operation. An external pulldown resistor is required on this pin. The value of this resistor should be based on drive strength of the debugger pods applicable to the design. A 2.2-k $\Omega$ resistor generally offers adequate protection. Because this is application-specific, TI recommends validating each target board for proper operation of the debugger and the application. (↓) |
| TCK                      | See GPIO38 |           | I     | See GPIO38. JTAG test clock with internal pullup. (↑)  |
| TMS                      | See GPIO36 |           | I     | See GPIO36. JTAG test-mode select (TMS) with internal pullup. This serial control input is clocked into the TAP controller on the rising edge of TCK. (↑)  |
| TDI                      | See GPIO35 |           | I     | See GPIO35. JTAG test data input (TDI) with internal pullup. TDI is clocked into the selected register (instruction or data) on a rising edge of TCK. (↑)  |
| TDO                      | See GPIO37 |           | O/Z   | See GPIO37. JTAG scan out, test data output (TDO). The contents of the selected register (instruction or data) are shifted out of TDO on the falling edge of TCK. (8-mA drive)   |
| <b>FLASH</b>             |            |           |       |  |
| $V_{DD3VFL}$             | 46         | 37        |       | 3.3-V Flash Core Power Pin. This pin should be connected to 3.3 V at all times.  |
| TEST2                    | 45         | 36        | I/O   | Test Pin. Reserved for TI. Must be left unconnected.   |

**Table 4-1. Signal Descriptions<sup>(1)</sup> (continued)**

| PIN NAME                           | PIN NO.               |        | I/O/Z | DESCRIPTION   |
|------------------------------------|-----------------------|--------|-------|---|
|                                    | PZ PZP                | PN PFP |       |   |
| <b>CLOCK</b>                       |                       |        |       |   |
| XCLKOUT                            | See GPIO18            |        | O/Z   | See GPIO18. Output clock derived from SYSCLKOUT. XCLKOUT is either the same frequency, one-half the frequency, or one-fourth the frequency of SYSCLKOUT. This is controlled by bits 1:0 (XCLKOUTDIV) in the XCLK register. At reset, XCLKOUT = SYSCLKOUT/4. The XCLKOUT signal can be turned off by setting XCLKOUTDIV to 3. The mux control for GPIO18 must also be set to XCLKOUT for this signal to propagate to the pin.  |
| XCLKIN                             | See GPIO19 and GPIO38 |        | I     | See GPIO19 and GPIO38. External oscillator input. Pin source for the clock is controlled by the XCLKINSEL bit in the XCLK register, GPIO38 is the default selection. This pin feeds a clock from an external 3.3-V oscillator. In this case, the X1 pin, if available, must be tied to GND and the on-chip crystal oscillator must be disabled through bit 14 in the CLKCTL register. If a crystal or resonator is used, the XCLKIN path must be disabled by bit 13 in the CLKCTL register.<br><b>NOTE:</b> Designs that use the GPIO38/XCLKIN/TCK pin to supply an external clock for normal device operation may need to incorporate some hooks to disable this path during debug using the JTAG connector. This is to prevent contention with the TCK signal, which is active during JTAG debug sessions. The zero-pin internal oscillators may be used during this time to clock the device.  |
| X1                                 | 60                    | 48     | I     | On-chip 1.8-V crystal-oscillator input. To use this oscillator, a quartz crystal or a ceramic resonator must be connected across X1 and X2. In this case, the XCLKIN path must be disabled by bit 13 in the CLKCTL register. If this pin is not used, it must be tied to GND.   |
| X2                                 | 59                    | 47     | O     | On-chip crystal-oscillator output. A quartz crystal or a ceramic resonator must be connected across X1 and X2. If X2 is not used, it must be left unconnected.  |
| <b>RESET</b>                       |                       |        |       |   |
| $\overline{\text{XRS}}$            | 11                    | 9      | I/OD  | Device Reset (in) and Watchdog Reset (out). Piccolo devices have a built-in power-on reset (POR) and brown-out reset (BOR) circuitry. During a power-on or brown-out condition, this pin is driven low by the device. An external circuit may also drive this pin to assert a device reset. This pin is <u>also</u> driven low by the MCU when a watchdog reset occurs. During watchdog reset, the XRS pin is driven low for the watchdog reset duration of 512 OSCCLK cycles. A resistor between 2.2 k $\Omega$ and 10 k $\Omega$ should be placed between XRS and V <sub>DDIO</sub> . If a capacitor is placed between XRS and V <sub>SS</sub> for noise filtering, it <u>should</u> be 100 nF or smaller. These values will allow the watchdog to properly drive the XRS pin to V <sub>OL</sub> within 512 OSCCLK cycles when the watchdog reset is asserted. Regardless of the source, a device reset causes the device to terminate execution. The program counter points to the address contained at the location 0x3F FFC0. When reset is deactivated, execution begins at the location designated by the program counter. The output buffer of this pin is an open-drain with an internal pullup. (†) |
| <b>ADC, COMPARATOR, ANALOG I/O</b> |                       |        |       |   |
| ADCINA7                            | 16                    | –      | I     | ADC Group A, Channel 7 input  |
| ADCINA6                            |                       |        | I     | ADC Group A, Channel 6 input  |
| COMP3A                             | 17                    | 14     | I     | Comparator Input 3A   |
| AIO6                               |                       |        | I/O   | Digital AIO 6   |
| ADCINA5                            | 18                    | 15     | I     | ADC Group A, Channel 5 input  |
| ADCINA4                            |                       |        | I     | ADC Group A, Channel 4 input  |
| COMP2A                             | 19                    | 16     | I     | Comparator Input 2A   |
| AIO4                               |                       |        | I/O   | Digital AIO 4   |
| ADCINA3                            | 20                    | –      | I     | ADC Group A, Channel 3 input  |
| ADCINA2                            |                       |        | I     | ADC Group A, Channel 2 input  |
| COMP1A                             | 21                    | 17     | I     | Comparator Input 1A   |
| AIO2                               |                       |        | I/O   | Digital AIO 2   |
| ADCINA1                            | 22                    | 18     | I     | ADC Group A, Channel 1 input  |
| ADCINA0                            | 23                    | 19     | I     | ADC Group A, Channel 0 input.<br><b>NOTE:</b> V <sub>REFHI</sub> and ADCINA0 share the same pin on the 80-pin PN and PFP devices and their use is mutually exclusive to one another.  |

**Table 4-1. Signal Descriptions<sup>(1)</sup> (continued)**

| PIN NAME                 | PIN NO.   |           | I/O/Z | DESCRIPTION   |
|--------------------------|-----------|-----------|-------|---|
|                          | PZ<br>PZP | PN<br>PFP |       |   |
| V <sub>REFHI</sub>       | 24        | 19        |       | ADC External Reference High – only used when in ADC external reference mode. See <a href="#">Section 6.9.2.1</a> .<br><b>NOTE:</b> V <sub>REFHI</sub> and ADCINA0 share the same pin on the 80-pin PN and PFP devices and their use is mutually exclusive to one another. |
| ADCINB7                  | 35        | –         | I     | ADC Group B, Channel 7 input  |
| ADCINB6                  |           |           | I     | ADC Group B, Channel 6 input  |
| COMP3B                   | 34        | 27        | I     | Comparator Input 3B   |
| AIO14                    |           |           | I/O   | Digital AIO 14  |
| ADCINB5                  | 33        | 26        | I     | ADC Group B, Channel 5 input  |
| ADCINB4                  |           |           | I     | ADC Group B, Channel 4 input  |
| COMP2B                   | 32        | 25        | I     | Comparator Input 2B   |
| AIO12                    |           |           | I/O   | Digital AIO12   |
| ADCINB3                  | 31        | –         | I     | ADC Group B, Channel 3 input  |
| ADCINB2                  |           |           | I     | ADC Group B, Channel 2 input  |
| COMP1B                   | 30        | 24        | I     | Comparator Input 1B   |
| AIO10                    |           |           | I/O   | Digital AIO 10  |
| ADCINB1                  | 29        | 23        | I     | ADC Group B, Channel 1 input  |
| ADCINB0                  | 28        | 22        | I     | ADC Group B, Channel 0 input  |
| V <sub>REFLO</sub>       | 27        | 21        |       | ADC External Reference Low.<br><b>NOTE:</b> V <sub>REFLO</sub> is always connected to V <sub>SSA</sub> on the 80-pin PN and PFP devices.  |
| <b>CPU AND I/O POWER</b> |           |           |       |   |
| V <sub>DDA</sub>         | 25        | 20        |       | Analog Power Pin. Tie with a 2.2-μF capacitor (typical) close to the pin.   |
| V <sub>SSA</sub>         | 26        | 21        |       | Analog Ground Pin.<br><b>NOTE:</b> V <sub>REFLO</sub> is always connected to V <sub>SSA</sub> on the 80-pin PN and PFP devices.   |
| V <sub>DD</sub>          | 3         | 2         |       | CPU and Logic Digital Power Pins. When using internal VREG, place one 1.2-μF capacitor between each V <sub>DD</sub> pin and ground. Higher value capacitors may be used.  |
|                          | 14        | 12        |       |   |
|                          | 37        | 29        |       |   |
|                          | 63        | 51        |       |   |
|                          | 81        | 65        |       |   |
|                          | 91        | 72        |       |   |
| V <sub>DDIO</sub>        | 5         | 4         |       | Digital I/O and Flash Power Pin. Single supply source when VREG is enabled. Place a 2.2-μF decoupling capacitor on each pin. The exact value of the total decoupling capacitance should be determined by the system voltage regulation solution.                          |
|                          | 13        | 11        |       |   |
|                          | 38        | 30        |       |   |
|                          | 61        | 49        |       |   |
|                          | 79        | 63        |       |   |
|                          | 93        | 74        |       |   |
| V <sub>SS</sub>          | 4         | 3         |       | Digital Ground Pins   |
|                          | 15        | 13        |       |   |
|                          | 36        | 28        |       |   |
|                          | 47        | 38        |       |   |
|                          | 62        | 50        |       |   |
|                          | 80        | 64        |       |   |
|                          | 92        | 73        |       |   |

**Table 4-1. Signal Descriptions<sup>(1)</sup> (continued)**

| PIN NAME   | PIN NO. |        | I/O/Z                    | DESCRIPTION   |
|--|---------|--------|--------------------------|---|
|  | PZ PZP  | PN PFP |                          |   |
| <b>VOLTAGE REGULATOR CONTROL SIGNAL</b>                |         |        |                          |   |
| VREGENZ  | 90      | 71     | I                        | Internal VREG Enable/Disable. Pull low to enable VREG, pull high to disable VREG.   |
| <b>GPIO AND PERIPHERAL SIGNALS<sup>(2)</sup></b>       |         |        |                          |   |
| <b>GPIO0</b><br>EPWM1A                                 | 87      | 69     | I/O/Z<br>O               | General-purpose input/output 0<br>Enhanced PWM1 Output A and HRPWM channel  |
| <b>GPIO1</b><br>EPWM1B<br>COMP1OUT                     | 86      | 68     | I/O/Z<br>O<br>O          | General-purpose input/output 1<br>Enhanced PWM1 Output B<br>Direct output of Comparator 1   |
| <b>GPIO2</b><br>EPWM2A                                 | 84      | 67     | I/O/Z<br>O               | General-purpose input/output 2<br>Enhanced PWM2 Output A and HRPWM channel  |
| <b>GPIO3</b><br>EPWM2B<br>SPISOMIA<br>COMP2OUT         | 83      | 66     | I/O/Z<br>O<br>I/O<br>O   | General-purpose input/output 3<br>Enhanced PWM2 Output B<br>SPI-A slave out, master in<br>Direct output of Comparator 2                         |
| <b>GPIO4</b><br>EPWM3A                                 | 9       | 7      | I/O/Z<br>O               | General-purpose input/output 4<br>Enhanced PWM3 output A and HRPWM channel  |
| <b>GPIO5</b><br>EPWM3B<br>SPISIMOA<br>ECAP1            | 10      | 8      | I/O/Z<br>O<br>I/O<br>I/O | General-purpose input/output 5<br>Enhanced PWM3 output B<br>SPI-A slave in, master out<br>Enhanced Capture input/output 1                       |
| <b>GPIO6</b><br>EPWM4A<br>EPWMSYNCI<br>EPWMSYNCO       | 58      | 46     | I/O/Z<br>O<br>I<br>O     | General-purpose input/output 6<br>Enhanced PWM4 output A and HRPWM channel<br>External ePWM sync pulse input<br>External ePWM sync pulse output |
| <b>GPIO7</b><br>EPWM4B<br>SCIRXDA<br>ECAP2             | 57      | 45     | I/O/Z<br>O<br>I<br>I/O   | General-purpose input/output 7<br>Enhanced PWM4 output B<br>SCI-A receive data<br>Enhanced Capture input/output 2                               |
| <b>GPIO8</b><br>EPWM5A<br>Reserved<br><u>ADCSOCAO</u>  | 54      | 43     | I/O/Z<br>O<br>–<br>O     | General-purpose input/output 8<br>Enhanced PWM5 output A and HRPWM channel<br>Reserved<br>ADC start-of-conversion A                             |
| <b>GPIO9</b><br>EPWM5B<br>SCITXDB<br>ECAP3             | 49      | 39     | I/O/Z<br>O<br>O<br>I/O   | General-purpose input/output 9<br>Enhanced PWM5 output B<br>SCI-B transmit data<br>Enhanced Capture input/output 3                              |
| <b>GPIO10</b><br>EPWM6A<br>Reserved<br><u>ADCSOCBO</u> | 74      | 60     | I/O/Z<br>O<br>–<br>O     | General-purpose input/output 10<br>Enhanced PWM6 output A and HRPWM channel<br>Reserved<br>ADC start-of-conversion B                            |
| <b>GPIO11</b><br>EPWM6B<br>SCIRXDB<br>ECAP1            | 73      | 59     | I/O/Z<br>O<br>I<br>I/O   | General-purpose input/output 11<br>Enhanced PWM6 output B<br>SCI-B receive data<br>Enhanced Capture input/output 1                              |

**Table 4-1. Signal Descriptions<sup>(1)</sup> (continued)**

| PIN NAME  | PIN NO.   |           | I/O/Z                         | DESCRIPTION  |
|---|-----------|-----------|-------------------------------|--|
|   | PZ<br>PZP | PN<br>PNP |                               |  |
| <b>GPIO12</b><br>$\overline{TZ1}$<br>SCITXDA<br>SPISIMOB                | 44        | 35        | I/O/Z<br>I<br>O<br>I/O        | General-purpose input/output 12<br>Trip Zone input 1<br>SCI-A transmit data<br>SPI-B slave in, master out  |
| <b>GPIO13</b><br>$\overline{TZ2}$<br>Reserved<br>SPISOMIB               | 95        | 75        | I/O/Z<br>I<br>–<br>I/O        | General-purpose input/output 13<br>Trip Zone input 2<br>Reserved<br>SPI-B slave out, master in   |
| <b>GPIO14</b><br>$\overline{TZ3}$<br>SCITXDB<br>SPICLKB                 | 96        | 76        | I/O/Z<br>I<br>O<br>I/O        | General-purpose input/output 14<br>Trip zone input 3<br>SCI-B transmit data<br>SPI-B clock input/output  |
| <b>GPIO15</b><br>ECAP2<br>SCIRXDB<br>$\overline{SPISTEB}$               | 88        | 70        | I/O/Z<br>I/O<br>I<br>I/O      | General-purpose input/output 15<br>Enhanced Capture input/output 2<br>SCI-B receive data<br>SPI-B slave transmit enable input/output   |
| <b>GPIO16</b><br>SPISIMOA<br>Reserved<br>$\overline{TZ2}$               | 55        | 44        | I/O/Z<br>I/O<br>–<br>I        | General-purpose input/output 16<br>SPI-A slave in, master out<br>Reserved<br>Trip Zone input 2   |
| <b>GPIO17</b><br>SPISOMIA<br>Reserved<br>$\overline{TZ3}$               | 52        | 42        | I/O/Z<br>I/O<br>–<br>I        | General-purpose input/output 17<br>SPI-A slave out, master in<br>Reserved<br>Trip zone input 3   |
| <b>GPIO18</b><br>SPICLKA<br>SCITXDB<br>XCLKOUT                          | 51        | 41        | I/O/Z<br>I/O<br>O<br>O/Z      | General-purpose input/output 18<br>SPI-A clock input/output<br>SCI-B transmit data<br>Output clock derived from SYSCLKOUT. XCLKOUT is either the same frequency, one-half the frequency, or one-fourth the frequency of SYSCLKOUT. This is controlled by bits 1:0 (XCLKOUTDIV) in the XCLK register. At reset, XCLKOUT = SYSCLKOUT/4. The XCLKOUT signal can be turned off by setting XCLKOUTDIV to 3. The mux control for GPIO18 must also be set to XCLKOUT for this signal to propagate to the pin. |
| <b>GPIO19</b><br>XCLKIN<br><br>$\overline{SPISTEA}$<br>SCIRXDB<br>ECAP1 | 64        | 52        | I/O/Z<br>I<br>I/O<br>I<br>I/O | General-purpose input/output 19<br>External Oscillator Input. The path from this pin to the clock block is not gated by the mux function of this pin. Care must be taken not to enable this path for clocking if it is being used for the other peripheral functions.<br>SPI-A slave transmit enable input/output<br>SCI-B receive data<br>Enhanced Capture input/output 1   |
| <b>GPIO20</b><br>EQEP1A<br>MDXA<br>COMP1OUT                             | 6         | 5         | I/O/Z<br>I<br>O<br>O          | General-purpose input/output 20<br>Enhanced QEP1 input A<br>McBSP transmit serial data<br>Direct output of Comparator 1  |
| <b>GPIO21</b><br>EQEP1B<br>MDRA<br>COMP2OUT                             | 7         | 6         | I/O/Z<br>I<br>I<br>O          | General-purpose input/output 21<br>Enhanced QEP1 input B<br>McBSP receive serial data<br>Direct output of Comparator 2   |

**Table 4-1. Signal Descriptions<sup>(1)</sup> (continued)**

| PIN NAME  | PIN NO. |        | I/O/Z                             | DESCRIPTION  |
|---|---------|--------|-----------------------------------|--|
|   | PZ PZP  | PN PFP |                                   |  |
| <b>GPIO22</b><br>EQEP1S<br>MCLKXA<br>SCITXDB                          | 98      | 78     | I/O/Z<br>I/O<br>I/O<br>O          | General-purpose input/output 22<br>Enhanced QEP1 strobe<br>McBSP transmit clock<br>SCI-B transmit data   |
| <b>GPIO23</b><br>EQEP1I<br>MFSXA<br>SCIRXDB                           | 2       | 1      | I/O/Z<br>I/O<br>I/O<br>I          | General-purpose input/output 23<br>Enhanced QEP1 index<br>McBSP transmit frame synch<br>SCI-B receive data   |
| <b>GPIO24</b><br>ECAP1<br>EQEP2A<br>SPISIMOB                          | 97      | 77     | I/O/Z<br>I/O<br>I<br>I/O          | General-purpose input/output 24<br>Enhanced Capture input/output 1<br>Enhanced QEP2 input A.<br><b>NOTE:</b> eQEP2 is only available in the PZ and PZP packages.<br>SPI-B slave in, master out   |
| <b>GPIO25</b><br>ECAP2<br>EQEP2B<br>SPISOMIB                          | 39      | 31     | I/O/Z<br>I/O<br>I<br>I/O          | General-purpose input/output 25<br>Enhanced Capture input/output 2<br>Enhanced QEP2 input B.<br><b>NOTE:</b> eQEP2 is only available in the PZ and PZP packages.<br>SPI-B slave out, master in   |
| <b>GPIO26</b><br>ECAP3<br>EQEP2I<br>SPICLKB<br>USB0DP <sup>(3)</sup>  | 78      | 62     | I/O/Z<br>I/O<br>I/O<br>I/O<br>I/O | General-purpose input/output 26<br>Enhanced Capture input/output 3<br>Enhanced QEP2 index.<br><b>NOTE:</b> eQEP2 is only available in the PZ and PZP packages.<br>SPI-B clock input/output<br>Positive Differential half of USB signal. To enable USB functionality on this pin, set the USBIOEN bit in the GPMCTL2 register.                  |
| <b>GPIO27</b><br>HRCAP2<br>EQEP2S<br>SPISTEB<br>USB0DM <sup>(3)</sup> | 77      | 61     | I/O/Z<br>I<br>I/O<br>I/O<br>I/O   | General-purpose input/output 27<br>High-Resolution Input Capture 2<br>Enhanced QEP2 strobe.<br><b>NOTE:</b> eQEP2 is only available in the PZ and PZP packages.<br>SPI-B slave transmit enable input/output<br>Negative Differential half of USB signal. To enable USB functionality on this pin, set the USBIOEN bit in the GPMCTL2 register. |
| <b>GPIO28</b><br>SCIRXDA<br>SDAA<br>TZ2                               | 50      | 40     | I/O/Z<br>I<br>I/OD<br>I           | General-purpose input/output 28<br>SCI-A receive data<br>I <sup>2</sup> C data open-drain bidirectional port<br>Trip zone input 2  |
| <b>GPIO29</b><br>SCITXDA<br>SCLA<br>TZ3                               | 43      | 34     | I/O/Z<br>O<br>I/OD<br>I           | General-purpose input/output 29<br>SCI-A transmit data<br>I <sup>2</sup> C clock open-drain bidirectional port<br>Trip zone input 3  |
| <b>GPIO30</b><br>CANRXA<br>EQEP2I<br>EPWM7A                           | 41      | 33     | I/O/Z<br>I<br>I/O<br>O            | General-purpose input/output 30<br>CAN receive<br>Enhanced QEP2 index.<br><b>NOTE:</b> eQEP2 is only available in the PZ and PZP packages.<br>Enhanced PWM7 Output A and HRPWM channel   |



**Table 4-1. Signal Descriptions<sup>(1)</sup> (continued)**

| PIN NAME                                       | PIN NO.   |           | I/O/Z                   | DESCRIPTION  |
|--|-----------|-----------|-------------------------|--|
|  | PZ<br>PZP | PN<br>PNP |                         |  |
| <b>GPIO31</b><br>CANTXA<br>EQEP2S<br>EPWM8A    | 40        | 32        | I/O/Z<br>O<br>I/O<br>O  | General-purpose input/output 31<br>CAN transmit<br>Enhanced QEP2 strobe.<br><b>NOTE:</b> eQEP2 is only available in the PZ and PZP packages.<br>Enhanced PWM8 Output A and HRPWM channel   |
| <b>GPIO32</b><br>SDAA<br>EPWMSYNCI<br>ADCSOCAO | 99        | 79        | I/O/Z<br>I/OD<br>I<br>O | General-purpose input/output 32<br>I <sup>2</sup> C data open-drain bidirectional port<br>Enhanced PWM external sync pulse input<br>ADC start-of-conversion A  |
| <b>GPIO33</b><br>SCLA<br>EPWMSYNCO<br>ADCSOCBO | 100       | 80        | I/O/Z<br>I/OD<br>O<br>O | General-purpose input/output 33<br>I <sup>2</sup> C clock open-drain bidirectional port<br>Enhanced PWM external synch pulse output<br>ADC start-of-conversion B   |
| <b>GPIO34</b><br>COMP2OUT<br>COMP3OUT          | 68        | 55        | I/O/Z<br>O<br>O         | General-purpose input/output 34<br>Direct output of Comparator 2<br>Direct output of Comparator 3  |
| GPIO35<br>TDI                                  | 71        | 57        | I/O/Z<br>I              | General-purpose input/output 35<br>JTAG test data input (TDI) with internal pullup. TDI is clocked into the selected register (instruction or data) on a rising edge of TCK.   |
| GPIO36<br>TMS                                  | 72        | 58        | I/O/Z<br>I              | General-purpose input/output 36<br>JTAG test-mode select (TMS) with internal pullup. This serial control input is clocked into the TAP controller on the rising edge of TCK.   |
| GPIO37<br>TDO                                  | 70        | 56        | I/O/Z<br>O/Z            | General-purpose input/output 37<br>JTAG scan out, test data output (TDO). The contents of the selected register (instruction or data) are shifted out of TDO on the falling edge of TCK (8 mA drive).  |
| GPIO38<br>XCLKIN<br>TCK                        | 67        | 54        | I/O/Z<br>I<br>I         | General-purpose input/output 38<br>External Oscillator Input. The path from this pin to the clock block is not gated by the mux function of this pin. Care must be taken to not enable this path for clocking if it is being used for the other functions.<br>JTAG test clock with internal pullup |
| GPIO39   | 66        | 53        | I/O/Z                   | General-purpose input/output 39  |
| <b>GPIO40</b><br>EPWM7A<br>SCITXDB             | 82        | –         | I/O/Z<br>O<br>O         | General-purpose input/output 40<br>Enhanced PWM7 output A and HRPWM channel<br>SCI-B transmit data   |
| <b>GPIO41</b><br>EPWM7B<br>SCIRXDB             | 76        | –         | I/O/Z<br>O<br>I         | General-purpose input/output 41<br>Enhanced PWM7 output B<br>SCI-B receive data  |
| <b>GPIO42</b><br>EPWM8A<br>TZ1<br>COMP1OUT     | 1         | –         | I/O/Z<br>O<br>I<br>O    | General-purpose input/output 42<br>Enhanced PWM8 output A and HRPWM channel<br>Trip zone input 1<br>Direct output of Comparator 1  |
| <b>GPIO43</b><br>EPWM8B<br>TZ2<br>COMP2OUT     | 8         | –         | I/O/Z<br>O<br>I<br>O    | General-purpose input/output 43<br>Enhanced PWM8 output B<br>Trip zone input 2<br>Direct output of Comparator 2  |

**Table 4-1. Signal Descriptions<sup>(1)</sup> (continued)**

| PIN NAME  | PIN NO. |        | I/O/Z                    | DESCRIPTION  |
|---|---------|--------|--------------------------|--|
|   | PZ PZP  | PN PFP |                          |  |
| <b><i>GPIO44</i></b><br>MFSRA<br>SCIRXDB<br>EPWM7B                      | 56      | –      | I/O/Z<br>I/O<br>I<br>O   | General-purpose input/output 44<br>McBSP receive frame synch<br>SCI-B receive data<br>Enhanced PWM7 output B                           |
| <b><i>GPIO50</i></b><br>EQEP1A<br>MDXA<br>$\overline{\text{TZ1}}$       | 42      | –      | I/O/Z<br>I<br>O<br>I     | General-purpose input/output 50<br>Enhanced QEP1 input A<br>McBSP transmit serial data<br>Trip zone input 1                            |
| <b><i>GPIO51</i></b><br>EQEP1B<br>MDRA<br>$\overline{\text{TZ2}}$       | 48      | –      | I/O/Z<br>I<br>I<br>I     | General-purpose input/output 51<br>Enhanced QEP1 input B<br>McBSP receive serial data<br>Trip zone input 2                             |
| <b><i>GPIO52</i></b><br>EQEP1S<br>MCLKXA<br>$\overline{\text{TZ3}}$     | 53      | –      | I/O/Z<br>I/O<br>I/O<br>I | General-purpose input/output 52<br>Enhanced QEP1 strobe<br>McBSP transmit clock<br>Trip zone input 3                                   |
| <b><i>GPIO53</i></b><br>EQEP1I<br>MFSXA                                 | 65      | –      | I/O/Z<br>I/O<br>I/O      | General-purpose input/output 53<br>Enhanced QEP1 index<br>McBSP transmit frame synch   |
| <b><i>GPIO54</i></b><br>SPISIMOA<br>EQEP2A<br>HRCAP1                    | 69      | –      | I/O/Z<br>I/O<br>I<br>I   | General-purpose input/output 54<br>SPI-A slave in, master out<br>Enhanced QEP2 input A<br>High-Resolution Input Capture 1              |
| <b><i>GPIO55</i></b><br>SPISOMIA<br>EQEP2B<br>HRCAP2                    | 75      | –      | I/O/Z<br>I/O<br>I<br>I   | General-purpose input/output 55<br>SPI-A slave out, master in<br>Enhanced QEP2 input B<br>High-Resolution Input Capture 2              |
| <b><i>GPIO56</i></b><br>SPICLKA<br>EQEP2I<br>HRCAP3                     | 85      | –      | I/O/Z<br>I/O<br>I/O<br>I | General-purpose input/output 56<br>SPI-A clock input/output<br>Enhanced QEP2 index<br>High-Resolution Input Capture 3                  |
| <b><i>GPIO57</i></b><br>$\overline{\text{SPISTEA}}$<br>EQEP2S<br>HRCAP4 | 89      | –      | I/O/Z<br>I/O<br>I/O<br>I | General-purpose input/output 57<br>SPI-A slave transmit enable input/output<br>Enhanced QEP2 strobe<br>High-Resolution Input Capture 4 |
| <b><i>GPIO58</i></b><br>MCLKRA<br>SCITXDB<br>EPWM7A                     | 94      | –      | I/O/Z<br>I/O<br>O<br>O   | General-purpose input/output 58<br>McBSP receive clock<br>SCI-B transmit data<br>Enhanced PWM7 output A and HRPWM channel              |

(1) I = Input, O = Output, Z = High Impedance, OD = Open Drain,  $\uparrow$  = Pullup,  $\downarrow$  = Pulldown

(2) The GPIO function (shown in bold italics) is the default at reset. The peripheral signals that are listed under them are alternate functions. For JTAG pins that have the GPIO functionality multiplexed, the input path to the GPIO block is always valid. The output path from the GPIO block and the path to the JTAG block from a pin is enabled or disabled based on the condition of the TRST signal. See the Systems Control and Interrupts chapter of the *TMS320x2806x Piccolo Technical Reference Manual (SPRUH18)*.

(3) Depending on your USB application, additional pins may be required to maintain compliance with the USB 2.0 Specification. For more information, see the Universal Serial Bus (USB) Controller chapter of the *TMS320x2806x Piccolo Technical Reference Manual (SPRUH18)*.

## 5 Specifications

### 5.1 Absolute Maximum Ratings<sup>(1)(2)</sup>

over operating free-air temperature range (unless otherwise noted)

|                                     |  | MIN  | MAX | UNIT |
|-------------------------------------|--|------|-----|------|
| Supply voltage                      | V <sub>DDIO</sub> (I/O and Flash) with respect to V <sub>SS</sub>                            | -0.3 | 4.6 | V    |
|                                     | V <sub>DD</sub> with respect to V <sub>SS</sub>  | -0.3 | 2.5 |      |
| Analog voltage                      | V <sub>DDA</sub> with respect to V <sub>SSA</sub>  | -0.3 | 4.6 | V    |
| Input voltage                       | V <sub>IN</sub> (3.3 V)  | -0.3 | 4.6 | V    |
|                                     | V <sub>IN</sub> (X1)   | -0.3 | 2.5 |      |
| Output voltage                      | V <sub>O</sub>   | -0.3 | 4.6 | V    |
| Input clamp current                 | I <sub>IK</sub> (V <sub>IN</sub> < 0 or V <sub>IN</sub> > V <sub>DDIO</sub> ) <sup>(3)</sup> | -20  | 20  | mA   |
| Output clamp current                | I <sub>OK</sub> (V <sub>O</sub> < 0 or V <sub>O</sub> > V <sub>DDIO</sub> )                  | -20  | 20  | mA   |
| Junction temperature <sup>(4)</sup> | T <sub>J</sub>   | -40  | 150 | °C   |
| Storage temperature <sup>(4)</sup>  | T <sub>stg</sub>   | -65  | 150 | °C   |

- (1) Stresses beyond those listed under *Absolute Maximum Ratings* may cause permanent damage to the device. These are stress ratings only, and functional operation of the device at these or any other conditions beyond those indicated under [Section 5.4](#) is not implied. Exposure to absolute-maximum-rated conditions for extended periods may affect device reliability.
- (2) All voltage values are with respect to V<sub>SS</sub>, unless otherwise noted.
- (3) Continuous clamp current per pin is ±2 mA.
- (4) Long-term high-temperature storage or extended use at maximum temperature conditions may result in a reduction of overall device life. For additional information, see the *IC Package Thermal Metrics Application Report (SPRA953)*.

### 5.2 ESD Ratings for TMS320F2806xU

|                    |                               | VALUE  | UNIT  |
|--------------------|-------------------------------|--|-------|
| V <sub>(ESD)</sub> | Electrostatic discharge (ESD) | Human-body model (HBM), per ANSI/ESDA/JEDEC JS-001 <sup>(1)</sup>              | ±2000 |
|                    |                               | Charged-device model (CDM), per JEDEC specification JESD22-C101 <sup>(2)</sup> | ±500  |

- (1) JEDEC document JEP155 states that 500-V HBM allows safe manufacturing with a standard ESD control process.
- (2) JEDEC document JEP157 states that 250-V CDM allows safe manufacturing with a standard ESD control process.

### 5.3 ESD Ratings for TMS320F2806x, TMS320F2806xM, and TMS320F2806xF

|   |                         |   | VALUE  | UNIT  |
|---|-------------------------|---|--|-------|
| TMS320F2806x, TMS320F2806xM, and TMS320F2806xF in 100-pin PZ and PZP packages |                         |   |  |       |
| V <sub>(ESD)</sub>  | Electrostatic discharge | Human body model (HBM), per AEC Q100-002 <sup>(1)</sup> | All pins   | ±2000 |
|   |                         | Charged device model (CDM), per AEC Q100-011            | All pins   | ±500  |
|   |                         |   | Corner pins on 100-pin PZ and PZP:<br>1, 25, 26, 50, 51, 75, 76, 100 | ±750  |
| TMS320F2806x, TMS320F2806xM, and TMS320F2806xF in 80-pin PN and PFP packages  |                         |   |  |       |
| V <sub>(ESD)</sub>  | Electrostatic discharge | Human body model (HBM), per AEC Q100-002 <sup>(1)</sup> | All pins   | ±2000 |
|   |                         | Charged device model (CDM), per AEC Q100-011            | All pins   | ±500  |
|   |                         |   | Corner pins on 80-pin PN and PFP:<br>1, 20, 21, 40, 41, 60, 61, 80   | ±750  |

- (1) AEC Q100-002 indicates HBM stressing is done in accordance with the ANSI/ESDA/JEDEC JS-001 specification.

## 5.4 Recommended Operating Conditions

|   |  | MIN  | NOM | MAX              | UNIT |
|---|--|--|-----|------------------|------|
| Device supply voltage, I/O, $V_{DDIO}$  |  | 2.97   | 3.3 | 3.63             | V    |
| Device supply voltage CPU, $V_{DD}$ (When internal VREG is disabled and 1.8 V is supplied externally) |  | 1.71   | 1.8 | 1.995            | V    |
| Supply ground, $V_{SS}$   |  |  | 0   |                  | V    |
| Analog supply voltage, $V_{DDA}$  |  | 2.97   | 3.3 | 3.63             | V    |
| Analog ground, $V_{SSA}$  |  |  | 0   |                  | V    |
| Device clock frequency (system clock)   |  | 2  |     | 90               | MHz  |
| High-level input voltage, $V_{IH}$ (3.3 V)  |  | 2  |     | $V_{DDIO} + 0.3$ | V    |
| Low-level input voltage, $V_{IL}$ (3.3 V)   |  | $V_{SS} - 0.3$                                   |     | 0.8              | V    |
| High-level output source current, $V_{OH} = V_{OH(MIN)}$ , $I_{OH}$                                   |  | All GPIO/AIO pins                                |     | -4               | mA   |
|   |  | Group 2 <sup>(1)</sup>                           |     | -8               |      |
| Low-level output sink current, $V_{OL} = V_{OL(MAX)}$ , $I_{OL}$                                      |  | All GPIO/AIO pins                                |     | 4                | mA   |
|   |  | Group 2 <sup>(1)</sup>                           |     | 8                |      |
| Junction temperature, $T_J$   |  | T version  |     | 105              | °C   |
|   |  | S version  |     | 125              |      |
| Ambient temperature, $T_A$  |  | Q version <sup>(2)</sup><br>(Q100 qualification) |     | 125              | °C   |

(1) Group 2 pins are as follows: GPIO16, GPIO17, GPIO18, GPIO19, GPIO28, GPIO29, GPIO36, GPIO37.

(2) The "Q" temperature option is **not** available on the 2806xU devices.

## 5.5 Electrical Characteristics<sup>(1)</sup>

over recommended operating conditions (unless otherwise noted)

| PARAMETER |   | TEST CONDITIONS   |   | MIN                  | TYP  | MAX  | UNIT    |         |
|-----------|---|---|---|----------------------|------|------|---------|---------|
| $V_{OH}$  | High-level output voltage                   | $I_{OH} = I_{OH\ MAX}$  |   | 2.4                  |      |      | V       |         |
|           |   | $I_{OH} = 50\ \mu A$  |   | $V_{DDIO} - 0.2$     |      |      |         |         |
| $V_{OL}$  | Low-level output voltage                    | $I_{OL} = I_{OL\ MAX}$  |   | 0.4                  |      |      | V       |         |
| $I_{IL}$  | Input current (low level)                   | Pin with pullup enabled   | $V_{DDIO} = 3.3\ V$ , $V_{IN} = 0\ V$     | All GPIO             | -80  | -140 | -205    | $\mu A$ |
|           |   |   |   | $\overline{XRS}$ pin | -230 | -300 | -375    |         |
| $I_{IH}$  | Input current (high level)                  | Pin with pulldown enabled   | $V_{DDIO} = 3.3\ V$ , $V_{IN} = 0\ V$     |                      |      |      | $\pm 2$ | $\mu A$ |
|           |   | Pin with pullup enabled   | $V_{DDIO} = 3.3\ V$ , $V_{IN} = V_{DDIO}$ |                      |      |      | $\pm 2$ |         |
| $I_{OZ}$  | Output current, pullup or pulldown disabled | Pin with pulldown enabled   | $V_{DDIO} = 3.3\ V$ , $V_{IN} = V_{DDIO}$ | 28                   | 50   | 80   | $\mu A$ |         |
|           |   | Pin with pullup enabled   | $V_{DDIO} = 3.3\ V$ , $V_{IN} = V_{DDIO}$ |                      |      |      |         | $\pm 2$ |
| $I_{OZ}$  | Output current, pullup or pulldown disabled | $V_O = V_{DDIO}$ or $0\ V$  |   |                      |      |      | $\pm 2$ | $\mu A$ |
| $C_I$     | Input capacitance                           |   |   | 2                    |      |      | pF      |         |
|           | $V_{DDIO}$ BOR trip point                   | Falling $V_{DDIO}$  |   | 2.50                 | 2.78 | 2.96 | V       |         |
|           | $V_{DDIO}$ BOR hysteresis                   |   |   | 35                   |      |      | mV      |         |
|           | Supervisor reset release delay time         | Time after BOR/POR/OVR event is removed to $\overline{XRS}$ release |   | 400                  |      | 800  | $\mu s$ |         |
|           | VREG $V_{DD}$ output                        | Internal VREG on  |   | 1.9                  |      |      | V       |         |

(1) When the on-chip VREG is used, its output is monitored by the POR/BOR circuit, which will reset the device should the core voltage ( $V_{DD}$ ) go out of range.

## 5.6 Power Consumption Summary

**Table 5-1. TMS320F2806x Current Consumption at 90-MHz SYSCLKOUT**

| MODE                | TEST CONDITIONS   | VREG ENABLED                     |                       |                                 |       |                     |       | VREG DISABLED         |                       |                                  |        |                                 |       |                     |       |
|---------------------|---|----------------------------------|-----------------------|---------------------------------|-------|---------------------|-------|-----------------------|-----------------------|----------------------------------|--------|---------------------------------|-------|---------------------|-------|
|                     |   | I <sub>DDIO</sub> <sup>(1)</sup> |                       | I <sub>DDA</sub> <sup>(2)</sup> |       | I <sub>DD3VFL</sub> |       | I <sub>DD</sub>       |                       | I <sub>DDIO</sub> <sup>(1)</sup> |        | I <sub>DDA</sub> <sup>(2)</sup> |       | I <sub>DD3VFL</sub> |       |
|                     |   | TYP <sup>(3)</sup>               | MAX                   | TYP <sup>(3)</sup>              | MAX   | TYP <sup>(3)</sup>  | MAX   | TYP <sup>(3)</sup>    | MAX                   | TYP <sup>(3)</sup>               | MAX    | TYP <sup>(3)</sup>              | MAX   | TYP <sup>(3)</sup>  | MAX   |
| Operational (Flash) | The following peripheral clocks are enabled: <ul style="list-style-type: none"> <li>ePWM1, ePWM2, ePWM3, ePWM4, ePWM5, ePWM6, ePWM7, ePWM8</li> <li>eCAP1, eCAP2, eCAP3</li> <li>eQEP1, eQEP2</li> <li>eCAN</li> <li>CLA</li> <li>HRPWM</li> <li>SCI-A, SCI-B</li> <li>SPI-A, SPI-B</li> <li>ADC</li> <li>I<sup>2</sup>C</li> <li>COMP1, COMP2, COMP3</li> <li>CPU-TIMER0, CPU-TIMER1, CPU-TIMER2</li> <li>McBSP</li> <li>USB</li> </ul> All PWM pins are toggled at 90 kHz.<br>All I/O pins are left unconnected. <sup>(4) (5)</sup><br>Code is running out of flash with 3 wait-states.<br>XCLKOUT is turned off. | 185 mA <sup>(6)</sup>            | 245 mA <sup>(6)</sup> | 16 mA                           | 22 mA | 35 mA               | 40 mA | 165 mA <sup>(6)</sup> | 220 mA <sup>(6)</sup> | 15 mA                            | 20 mA  | 16 mA                           | 22 mA | 35 mA               | 40 mA |
| IDLE                | Flash is powered down. XCLKOUT is turned off. All peripheral clocks are turned off.   | 22 mA                            | 27 mA                 | 15 μA                           | 25 μA | 5 μA                | 10 μA | 21 mA                 | 26 mA                 | 120 μA                           | 400 μA | 15 μA                           | 25 μA | 5 μA                | 10 μA |
| STANDBY             | Flash is powered down. Peripheral clocks are off.   | 9 mA                             | 11 mA                 | 15 μA                           | 25 μA | 5 μA                | 10 μA | 8 mA                  | 10 mA                 | 120 μA                           | 400 μA | 15 μA                           | 25 μA | 5 μA                | 10 μA |
| HALT                | Flash is powered down. Peripheral clocks are off. Input clock is disabled. <sup>(7)</sup>   | 75 μA                            |                       | 15 μA                           | 25 μA | 5 μA                | 10 μA | 25 μA <sup>(8)</sup>  |                       | 40 μA                            |        | 15 μA                           | 25 μA | 5 μA                | 10 μA |

- (1) I<sub>DDIO</sub> current is dependent on the electrical loading on the I/O pins.
- (2) In order to realize the I<sub>DDA</sub> currents shown for IDLE, STANDBY, and HALT, clock to the ADC module must be turned off explicitly by writing to the PCLKCR0 register.
- (3) The TYP numbers are applicable over room temperature and nominal voltage.
- (4) The following is done in a loop:
  - Data is continuously transmitted out of SPI-A, SPI-B, SCI-A, eCAN-A, McBSP-A, and I<sup>2</sup>C ports.
  - The hardware multiplier is exercised.
  - Watchdog is reset.
  - ADC is performing continuous conversion.
  - COMP1 and COMP2 are continuously switching voltages.
  - GPIO17 is toggled.
- (5) CLA is continuously performing polynomial calculations.
- (6) For F2806x devices that do not have CLA, subtract the I<sub>DD</sub> current number for CLA (see [Table 5-2](#)) from the I<sub>DD</sub> (VREG disabled)/I<sub>DDIO</sub> (VREG enabled) current numbers shown in [Table 5-1](#) for operational mode.
- (7) If a quartz crystal or ceramic resonator is used as the clock source, the HALT mode shuts down the on-chip crystal oscillator.
- (8) To realize the I<sub>DD</sub> number shown for HALT mode, the following must be done:
  - PLL2 must be shut down by clearing bit 2 of the PLLCTL register.
  - A value of 0x00FF must be written to address 0x6822.

---

#### NOTE

The peripheral - I/O multiplexing implemented in the device prevents all available peripherals from being used at the same time. This is because more than one peripheral function may share an I/O pin. It is, however, possible to turn on the clocks to all the peripherals at the same time, although such a configuration is not useful. If this is done, the current drawn by the device will be more than the numbers specified in the current consumption tables.

---

### 5.6.1 Reducing Current Consumption

The 2806x devices incorporate a method to reduce the device current consumption. Since each peripheral unit has an individual clock-enable bit, significant reduction in current consumption can be achieved by turning off the clock to any peripheral module that is not used in a given application. Furthermore, any one of the three low-power modes could be taken advantage of to reduce the current consumption even further. [Table 5-2](#) indicates the typical reduction in current consumption achieved by turning off the clocks.

**Table 5-2. Typical Current Consumption by Various Peripherals (at 90 MHz)<sup>(1)</sup>**

| PERIPHERAL MODULE <sup>(2)</sup> | I <sub>DD</sub> CURRENT REDUCTION (mA) |
|----------------------------------|--|
| ADC                              | 2 <sup>(3)</sup>                       |
| I <sup>2</sup> C                 | 3                                      |
| ePWM                             | 2                                      |
| eCAP                             | 2                                      |
| eQEP                             | 2                                      |
| SCI                              | 2                                      |
| SPI                              | 2                                      |
| COMP/DAC                         | 1                                      |
| HRPWM                            | 3                                      |
| HRCAP                            | 3                                      |
| USB                              | 12                                     |
| CPU-TIMER                        | 1                                      |
| Internal zero-pin oscillator     | 0.5                                    |
| CAN                              | 2.5                                    |
| CLA                              | 20                                     |
| McBSP                            | 6                                      |

- (1) All peripheral clocks (except CPU Timer clock) are disabled upon reset. Writing to or reading from peripheral registers is possible only after the peripheral clocks are turned on.
- (2) For peripherals with multiple instances, the current quoted is per module. For example, the 2 mA value quoted for ePWM is for one ePWM module.
- (3) This number represents the current drawn by the digital portion of the ADC module. Turning off the clock to the ADC module results in the elimination of the current drawn by the analog portion of the ADC (I<sub>DDA</sub>) as well.

---

#### NOTE

I<sub>DDIO</sub> current consumption is reduced by 15 mA (typical) when XCLKOUT is turned off.

---

#### NOTE

The baseline I<sub>DD</sub> current (current when the core is executing a dummy loop with no peripherals enabled) is 40 mA, typical. To arrive at the I<sub>DD</sub> current for a given application, the current-drawn by the peripherals (enabled by that application) must be added to the baseline I<sub>DD</sub> current.

---

Following are other methods to reduce power consumption further:

- The flash module may be powered down if code is run off SARAM. This results in a current reduction of 18 mA (typical) in the  $V_{DD}$  rail and 13 mA (typical) in the  $V_{DDIO}$  rail.
- Savings in  $I_{DDIO}$  may be realized by disabling the pullups on pins that assume an output function.

### 5.6.2 Current Consumption Graphs (VREG Enabled)

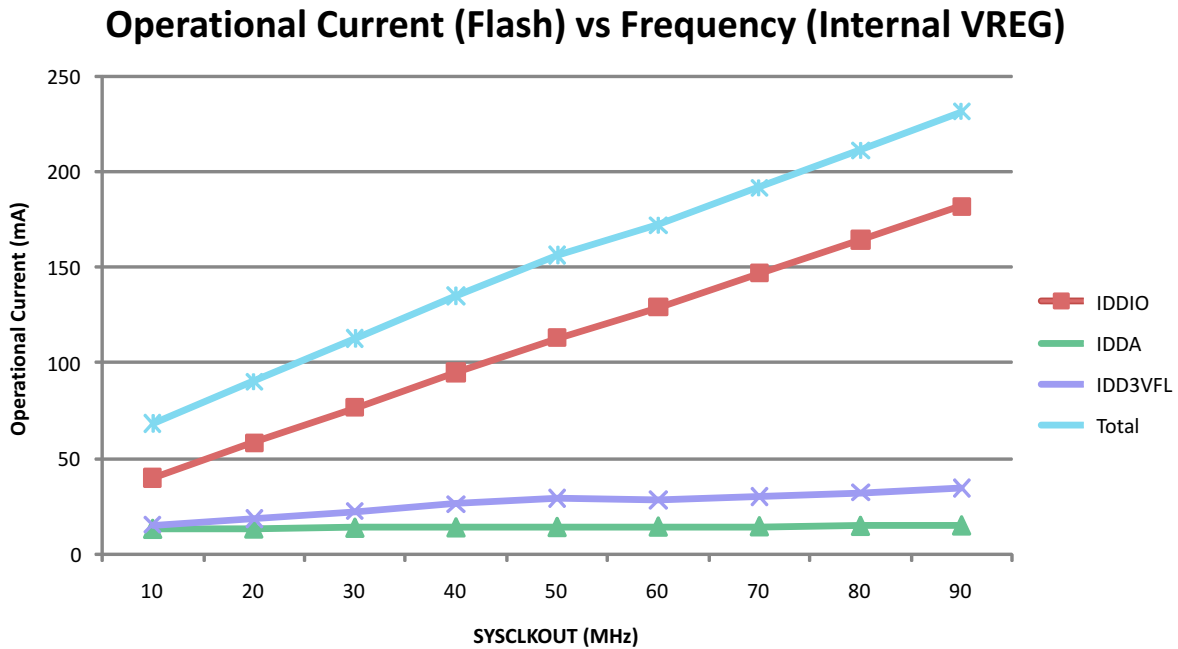


Figure 5-1. Typical Operational Current Versus Frequency

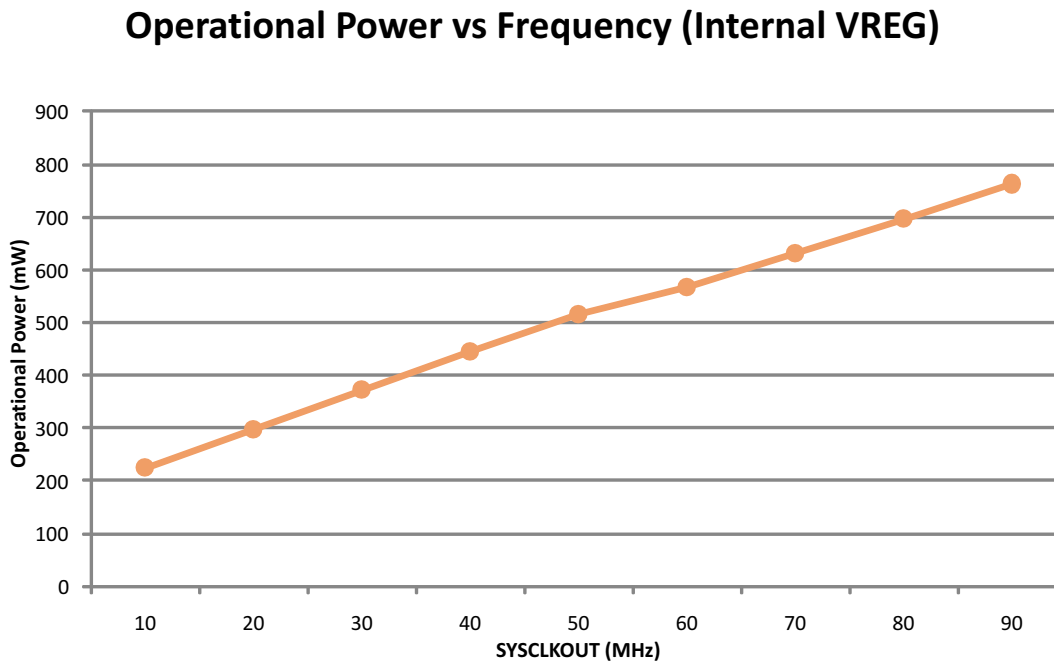


Figure 5-2. Typical Operational Power Versus Frequency



## 5.7 Thermal Resistance Characteristics

### 5.7.1 PFP PowerPAD Package

|                                  |   | °C/W <sup>(1)</sup> | AIR FLOW (lfm) <sup>(2)</sup> |
|----------------------------------|---|---------------------|-------------------------------|
| R <sub>θJC</sub>                 | Junction-to-case thermal resistance     | 9.4                 | 0                             |
| R <sub>θJB</sub>                 | Junction-to-board thermal resistance    | 4.6                 | 0                             |
| R <sub>θJA</sub><br>(High k PCB) | Junction-to-free air thermal resistance | 25.8                | 0                             |
|                                  |   | 16.3                | 150                           |
|                                  |   | 15.2                | 250                           |
|                                  |   | 13.6                | 500                           |
| Psi <sub>JT</sub>                | Junction-to-package top                 | 0.3                 | 0                             |
|                                  |   | 0.4                 | 150                           |
|                                  |   | 0.4                 | 250                           |
|                                  |   | 0.5                 | 500                           |
| Psi <sub>JB</sub>                | Junction-to-board                       | 4.6                 | 0                             |
|                                  |   | 4.4                 | 150                           |
|                                  |   | 4.3                 | 250                           |
|                                  |   | 4.3                 | 500                           |

(1) These values are based on a JEDEC-defined 2S2P system (with the exception of the Theta JC [R<sub>θJC</sub>] value, which is based on a JEDEC-defined 1S0P system) and will change based on environment as well as application. For more information, see these EIA/JEDEC standards:

- JESD51-2, *Integrated Circuits Thermal Test Method Environmental Conditions - Natural Convection (Still Air)*
- JESD51-3, *Low Effective Thermal Conductivity Test Board for Leaded Surface Mount Packages*
- JESD51-7, *High Effective Thermal Conductivity Test Board for Leaded Surface Mount Packages*
- JESD51-9, *Test Boards for Area Array Surface Mount Package Thermal Measurements*

(2) lfm = linear feet per minute

### 5.7.2 PZP PowerPAD Package

|                                  |   | °C/W <sup>(1)</sup> | AIR FLOW (lfm) <sup>(2)</sup> |
|----------------------------------|---|---------------------|-------------------------------|
| R <sub>θJC</sub>                 | Junction-to-case thermal resistance     | 9.4                 | 0                             |
| R <sub>θJB</sub>                 | Junction-to-board thermal resistance    | 4.4                 | 0                             |
| R <sub>θJA</sub><br>(High k PCB) | Junction-to-free air thermal resistance | 24.4                | 0                             |
|                                  |   | 15.1                | 150                           |
|                                  |   | 13.9                | 250                           |
|                                  |   | 12.4                | 500                           |
| Psi <sub>JT</sub>                | Junction-to-package top                 | 0.3                 | 0                             |
|                                  |   | 0.4                 | 150                           |
|                                  |   | 0.4                 | 250                           |
|                                  |   | 0.5                 | 500                           |
| Psi <sub>JB</sub>                | Junction-to-board                       | 4.5                 | 0                             |
|                                  |   | 4.2                 | 150                           |
|                                  |   | 4.2                 | 250                           |
|                                  |   | 4.2                 | 500                           |

(1) These values are based on a JEDEC-defined 2S2P system (with the exception of the Theta JC [R<sub>θJC</sub>] value, which is based on a JEDEC-defined 1S0P system) and will change based on environment as well as application. For more information, see these EIA/JEDEC standards:

- JESD51-2, *Integrated Circuits Thermal Test Method Environmental Conditions - Natural Convection (Still Air)*
- JESD51-3, *Low Effective Thermal Conductivity Test Board for Leaded Surface Mount Packages*
- JESD51-7, *High Effective Thermal Conductivity Test Board for Leaded Surface Mount Packages*
- JESD51-9, *Test Boards for Area Array Surface Mount Package Thermal Measurements*

(2) lfm = linear feet per minute

### 5.7.3 PN Package

|                                  |   | °C/W <sup>(1)</sup> | AIR FLOW (lfm) <sup>(2)</sup> |
|----------------------------------|---|---------------------|-------------------------------|
| R <sub>θJC</sub>                 | Junction-to-case thermal resistance     | 7.9                 | 0                             |
| R <sub>θJB</sub>                 | Junction-to-board thermal resistance    | 15.6                | 0                             |
| R <sub>θJA</sub><br>(High k PCB) | Junction-to-free air thermal resistance | 41.1                | 0                             |
|                                  |   | 31.2                | 150                           |
|                                  |   | 29.7                | 250                           |
|                                  |   | 27.5                | 500                           |
| Psi <sub>JT</sub>                | Junction-to-package top                 | 0.4                 | 0                             |
|                                  |   | 0.6                 | 150                           |
|                                  |   | 0.7                 | 250                           |
|                                  |   | 0.9                 | 500                           |
| Psi <sub>JB</sub>                | Junction-to-board                       | 15.3                | 0                             |
|                                  |   | 14.6                | 150                           |
|                                  |   | 14.4                | 250                           |
|                                  |   | 14.1                | 500                           |

- (1) These values are based on a JEDEC-defined 2S2P system (with the exception of the Theta JC [R<sub>θJC</sub>] value, which is based on a JEDEC-defined 1S0P system) and will change based on environment as well as application. For more information, see these EIA/JEDEC standards:
- JESD51-2, *Integrated Circuits Thermal Test Method Environmental Conditions - Natural Convection (Still Air)*
  - JESD51-3, *Low Effective Thermal Conductivity Test Board for Leaded Surface Mount Packages*
  - JESD51-7, *High Effective Thermal Conductivity Test Board for Leaded Surface Mount Packages*
  - JESD51-9, *Test Boards for Area Array Surface Mount Package Thermal Measurements*
- (2) lfm = linear feet per minute

### 5.7.4 PZ Package

|                                  |   | °C/W <sup>(1)</sup> | AIR FLOW (lfm) <sup>(2)</sup> |
|----------------------------------|---|---------------------|-------------------------------|
| R <sub>θJC</sub>                 | Junction-to-case thermal resistance     | 7.2                 | 0                             |
| R <sub>θJB</sub>                 | Junction-to-board thermal resistance    | 19.6                | 0                             |
| R <sub>θJA</sub><br>(High k PCB) | Junction-to-free air thermal resistance | 42.2                | 0                             |
|                                  |   | 32.4                | 150                           |
|                                  |   | 30.9                | 250                           |
|                                  |   | 28.7                | 500                           |
| Psi <sub>JT</sub>                | Junction-to-package top                 | 0.4                 | 0                             |
|                                  |   | 0.6                 | 150                           |
|                                  |   | 0.7                 | 250                           |
|                                  |   | 0.9                 | 500                           |
| Psi <sub>JB</sub>                | Junction-to-board                       | 19.1                | 0                             |
|                                  |   | 18.2                | 150                           |
|                                  |   | 17.9                | 250                           |
|                                  |   | 14.1                | 500                           |

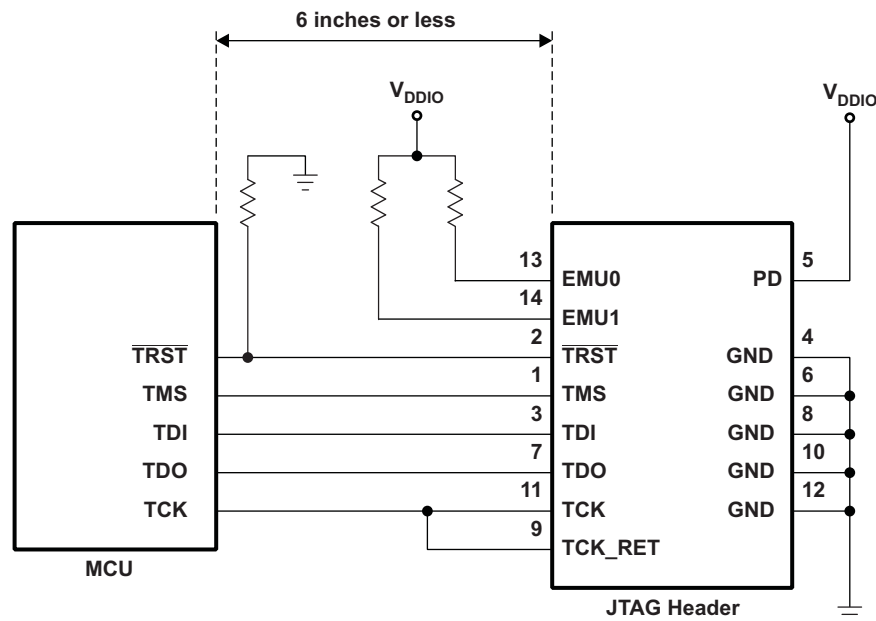
- (1) These values are based on a JEDEC-defined 2S2P system (with the exception of the Theta JC [R<sub>θJC</sub>] value, which is based on a JEDEC-defined 1S0P system) and will change based on environment as well as application. For more information, see these EIA/JEDEC standards:
- JESD51-2, *Integrated Circuits Thermal Test Method Environmental Conditions - Natural Convection (Still Air)*
  - JESD51-3, *Low Effective Thermal Conductivity Test Board for Leaded Surface Mount Packages*
  - JESD51-7, *High Effective Thermal Conductivity Test Board for Leaded Surface Mount Packages*
  - JESD51-9, *Test Boards for Area Array Surface Mount Package Thermal Measurements*
- (2) lfm = linear feet per minute

## 5.8 Thermal Design Considerations

Based on the end application design and operational profile, the  $I_{DD}$  and  $I_{DDIO}$  currents could vary. Systems that exceed the recommended maximum power dissipation in the end product may require additional thermal enhancements. Ambient temperature ( $T_A$ ) varies with the end application and product design. The critical factor that affects reliability and functionality is  $T_J$ , the junction temperature, not the ambient temperature. Hence, care should be taken to keep  $T_J$  within the specified limits.  $T_{case}$  should be measured to estimate the operating junction temperature  $T_J$ .  $T_{case}$  is normally measured at the center of the package top-side surface. The thermal application report *IC Package Thermal Metrics* (SPRA953) helps to understand the thermal metrics and definitions.

## 5.9 Emulator Connection Without Signal Buffering for the MCU

Figure 5-3 shows the connection between the MCU and JTAG header for a single-processor configuration. If the distance between the JTAG header and the MCU is greater than 6 inches, the emulation signals must be buffered. If the distance is less than 6 inches, buffering is typically not needed. Figure 5-3 shows the simpler, no-buffering situation. For the pullup and pulldown resistor values, see Section 4.2.



A. See Figure 6-54 for JTAG/GPIO multiplexing.

**Figure 5-3. Emulator Connection Without Signal Buffering for the MCU**

### NOTE

The 2806x devices do not have EMU0/EMU1 pins. For designs that have a JTAG Header onboard, the EMU0/EMU1 pins on the header must be tied to  $V_{DDIO}$  through a 4.7-k $\Omega$  (typical) resistor.

## 5.10 Parameter Information

### 5.10.1 Timing Parameter Symbology

Timing parameter symbols used are created in accordance with JEDEC Standard 100. To shorten the symbols, some of the pin names and other related terminology have been abbreviated as follows:

| LOWERCASE SUBSCRIPTS AND THEIR MEANINGS: |                        | LETTERS AND SYMBOLS AND THEIR MEANINGS: |  |
|--|------------------------|---|--|
| a  | access time            | H                                       | High                                   |
| c  | cycle time (period)    | L                                       | Low                                    |
| d  | delay time             | V                                       | Valid                                  |
| f  | fall time              | X                                       | Unknown, changing, or don't care level |
| h  | hold time              | Z                                       | High impedance                         |
| r  | rise time              |   |  |
| su                                       | setup time             |   |  |
| t  | transition time        |   |  |
| v  | valid time             |   |  |
| w  | pulse duration (width) |   |  |

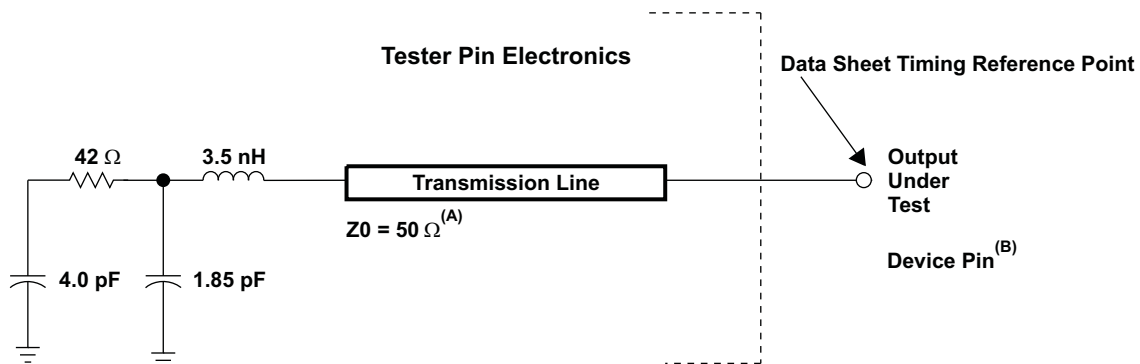
### 5.10.2 General Notes on Timing Parameters

All output signals from the 28x devices (including XCLKOUT) are derived from an internal clock such that all output transitions for a given half-cycle occur with a minimum of skewing relative to each other.

The signal combinations shown in the following timing diagrams may not necessarily represent actual cycles. For actual cycle examples, see the appropriate cycle description section of this document.

## 5.11 Test Load Circuit

This test load circuit is used to measure all switching characteristics provided in this document.

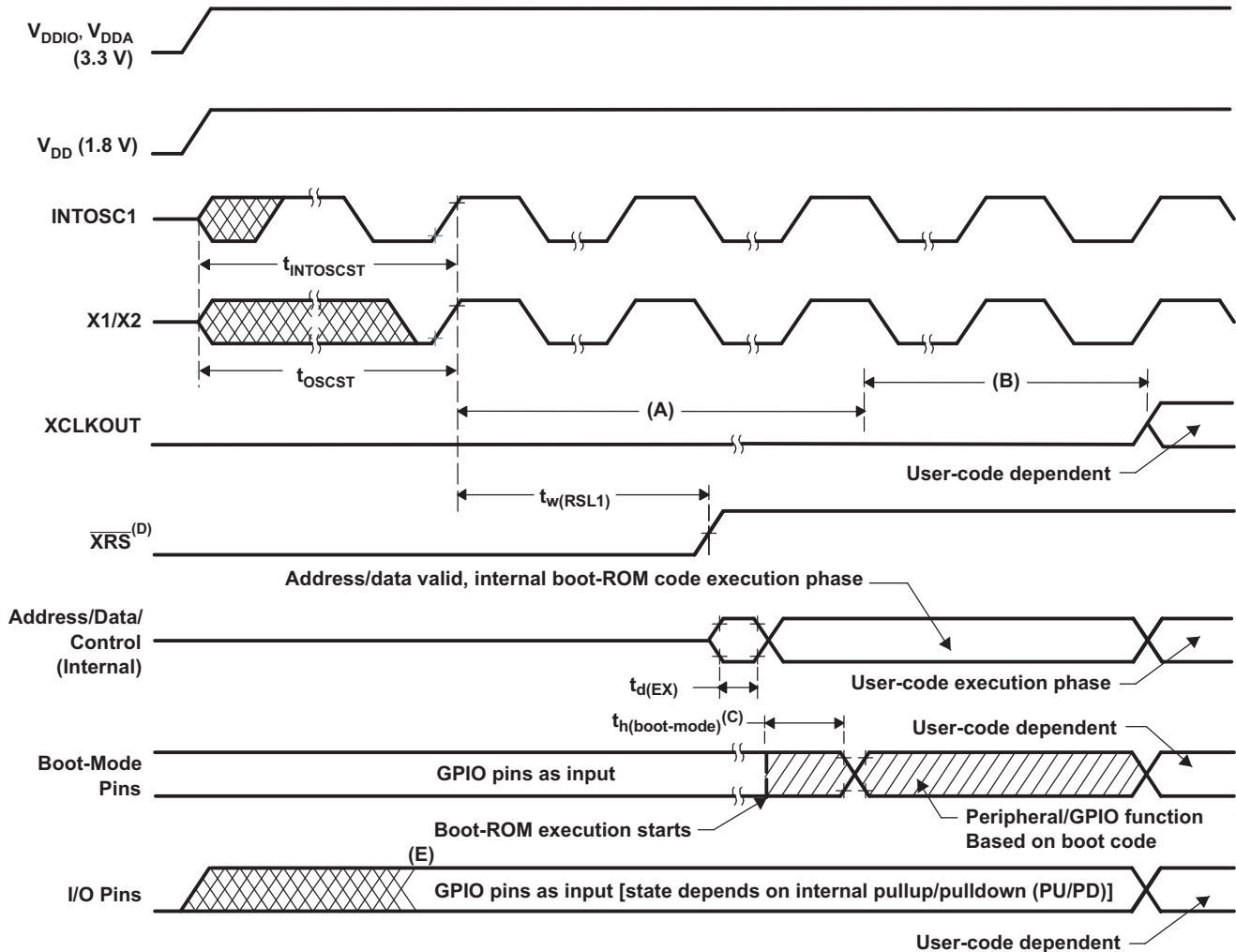


- Input requirements in this data sheet are tested with an input slew rate of < 4 Volts per nanosecond (4 V/ns) at the device pin.
- The data sheet provides timing at the device pin. For output timing analysis, the tester pin electronics and its transmission line effects must be taken into account. A transmission line with a delay of 2 ns or longer can be used to produce the desired transmission line effect. The transmission line is intended as a load only. It is not necessary to add or subtract the transmission line delay (2 ns or longer) from the data sheet timing.

**Figure 5-4. 3.3-V Test Load Circuit**

## 5.12 Power Sequencing

There is no power sequencing requirement needed to ensure the device is in the proper state after reset or to prevent the I/Os from glitching during power up or power down (GPIO19, GPIO26–27, GPIO34–38 do not have glitch-free I/Os). No voltage larger than a diode drop (0.7 V) above  $V_{DDIO}$  should be applied to any digital pin before powering up the device. Voltages applied to pins on an unpowered device can bias internal p-n junctions in unintended ways and produce unpredictable results.



- Upon power up, SYSCCLKOUT is OSCCLK/4. Since the XCLKOUTDIV bits in the XCLK register come up with a reset state of 0, SYSCCLKOUT is further divided by 4 before it appears at XCLKOUT. XCLKOUT = OSCCLK/16 during this phase.
- Boot ROM configures the DIVSEL bits for /1 operation. XCLKOUT = OSCCLK/4 during this phase. Note that XCLKOUT will not be visible at the pin until explicitly configured by user code.
- After reset, the boot ROM code samples Boot Mode pins. Based on the status of the Boot Mode pin, the boot code branches to destination memory or boot code function. If boot ROM code executes after power-on conditions (in debugger environment), the boot code execution time is based on the current SYSCCLKOUT speed. The SYSCCLKOUT will be based on user environment and could be with or without PLL enabled.
- Using the XRS pin is optional due to the on-chip POR circuitry.
- The internal pullup or pulldown will take effect when BOR is driven high.

**Figure 5-5. Power-on Reset**

**Table 5-3. Reset ( $\overline{\text{XRS}}$ ) Timing Requirements**

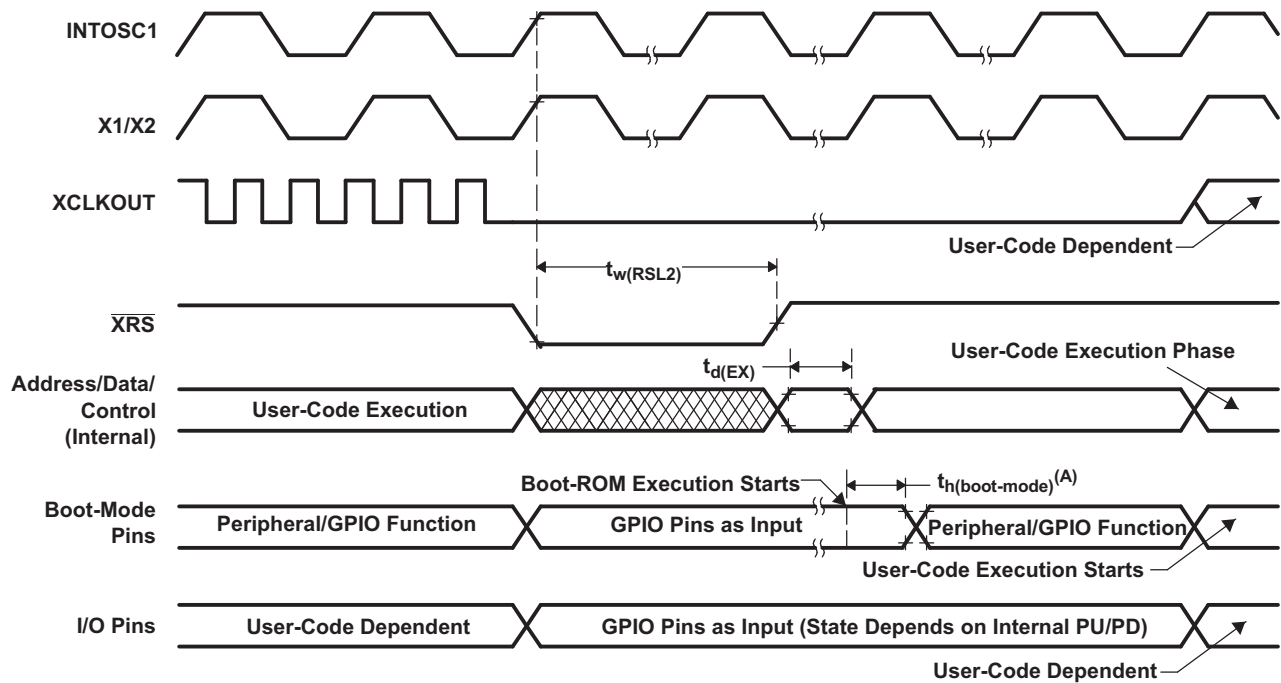
|                           |   | MIN                       | MAX | UNIT   |
|---------------------------|---|---------------------------|-----|--------|
| $t_{h(\text{boot-mode})}$ | Hold time for boot-mode pins                              | 1000 $t_{c(\text{SCO})}$  |     | cycles |
| $t_{w(\text{RSL2})}$      | Pulse duration, $\overline{\text{XRS}}$ low on warm reset | 32 $t_{c(\text{OSCCLK})}$ |     | cycles |

**Table 5-4. Reset ( $\overline{\text{XRS}}$ ) Switching Characteristics**

over recommended operating conditions (unless otherwise noted)

| PARAMETER                |   | MIN | TYP                        | MAX | UNIT          |
|--------------------------|---|-----|----------------------------|-----|---------------|
| $t_{w(\text{RSL1})}$     | Pulse duration, $\overline{\text{XRS}}$ driven by device          |     | 600                        |     | $\mu\text{s}$ |
| $t_{w(\text{WDRS})}$     | Pulse duration, reset pulse generated by watchdog                 |     | 512 $t_{c(\text{OSCCLK})}$ |     | cycles        |
| $t_{d(\text{EX})}$       | Delay time, address/data valid after $\overline{\text{XRS}}$ high |     | 32 $t_{c(\text{OSCCLK})}$  |     | cycles        |
| $t_{\text{INTOSCST}}$    | Start up time, internal zero-pin oscillator                       |     | 3                          |     | $\mu\text{s}$ |
| $t_{\text{OSCST}}^{(1)}$ | On-chip crystal-oscillator start-up time                          | 1   | 10                         |     | ms            |

(1) Dependent on crystal/resonator and board design.



- A. After reset, the Boot ROM code samples BOOT Mode pins. Based on the status of the Boot Mode pin, the boot code branches to destination memory or boot code function. If Boot ROM code executes after power-on conditions (in debugger environment), the Boot code execution time is based on the current SYSCLKOUT speed. The SYSCLKOUT will be based on user environment and could be with or without PLL enabled.

**Figure 5-6. Warm Reset**

Figure 5-7 shows an example for the effect of writing into PLLCR register. In the first phase, PLLCR = 0x0004 and SYSCLKOUT = OSCCLK × 2. The PLLCR is then written with 0x0008. Right after the PLLCR register is written, the PLL lock-up phase begins. During this phase, SYSCLKOUT = OSCCLK/2. After the PLL lock-up is complete, SYSCLKOUT reflects the new operating frequency, OSCCLK × 4.

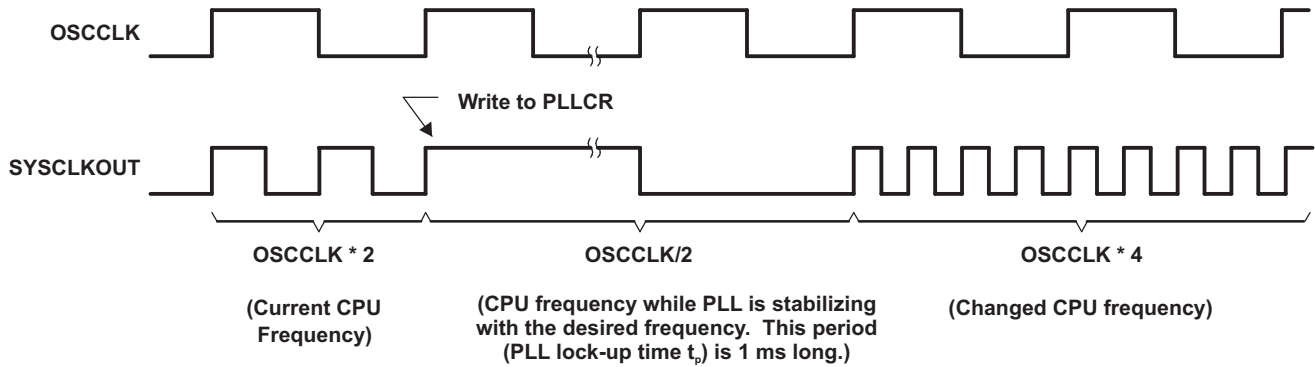


Figure 5-7. Example of Effect of Writing Into PLLCR Register

## 5.13 Clock Specifications

### 5.13.1 Device Clock Table

This section provides the timing requirements and switching characteristics for the various clock options available on the 2806x MCUs. [Table 5-5](#) lists the cycle times of various clocks.

**Table 5-5. 2806x Clock Table and Nomenclature (90-MHz Devices)**

|                       |                              | MIN   | NOM                 | MAX | UNIT |
|-----------------------|------------------------------|-------|---------------------|-----|------|
| SYSCLKOUT             | $t_{c(SCO)}$ , Cycle time    | 11.11 |                     | 500 | ns   |
|                       | Frequency                    | 2     |                     | 90  | MHz  |
| LSPCLK <sup>(1)</sup> | $t_{c(LCO)}$ , Cycle time    | 11.11 | 44.4 <sup>(2)</sup> |     | ns   |
|                       | Frequency                    |       | 22.5 <sup>(2)</sup> | 90  | MHz  |
| ADC clock             | $t_{c(ADCCLK)}$ , Cycle time | 22.22 |                     |     | ns   |
|                       | Frequency                    |       |                     | 45  | MHz  |

- (1) Lower LSPCLK will reduce device power consumption.  
(2) This is the default reset value if SYSCLKOUT = 90 MHz.

**Table 5-6. Device Clocking Requirements/Characteristics**

|   |                                | MIN   | NOM    | MAX  | UNIT |
|---|--------------------------------|-------|--------|------|------|
| On-chip oscillator (X1/X2 pins)<br>(Crystal/Resonator)          | $t_{c(OSC)}$ , Cycle time      | 50    |        | 200  | ns   |
|   | Frequency                      | 5     |        | 20   | MHz  |
| External oscillator/clock source<br>(XCLKIN pin) — PLL Enabled  | $t_{c(CI)}$ , Cycle time (C8)  | 33.3  |        | 200  | ns   |
|   | Frequency                      | 5     |        | 30   | MHz  |
| External oscillator/clock source<br>(XCLKIN pin) — PLL Disabled | $t_{c(CI)}$ , Cycle time (C8)  | 11.11 |        | 250  | ns   |
|   | Frequency                      | 4     |        | 90   | MHz  |
| Limp mode SYSCLKOUT<br>(with /2 enabled)                        | Frequency range                |       | 1 to 5 |      | MHz  |
| XCLKOUT   | $t_{c(XCO)}$ , Cycle time (C1) | 44.44 |        | 2000 | ns   |
|   | Frequency                      | 0.5   |        | 22.5 | MHz  |
| PLL lock time <sup>(1)</sup>                                    | $t_p$                          |       |        | 1    | ms   |

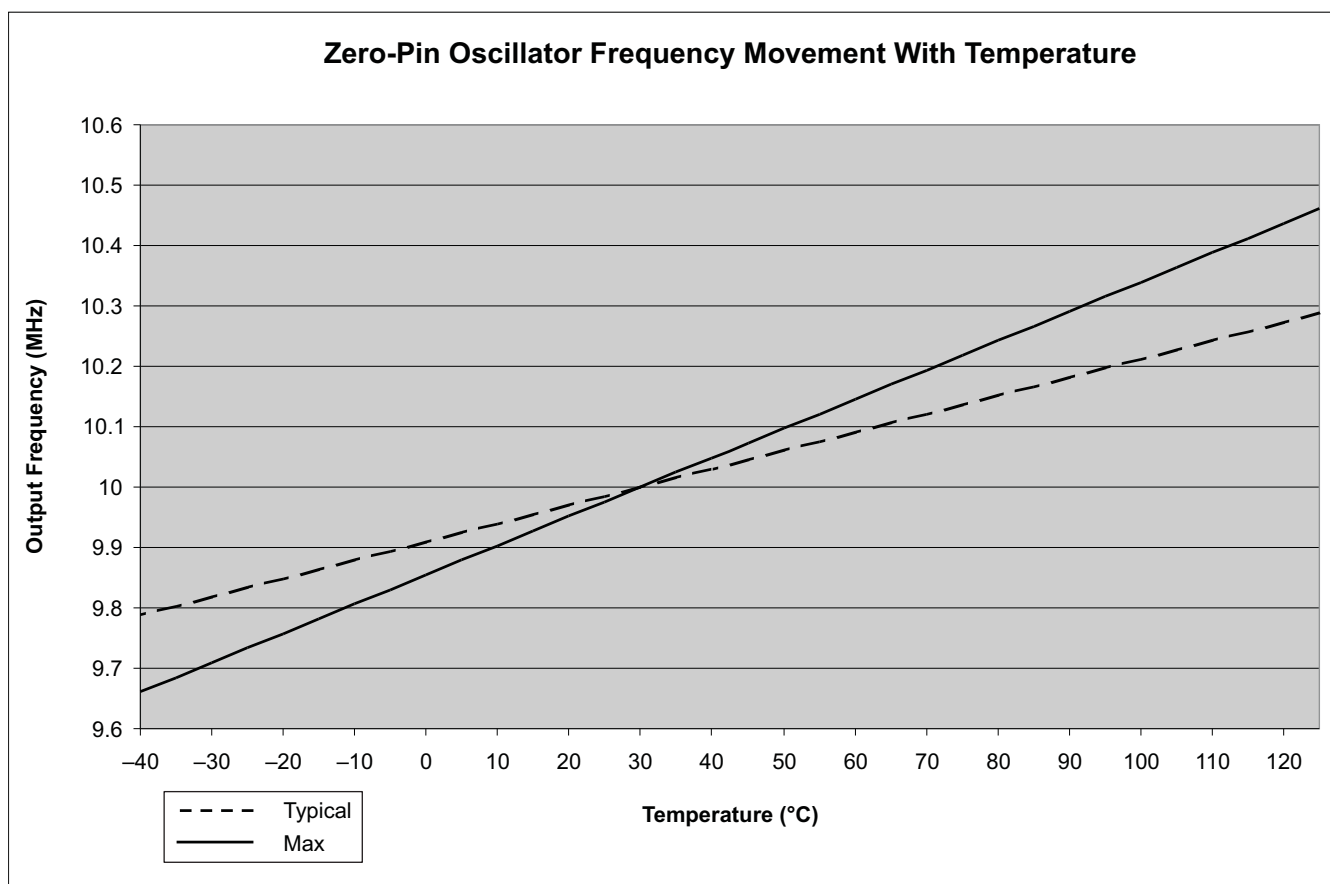
- (1) The PLLLOCKPRD register must be updated based on the number of OSCCLK cycles. If the zero-pin internal oscillators (10 MHz) are used as the clock source, then the PLLLOCKPRD register must be written with a value of 10,000 (minimum).



**Table 5-7. Internal Zero-Pin Oscillator (INTOSC1/INTOSC2) Characteristics**

| PARAMETER  |           | MIN | TYP    | MAX  | UNIT   |
|--|-----------|-----|--------|------|--------|
| Internal zero-pin oscillator 1 (INTOSC1) at 30°C <sup>(1)(2)</sup> | Frequency |     | 10.000 |      | MHz    |
| Internal zero-pin oscillator 2 (INTOSC2) at 30°C <sup>(1)(2)</sup> | Frequency |     | 10.000 |      | MHz    |
| Step size (coarse trim)  |           |     | 55     |      | kHz    |
| Step size (fine trim)  |           |     | 14     |      | kHz    |
| Temperature drift <sup>(3)</sup>                                   |           |     | 3.03   | 4.85 | kHz/°C |
| Voltage (V <sub>DD</sub> ) drift <sup>(3)</sup>                    |           |     | 175    |      | Hz/mV  |

- (1) In order to achieve better oscillator accuracy (10 MHz ± 1% or better) than shown, refer to the *Oscillator Compensation Guide Application Report (SPRAB84)*.
- (2) Frequency range ensured only when VREG is enabled,  $\overline{VREGENZ} = V_{SS}$ .
- (3) Output frequency of the internal oscillators follows the direction of both the temperature gradient and voltage (V<sub>DD</sub>) gradient. For example:
- Increase in temperature will cause the output frequency to increase per the temperature coefficient.
  - Decrease in voltage (V<sub>DD</sub>) will cause the output frequency to decrease per the voltage coefficient.



**Figure 5-8. Zero-Pin Oscillator Frequency Movement With Temperature**

### 5.13.2 Clock Requirements and Characteristics

**Table 5-8. XCLKIN Timing Requirements - PLL Enabled**

| NO. |              |  | MIN | MAX | UNIT |
|-----|--------------|--|-----|-----|------|
| C9  | $t_{f(CI)}$  | Fall time, XCLKIN  |     | 6   | ns   |
| C10 | $t_{r(CI)}$  | Rise time, XCLKIN  |     | 6   | ns   |
| C11 | $t_{w(CIL)}$ | Pulse duration, XCLKIN low as a percentage of $t_{c(OSCCLK)}$  | 45% | 55% |      |
| C12 | $t_{w(CIH)}$ | Pulse duration, XCLKIN high as a percentage of $t_{c(OSCCLK)}$ | 45% | 55% |      |

**Table 5-9. XCLKIN Timing Requirements - PLL Disabled**

| NO. |              |  | MIN              | MAX | UNIT |
|-----|--------------|--|------------------|-----|------|
| C9  | $t_{f(CI)}$  | Fall time, XCLKIN  | Up to 20 MHz     | 6   | ns   |
|     |              |  | 20 MHz to 90 MHz | 2   |      |
| C10 | $t_{r(CI)}$  | Rise time, XCLKIN  | Up to 20 MHz     | 6   | ns   |
|     |              |  | 20 MHz to 90 MHz | 2   |      |
| C11 | $t_{w(CIL)}$ | Pulse duration, XCLKIN low as a percentage of $t_{c(OSCCLK)}$  | 45%              | 55% |      |
| C12 | $t_{w(CIH)}$ | Pulse duration, XCLKIN high as a percentage of $t_{c(OSCCLK)}$ | 45%              | 55% |      |

The possible configuration modes are shown in [Table 6-15](#).

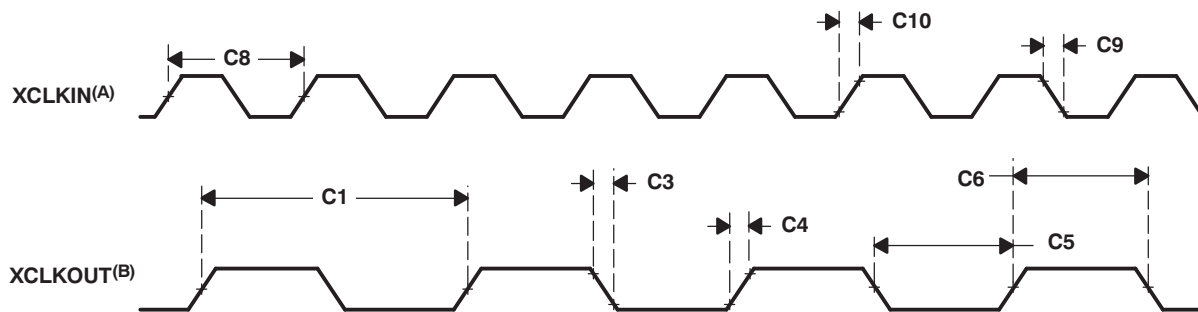
**Table 5-10. XCLKOUT Switching Characteristics (PLL Bypassed or Enabled)<sup>(1)(2)</sup>**

over recommended operating conditions (unless otherwise noted)

| NO. | PARAMETER                                  | MIN   | MAX   | UNIT |
|-----|--|-------|-------|------|
| C3  | $t_{f(XCO)}$ Fall time, XCLKOUT            |       | 5     | ns   |
| C4  | $t_{r(XCO)}$ Rise time, XCLKOUT            |       | 5     | ns   |
| C5  | $t_{w(XCOL)}$ Pulse duration, XCLKOUT low  | H – 2 | H + 2 | ns   |
| C6  | $t_{w(XCOH)}$ Pulse duration, XCLKOUT high | H – 2 | H + 2 | ns   |

(1) A load of 40 pF is assumed for these parameters.

(2)  $H = 0.5t_{c(XCO)}$



- A. The relationship of XCLKIN to XCLKOUT depends on the divide factor chosen. The waveform relationship shown is intended to illustrate the timing parameters only and may differ based on actual configuration.
- B. XCLKOUT configured to reflect SYSCLKOUT.

**Figure 5-9. Clock Timing**

## 5.14 Flash Timing

**Table 5-11. Flash/OTP Endurance for T Temperature Material<sup>(1)</sup>**

|                  |  | ERASE/PROGRAM TEMPERATURE | MIN   | TYP   | MAX | UNIT   |
|------------------|--|---------------------------|-------|-------|-----|--------|
| N <sub>f</sub>   | Flash endurance for the array (write/erase cycles) | 0°C to 105°C (ambient)    | 20000 | 50000 |     | cycles |
| N <sub>OTP</sub> | OTP endurance for the array (write cycles)         | 0°C to 30°C (ambient)     |       |       | 1   | write  |

(1) Write/erase operations outside of the temperature ranges indicated are not specified and may affect the endurance numbers.

**Table 5-12. Flash/OTP Endurance for S Temperature Material<sup>(1)</sup>**

|                  |  | ERASE/PROGRAM TEMPERATURE | MIN   | TYP   | MAX | UNIT   |
|------------------|--|---------------------------|-------|-------|-----|--------|
| N <sub>f</sub>   | Flash endurance for the array (write/erase cycles) | 0°C to 125°C (ambient)    | 20000 | 50000 |     | cycles |
| N <sub>OTP</sub> | OTP endurance for the array (write cycles)         | 0°C to 30°C (ambient)     |       |       | 1   | write  |

(1) Write/erase operations outside of the temperature ranges indicated are not specified and may affect the endurance numbers.

**Table 5-13. Flash/OTP Endurance for Q Temperature Material<sup>(1)(2)</sup>**

|                  |  | ERASE/PROGRAM TEMPERATURE | MIN   | TYP   | MAX | UNIT   |
|------------------|--|---------------------------|-------|-------|-----|--------|
| N <sub>f</sub>   | Flash endurance for the array (write/erase cycles) | -40°C to 125°C (ambient)  | 20000 | 50000 |     | cycles |
| N <sub>OTP</sub> | OTP endurance for the array (write cycles)         | -40°C to 30°C (ambient)   |       |       | 1   | write  |

(1) Write/erase operations outside of the temperature ranges indicated are not specified and may affect the endurance numbers.

(2) The "Q" temperature option is *not* available on the 2806xU devices.

**Table 5-14. Flash Parameters at 90-MHz SYSCLKOUT**

| PARAMETER                         |  | TEST CONDITIONS | MIN | TYP | MAX | UNIT |
|-----------------------------------|--|-----------------|-----|-----|-----|------|
| Program Time                      | 16-Bit Word  |                 |     | 50  |     | μs   |
|                                   | 16K Sector   |                 |     | 500 |     | ms   |
|                                   | 8K Sector  |                 |     | 250 |     | ms   |
|                                   | 4K Sector  |                 |     | 125 |     | ms   |
| Erase Time <sup>(1)</sup>         | 16K Sector   |                 |     | 2   |     | s    |
|                                   | 8K Sector  |                 |     | 2   |     |      |
|                                   | 4K Sector  |                 |     | 2   |     |      |
| I <sub>DDP</sub> <sup>(2)</sup>   | V <sub>DD</sub> current consumption during Erase/Program cycle   | VREG disabled   |     | 80  |     | mA   |
| I <sub>DDIOP</sub> <sup>(2)</sup> | V <sub>DDIO</sub> current consumption during Erase/Program cycle |                 |     | 60  |     |      |
| I <sub>DDIOP</sub> <sup>(2)</sup> | V <sub>DDIO</sub> current consumption during Erase/Program cycle | VREG enabled    |     | 120 |     | mA   |

(1) The on-chip flash memory is in an erased state when the device is shipped from TI. As such, erasing the flash memory is not required before programming, when programming the device for the first time. However, the erase operation is needed on all subsequent programming operations.

(2) Typical parameters as seen at room temperature including function call overhead, with all peripherals off. It is important to maintain a stable power supply during the entire flash programming process. It is conceivable that device current consumption during flash programming could be higher than normal operating conditions. The power supply used should ensure V<sub>MIN</sub> on the supply rails at all times, as specified in the Recommended Operating Conditions of the data sheet. Any brown-out or interruption to power during erasing/programming could potentially corrupt the password locations and lock the device permanently. Powering a target board (during flash programming) through the USB port is not recommended, as the port may be unable to respond to the power demands placed during the programming process.

**Table 5-15. Flash/OTP Access Timing**

| PARAMETER    |                          | MIN | MAX | UNIT |
|--------------|--------------------------|-----|-----|------|
| $t_{a(fp)}$  | Paged Flash access time  | 36  |     | ns   |
| $t_{a(fr)}$  | Random Flash access time | 36  |     | ns   |
| $t_{a(OTP)}$ | OTP access time          | 60  |     | ns   |

**Table 5-16. Flash Data Retention Duration**

| PARAMETER       |                         | TEST CONDITIONS          | MIN | MAX | UNIT  |
|-----------------|-------------------------|--------------------------|-----|-----|-------|
| $t_{retention}$ | Data retention duration | $T_J = 55^\circ\text{C}$ | 15  |     | years |

**Table 5-17. Minimum Required Flash/OTP Wait-States at Different Frequencies**

| SYSCLOCKOUT (MHz) | SYSCLOCKOUT (ns) | PAGE WAIT-STATE <sup>(1)</sup> | RANDOM WAIT-STATE <sup>(1)</sup> | OTP WAIT-STATE |
|-------------------|------------------|--------------------------------|----------------------------------|----------------|
| 90                | 11.11            | 3                              | 3                                | 5              |
| 80                | 12.5             | 2                              | 2                                | 4              |
| 70                | 14.29            | 2                              | 2                                | 4              |
| 60                | 16.67            | 2                              | 2                                | 3              |
| 55                | 18.18            | 1                              | 1                                | 3              |
| 50                | 20               | 1                              | 1                                | 2              |
| 45                | 22.22            | 1                              | 1                                | 2              |
| 40                | 25               | 1                              | 1                                | 2              |
| 35                | 28.57            | 1                              | 1                                | 2              |
| 30                | 33.33            | 1                              | 1                                | 1              |

(1) Page and random wait-state must be  $\geq 1$ .

The equations to compute the Flash page wait-state and random wait-state in [Table 5-17](#) are as follows:

$$\text{Flash Page Wait State} = \left\lceil \left( \frac{t_{a(fp)}}{t_{c(SCO)}} \right) - 1 \right\rceil \text{ round up to the next highest integer, or 1, whichever is larger}$$

$$\text{Flash Random Wait State} = \left\lceil \left( \frac{t_{a(fr)}}{t_{c(SCO)}} \right) - 1 \right\rceil \text{ round up to the next highest integer, or 1, whichever is larger}$$

The equation to compute the OTP wait-state in [Table 5-17](#) is as follows:

$$\text{OTP Wait State} = \left\lceil \left( \frac{t_{a(OTP)}}{t_{c(SCO)}} \right) - 1 \right\rceil \text{ round up to the next highest integer, or 1, whichever is larger}$$

## 6 Detailed Description

### 6.1 Overview

#### 6.1.1 CPU

The 2806x (C28x) family is a member of the TMS320C2000™ microcontroller (MCU) platform. The C28x-based controllers have the same 32-bit fixed-point architecture as existing C28x MCUs. Each C28x-based controller, including the 2806x device, is a very efficient C/C++ engine, enabling users to develop not only their system control software in a high-level language, but also enabling development of math algorithms using C/C++. The device is as efficient at MCU math tasks as it is at system control tasks that typically are handled by microcontroller devices. This efficiency removes the need for a second processor in many systems. The 32 × 32-bit MAC 64-bit processing capabilities enable the controller to handle higher numerical resolution problems efficiently. Add to this the fast interrupt response with automatic context save of critical registers, resulting in a device that is capable of servicing many asynchronous events with minimal latency. The device has an 8-level-deep protected pipeline with pipelined memory accesses. This pipelining enables it to execute at high speeds without resorting to expensive high-speed memories. Special branch-look-ahead hardware minimizes the latency for conditional discontinuities. Special store conditional operations further improve performance.

#### 6.1.2 Control Law Accelerator (CLA)

The C28x control law accelerator is a single-precision (32-bit) floating-point unit that extends the capabilities of the C28x CPU by adding parallel processing. The CLA is an independent processor with its own bus structure, fetch mechanism, and pipeline. Eight individual CLA tasks, or routines, can be specified. Each task is started by software or a peripheral such as the ADC, ePWM, eCAP, eQEP, or CPU Timer 0. The CLA executes one task at a time to completion. When a task completes the main CPU is notified by an interrupt to the PIE and the CLA automatically begins the next highest-priority pending task. The CLA can directly access the ADC Result registers, ePWM+HRPWM, eCAP, and eQEP registers. Dedicated message RAMs provide a method to pass additional data between the main CPU and the CLA.

### 6.1.3 Viterbi, Complex Math, CRC Unit (VCU)

The C28x VCU enhances the processing power of C2000™ devices by adding additional assembly instructions to target complex math, Viterbi decode, and CRC calculations. The VCU instructions accelerate many applications, including the following:

- Orthogonal frequency-division multiplex (OFDM) used in the PRIME and G3 standards for power line communications
- Short-range radar complex math calculations
- Power calculations
- Memory and data communication packet checks (CRC)

The VCU features include:

- Instructions to support Cyclic Redundancy Checks (CRCs), which is a polynomial code checksum.
  - CRC8
  - CRC16
  - CRC32
- Instructions to support a flexible software implementation of a Viterbi decoder
  - Branch metric calculations for a code rate of 1/2 or 1/3
  - Add-Compare Select or Viterbi Butterfly in 5 cycles per butterfly
  - Traceback in 3 cycles per stage
  - Easily supports a constraint length of  $K = 7$  used in PRIME and G3 standards
- Complex math arithmetic unit
  - Single-cycle Add or Subtract
  - 2-cycle multiply
  - 2-cycle multiply and accumulate (MAC)
  - Single-cycle repeat MAC
- Independent register space

### 6.1.4 Memory Bus (Harvard Bus Architecture)

As with many MCU-type devices, multiple busses are used to move data between the memories and peripherals and the CPU. The memory bus architecture contains a program read bus, data read bus, and data write bus. The program read bus consists of 22 address lines and 32 data lines. The data read and write busses consist of 32 address lines and 32 data lines each. The 32-bit-wide data busses enable single cycle 32-bit operations. The multiple bus architecture, commonly termed Harvard Bus, enables the C28x to fetch an instruction, read a data value and write a data value in a single cycle. All peripherals and memories attached to the memory bus prioritize memory accesses. Generally, the priority of memory bus accesses can be summarized as follows:

|          |                |  |
|----------|----------------|--|
| Highest: | Data Writes    | (Simultaneous data and program writes cannot occur on the memory bus.)   |
|          | Program Writes | (Simultaneous data and program writes cannot occur on the memory bus.)   |
|          | Data Reads     |  |
|          | Program Reads  | (Simultaneous program reads and fetches cannot occur on the memory bus.) |
| Lowest:  | Fetches        | (Simultaneous program reads and fetches cannot occur on the memory bus.) |

### 6.1.5 Peripheral Bus

To enable migration of peripherals between various Texas Instruments (TI) MCU family of devices, the devices adopt a peripheral bus standard for peripheral interconnect. The peripheral bus bridge multiplexes the various busses that make up the processor Memory Bus into a single bus consisting of 16 address lines and 16 or 32 data lines and associated control signals. Three versions of the peripheral bus are supported. One version supports only 16-bit accesses (called peripheral frame 2). Another version supports both 16- and 32-bit accesses (called peripheral frame 1).

### 6.1.6 Real-Time JTAG and Analysis

The devices implement the standard IEEE 1149.1 JTAG <sup>(1)</sup> interface for in-circuit based debug. Additionally, the devices support real-time mode of operation allowing modification of the contents of memory, peripheral, and register locations while the processor is running and executing code and servicing interrupts. The user can also single step through non-time-critical code while enabling time-critical interrupts to be serviced without interference. The device implements the real-time mode in hardware within the CPU. This is a feature unique to the 28x family of devices, requiring no software monitor. Additionally, special analysis hardware is provided that allows setting of hardware breakpoint or data/address watch-points and generating various user-selectable break events when a match occurs.

### 6.1.7 Flash

The F28069, F28068, F28067, and F28066 devices contain 128K × 16 of embedded flash memory, segregated into eight 16K × 16 sectors. The F28065, F28064, F28063, and F28062 devices contain 64K × 16 of embedded flash memory, segregated into eight 8K × 16 sectors. All devices also contain a single 1K × 16 of OTP memory at address range 0x3D 7800 – 0x3D 7BF9. The user can individually erase, program, and validate a flash sector while leaving other sectors untouched. However, it is not possible to use one sector of the flash or the OTP to execute flash algorithms that erase or program other sectors. Special memory pipelining is provided to enable the flash module to achieve higher performance. The flash/OTP is mapped to both program and data space; therefore, it can be used to execute code or store data information. Addresses 0x3F 7FF0 – 0x3F 7FF5 are reserved for data variables and should not contain program code.

---

#### NOTE

The Flash and OTP wait-states can be configured by the application. This allows applications running at slower frequencies to configure the flash to use fewer wait-states.

Flash effective performance can be improved by enabling the flash pipeline mode in the Flash options register. With this mode enabled, effective performance of linear code execution will be much faster than the raw performance indicated by the wait-state configuration alone. The exact performance gain when using the Flash pipeline mode is application-dependent.

For more information on the Flash options, Flash wait-state, and OTP wait-state registers, see the Systems Control and Interrupts chapter of the *TMS320x2806x Piccolo Technical Reference Manual (SPRUH18)*.

---

(1) IEEE Standard 1149.1-1990 Standard Test Access Port and Boundary Scan Architecture

### 6.1.8 M0, M1 SARAMs

All devices contain these two blocks of single-access memory, each 1K × 16 in size. The stack pointer points to the beginning of block M1 on reset. The M0 and M1 blocks, like all other memory blocks on C28x devices, are mapped to both program and data space. Hence, the user can use M0 and M1 to execute code or for data variables. The partitioning is performed within the linker. The C28x device presents a unified memory map to the programmer. This makes for easier programming in high-level languages.

### 6.1.9 L4 SARAM, and L0, L1, L2, L3, L5, L6, L7, and L8 DPSARAMs

The device contains up to 48K × 16 of single-access RAM. To ascertain the exact size for a given device, see the device-specific memory map figures in [Section 6.2](#). This block is mapped to both program and data space. L0 is 2K in size. L1 and L2 are each 1K in size. L3 is 4K in size. L4, L5, L6, L7, and L8 are each 8K in size. L0, L1, and L2 are shared with the CLA, which can use these blocks for its data space. L3 is shared with the CLA, which can use this block for its program space. L5, L6, L7, and L8 are shared with the DMA, which can use these blocks for its data space. DPSARAM refers to the dual-port configuration of these blocks.

### 6.1.10 Boot ROM

The Boot ROM is factory-programmed with boot-loading software. Boot-mode signals are provided to tell the bootloader software what boot mode to use on power up. The user can select to boot normally or to download new software from an external connection or to select boot software that is programmed in the internal Flash/ROM. The Boot ROM also contains standard tables, such as SIN/COS waveforms, for use in math-related algorithms.

**Table 6-1. Boot Mode Selection**

| MODE | GPIO37/TDO | GPIO34/COMP2OUT/<br>COMP3OUT | $\overline{\text{TRST}}$ | MODE  |
|------|------------|------------------------------|--------------------------|---|
| 3    | 1          | 1                            | 0                        | GetMode   |
| 2    | 1          | 0                            | 0                        | Wait (see <a href="#">Section 6.1.11</a> for description) |
| 1    | 0          | 1                            | 0                        | SCI   |
| 0    | 0          | 0                            | 0                        | Parallel IO   |
| EMU  | x          | x                            | 1                        | Emulation Boot  |

#### 6.1.10.1 Emulation Boot

When the emulator is connected, the GPIO37/TDO pin cannot be used for boot mode selection. In this case, the boot ROM detects that an emulator is connected and uses the contents of two reserved SARAM locations in the PIE vector table to determine the boot mode. If the content of either location is invalid, then the *Wait* boot option is used. All boot mode options can be accessed in emulation boot.

#### 6.1.10.2 GetMode

The default behavior of the *GetMode* option is to boot to flash. This behavior can be changed to another boot option by programming two locations in the OTP. If the content of either OTP location is invalid, then boot to flash is used. One of the following loaders can be specified: SCI, SPI, I<sup>2</sup>C, CAN, or OTP.



### 6.1.10.3 Peripheral Pins Used by the Bootloader

Table 6-2 shows which GPIO pins are used by each peripheral bootloader. Refer to the GPIO mux table to see if these conflict with any of the peripherals you would like to use in your application.

**Table 6-2. Peripheral Bootload Pins**

| BOOTLOADER       | PERIPHERAL LOADER PINS   |
|------------------|--|
| SCI              | SCIRXDA (GPIO28)<br>SCITXDA (GPIO29)   |
| Parallel Boot    | Data (GPIO31,30,5:0)<br>28x Control (AIO6)<br>Host Control (AIO12)             |
| SPI              | SPISIMOA (GPIO16)<br>SPISOMIA (GPIO17)<br>SPICLKA (GPIO18)<br>SPISTEA (GPIO19) |
| I <sup>2</sup> C | SDAA (GPIO32)<br>SCLA (GPIO33)   |
| CAN              | CANRXA (GPIO30)<br>CANTXA (GPIO31)   |

### 6.1.11 Security

The devices support high levels of security to protect the user firmware from being reverse-engineered. The security features a 128-bit password (hardcoded for 16 wait-states), which the user programs into the flash. One code security module (CSM) is used to protect the flash/OTP and the L0/L1 SARAM blocks. The security feature prevents unauthorized users from examining the memory contents through the JTAG port, executing code from external memory or trying to boot-load some undesirable software that would export the secure memory contents. To enable access to the secure blocks, the user must write the correct 128-bit KEY value that matches the value stored in the password locations within the Flash.

In addition to the CSM, the emulation code security logic (ECSL) has been implemented to prevent unauthorized users from stepping through secure code. Any code or data access to CSM secure memory while the emulator is connected will trip the ECSL and break the emulation connection. To allow emulation of secure code, while maintaining the CSM protection against secure memory reads, the user must write the correct value into the lower 64 bits of the KEY register, which matches the value stored in the lower 64 bits of the password locations within the flash. Note that dummy reads of all 128 bits of the password in the flash must still be performed. If the lower 64 bits of the password locations are all ones (unprogrammed), then the KEY value does not need to match.

When initially debugging a device with the password locations in flash programmed (that is, secured), the CPU will start running and may execute an instruction that performs an access to a protected ECSL area. If this happens, the ECSL will trip and cause the emulator connection to be cut.

The solution is to use the *Wait* boot option. This will sit in a loop around a software breakpoint to allow an emulator to be connected without tripping security. Piccolo devices do not support a hardware wait-in-reset mode.

---

#### NOTE

- When the code-security passwords are programmed, all addresses between 0x3F 7F80 and 0x3F 7FF5 cannot be used as program code or data. These locations must be programmed to 0x0000.
  - If the code security feature is not used, addresses 0x3F 7F80 through 0x3F 7FEF may be used for code or data. Addresses 0x3F 7FF0 – 0x3F 7FF5 are reserved for data and should not contain program code.
  - The 128-bit password (at 0x3F 7FF8 – 0x3F 7FFF) **must not** be programmed to zeros. Doing so would permanently lock the device.
- 

---

#### Disclaimer

##### Code Security Module Disclaimer

THE CODE SECURITY MODULE (CSM) INCLUDED ON THIS DEVICE WAS DESIGNED TO PASSWORD PROTECT THE DATA STORED IN THE ASSOCIATED MEMORY (EITHER ROM OR FLASH) AND IS WARRANTED BY TEXAS INSTRUMENTS (TI), IN ACCORDANCE WITH ITS STANDARD TERMS AND CONDITIONS, TO CONFORM TO TI'S PUBLISHED SPECIFICATIONS FOR THE WARRANTY PERIOD APPLICABLE FOR THIS DEVICE.

TI DOES NOT, HOWEVER, WARRANT OR REPRESENT THAT THE CSM CANNOT BE COMPROMISED OR BREACHED OR THAT THE DATA STORED IN THE ASSOCIATED MEMORY CANNOT BE ACCESSED THROUGH OTHER MEANS. MOREOVER, EXCEPT AS SET FORTH ABOVE, TI MAKES NO WARRANTIES OR REPRESENTATIONS CONCERNING THE CSM OR OPERATION OF THIS DEVICE, INCLUDING ANY IMPLIED WARRANTIES OF MERCHANTABILITY OR FITNESS FOR A PARTICULAR PURPOSE.

IN NO EVENT SHALL TI BE LIABLE FOR ANY CONSEQUENTIAL, SPECIAL, INDIRECT, INCIDENTAL, OR PUNITIVE DAMAGES, HOWEVER CAUSED, ARISING IN ANY WAY OUT OF YOUR USE OF THE CSM OR THIS DEVICE, WHETHER OR NOT TI HAS BEEN ADVISED OF THE POSSIBILITY OF SUCH DAMAGES. EXCLUDED DAMAGES INCLUDE, BUT ARE NOT LIMITED TO LOSS OF DATA, LOSS OF GOODWILL, LOSS OF USE OR INTERRUPTION OF BUSINESS OR OTHER ECONOMIC LOSS.

---

### 6.1.12 Peripheral Interrupt Expansion (PIE) Block

The PIE block serves to multiplex numerous interrupt sources into a smaller set of interrupt inputs. The PIE block can support up to 96 peripheral interrupts. On the F2806x, 72 of the possible 96 interrupts are used by peripherals. The 96 interrupts are grouped into blocks of 8 and each group is fed into 1 of 12 CPU interrupt lines (INT1 to INT12). Each of the 96 interrupts is supported by its own vector stored in a dedicated RAM block that can be overwritten by the user. The vector is automatically fetched by the CPU on servicing the interrupt. Eight CPU clock cycles are needed to fetch the vector and save critical CPU registers. Hence the CPU can quickly respond to interrupt events. Prioritization of interrupts is controlled in hardware and software. Each individual interrupt can be enabled or disabled within the PIE block.

### 6.1.13 External Interrupts (XINT1–XINT3)

The devices support three masked external interrupts (XINT1–XINT3). Each of the interrupts can be selected for negative, positive, or both negative and positive edge triggering and can also be enabled or disabled. These interrupts also contain a 16-bit free-running up counter, which is reset to zero when a valid interrupt edge is detected. This counter can be used to accurately time-stamp the interrupt. There are no dedicated pins for the external interrupts. XINT1, XINT2, and XINT3 interrupts can accept inputs from GPIO0–GPIO31 pins.

### 6.1.14 Internal Zero Pin Oscillators, Oscillator, and PLL

The device can be clocked by either of the two internal zero-pin oscillators, an external oscillator, or by a crystal attached to the on-chip oscillator circuit. A PLL is provided supporting up to 16 input-clock-scaling ratios. The PLL ratios can be changed on-the-fly in software, enabling the user to scale back on operating frequency if lower power operation is desired. Refer to [Section 5](#), Specifications, for timing details. The PLL block can be set in bypass mode. A second PLL (PLL2) feeds the HRCAP module.

### 6.1.15 Watchdog

Each device contains two watchdogs: CPU-watchdog that monitors the core and NMI-watchdog that is a missing clock-detect circuit. The user software must regularly reset the CPU-watchdog counter within a certain time frame; otherwise, the CPU-watchdog generates a reset to the processor. The CPU-watchdog can be disabled if necessary. The NMI-watchdog engages only in case of a clock failure and can either generate an interrupt or a device reset.

### 6.1.16 Peripheral Clocking

The clocks to each individual peripheral can be enabled or disabled to reduce power consumption when a peripheral is not in use. Additionally, the system clock to the serial ports (except I<sup>2</sup>C) can be scaled relative to the CPU clock.

### 6.1.17 Low-power Modes

The devices are full static CMOS devices. Three low-power modes are provided:

- IDLE:** Places CPU in low-power mode. Peripheral clocks may be turned off selectively and only those peripherals that need to function during IDLE are left operating. An enabled interrupt from an active peripheral or the watchdog timer will wake the processor from IDLE mode.
- STANDBY:** Turns off clock to CPU and peripherals. This mode leaves the oscillator and PLL functional. An external interrupt event will wake the processor and the peripherals. Execution begins on the next valid cycle after detection of the interrupt event
- HALT:** This mode basically shuts down the device and places it in the lowest possible power-consumption mode. If the internal zero-pin oscillators are used as the clock source, the HALT mode turns them off, by default. To keep these oscillators from shutting down, the INTOSCnHALTI bits in CLKCTL register may be used. The zero-pin oscillators may thus be used to clock the CPU-watchdog in this mode. If the on-chip crystal oscillator is used as the clock source, it is shut down in this mode. A reset or an external signal (through a GPIO pin) or the CPU-watchdog can wake the device from this mode.

The CPU clock (OSCCLK) and WDCLK should be from the same clock source before attempting to put the device into HALT or STANDBY.

### 6.1.18 Peripheral Frames 0, 1, 2, 3 (PFn)

The device segregates peripherals into four sections. The mapping of peripherals is as follows:

|      |                   |   |
|------|-------------------|---|
| PF0: | PIE:              | PIE Interrupt Enable and Control Registers Plus PIE Vector Table  |
|      | Flash:            | Flash Waitstate Registers   |
|      | Timers:           | CPU-Timers 0, 1, 2 Registers                                      |
|      | CSM:              | Code Security Module KEY Registers                                |
|      | ADC:              | ADC Result Registers  |
|      | CLA:              | Control Law Accelerator Registers and Message RAMs                |
| PF1: | GPIO:             | GPIO MUX Configuration and Control Registers                      |
|      | eCAN:             | Enhanced Control Area Network Configuration and Control Registers |
| PF2: | SYS:              | System Control Registers  |
|      | SCI:              | Serial Communications Interface (SCI) Control and RX/TX Registers |
|      | SPI:              | Serial Port Interface (SPI) Control and RX/TX Registers           |
|      | ADC:              | ADC Status, Control, and Configuration Registers                  |
|      | I <sup>2</sup> C: | Inter-Integrated Circuit Module and Registers                     |
|      | XINT:             | External Interrupt Registers                                      |
| PF3: | McBSP:            | Multichannel Buffered Serial Port Registers                       |
|      | ePWM:             | Enhanced Pulse Width Modulator Module and Registers               |
|      | eCAP:             | Enhanced Capture Module and Registers                             |
|      | eQEP:             | Enhanced Quadrature Encoder Pulse Module and Registers            |
|      | Comparators:      | Comparator Modules  |
|      | USB:              | Universal Serial Bus Module and Registers                         |

### 6.1.19 General-Purpose Input/Output (GPIO) Multiplexer

Most of the peripheral signals are multiplexed with general-purpose input/output (GPIO) signals. This enables the user to use a pin as GPIO if the peripheral signal or function is not used. On reset, GPIO pins are configured as inputs. The user can individually program each pin for GPIO mode or peripheral signal mode. For specific inputs, the user can also select the number of input qualification cycles. This is to filter unwanted noise glitches. The GPIO signals can also be used to bring the device out of specific low-power modes.

### 6.1.20 32-Bit CPU-Timers (0, 1, 2)

CPU-Timers 0, 1, and 2 are identical 32-bit timers with presetable periods and with 16-bit clock prescaling. The timers have a 32-bit count-down register, which generates an interrupt when the counter reaches zero. The counter is decremented at the CPU clock speed divided by the prescale value setting. When the counter reaches zero, it is automatically reloaded with a 32-bit period value.

CPU-Timer 0 is for general use and is connected to the PIE block. CPU-Timer 1 is also for general use and can be connected to INT13 of the CPU. CPU-Timer 2 is reserved for SYS/BIOS. CPU-Timer 2 is connected to INT14 of the CPU. If SYS/BIOS is not being used, CPU-Timer 2 is available for general use.

CPU-Timer 2 can be clocked by any one of the following:

- SYSCCLKOUT (default)
- Internal zero-pin oscillator 1 (INTOSC1)
- Internal zero-pin oscillator 2 (INTSOC2)
- External clock source

### 6.1.21 Control Peripherals

The devices support the following peripherals that are used for embedded control and communication:

- |             |  |
|-------------|--|
| ePWM:       | The enhanced PWM peripheral supports independent/complementary PWM generation, adjustable dead-band generation for leading/trailing edges, latched/cycle-by-cycle trip mechanism. Some of the PWM pins support the HRPWM high-resolution duty and period features. The type 1 module found on 2806x devices also supports increased dead-band resolution, enhanced SOC and interrupt generation, and advanced triggering including trip functions based on comparator outputs. |
| eCAP:       | The enhanced capture peripheral uses a 32-bit time base and registers up to four programmable events in continuous/one-shot capture modes. This peripheral can also be configured to generate an auxiliary PWM signal.   |
| eQEP:       | The enhanced QEP peripheral uses a 32-bit position counter, supports low-speed measurement using capture unit and high-speed measurement using a 32-bit unit timer. This peripheral has a watchdog timer to detect motor stall and input error detection logic to identify simultaneous edge transition in QEP signals.  |
| ADC:        | The ADC block is a 12-bit converter. The ADC has up to 16 single-ended channels pinned out, depending on the device. The ADC also contains two sample-and-hold units for simultaneous sampling.  |
| Comparator: | Each comparator block consists of one analog comparator along with an internal 10-bit reference for supplying one input of the comparator.   |
| HRCAP:      | The high-resolution capture peripheral operates in normal capture mode through a 16-bit counter clocked off of the HCCAPCLK or in high-resolution capture mode by using built-in calibration logic in conjunction with a TI-supplied calibration library.  |

## 6.1.22 Serial Port Peripherals

The devices support the following serial communication peripherals:

- SPI:** The SPI is a high-speed, synchronous serial I/O port that allows a serial bit stream of programmed length (1 to 16 bits) to be shifted into and out of the device at a programmable bit-transfer rate. Normally, the SPI is used for communications between the MCU and external peripherals or another processor. Typical applications include external I/O or peripheral expansion through devices such as shift registers, display drivers, and ADCs. Multi-device communications are supported by the master/slave operation of the SPI. The SPI contains a 4-level receive and transmit FIFO for reducing interrupt servicing overhead.
- SCI:** The serial communications interface is a 2-wire asynchronous serial port, commonly known as UART. The SCI contains a 4-level receive and transmit FIFO for reducing interrupt servicing overhead.
- I<sup>2</sup>C:** The inter-integrated circuit (I<sup>2</sup>C) module provides an interface between a MCU and other devices compliant with Philips Semiconductors Inter-IC bus (I<sup>2</sup>C-bus<sup>®</sup>) specification version 2.1 and connected by way of an I<sup>2</sup>C-bus. External components attached to this 2-wire serial bus can transmit/receive up to 8-bit data to or from the MCU through the I<sup>2</sup>C module. The I<sup>2</sup>C contains a 4-level receive-and-transmit FIFO for reducing interrupt servicing overhead.
- eCAN:** This is the enhanced version of the CAN peripheral. The eCAN supports 32 mailboxes, time stamping of messages, and is compliant with ISO11898-1 (CAN 2.0B).
- McBSP:** The multichannel buffered serial port (McBSP) connects to E1/T1 lines, phone-quality codecs for modem applications or high-quality stereo audio DAC devices. The McBSP receive and transmit registers are supported by the DMA to significantly reduce the overhead for servicing this peripheral. Each McBSP module can be configured as an SPI as required.
- USB:** The USB peripheral, which conforms to the USB 2.0 specification, may be used as either a full-speed (12-Mbps) device controller, or a full-speed (12-Mbps) or low-speed (1.5-Mbps) host controller. The controller supports a total of six user-configurable endpoints—all of which can be accessed through DMA, in addition to a dedicated control endpoint for endpoint zero. All packets transmitted or received are buffered in 4KB of dedicated endpoint memory. The USB peripheral supports all four transfer types: Control, Interrupt, Bulk, and Isochronous. Because of the complexity of the USB peripheral and the associated protocol overhead, a full software library with application examples is provided within controlSUITE™.

## 6.2 Memory Maps

In [Figure 6-1](#) through [Figure 6-8](#), the following apply:

- Memory blocks are not to scale.
- Peripheral Frame 0, Peripheral Frame 1, Peripheral Frame 2, and Peripheral Frame 3 memory maps are restricted to data memory only. A user program cannot access these memory maps in program space.
- *Protected* means the order of Write-followed-by-Read operations is preserved rather than the pipeline order.
- Certain memory ranges are EALLOW protected against spurious writes after configuration.
- Locations 0x3D 7C80–0x3D 7CC0 contain the internal oscillator and ADC calibration routines. These locations are not programmable by the user.
- All devices with USB have the USB control registers mapped from 0x4000 to 0x4FFF and 2K ×16 RAM from 0x40000 to 0x40800. When the clock to the USB module is enabled, this RAM is connected to the USB controller and acts as the FIFO RAM. When the clock to the USB module is disabled, this RAM is remapped to the CPU-accessible address space and can be used as general-purpose RAM.

|           | Data Space   | Prog Space |          |
|-----------|--|------------|----------|
| 0x00 0000 | <i>M0 Vector RAM (Enabled if VMAP = 0)</i>                               |            |          |
| 0x00 0040 | <i>M0 SARAM (1K × 16, 0-Wait)</i>  |            |          |
| 0x00 0400 | <i>M1 SARAM (1K × 16, 0-Wait)</i>  |            |          |
| 0x00 0800 | Peripheral Frame 0   | Reserved   |          |
| 0x00 0D00 | PIE Vector - RAM<br>(256 × 16)<br>(Enabled if<br>VMAP = 1,<br>ENPIE = 1) |            |          |
| 0x00 0E00 | Peripheral Frame 0   |            |          |
| 0x00 1400 | CLA Registers  |            |          |
| 0x00 1480 | CLA-to-CPU Message RAM   |            |          |
| 0x00 1500 | CPU-to-CLA Message RAM   |            |          |
| 0x00 1580 | Reserved   |            |          |
| 0x00 2000 | Reserved   |            |          |
| 0x00 4000 | USB Control Registers <sup>(A)</sup>                                     |            | Reserved |
| 0x00 5000 | Peripheral Frame 3<br>(4K × 16, Protected)<br>DMA-Accessible             |            |          |
| 0x00 6000 | Peripheral Frame 1<br>(4K × 16, Protected)                               |            |          |
| 0x00 7000 | Peripheral Frame 2<br>(4K × 16, Protected)                               |            |          |
| 0x00 8000 | L0 DPSARAM (2K × 16)<br>(0-Wait, Secure Zone + ECSL, CLA Data RAM2)      |            |          |
| 0x00 8800 | L1 DPSARAM (1K × 16)<br>(0-Wait, Secure Zone + ECSL, CLA Data RAM 0)     |            |          |
| 0x00 8C00 | L2 DPSARAM (1K × 16)<br>(0-Wait, Secure Zone + ECSL, CLA Data RAM 1)     |            |          |
| 0x00 9000 | L3 DPSARAM (4K × 16)<br>(0-Wait, Secure Zone + ECSL, CLA Program RAM)    |            |          |
| 0x00 A000 | L4 SARAM (8K × 16)<br>(0-Wait, Secure Zone + ECSL)                       |            |          |
| 0x00 C000 | L5 DPSARAM (8K × 16)<br>(0-Wait, DMA RAM 0)                              |            |          |
| 0x00 E000 | L6 DPSARAM (8K × 16)<br>(0-Wait, DMA RAM 1)                              |            |          |
| 0x01 0000 | L7 DPSARAM (8K × 16)<br>(0-Wait, DMA RAM 2)                              |            |          |
| 0x01 2000 | L8 DPSARAM (8K × 16)<br>(0-Wait, DMA RAM 3)                              |            |          |
| 0x01 4000 | Reserved   |            |          |
| 0x3D 7800 | User OTP (1K × 16, Secure Zone + ECSL)                                   |            |          |
| 0x3D 7BFA | Reserved   |            |          |
| 0x3D 7C80 | Calibration Data   |            |          |
| 0x3D 7CC0 | Get_mode function  |            |          |
| 0x3D 7CD0 | Reserved   |            |          |
| 0x3D 7E80 | PARTID   |            |          |
|           | Calibration Data   |            |          |
| 0x3D 7EB0 | Reserved   |            |          |
| 0x3D 8000 | FLASH<br>(128K × 16, 8 Sectors, Secure Zone + ECSL)                      |            |          |
| 0x3F 7FF8 | 128-Bit Password   |            |          |
| 0x3F 8000 | FAST and SpinTAC Libraries <sup>(B)</sup><br>(16K × 16, 0-Wait)          |            |          |
| 0x3F C000 | Boot ROM (16K × 16, 0-Wait)  |            |          |
| 0x3F FFC0 | Vector (32 Vectors, Enabled if VMAP = 1)                                 |            |          |

A. On non-USB devices, 0x00 4000–0x00 4FFF is Reserved.

B. On 2806xM and 2806xF devices only.

**Figure 6-1. 28069 Memory Map**



|           | Data Space   | Prog Space |
|-----------|--|------------|
| 0x00 0000 | M0 Vector RAM (Enabled if VMAP = 0)                                      |            |
| 0x00 0040 | M0 SARAM (1K × 16, 0-Wait)   |            |
| 0x00 0400 | M1 SARAM (1K × 16, 0-Wait)   |            |
| 0x00 0800 | Peripheral Frame 0   | Reserved   |
| 0x00 0D00 | PIE Vector - RAM<br>(256 × 16)<br>(Enabled if<br>VMAP = 1,<br>ENPIE = 1) |            |
| 0x00 0E00 | Peripheral Frame 0   |            |
| 0x00 1400 | Reserved   |            |
| 0x00 4000 | USB Control Registers <sup>(A)</sup>                                     | Reserved   |
| 0x00 5000 | Peripheral Frame 3<br>(4K × 16, Protected)<br>DMA-Accessible             |            |
| 0x00 6000 | Peripheral Frame 1<br>(4K × 16, Protected)                               |            |
| 0x00 7000 | Peripheral Frame 2<br>(4K × 16, Protected)                               |            |
| 0x00 8000 | L0 DPSARAM (2K × 16)<br>(0-Wait, Secure Zone + ECSL)                     |            |
| 0x00 8800 | L1 DPSARAM (1K × 16)<br>(0-Wait, Secure Zone + ECSL)                     |            |
| 0x00 8C00 | L2 DPSARAM (1K × 16)<br>(0-Wait, Secure Zone + ECSL)                     |            |
| 0x00 9000 | L3 DPSARAM (4K × 16)<br>(0-Wait, Secure Zone + ECSL)                     |            |
| 0x00 A000 | L4 SARAM (8K × 16)<br>(0-Wait, Secure Zone + ECSL)                       |            |
| 0x00 C000 | L5 DPSARAM (8K × 16)<br>(0-Wait, DMA RAM 0)                              |            |
| 0x00 E000 | L6 DPSARAM (8K × 16)<br>(0-Wait, DMA RAM 1)                              |            |
| 0x01 0000 | L7 DPSARAM (8K × 16)<br>(0-Wait, DMA RAM 2)                              |            |
| 0x01 2000 | L8 DPSARAM (8K × 16)<br>(0-Wait, DMA RAM 3)                              |            |
| 0x01 4000 | Reserved   |            |
| 0x3D 7800 | User OTP (1K × 16, Secure Zone + ECSL)                                   |            |
| 0x3D 7BFA | Reserved   |            |
| 0x3D 7C80 | Calibration Data   |            |
| 0x3D 7CC0 | Get_mode function  |            |
| 0x3D 7CD0 | Reserved   |            |
| 0x3D 7E80 | PARTID   |            |
|           | Calibration Data   |            |
| 0x3D 7EB0 | Reserved   |            |
| 0x3D 8000 | FLASH<br>(128K × 16, 8 Sectors, Secure Zone + ECSL)                      |            |
| 0x3F 7FF8 | 128-Bit Password   |            |
| 0x3F 8000 | FAST and SpinTAC Libraries <sup>(B)</sup><br>(16K × 16, 0-Wait)          |            |
| 0x3F C000 | Boot ROM (16K × 16, 0-Wait)  |            |
| 0x3F FFC0 | Vector (32 Vectors, Enabled if VMAP = 1)                                 |            |

- A. On non-USB devices, 0x00 4000–0x00 4FFF is Reserved.  
B. On 2806xM and 2806xF devices only.

Figure 6-2. 28068 Memory Map

|           | Data Space   | Prog Space |
|-----------|--|------------|
| 0x00 0000 | M0 Vector RAM (Enabled if VMAP = 0)                                      |            |
| 0x00 0040 | M0 SARAM (1K × 16, 0-Wait)   |            |
| 0x00 0400 | M1 SARAM (1K × 16, 0-Wait)   |            |
| 0x00 0800 | Peripheral Frame 0   | Reserved   |
| 0x00 0D00 | PIE Vector - RAM<br>(256 × 16)<br>(Enabled if<br>VMAP = 1,<br>ENPIE = 1) |            |
| 0x00 0E00 | Peripheral Frame 0   |            |
| 0x00 1400 | Reserved   |            |
| 0x00 4000 | USB Control Registers <sup>(A)</sup>                                     | Reserved   |
| 0x00 5000 | Peripheral Frame 3<br>(4K × 16, Protected)<br>DMA-Accessible             |            |
| 0x00 6000 | Peripheral Frame 1<br>(4K × 16, Protected)                               |            |
| 0x00 7000 | Peripheral Frame 2<br>(4K × 16, Protected)                               |            |
| 0x00 8000 | L0 DPSARAM (2K × 16)<br>(0-Wait, Secure Zone + ECSL)                     |            |
| 0x00 8800 | L1 DPSARAM (1K × 16)<br>(0-Wait, Secure Zone + ECSL)                     |            |
| 0x00 8C00 | L2 DPSARAM (1K × 16)<br>(0-Wait, Secure Zone + ECSL)                     |            |
| 0x00 9000 | L3 DPSARAM (4K × 16)<br>(0-Wait, Secure Zone + ECSL)                     |            |
| 0x00 A000 | L4 SARAM (8K × 16)<br>(0-Wait, Secure Zone + ECSL)                       |            |
| 0x00 C000 | L5 DPSARAM (8K × 16)<br>(0-Wait, DMA RAM 0)                              |            |
| 0x00 E000 | L6 DPSARAM (8K × 16)<br>(0-Wait, DMA RAM 1)                              |            |
| 0x01 0000 | L7 DPSARAM (8K × 16)<br>(0-Wait, DMA RAM 2)                              |            |
| 0x01 2000 | L8 DPSARAM (8K × 16)<br>(0-Wait, DMA RAM 3)                              |            |
| 0x01 4000 | Reserved   |            |
| 0x3D 7800 | User OTP (1K × 16, Secure Zone + ECSL)                                   |            |
| 0x3D 7BFA | Reserved   |            |
| 0x3D 7C80 | Calibration Data   |            |
| 0x3D 7CC0 | Get_mode function  |            |
| 0x3D 7CD0 | Reserved   |            |
| 0x3D 7E80 | PARTID   |            |
|           | Calibration Data   |            |
| 0x3D 7EB0 | Reserved   |            |
| 0x3D 8000 | FLASH<br>(128K × 16, 8 Sectors, Secure Zone + ECSL)                      |            |
| 0x3F 7FF8 | 128-Bit Password   |            |
| 0x3F 8000 | Boot ROM (32K × 16, 0-Wait)  |            |
| 0x3F FFC0 | Vector (32 Vectors, Enabled if VMAP = 1)                                 |            |

A. On non-USB devices, 0x00 4000–0x00 4FFF is Reserved.

**Figure 6-3. 28067 Memory Map**

|           | Data Space   | Prog Space |
|-----------|--|------------|
| 0x00 0000 | <i>M0 Vector RAM (Enabled if VMAP = 0)</i>                               |            |
| 0x00 0040 | <i>M0 SARAM (1K × 16, 0-Wait)</i>  |            |
| 0x00 0400 | <i>M1 SARAM (1K × 16, 0-Wait)</i>  |            |
| 0x00 0800 | Peripheral Frame 0   | Reserved   |
| 0x00 0D00 | PIE Vector - RAM<br>(256 × 16)<br>(Enabled if<br>VMAP = 1,<br>ENPIE = 1) |            |
| 0x00 0E00 | Peripheral Frame 0   |            |
| 0x00 1400 | Reserved   |            |
| 0x00 4000 | USB Control Registers <sup>(A)</sup>                                     | Reserved   |
| 0x00 5000 | Peripheral Frame 3<br>(4K × 16, Protected)<br>DMA-Accessible             |            |
| 0x00 6000 | Peripheral Frame 1<br>(4K × 16, Protected)                               |            |
| 0x00 7000 | Peripheral Frame 2<br>(4K × 16, Protected)                               |            |
| 0x00 8000 | L0 DPSARAM (2K × 16)<br>(0-Wait, Secure Zone + ECSL)                     |            |
| 0x00 8800 | L1 DPSARAM (1K × 16)<br>(0-Wait, Secure Zone + ECSL)                     |            |
| 0x00 8C00 | L2 DPSARAM (1K × 16)<br>(0-Wait, Secure Zone + ECSL)                     |            |
| 0x00 9000 | L3 DPSARAM (4K × 16)<br>(0-Wait, Secure Zone + ECSL)                     |            |
| 0x00 A000 | L4 SARAM (8K × 16)<br>(0-Wait, Secure Zone + ECSL)                       |            |
| 0x00 C000 | L5 DPSARAM (8K × 16)<br>(0-Wait, DMA RAM 0)                              |            |
| 0x00 E000 | L6 DPSARAM (8K × 16)<br>(0-Wait, DMA RAM 1)                              |            |
| 0x01 0000 | Reserved   |            |
| 0x3D 7800 | User OTP (1K × 16, Secure Zone + ECSL)                                   |            |
| 0x3D 7BFA | Reserved   |            |
| 0x3D 7C80 | Calibration Data   |            |
| 0x3D 7CC0 | Get_mode function  |            |
| 0x3D 7CD0 | Reserved   |            |
| 0x3D 7E80 | PARTID   |            |
|           | Calibration Data   |            |
| 0x3D 7EB0 | Reserved   |            |
| 0x3D 8000 | FLASH<br>(128K × 16, 8 Sectors, Secure Zone + ECSL)                      |            |
| 0x3F 7FF8 | 128-Bit Password   |            |
| 0x3F 8000 | <i>Boot ROM (32K × 16, 0-Wait)</i>                                       |            |
| 0x3F FFC0 | <i>Vector (32 Vectors, Enabled if VMAP = 1)</i>                          |            |

A. On non-USB devices, 0x00 4000–0x00 4FFF is Reserved.

Figure 6-4. 28066 Memory Map

|           | Data Space  | Prog Space |  |
|-----------|---|------------|--|
| 0x00 0000 | <i>M0 Vector RAM (Enabled if VMAP = 0)</i>                                    |            |  |
| 0x00 0040 | <i>M0 SARAM (1K × 16, 0-Wait)</i>   |            |  |
| 0x00 0400 | <i>M1 SARAM (1K × 16, 0-Wait)</i>   |            |  |
| 0x00 0800 | Peripheral Frame 0  | Reserved   |  |
| 0x00 0D00 | PIE Vector - RAM<br>(256 × 16)<br>(Enabled if<br>VMAP = 1,<br>ENPIE = 1)      |            |  |
| 0x00 0E00 | Peripheral Frame 0  |            |  |
| 0x00 1400 | CLA Registers   |            |  |
| 0x00 1480 | CLA-to-CPU Message RAM  |            |  |
| 0x00 1500 | CPU-to-CLA Message RAM  |            |  |
| 0x00 1580 | Reserved  |            |  |
| 0x00 2000 | Reserved  |            |  |
| 0x00 4000 | USB Control Registers <sup>(A)</sup>  |            |  |
| 0x00 5000 | Peripheral Frame 3<br>(4K × 16, Protected)<br>DMA-Accessible                  |            |  |
| 0x00 6000 | Peripheral Frame 1<br>(4K × 16, Protected)                                    |            |  |
| 0x00 7000 | Peripheral Frame 2<br>(4K × 16, Protected)                                    |            |  |
| 0x00 8000 | <i>L0 DPSARAM (2K × 16)<br/>(0-Wait, Secure Zone + ECSL, CLA Data RAM2)</i>   |            |  |
| 0x00 8800 | <i>L1 DPSARAM (1K × 16)<br/>(0-Wait, Secure Zone + ECSL, CLA Data RAM 0)</i>  |            |  |
| 0x00 8C00 | <i>L2 DPSARAM (1K × 16)<br/>(0-Wait, Secure Zone + ECSL, CLA Data RAM 1)</i>  |            |  |
| 0x00 9000 | <i>L3 DPSARAM (4K × 16)<br/>(0-Wait, Secure Zone + ECSL, CLA Program RAM)</i> |            |  |
| 0x00 A000 | <i>L4 SARAM (8K × 16)<br/>(0-Wait, Secure Zone + ECSL)</i>                    |            |  |
| 0x00 C000 | <i>L5 DPSARAM (8K × 16)<br/>(0-Wait, DMA RAM 0)</i>                           |            |  |
| 0x00 E000 | <i>L6 DPSARAM (8K × 16)<br/>(0-Wait, DMA RAM 1)</i>                           |            |  |
| 0x01 0000 | <i>L7 DPSARAM (8K × 16)<br/>(0-Wait, DMA RAM 2)</i>                           |            |  |
| 0x01 2000 | <i>L8 DPSARAM (8K × 16)<br/>(0-Wait, DMA RAM 3)</i>                           |            |  |
| 0x01 4000 | Reserved  |            |  |
| 0x3D 7800 | User OTP (1K × 16, Secure Zone + ECSL)  |            |  |
| 0x3D 7BFA | Reserved  |            |  |
| 0x3D 7C80 | Calibration Data  |            |  |
| 0x3D 7CC0 | Get_mode function   |            |  |
| 0x3D 7CD0 | Reserved  |            |  |
| 0x3D 7E80 | PARTID  |            |  |
|           | Calibration Data  |            |  |
| 0x3D 7EB0 | Reserved  |            |  |
| 0x3E 8000 | FLASH<br>(64K × 16, 8 Sectors, Secure Zone + ECSL)                            |            |  |
| 0x3F 7FF8 | 128-Bit Password  |            |  |
| 0x3F 8000 | <i>Boot ROM (32K × 16, 0-Wait)</i>  |            |  |
| 0x3F FFC0 | <i>Vector (32 Vectors, Enabled if VMAP = 1)</i>                               |            |  |

A. On non-USB devices, 0x00 4000–0x00 4FFF is Reserved.

**Figure 6-5. 28065 Memory Map**

|           | Data Space   | Prog Space |
|-----------|--|------------|
| 0x00 0000 | M0 Vector RAM (Enabled if VMAP = 0)                                      |            |
| 0x00 0040 | M0 SARAM (1K × 16, 0-Wait)   |            |
| 0x00 0400 | M1 SARAM (1K × 16, 0-Wait)   |            |
| 0x00 0800 | Peripheral Frame 0   | Reserved   |
| 0x00 0D00 | PIE Vector - RAM<br>(256 × 16)<br>(Enabled if<br>VMAP = 1,<br>ENPIE = 1) |            |
| 0x00 0E00 | Peripheral Frame 0   |            |
| 0x00 1400 | Reserved   |            |
| 0x00 4000 | USB Control Registers <sup>(A)</sup>                                     | Reserved   |
| 0x00 5000 | Peripheral Frame 3<br>(4K × 16, Protected)<br>DMA-Accessible             |            |
| 0x00 6000 | Peripheral Frame 1<br>(4K × 16, Protected)                               |            |
| 0x00 7000 | Peripheral Frame 2<br>(4K × 16, Protected)                               |            |
| 0x00 8800 | L0 DPSARAM (2K × 16)<br>(0-Wait, Secure Zone + ECSL)                     |            |
| 0x00 8C00 | L1 DPSARAM (1K × 16)<br>(0-Wait, Secure Zone + ECSL)                     |            |
| 0x00 9000 | L2 DPSARAM (1K × 16)<br>(0-Wait, Secure Zone + ECSL)                     |            |
| 0x00 9000 | L3 DPSARAM (4K × 16)<br>(0-Wait, Secure Zone + ECSL)                     |            |
| 0x00 A000 | L4 SARAM (8K × 16)<br>(0-Wait, Secure Zone + ECSL)                       |            |
| 0x00 C000 | L5 DPSARAM (8K × 16)<br>(0-Wait, DMA RAM 0)                              |            |
| 0x00 E000 | L6 DPSARAM (8K × 16)<br>(0-Wait, DMA RAM 1)                              |            |
| 0x01 0000 | L7 DPSARAM (8K × 16)<br>(0-Wait, DMA RAM 2)                              |            |
| 0x01 2000 | L8 DPSARAM (8K × 16)<br>(0-Wait, DMA RAM 3)                              |            |
| 0x01 4000 | Reserved   |            |
| 0x3D 7800 | User OTP (1K × 16, Secure Zone + ECSL)                                   |            |
| 0x3D 7BFA | Reserved   |            |
| 0x3D 7C80 | Calibration Data   |            |
| 0x3D 7CC0 | Get_mode function  |            |
| 0x3D 7CD0 | Reserved   |            |
| 0x3D 7E80 | PARTID   |            |
| 0x3D 7EB0 | Calibration Data   |            |
| 0x3E 8000 | Reserved   |            |
| 0x3F 7FF8 | FLASH<br>(64K × 16, 8 Sectors, Secure Zone + ECSL)                       |            |
| 0x3F 8000 | 128-Bit Password   |            |
| 0x3F 8000 | Boot ROM (32K × 16, 0-Wait)  |            |
| 0x3F FFC0 | Vector (32 Vectors, Enabled if VMAP = 1)                                 |            |

A. On non-USB devices, 0x00 4000–0x00 4FFF is Reserved.

**Figure 6-6. 28064 Memory Map**

|           | Data Space   | Prog Space |
|-----------|--|------------|
| 0x00 0000 | <i>M0 Vector RAM (Enabled if VMAP = 0)</i>                               |            |
| 0x00 0040 | <i>M0 SARAM (1K × 16, 0-Wait)</i>  |            |
| 0x00 0400 | <i>M1 SARAM (1K × 16, 0-Wait)</i>  |            |
| 0x00 0800 | Peripheral Frame 0   | Reserved   |
| 0x00 0D00 | PIE Vector - RAM<br>(256 × 16)<br>(Enabled if<br>VMAP = 1,<br>ENPIE = 1) |            |
| 0x00 0E00 | Peripheral Frame 0   |            |
| 0x00 1400 | Reserved   |            |
| 0x00 4000 | USB Control Registers <sup>(A)</sup>                                     | Reserved   |
| 0x00 5000 | Peripheral Frame 3<br>(4K × 16, Protected)<br>DMA-Accessible             |            |
| 0x00 6000 | Peripheral Frame 1<br>(4K × 16, Protected)                               |            |
| 0x00 7000 | Peripheral Frame 2<br>(4K × 16, Protected)                               |            |
| 0x00 8000 | L0 DPSARAM (2K × 16)<br>(0-Wait, Secure Zone + ECSL)                     |            |
| 0x00 8800 | L1 DPSARAM (1K × 16)<br>(0-Wait, Secure Zone + ECSL)                     |            |
| 0x00 8C00 | L2 DPSARAM (1K × 16)<br>(0-Wait, Secure Zone + ECSL)                     |            |
| 0x00 9000 | L3 DPSARAM (4K × 16)<br>(0-Wait, Secure Zone + ECSL)                     |            |
| 0x00 A000 | L4 SARAM (8K × 16)<br>(0-Wait, Secure Zone + ECSL)                       |            |
| 0x00 C000 | L5 DPSARAM (8K × 16)<br>(0-Wait, DMA RAM 0)                              |            |
| 0x00 E000 | L6 DPSARAM (8K × 16)<br>(0-Wait, DMA RAM 1)                              |            |
| 0x01 0000 | Reserved   |            |
| 0x3D 7800 | User OTP (1K × 16, Secure Zone + ECSL)                                   |            |
| 0x3D 7BFA | Reserved   |            |
| 0x3D 7C80 | Calibration Data   |            |
| 0x3D 7CC0 | Get_mode function  |            |
| 0x3D 7CD0 | Reserved   |            |
| 0x3D 7E80 | PARTID   |            |
|           | Calibration Data   |            |
| 0x3D 7EB0 | Reserved   |            |
| 0x3E 8000 | FLASH<br>(64K × 16, 8 Sectors, Secure Zone + ECSL)                       |            |
| 0x3F 7FF8 | 128-Bit Password   |            |
| 0x3F 8000 | <i>Boot ROM (32K × 16, 0-Wait)</i>                                       |            |
| 0x3F FFC0 | <i>Vector (32 Vectors, Enabled if VMAP = 1)</i>                          |            |

A. On non-USB devices, 0x00 4000–0x00 4FFF is Reserved.

**Figure 6-7. 28063 Memory Map**

|           | Data Space   | Prog Space |
|-----------|--|------------|
| 0x00 0000 | M0 Vector RAM (Enabled if VMAP = 0)                                      |            |
| 0x00 0040 | M0 SARAM (1K × 16, 0-Wait)   |            |
| 0x00 0400 | M1 SARAM (1K × 16, 0-Wait)   |            |
| 0x00 0800 | Peripheral Frame 0   | Reserved   |
| 0x00 0D00 | PIE Vector - RAM<br>(256 × 16)<br>(Enabled if<br>VMAP = 1,<br>ENPIE = 1) |            |
| 0x00 0E00 | Peripheral Frame 0   |            |
| 0x00 1400 | Reserved   |            |
| 0x00 4000 | USB Control Registers <sup>(A)</sup>                                     | Reserved   |
| 0x00 5000 | Peripheral Frame 3<br>(4K × 16, Protected)<br>DMA-Accessible             |            |
| 0x00 6000 | Peripheral Frame 1<br>(4K × 16, Protected)                               |            |
| 0x00 7000 | Peripheral Frame 2<br>(4K × 16, Protected)                               |            |
| 0x00 8000 | L0 DPSARAM (2K × 16)<br>(0-Wait, Secure Zone + ECSL)                     |            |
| 0x00 8800 | L1 DPSARAM (1K × 16)<br>(0-Wait, Secure Zone + ECSL)                     |            |
| 0x00 8C00 | L2 DPSARAM (1K × 16)<br>(0-Wait, Secure Zone + ECSL)                     |            |
| 0x00 9000 | L3 DPSARAM (4K × 16)<br>(0-Wait, Secure Zone + ECSL)                     |            |
| 0x00 A000 | L4 SARAM (8K × 16)<br>(0-Wait, Secure Zone + ECSL)                       |            |
| 0x00 C000 | L5 DPSARAM (8K × 16)<br>(0-Wait, DMA RAM 0)                              |            |
| 0x00 E000 | Reserved   |            |
| 0x3D 7800 | User OTP (1K × 16, Secure Zone + ECSL)                                   |            |
| 0x3D 7BFA | Reserved   |            |
| 0x3D 7C80 | Calibration Data   |            |
| 0x3D 7CC0 | Get_mode function  |            |
| 0x3D 7CD0 | Reserved   |            |
| 0x3D 7E80 | PARTID   |            |
|           | Calibration Data   |            |
| 0x3D 7EB0 | Reserved   |            |
| 0x3E 8000 | FLASH<br>(64K × 16, 8 Sectors, Secure Zone + ECSL)                       |            |
| 0x3F 7FF8 | 128-Bit Password   |            |
| 0x3F 8000 | FAST and SpinTAC Libraries <sup>(B)</sup><br>(16K × 16, 0-Wait)          |            |
| 0x3F C000 | Boot ROM (16K × 16, 0-Wait)  |            |
| 0x3F FFC0 | Vector (32 Vectors, Enabled if VMAP = 1)                                 |            |

- A. On non-USB devices, 0x00 4000–0x00 4FFF is Reserved.
- B. On 2806xM and 2806xF devices only.

Figure 6-8. 28062 Memory Map

**Table 6-3. Addresses of Flash Sectors in F28069, F28068, F28067, F28066**

| ADDRESS RANGE         | PROGRAM AND DATA SPACE   |
|-----------------------|--|
| 0x3D 8000 – 0x3D BFFF | Sector H (16K x 16)  |
| 0x3D C000 – 0x3D FFFF | Sector G (16K x 16)  |
| 0x3E 0000 – 0x3E 3FFF | Sector F (16K x 16)  |
| 0x3E 4000 – 0x3E 7FFF | Sector E (16K x 16)  |
| 0x3E 8000 – 0x3E BFFF | Sector D (16K x 16)  |
| 0x3E C000 – 0x3E FFFF | Sector C (16K x 16)  |
| 0x3F 0000 – 0x3F 3FFF | Sector B (16K x 16)  |
| 0x3F 4000 – 0x3F 7FF5 | Sector A (16K x 16)  |
| 0x3F 7FF6 – 0x3F 7FF7 | Boot-to-Flash Entry Point<br>(program branch instruction here) |
| 0x3F 7FF8 – 0x3F 7FFF | Security Password (128-Bit)<br>(Do not program to all zeros)   |

**Table 6-4. Addresses of Flash Sectors in F28065, F28064, F28063, F28062**

| ADDRESS RANGE         | PROGRAM AND DATA SPACE   |
|-----------------------|--|
| 0x3E 8000 – 0x3E 9FFF | Sector H (8K x 16)   |
| 0x3E A000 – 0x3E BFFF | Sector G (8K x 16)   |
| 0x3E C000 – 0x3E DFFF | Sector F (8K x 16)   |
| 0x3E E000 – 0x3E FFFF | Sector E (8K x 16)   |
| 0x3F 0000 – 0x3F 1FFF | Sector D (8K x 16)   |
| 0x3F 2000 – 0x3F 3FFF | Sector C (8K x 16)   |
| 0x3F 4000 – 0x3F 5FFF | Sector B (8K x 16)   |
| 0x3F 6000 – 0x3F 7FF5 | Sector A (8K x 16)   |
| 0x3F 7FF6 – 0x3F 7FF7 | Boot-to-Flash Entry Point<br>(program branch instruction here) |
| 0x3F 7FF8 – 0x3F 7FFF | Security Password (128-Bit)<br>(Do not program to all zeros)   |

**NOTE**

Addresses 0x3F 7FF0 – 0x3F 7FF5 are reserved for data and should not contain program code.



Peripheral Frame 1 and Peripheral Frame 2 are grouped together to enable these blocks to be write/read peripheral block protected. The protected mode makes sure that all accesses to these blocks happen as written. Because of the pipeline, a write immediately followed by a read to different memory locations, will appear in reverse order on the memory bus of the CPU. This can cause problems in certain peripheral applications where the user expected the write to occur first (as written). The CPU supports a block protection mode where a region of memory can be protected so that operations occur as written (the penalty is extra cycles are added to align the operations). This mode is programmable and by default, it protects the selected zones.

The wait-states for the various spaces in the memory map area are listed in [Table 6-5](#).

**Table 6-5. Wait-States**

| AREA               | WAIT-STATES (CPU)   | COMMENTS   |
|--------------------|---|--|
| M0 and M1 SARAMs   | 0-wait  | Fixed  |
| Peripheral Frame 0 | 0-wait  |  |
| Peripheral Frame 1 | 0-wait (writes)<br>2-wait (reads)                                       | Cycles can be extended by peripheral-generated ready.<br>Back-to-back write operations to Peripheral Frame 1 registers will incur a 1-cycle stall (1-cycle delay). |
| Peripheral Frame 2 | 0-wait (writes)<br>2-wait (reads)                                       | Fixed. Cycles cannot be extended by the peripheral.  |
| Peripheral Frame 3 | 0-wait (writes)<br><br>2-wait (reads)                                   | Assumes no conflict between CPU and CLA/DMA cycles. The wait states can be extended by peripheral-generated ready.   |
| L0–L8 SARAM        | 0-wait data and program   | Assumes no CPU conflicts   |
| OTP                | Programmable<br>1-wait minimum  | Programmed through the Flash registers.<br>1-wait is minimum number of wait states allowed.  |
| FLASH              | Programmable<br>0-wait Paged min<br>1-wait Random min<br>Random ≥ Paged | Programmed through the Flash registers.  |
| FLASH Password     | 16-wait fixed   | Wait states of password locations are fixed.   |
| Boot-ROM           | 0-wait  |  |

### 6.3 Register Maps

The devices contain four peripheral register spaces. The spaces are categorized as follows:

Peripheral Frame 0: These are peripherals that are mapped directly to the CPU memory bus. See [Table 6-6](#).

Peripheral Frame 1: These are peripherals that are mapped to the 32-bit peripheral bus. See [Table 6-7](#).

Peripheral Frame 2: These are peripherals that are mapped to the 16-bit peripheral bus. See [Table 6-8](#).

Peripheral Frame 3: McBSP registers are mapped to this. See [Table 6-9](#).

**Table 6-6. Peripheral Frame 0 Registers<sup>(1)</sup>**

| NAME   | ADDRESS RANGE         | SIZE (x16) | EALLOW PROTECTED <sup>(2)</sup> |
|--|-----------------------|------------|---------------------------------|
| Device Emulation registers                   | 0x00 0880 – 0x00 0984 | 261        | Yes                             |
| System Power Control registers               | 0x00 0985 – 0x00 0987 | 3          | Yes                             |
| FLASH registers <sup>(3)</sup>               | 0x00 0A80 – 0x00 0ADF | 96         | Yes                             |
| Code Security Module registers               | 0x00 0AE0 – 0x00 0AEF | 16         | Yes                             |
| ADC registers (0 wait read only)             | 0x00 0B00 – 0x00 0B0F | 16         | No                              |
| CPU-TIMER0, CPU-TIMER1, CPU-TIMER2 registers | 0x00 0C00 – 0x00 0C3F | 64         | No                              |
| PIE registers                                | 0x00 0CE0 – 0x00 0CFF | 32         | No                              |
| PIE Vector Table                             | 0x00 0D00 – 0x00 0DFF | 256        | Yes                             |
| DMA registers                                | 0x00 1000 – 0x00 11FF | 512        | Yes                             |
| CLA registers                                | 0x00 1400 – 0x00 147F | 128        | Yes                             |
| CLA to CPU Message RAM (CPU writes ignored)  | 0x00 1480 – 0x00 14FF | 128        | NA                              |
| CPU to CLA Message RAM (CLA writes ignored)  | 0x00 1500 – 0x00 157F | 128        | NA                              |

(1) Registers in Frame 0 support 16-bit and 32-bit accesses.

(2) If registers are EALLOW protected, then writes cannot be performed until the EALLOW instruction is executed. The EDIS instruction disables writes to prevent stray code or pointers from corrupting register contents.

(3) The Flash Registers are also protected by the Code Security Module (CSM).

**Table 6-7. Peripheral Frame 1 Registers**

| NAME             | ADDRESS RANGE         | SIZE (x16) | EALLOW PROTECTED |
|------------------|-----------------------|------------|------------------|
| eCAN-A registers | 0x00 6000 – 0x00 61FF | 512        | (1)              |
| HRCAP1 registers | 0x00 6AC0 – 0x00 6ADF | 32         | (1)              |
| HRCAP2 registers | 0x00 6AE0 – 0x00 6AFF | 32         | (1)              |
| HRCAP3 registers | 0x00 6C80 – 0x00 6C9F | 32         | (1)              |
| HRCAP4 registers | 0x00 6CA0 – 0x00 6CBF | 32         | (1)              |
| GPIO registers   | 0x00 6F80 – 0x00 6FFF | 128        | (1)              |

(1) Some registers are EALLOW protected. See the module reference guide for more information.

**Table 6-8. Peripheral Frame 2 Registers**

| NAME                             | ADDRESS RANGE         | SIZE (x16) | EALLOW PROTECTED |
|----------------------------------|-----------------------|------------|------------------|
| System Control registers         | 0x00 7010 – 0x00 702F | 32         | Yes              |
| SPI-A registers                  | 0x00 7040 – 0x00 704F | 16         | No               |
| SCI-A registers                  | 0x00 7050 – 0x00 705F | 16         | No               |
| NMI Watchdog Interrupt registers | 0x00 7060 – 0x00 706F | 16         | Yes              |
| External Interrupt registers     | 0x00 7070 – 0x00 707F | 16         | Yes              |
| ADC registers                    | 0x00 7100 – 0x00 717F | 128        | (1)              |
| SPI-B registers                  | 0x00 7740 – 0x00 774F | 16         | No               |
| SCI-B registers                  | 0x00 7750 – 0x00 775F | 16         | No               |
| I2C-A registers                  | 0x00 7900 – 0x00 793F | 64         | (1)              |

(1) Some registers are EALLOW protected. See the module reference guide for more information.

**Table 6-9. Peripheral Frame 3 Registers**

| NAME                     | ADDRESS RANGE         | SIZE (x16) | EALLOW PROTECTED |
|--------------------------|-----------------------|------------|------------------|
| USB0 registers           | 0x00 4000 – 0x00 4FFF | 4096       | No               |
| McBSP-A registers        | 0x00 5000 – 0x00 503F | 64         | No               |
| Comparator 1 registers   | 0x00 6400 – 0x00 641F | 32         | (1)              |
| Comparator 2 registers   | 0x00 6420 – 0x00 643F | 32         | (1)              |
| Comparator 3 registers   | 0x00 6440 – 0x00 645F | 32         | (1)              |
| ePWM1 + HRPWM1 registers | 0x00 6800 – 0x00 683F | 64         | (1)              |
| ePWM2 + HRPWM2 registers | 0x00 6840 – 0x00 687F | 64         | (1)              |
| ePWM3 + HRPWM3 registers | 0x00 6880 – 0x00 68BF | 64         | (1)              |
| ePWM4 + HRPWM4 registers | 0x00 68C0 – 0x00 68FF | 64         | (1)              |
| ePWM5 + HRPWM5 registers | 0x00 6900 – 0x00 693F | 64         | (1)              |
| ePWM6 + HRPWM6 registers | 0x00 6940 – 0x00 697F | 64         | (1)              |
| ePWM7 + HRPWM7 registers | 0x00 6980 – 0x00 69BF | 64         | (1)              |
| ePWM8 + HRPWM8 registers | 0x00 69C0 – 0x00 69FF | 64         | (1)              |
| eCAP1 registers          | 0x00 6A00 – 0x00 6A1F | 32         | No               |
| eCAP2 registers          | 0x00 6A20 – 0x00 6A3F | 32         | No               |
| eCAP3 registers          | 0x00 6A40 – 0x00 6A57 | 32         | No               |
| eQEP1 registers          | 0x00 6B00 – 0x00 6B3F | 64         | (1)              |
| eQEP2 registers          | 0x00 6B40 – 0x00 6B7F | 64         | (1)              |

(1) Some registers are EALLOW protected. See the module reference guide for more information.

## 6.4 Device Emulation Registers

These registers are used to control the protection mode of the C28x CPU and to monitor some critical device signals. The registers are defined in [Table 6-10](#).

**Table 6-10. Device Emulation Registers**

| NAME                | ADDRESS RANGE | SIZE (x16) | DESCRIPTION                   | EALLOW PROTECTED    |        |    |
|---------------------|---------------|------------|-------------------------------|---------------------|--------|----|
| DEVICECNF           | 0x0880–0x0881 | 2          | Device Configuration Register | Yes                 |        |    |
| PARTID              | 0x3D 7E80     | 1          | Part ID Register              | TMS320F28069PZP/PZ  | 0x009E | No |
|                     |               |            |                               | TMS320F28069UPZP/PZ | 0x009F |    |
|                     |               |            |                               | TMS320F28069MPZP/PZ | 0x009E |    |
|                     |               |            |                               | TMS320F28069FPZP/PZ | 0x009E |    |
|                     |               |            |                               | TMS320F28069PFP/PN  | 0x009C |    |
|                     |               |            |                               | TMS320F28069UPFP/PN | 0x009D |    |
|                     |               |            |                               | TMS320F28069MPFP/PN | 0x009C |    |
|                     |               |            |                               | TMS320F28069FPFP/PN | 0x009C |    |
|                     |               |            |                               | TMS320F28068PZP/PZ  | 0x008E |    |
|                     |               |            |                               | TMS320F28068UPZP/PZ | 0x008F |    |
|                     |               |            |                               | TMS320F28068MPZP/PZ | 0x008E |    |
|                     |               |            |                               | TMS320F28068FPZP/PZ | 0x008E |    |
|                     |               |            |                               | TMS320F28068PFP/PN  | 0x008C |    |
|                     |               |            |                               | TMS320F28068UPFP/PN | 0x008D |    |
|                     |               |            |                               | TMS320F28068MPFP/PN | 0x008C |    |
|                     |               |            |                               | TMS320F28068FPFP/PN | 0x008C |    |
|                     |               |            |                               | TMS320F28067PZP/PZ  | 0x008A |    |
|                     |               |            |                               | TMS320F28067UPZP/PZ | 0x008B |    |
|                     |               |            |                               | TMS320F28067PFP/PN  | 0x0088 |    |
|                     |               |            |                               | TMS320F28067UPFP/PN | 0x0089 |    |
|                     |               |            |                               | TMS320F28066PZP/PZ  | 0x0086 |    |
|                     |               |            |                               | TMS320F28066UPZP/PZ | 0x0087 |    |
|                     |               |            |                               | TMS320F28066PFP/PN  | 0x0084 |    |
|                     |               |            |                               | TMS320F28066UPFP/PN | 0x0085 |    |
|                     |               |            |                               | TMS320F28065PZP/PZ  | 0x007E |    |
|                     |               |            |                               | TMS320F28065UPZP/PZ | 0x007F |    |
|                     |               |            |                               | TMS320F28065PFP/PN  | 0x007C |    |
|                     |               |            |                               | TMS320F28065UPFP/PN | 0x007D |    |
|                     |               |            |                               | TMS320F28064PZP/PZ  | 0x006E |    |
|                     |               |            |                               | TMS320F28064UPZP/PZ | 0x006F |    |
|                     |               |            |                               | TMS320F28064PFP/PN  | 0x006C |    |
|                     |               |            |                               | TMS320F28064UPFP/PN | 0x006D |    |
| TMS320F28063PZP/PZ  | 0x006A        |            |                               |                     |        |    |
| TMS320F28063UPZP/PZ | 0x006B        |            |                               |                     |        |    |
| TMS320F28063PFP/PN  | 0x0068        |            |                               |                     |        |    |
| TMS320F28063UPFP/PN | 0x0069        |            |                               |                     |        |    |
| TMS320F28062PZP/PZ  | 0x0066        |            |                               |                     |        |    |
| TMS320F28062UPZP/PZ | 0x0067        |            |                               |                     |        |    |
| TMS320F28062FPZP/PZ | 0x0066        |            |                               |                     |        |    |
| TMS320F28062PFP/PN  | 0x0064        |            |                               |                     |        |    |
| TMS320F28062UPFP/PN | 0x0065        |            |                               |                     |        |    |
| TMS320F28062FPFP/PN | 0x0064        |            |                               |                     |        |    |

**Table 6-10. Device Emulation Registers (continued)**

| NAME          | ADDRESS RANGE | SIZE (x16) | DESCRIPTION          |   |        | EALLOW PROTECTED |
|---------------|---------------|------------|----------------------|---|--------|------------------|
| CLASSID       | 0x0882        | 1          | Class ID Register    | TMS320F28069  | 0x009F | No               |
|               |               |            |                      | TMS320F28069U   | 0x009F |                  |
|               |               |            |                      | TMS320F28069M   | 0x009F |                  |
|               |               |            |                      | TMS320F28069F   | 0x009F |                  |
|               |               |            |                      | TMS320F28068  | 0x008F |                  |
|               |               |            |                      | TMS320F28068U   | 0x008F |                  |
|               |               |            |                      | TMS320F28068M   | 0x008F |                  |
|               |               |            |                      | TMS320F28068F   | 0x008F |                  |
|               |               |            |                      | TMS320F28067  | 0x008F |                  |
|               |               |            |                      | TMS320F28067U   | 0x008F |                  |
|               |               |            |                      | TMS320F28066  | 0x008F |                  |
|               |               |            |                      | TMS320F28066U   | 0x008F |                  |
|               |               |            |                      | TMS320F28065  | 0x007F |                  |
|               |               |            |                      | TMS320F28065U   | 0x007F |                  |
|               |               |            |                      | TMS320F28064  | 0x006F |                  |
|               |               |            |                      | TMS320F28064U   | 0x006F |                  |
|               |               |            |                      | TMS320F28063  | 0x006F |                  |
|               |               |            |                      | TMS320F28063U   | 0x006F |                  |
|               |               |            |                      | TMS320F28062  | 0x006F |                  |
| TMS320F28062U | 0x006F        |            |                      |   |        |                  |
| TMS320F28062F | 0x006F        |            |                      |   |        |                  |
| REVID         | 0x0883        | 1          | Revision ID Register | 0x0000 - Silicon Rev. 0 - TMX<br>0x0001 - Silicon Rev. A - TMS<br>0x0002 - Silicon Rev. B - TMS |        | No               |

## 6.5 VREG, BOR, POR

Although the core and I/O circuitry operate on two different voltages, these devices have an on-chip VREG to generate the  $V_{DD}$  voltage from the  $V_{DDIO}$  supply. This eliminates the cost and space of a second external regulator on an application board. Additionally, internal power-on reset (POR) and brown-out reset (BOR) circuits monitor both the  $V_{DD}$  and  $V_{DDIO}$  rails during power-up and run mode.

### 6.5.1 On-chip VREG

A linear regulator generates the core voltage ( $V_{DD}$ ) from the  $V_{DDIO}$  supply. Therefore, although capacitors are required on each  $V_{DD}$  pin to stabilize the generated voltage, power need not be supplied to these pins to operate the device. Conversely, the VREG can be disabled, should power or redundancy be the primary concern of the application.

#### 6.5.1.1 Using the On-chip VREG

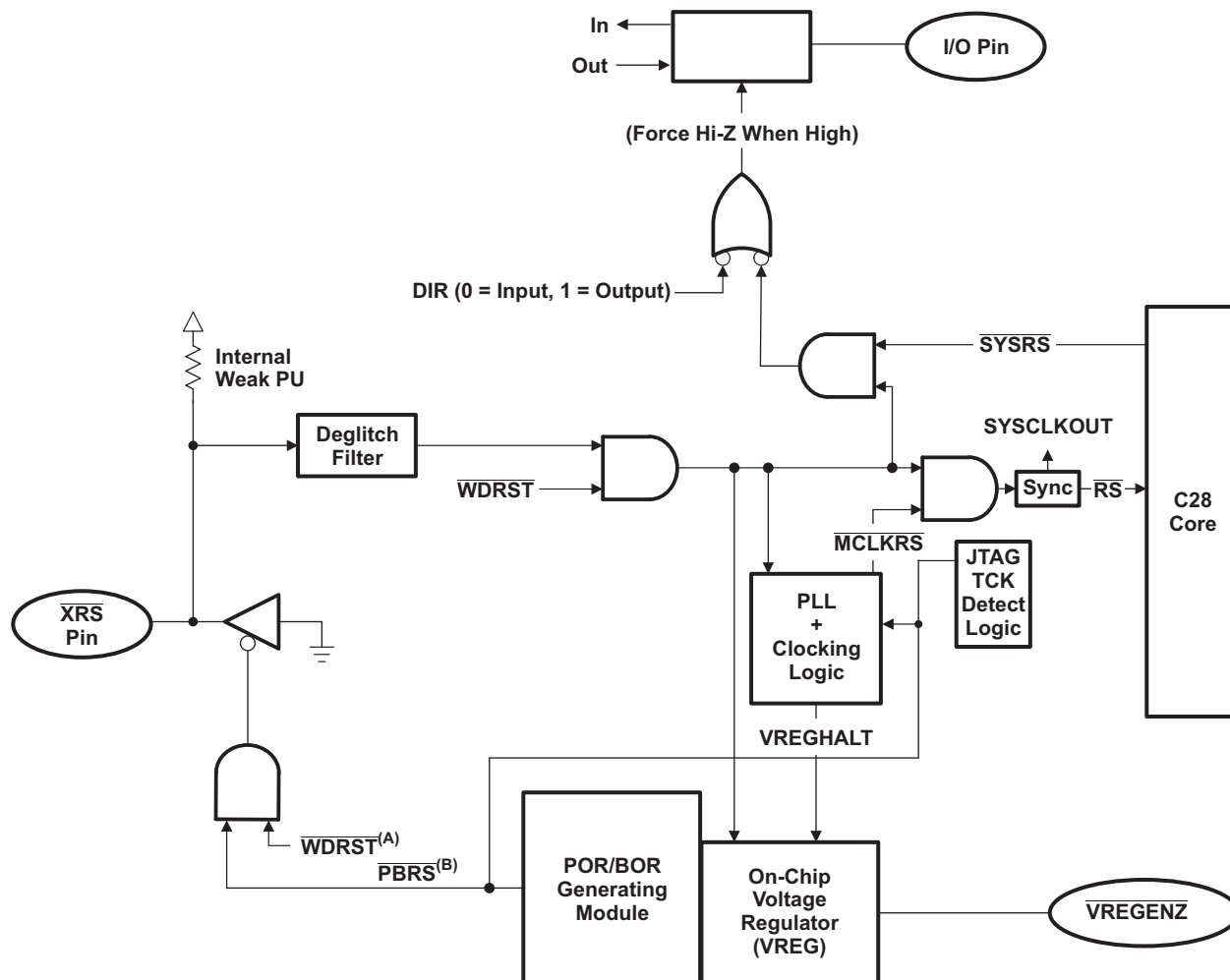
To use the on-chip VREG, the  $\overline{\text{VREGENZ}}$  pin should be tied low and the appropriate recommended operating voltage should be supplied to the  $V_{DDIO}$  and  $V_{DDA}$  pins. In this case, the  $V_{DD}$  voltage needed by the core logic will be generated by the VREG. Each  $V_{DD}$  pin requires on the order of 1.2  $\mu\text{F}$  (minimum) capacitance for proper regulation of the VREG. These capacitors should be located as close as possible to the  $V_{DD}$  pins.

#### 6.5.1.2 Disabling the On-chip VREG

To conserve power, it is also possible to disable the on-chip VREG and supply the core logic voltage to the  $V_{DD}$  pins with a more efficient external regulator. To enable this option, the  $\overline{\text{VREGENZ}}$  pin must be tied high.

### 6.5.2 On-chip Power-On Reset (POR) and Brown-Out Reset (BOR) Circuit

Two on-chip supervisory circuits, the power-on reset (POR) and the brown-out reset (BOR) remove the burden of monitoring the  $V_{DD}$  and  $V_{DDIO}$  supply rails from the application board. The purpose of the POR is to create a clean reset throughout the device during the entire power-up procedure. The trip point is a looser, lower trip point than the BOR, which watches for dips in the  $V_{DD}$  or  $V_{DDIO}$  rail during device operation. The POR function is present on both  $V_{DD}$  and  $V_{DDIO}$  rails at all times. After initial device power-up, the BOR function is present on  $V_{DDIO}$  at all times, and on  $V_{DD}$  when the internal VREG is enabled ( $\overline{\text{VREGENZ}}$  pin is tied low). Both functions tie the  $\overline{\text{XRS}}$  pin low when one of the voltages is below their respective trip point. Additionally, when the internal voltage regulator is enabled, an over-voltage protection circuit will tie  $\overline{\text{XRS}}$  low if the  $V_{DD}$  rail rises above its trip point. See [Section 5](#) for the various trip points as well as the delay time for the device to release the  $\overline{\text{XRS}}$  pin after the under-voltage or over-voltage condition is removed. [Figure 6-9](#) shows the VREG, POR, and BOR. To disable both the  $V_{DD}$  and  $V_{DDIO}$  BOR functions, a bit is provided in the BORCFG register. See the Systems Control and Interrupts chapter of the *TMS320x2806x Piccolo Technical Reference Manual* ([SPRUH18](#)) for details.



- A.  $\overline{WDRST}$  is the reset signal from the CPU-watchdog.
- B.  $\overline{PBR(S)}$  is the reset signal from the POR/BOR module.

Figure 6-9. VREG + POR + BOR + Reset Signal Connectivity

## 6.6 System Control

This section describes the oscillator and clocking mechanisms, the watchdog function and the low power modes.

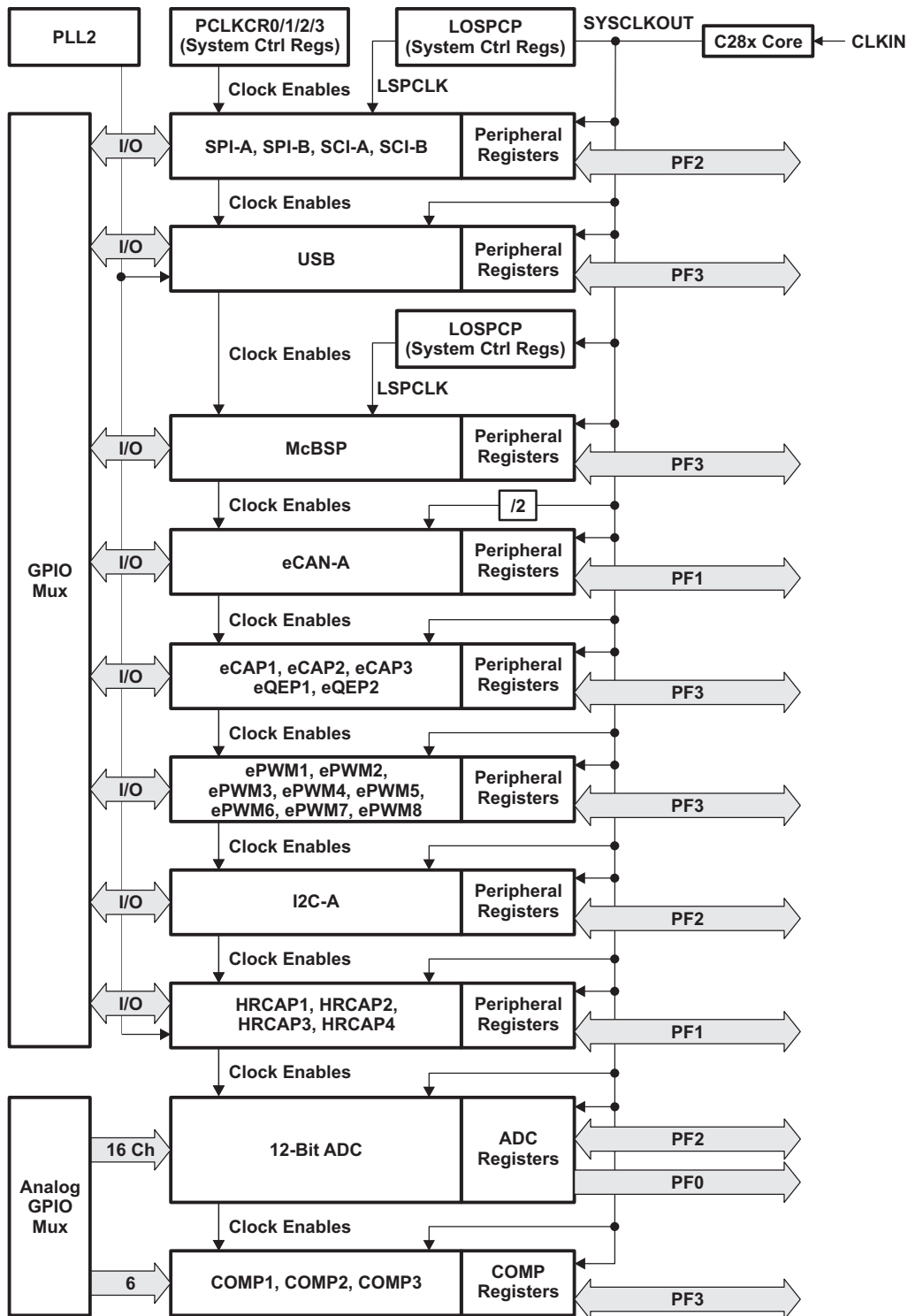
**Table 6-11. PLL, Clocking, Watchdog, and Low-Power Mode Registers**

| NAME        | ADDRESS   | SIZE (x16) | DESCRIPTION <sup>(1)</sup>                    |
|-------------|-----------|------------|---|
| BORCFG      | 0x00 0985 | 1          | BOR Configuration Register                    |
| XCLK        | 0x00 7010 | 1          | XCLKOUT Control                               |
| PLLSTS      | 0x00 7011 | 1          | PLL Status Register                           |
| CLKCTL      | 0x00 7012 | 1          | Clock Control Register                        |
| PLLLOCKPRD  | 0x00 7013 | 1          | PLL Lock Period                               |
| INTOSC1TRIM | 0x00 7014 | 1          | Internal Oscillator 1 Trim Register           |
| INTOSC2TRIM | 0x00 7016 | 1          | Internal Oscillator 2 Trim Register           |
| PCLKCR2     | 0x00 7019 | 1          | Peripheral Clock Control Register 2           |
| LOSPCP      | 0x00 701B | 1          | Low-Speed Peripheral Clock Prescaler Register |
| PCLKCR0     | 0x00 701C | 1          | Peripheral Clock Control Register 0           |
| PCLKCR1     | 0x00 701D | 1          | Peripheral Clock Control Register 1           |
| LPMCR0      | 0x00 701E | 1          | Low Power Mode Control Register 0             |
| PCLKCR3     | 0x00 7020 | 1          | Peripheral Clock Control Register 3           |
| PLLCR       | 0x00 7021 | 1          | PLL Control Register                          |
| SCSR        | 0x00 7022 | 1          | System Control and Status Register            |
| WDCNTR      | 0x00 7023 | 1          | Watchdog Counter Register                     |
| WDKEY       | 0x00 7025 | 1          | Watchdog Reset Key Register                   |
| WDCR        | 0x00 7029 | 1          | Watchdog Control Register                     |
| JTAGDEBUG   | 0x00 702A | 1          | JTAG Port Debug Register                      |
| PLL2CTL     | 0x00 7030 | 1          | PLL2 Configuration Register                   |
| PLL2MULT    | 0x00 7032 | 1          | PLL2 Multiplier Register                      |
| PLL2STS     | 0x00 7034 | 1          | PLL2 Lock Status Register                     |
| SYSCLK2CNTR | 0x00 7036 | 1          | SYSCLK2 Clock Counter Register                |
| EPWMCFG     | 0x00 703A | 1          | ePWM DMA/CLA Configuration Register           |

(1) All registers in this table are EALLOW protected.

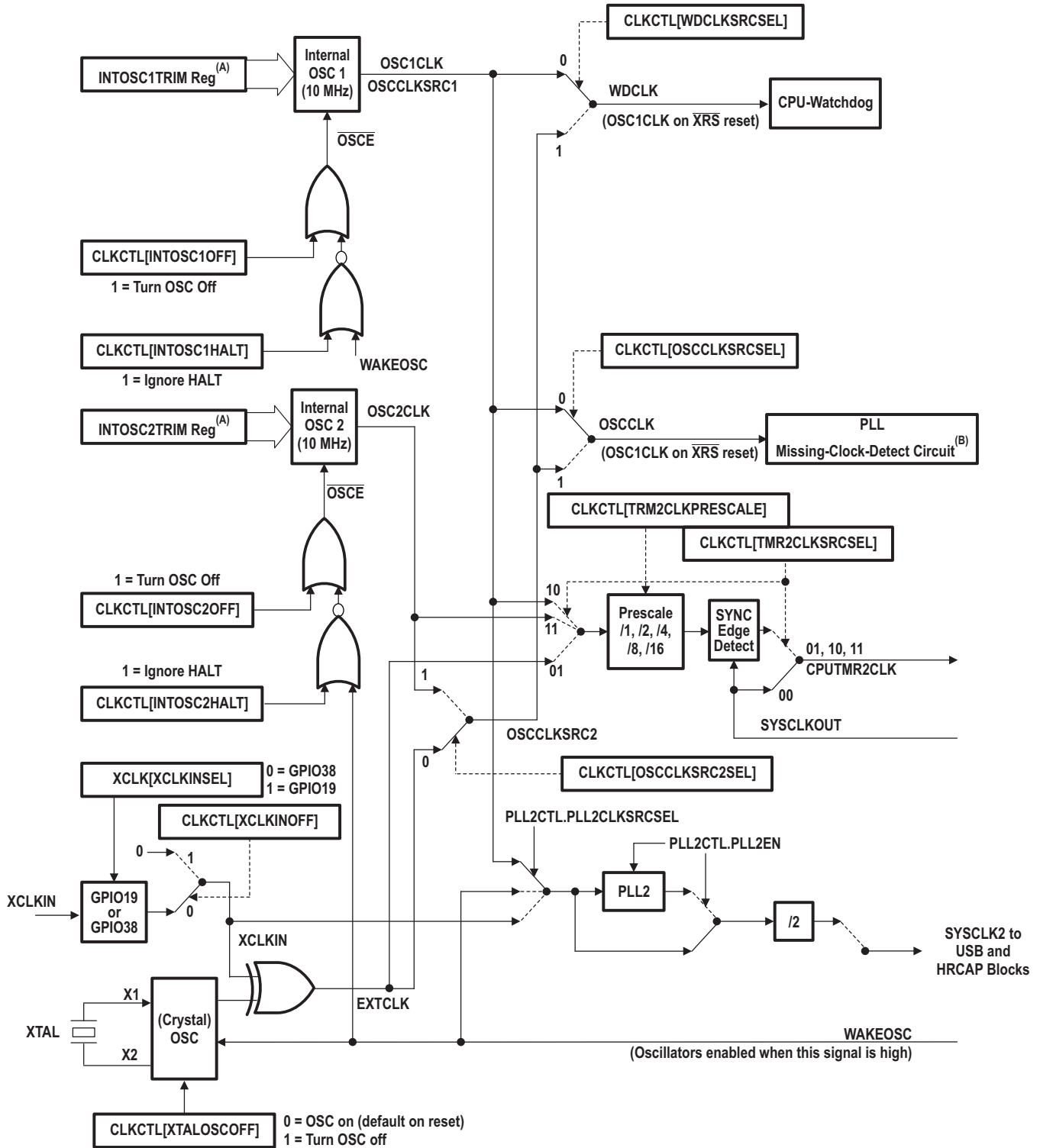


Figure 6-10 shows the various clock domains that are discussed. Figure 6-11 shows the various clock sources (both internal and external) that can provide a clock for device operation.



A. CLKIN is the clock into the CPU. CLKIN is passed out of the CPU as SYSCLKOUT (that is, CLKIN is the same frequency as SYSCLKOUT).

Figure 6-10. Clock and Reset Domains



- A. Register loaded from TI OTP-based calibration function.
- B. See Section 6.6.5 for details on missing clock detection.

Figure 6-11. Clock Tree

### 6.6.1 Internal Zero Pin Oscillators

The F2806x devices contain two independent internal zero pin oscillators. By default both oscillators are turned on at power up, and internal oscillator 1 is the default clock source at this time. For power savings, unused oscillators may be powered down by the user. The center frequency of these oscillators is determined by their respective oscillator trim registers, written to in the calibration routine as part of the boot ROM execution. See [Section 6.9](#) for more information on these oscillators.

### 6.6.2 Crystal Oscillator Option

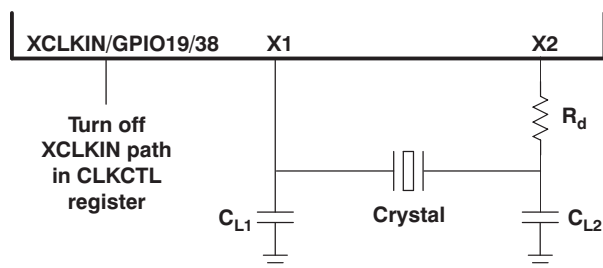
The on-chip crystal oscillator X1 and X2 pins are 1.8-V level signals and must never have 3.3-V level signals applied to them. If a system 3.3-V external oscillator is to be used as a clock source, it should be connected to the XCLKIN pin only. The X1 pin is not intended to be used as a single-ended clock input, it should be used with X2 and a crystal.

The typical specifications for the external quartz crystal (fundamental mode, parallel resonant) are listed in [Table 6-12](#). Furthermore, ESR range = 30 to 150 Ω.

**Table 6-12. Typical Specifications for External Quartz Crystal<sup>(1)</sup>**

| FREQUENCY (MHz) | R <sub>d</sub> (Ω) | C <sub>L1</sub> (pF) | C <sub>L2</sub> (pF) |
|-----------------|--------------------|----------------------|----------------------|
| 5               | 2200               | 18                   | 18                   |
| 10              | 470                | 15                   | 15                   |
| 15              | 0                  | 15                   | 15                   |
| 20              | 0                  | 12                   | 12                   |

(1) C<sub>shunt</sub> should be less than or equal to 5 pF.



**Figure 6-12. Using the On-chip Crystal Oscillator**

#### NOTE

1. C<sub>L1</sub> and C<sub>L2</sub> are the total capacitance of the circuit board and components excluding the IC and crystal. The value is usually approximately twice the value of the load capacitance of the crystal.
2. The load capacitance of the crystal is described in the crystal specifications of the manufacturers.
3. TI recommends that customers have the resonator/crystal vendor characterize the operation of their device with the MCU chip. The resonator/crystal vendor has the equipment and expertise to tune the tank circuit. The vendor can also advise the customer regarding the proper tank component values that will produce proper start up and stability over the entire operating range.

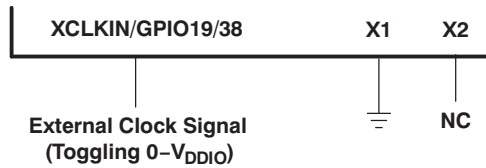


Figure 6-13. Using a 3.3-V External Oscillator

### 6.6.3 PLL-Based Clock Module

The devices have an on-chip, PLL-based clock module. This module provides all the necessary clocking signals for the device, as well as control for low-power mode entry. The PLL has a 5-bit ratio control PLLCR[DIV] to select different CPU clock rates. The watchdog module should be disabled before writing to the PLLCR register. The watchdog module can be re-enabled (if need be) after the PLL module has stabilized, which takes 1 ms. The input clock and PLLCR[DIV] bits should be chosen in such a way that the output frequency of the PLL (VCOCLK) is at least 50 MHz.

Table 6-13. PLL Settings

| PLLCR[DIV] VALUE <sup>(1) (2)</sup> | SYSCLKOUT (CLKIN)                      |                    |                    |
|-------------------------------------|--|--------------------|--------------------|
|                                     | PLLSTS[DIVSEL] = 0 or 1 <sup>(3)</sup> | PLLSTS[DIVSEL] = 2 | PLLSTS[DIVSEL] = 3 |
| 00000 (PLL bypass)                  | OSCCLK/4 (Default) <sup>(1)</sup>      | OSCCLK/2           | OSCCLK             |
| 00001                               | (OSCCLK * 1)/4                         | (OSCCLK * 1)/2     | (OSCCLK * 1)/1     |
| 00010                               | (OSCCLK * 2)/4                         | (OSCCLK * 2)/2     | (OSCCLK * 2)/1     |
| 00011                               | (OSCCLK * 3)/4                         | (OSCCLK * 3)/2     | (OSCCLK * 3)/1     |
| 00100                               | (OSCCLK * 4)/4                         | (OSCCLK * 4)/2     | (OSCCLK * 4)/1     |
| 00101                               | (OSCCLK * 5)/4                         | (OSCCLK * 5)/2     | (OSCCLK * 5)/1     |
| 00110                               | (OSCCLK * 6)/4                         | (OSCCLK * 6)/2     | (OSCCLK * 6)/1     |
| 00111                               | (OSCCLK * 7)/4                         | (OSCCLK * 7)/2     | (OSCCLK * 7)/1     |
| 01000                               | (OSCCLK * 8)/4                         | (OSCCLK * 8)/2     | (OSCCLK * 8)/1     |
| 01001                               | (OSCCLK * 9)/4                         | (OSCCLK * 9)/2     | (OSCCLK * 9)/1     |
| 01010                               | (OSCCLK * 10)/4                        | (OSCCLK * 10)/2    | (OSCCLK * 10)/1    |
| 01011                               | (OSCCLK * 11)/4                        | (OSCCLK * 11)/2    | (OSCCLK * 11)/1    |
| 01100                               | (OSCCLK * 12)/4                        | (OSCCLK * 12)/2    | (OSCCLK * 12)/1    |
| 01101                               | (OSCCLK * 13)/4                        | (OSCCLK * 13)/2    | (OSCCLK * 13)/1    |
| 01110                               | (OSCCLK * 14)/4                        | (OSCCLK * 14)/2    | (OSCCLK * 14)/1    |
| 01111                               | (OSCCLK * 15)/4                        | (OSCCLK * 15)/2    | (OSCCLK * 15)/1    |
| 10000                               | (OSCCLK * 16)/4                        | (OSCCLK * 16)/2    | (OSCCLK * 16)/1    |
| 10001                               | (OSCCLK * 17)/4                        | (OSCCLK * 17)/2    | (OSCCLK * 17)/1    |
| 10010                               | (OSCCLK * 18)/4                        | (OSCCLK * 18)/2    | (OSCCLK * 18)/1    |

- (1) The PLL control register (PLLCR) and PLL Status Register (PLLSTS) are reset to their default state by the  $\overline{XRS}$  signal or a watchdog reset only. A reset issued by the debugger or the missing clock detect logic has no effect.
- (2) This register is EALLOW protected. See the Systems Control and Interrupts chapter of the *TMS320x2806x Piccolo Technical Reference Manual (SPRUH18)* for more information.
- (3) By default, PLLSTS[DIVSEL] is configured for /4. (The boot ROM changes this to /1.) PLLSTS[DIVSEL] must be 0 before writing to the PLLCR and should be changed only after PLLSTS[PLLLOCKS] = 1.

Table 6-14. CLKIN Divide Options

| PLLSTS [DIVSEL] | CLKIN DIVIDE |
|-----------------|--------------|
| 0               | /4           |
| 1               | /4           |
| 2               | /2           |
| 3               | /1           |

The PLL-based clock module provides four modes of operation:

- **INTOSC1 (Internal Zero-pin Oscillator 1):** This is the on-chip internal oscillator 1. This can provide the clock for the Watchdog block, core and CPU-Timer 2
- **INTOSC2 (Internal Zero-pin Oscillator 2):** This is the on-chip internal oscillator 2. This can provide the clock for the Watchdog block, core and CPU-Timer 2. Both INTOSC1 and INTOSC2 can be independently chosen for the Watchdog block, core and CPU-Timer 2.
- **Crystal/Resonator Operation:** The on-chip (crystal) oscillator enables the use of an external crystal/resonator attached to the device to provide the time base. The crystal/resonator is connected to the X1/X2 pins. Some devices may not have the X1/X2 pins. See [Table 4-1](#) for details.
- **External Clock Source Operation:** If the on-chip (crystal) oscillator is not used, this mode allows it to be bypassed. The device clocks are generated from an external clock source input on the XCLKIN pin. Note that the XCLKIN is multiplexed with GPIO19 or GPIO38 pin. The XCLKIN input can be selected as GPIO19 or GPIO38 through the XCLKINSEL bit in XCLK register. The CLKCTL[XCLKINOFF] bit disables this clock input (forced low). If the clock source is not used or the respective pins are used as GPIOs, the user should disable at boot time.

Before changing clock sources, ensure that the target clock is present. If a clock is not present, then that clock source must be disabled (using the CLKCTL register) before switching clocks.

**Table 6-15. Possible PLL Configuration Modes**

| PLL MODE   | REMARKS  | PLLSTS[DIVSEL] | CLKIN AND SYSCLKOUT                          |
|------------|--|----------------|--|
| PLL Off    | Invoked by the user setting the PLLOFF bit in the PLLSTS register. The PLL block is disabled in this mode. This can be useful to reduce system noise and for low power operation. The PLLCR register must first be set to 0x0000 (PLL Bypass) before entering this mode. The CPU clock (CLKIN) is derived directly from the input clock on either X1/X2, X1 or XCLKIN. | 0, 1<br>2<br>3 | OSCCLK/4<br>OSCCLK/2<br>OSCCLK/1             |
| PLL Bypass | PLL Bypass is the default PLL configuration upon power-up or after an external reset ( $\overline{XRS}$ ). This mode is selected when the PLLCR register is set to 0x0000 or while the PLL locks to a new frequency after the PLLCR register has been modified. In this mode, the PLL itself is bypassed but the PLL is not turned off.                                | 0, 1<br>2<br>3 | OSCCLK/4<br>OSCCLK/2<br>OSCCLK/1             |
| PLL Enable | Achieved by writing a non-zero value n into the PLLCR register. Upon writing to the PLLCR the device will switch to PLL Bypass mode until the PLL locks.   | 0, 1<br>2<br>3 | OSCCLK * n/4<br>OSCCLK * n/2<br>OSCCLK * n/1 |

#### 6.6.4 USB and HRCAP PLL Module (PLL2)

In addition to the main system PLL, these devices also contain a second PLL (PLL2) which can be used to clock the USB and HRCAP peripherals. The PLL supports multipliers of 1 to 15 and has a fixed divide-by-two on its output.

PLL2 may be clocked from the following three sources by modifying the PLL2CLKSRCSEL bits appropriately in the PLL2CTL register:

- INTOSC1 (Internal Zero-pin Oscillator 1): This is the on-chip internal oscillator 1 and provides a 10-MHz clock. If used as a clock source for HRCAP, the oscillator compensation routine should be called frequently. Because of accuracy requirements, INTOSC1 cannot be used as a clock source for the USB.
- Crystal/Resonator Operation: The (crystal) oscillator enables the use of an external crystal or resonator attached to the device to provide the time base. The crystal or resonator is connected to the X1/X2 pins.
- External Clock Source Operation: This mode allows the reference clock to be derived from an external single-ended clock source connected to either GPIO19 or GPIO38. The XCLKINSEL bit in the XCLK register should be set appropriately to enable the selected GPIO to drive XCLKIN.

---

#### NOTE

For proper operation of the USB module, PLL2 should be configured to generate a 120-MHz clock. This will be divided by two to yield the desired 60 MHz for the USB peripheral.

HRCAP supports a maximum clock input frequency of 120 MHz.

---

### 6.6.5 Loss of Input Clock (NMI Watchdog Function)

The 2806x devices may be clocked from either one of the internal zero-pin oscillators (INTOSC1/INTOSC2), the on-chip crystal oscillator, or from an external clock input. Regardless of the clock source, in PLL-enabled and PLL-bypass mode, if the input clock to the PLL vanishes, the PLL will issue a limp-mode clock at its output. This limp-mode clock continues to clock the CPU and peripherals at a typical frequency of 1–5 MHz.

When the limp mode is activated, a  $\overline{\text{CLOCKFAIL}}$  signal is generated that is latched as an NMI interrupt. Depending on how the NMIRESETSEL bit has been configured, a reset to the device can be fired immediately or the NMI watchdog counter can issue a reset when it overflows. In addition to this, the Missing Clock Status (MCLKSTS) bit is set. The NMI interrupt could be used by the application to detect the input clock failure and initiate necessary corrective action such as switching over to an alternative clock source (if available) or initiate a shut-down procedure for the system.

If the software does not respond to the clock-fail condition, the NMI watchdog triggers a reset after a preprogrammed time interval. Figure 6-14 shows the interrupt mechanisms involved.

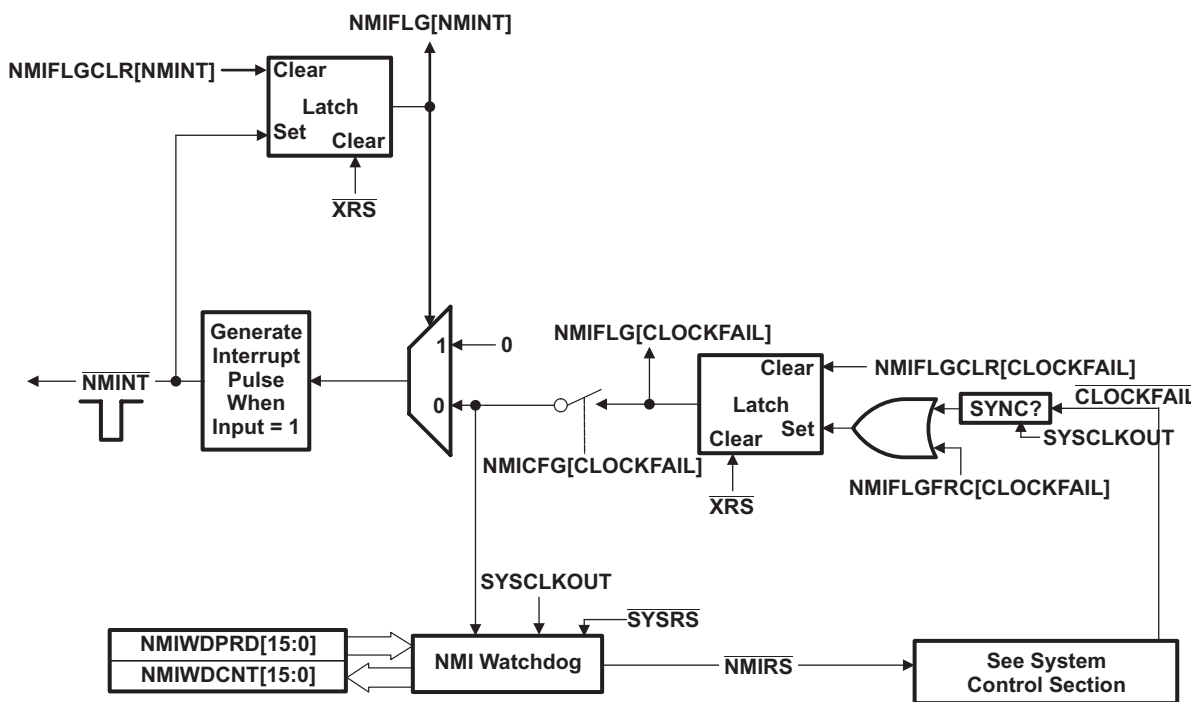


Figure 6-14. NMI-Watchdog

### 6.6.6 CPU-Watchdog Module

The CPU-watchdog module on the 2806x device is similar to the one used on the 281x/280x/283xx devices. This module generates an output pulse, 512 oscillator clocks wide (OSCCLK), whenever the 8-bit watchdog up counter has reached its maximum value. To prevent this, the user must disable the counter or the software must periodically write a 0x55 + 0xAA sequence into the watchdog key register that resets the watchdog counter. Figure 6-15 shows the various functional blocks within the watchdog module.

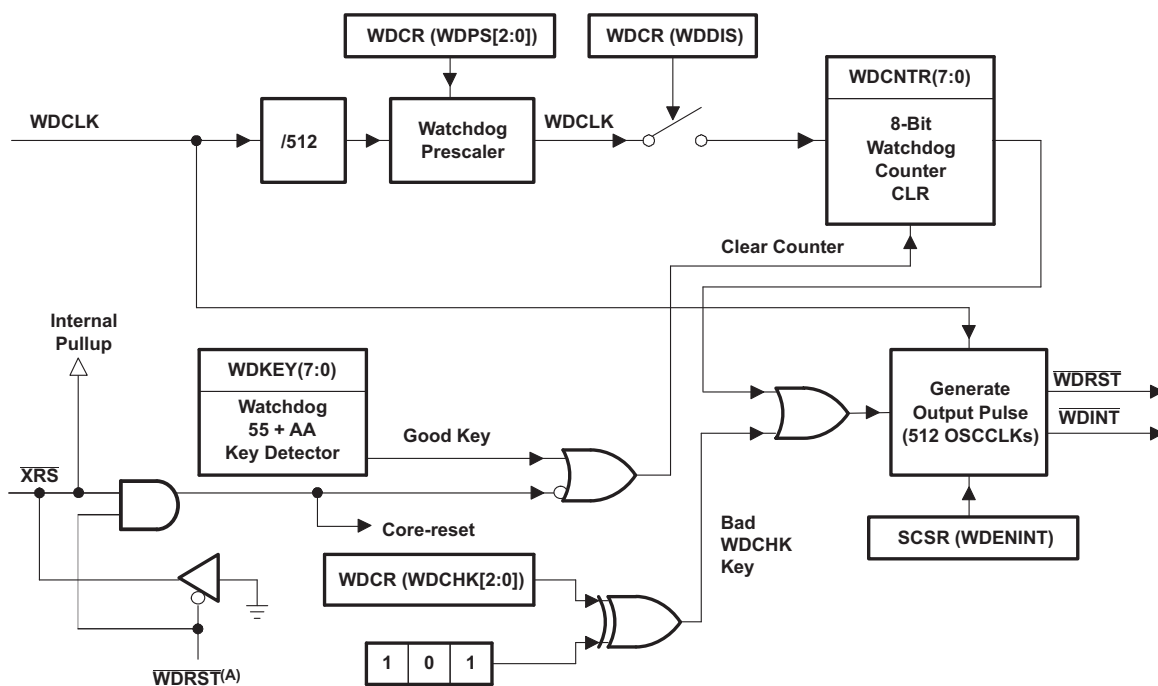
Normally, when the input clocks are present, the CPU-watchdog counter decrements to initiate a CPU-watchdog reset or WDINT interrupt. However, when the external input clock fails, the CPU-watchdog counter stops decrementing (that is, the watchdog counter does not change with the limp-mode clock).

**NOTE**

The CPU-watchdog is different from the NMI watchdog. The CPU-watchdog is the legacy watchdog that is present in all 28x devices.

**NOTE**

Applications in which the correct CPU operating frequency is absolutely critical should implement a mechanism by which the MCU will be held in reset, should the input clocks ever fail. For example, an R-C circuit may be used to trigger the  $\overline{\text{XRS}}$  pin of the MCU, should the capacitor ever get fully charged. An I/O pin may be used to discharge the capacitor on a periodic basis to prevent it from getting fully charged. Such a circuit would also help in detecting failure of the flash memory.



A. The  $\overline{\text{WDRST}}$  signal is driven low for 512 OSCCLK cycles.

**Figure 6-15. CPU-Watchdog Module**

The  $\overline{\text{WDINT}}$  signal enables the watchdog to be used as a wakeup from IDLE/STANDBY mode.

In STANDBY mode, all peripherals are turned off on the device. The only peripheral that remains functional is the CPU-watchdog. This module will run off OSCCLK. The  $\overline{\text{WDINT}}$  signal is fed to the LPM block so that it can wake the device from STANDBY (if enabled). See Section 6.7 for more details.

In IDLE mode, the  $\overline{\text{WDINT}}$  signal can generate an interrupt to the CPU, through the PIE, to take the CPU out of IDLE mode.

In HALT mode, the CPU-watchdog can be used to wake up the device through a device reset.



## 6.7 Low-power Modes Block

Table 6-16 summarizes the various modes.

**Table 6-16. Low-power Modes**

| MODE                | LPMCR0(1:0) | OSCCLK   | CLKIN | SYSCLKOUT | EXIT <sup>(1)</sup>  |
|---------------------|-------------|--|-------|-----------|--|
| IDLE                | 00          | On   | On    | On        | $\overline{XRS}$ , CPU-watchdog interrupt, any enabled interrupt                       |
| STANDBY             | 01          | On<br>(CPU-watchdog still running)   | Off   | Off       | $\overline{XRS}$ , CPU-watchdog interrupt, GPIO Port A signal, debugger <sup>(2)</sup> |
| HALT <sup>(3)</sup> | 1X          | Off<br>(on-chip crystal oscillator and PLL turned off, zero-pin oscillator and CPU-watchdog state dependent on user code.) | Off   | Off       | $\overline{XRS}$ , GPIO Port A signal, debugger <sup>(2)</sup> , CPU-watchdog          |

- (1) The Exit column lists which signals or under what conditions the low power mode is exited. A low signal, on any of the signals, exits the low power condition. This signal must be kept low long enough for an interrupt to be recognized by the device. Otherwise, the low-power mode will not be exited and the device will go back into the indicated low power mode.
- (2) The JTAG port can still function even if the CPU clock (CLKIN) is turned off.
- (3) The WDCLK must be active for the device to go into HALT mode.

The various low-power modes operate as follows:

- IDLE Mode:** This mode is exited by any enabled interrupt that is recognized by the processor. The LPM block performs no tasks during this mode as long as the LPMCR0(LPM) bits are set to 0,0.
- STANDBY Mode:** Any GPIO port A signal (GPIO[31:0]) can wake the device from STANDBY mode. The user must select which signals will wake the device in the GPIOLPMSEL register. The selected signals are also qualified by the OSCCLK before waking the device. The number of OSCCLKs is specified in the LPMCR0 register.
- HALT Mode:** CPU-watchdog,  $\overline{XRS}$ , and any GPIO port A signal (GPIO[31:0]) can wake the device from HALT mode. The user selects the signal in the GPIOLPMSEL register.

### NOTE

The low-power modes do not affect the state of the output pins (PWM pins included). They will be in whatever state the code left them in when the IDLE instruction was executed. See the Systems Control and Interrupts chapter of the *TMS320x2806x Piccolo Technical Reference Manual (SPRUH18)* for more details.

## 6.8 Interrupts

Figure 6-16 shows how the various interrupt sources are multiplexed.

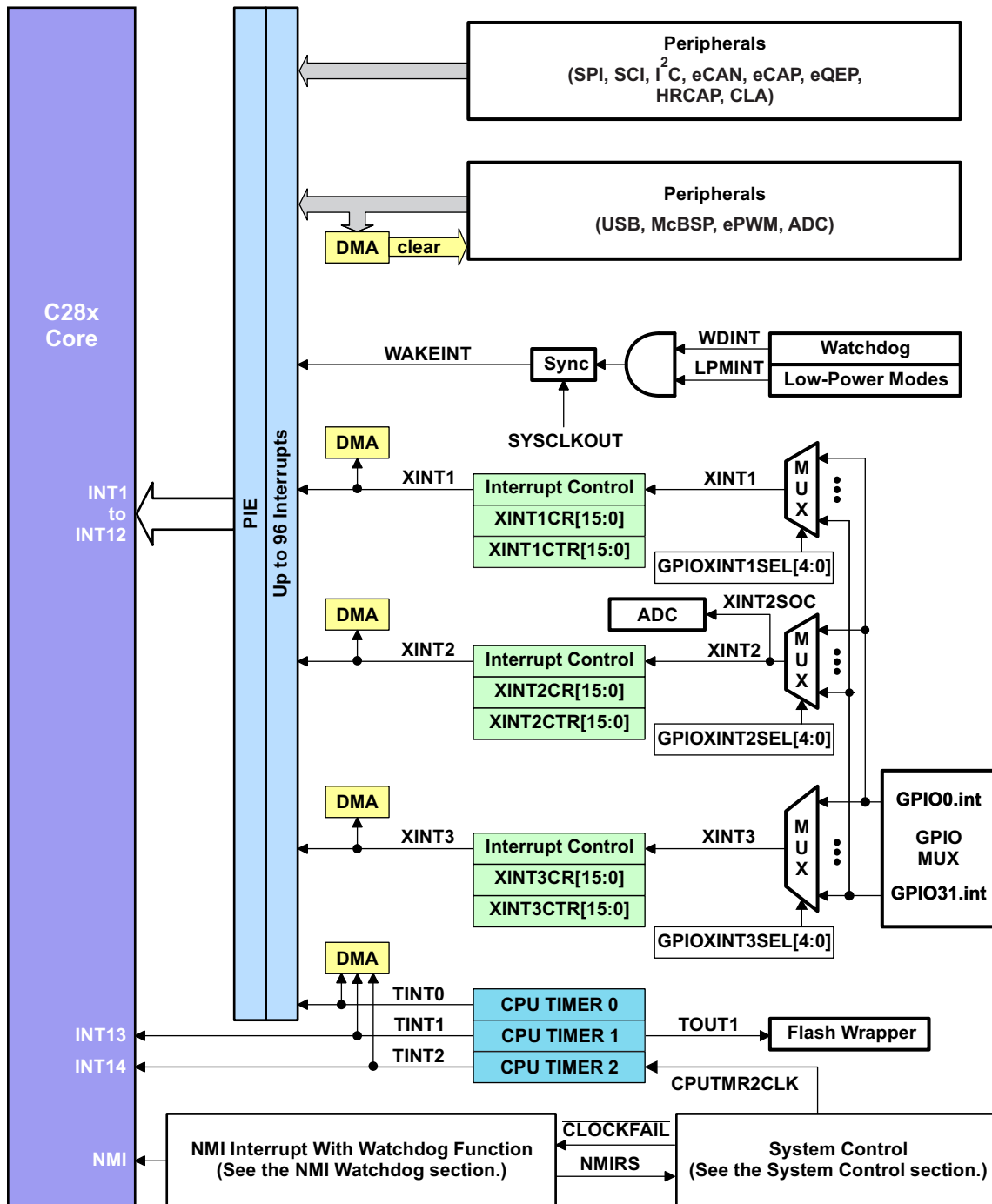


Figure 6-16. External and PIE Interrupt Sources

Eight PIE block interrupts are grouped into one CPU interrupt. In total, 12 CPU interrupt groups, with 8 interrupts per group equals 96 possible interrupts. Table 6-17 shows the interrupts used by 2806x devices.

The TRAP #VectorNumber instruction transfers program control to the interrupt service routine corresponding to the vector specified. TRAP #0 attempts to transfer program control to the address pointed to by the reset vector. The PIE vector table does not, however, include a reset vector. Therefore, TRAP #0 should not be used when the PIE is enabled. Doing so will result in undefined behavior.

When the PIE is enabled, TRAP #1 through TRAP #12 will transfer program control to the interrupt service routine corresponding to the first vector within the PIE group. For example: TRAP #1 fetches the vector from INT1.1, TRAP #2 fetches the vector from INT2.1, and so forth.

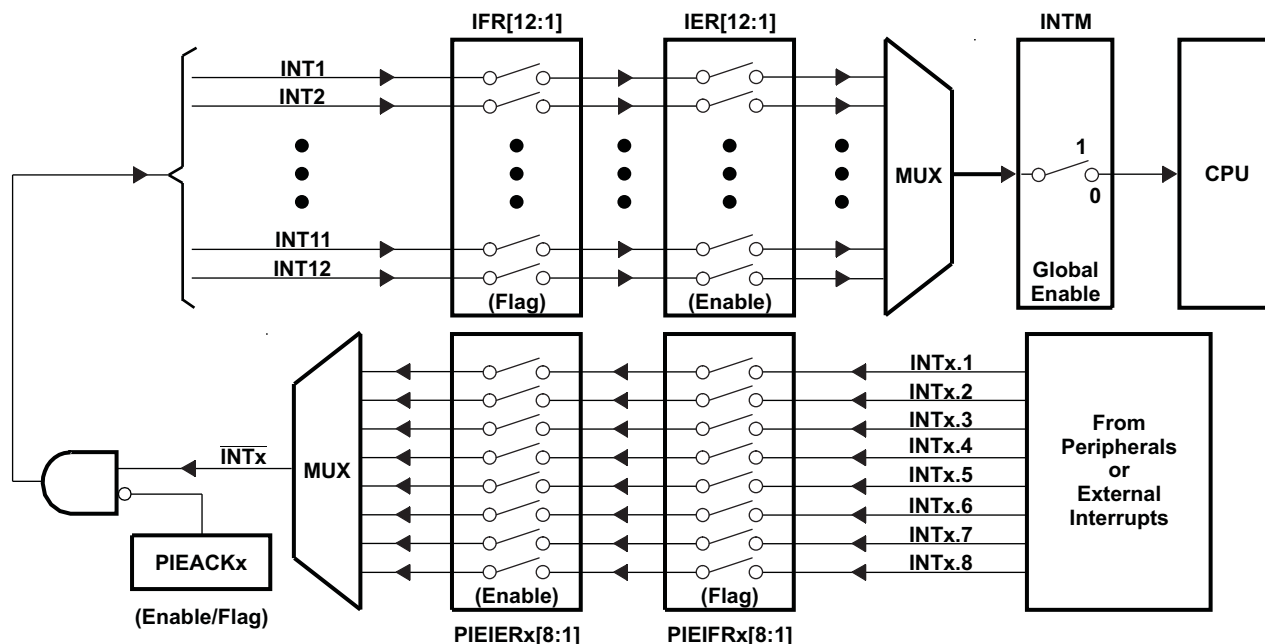


Figure 6-17. Multiplexing of Interrupts Using the PIE Block

**Table 6-17. PIE MUXed Peripheral Interrupt Vector Table<sup>(1)</sup>**

|         | INTx.8                          | INTx.7                          | INTx.6                          | INTx.5                          | INTx.4                          | INTx.3                          | INTx.2                          | INTx.1                          |
|---------|---------------------------------|---------------------------------|---------------------------------|---------------------------------|---------------------------------|---------------------------------|---------------------------------|---------------------------------|
| INT1.y  | WAKEINT<br>(LPMWWD)<br>0xD4E    | TINT0<br>(TIMER 0)<br>0xD4C     | ADCINT9<br>(ADC)<br>0xD4A       | XINT2<br>Ext. int. 2<br>0xD48   | XINT1<br>Ext. int. 1<br>0xD46   | Reserved<br>–<br>0xD44          | ADCINT2<br>(ADC)<br>0xD42       | ADCINT1<br>(ADC)<br>0xD40       |
| INT2.y  | EPWM8_TZINT<br>(ePWM8)<br>0xD5E | EPWM7_TZINT<br>(ePWM7)<br>0xD5C | EPWM6_TZINT<br>(ePWM6)<br>0xD5A | EPWM5_TZINT<br>(ePWM5)<br>0xD58 | EPWM4_TZINT<br>(ePWM4)<br>0xD56 | EPWM3_TZINT<br>(ePWM3)<br>0xD54 | EPWM2_TZINT<br>(ePWM2)<br>0xD52 | EPWM1_TZINT<br>(ePWM1)<br>0xD50 |
| INT3.y  | EPWM8_INT<br>(ePWM8)<br>0xD6E   | EPWM7_INT<br>(ePWM7)<br>0xD6C   | EPWM6_INT<br>(ePWM6)<br>0xD6A   | EPWM5_INT<br>(ePWM5)<br>0xD68   | EPWM4_INT<br>(ePWM4)<br>0xD66   | EPWM3_INT<br>(ePWM3)<br>0xD64   | EPWM2_INT<br>(ePWM2)<br>0xD62   | EPWM1_INT<br>(ePWM1)<br>0xD60   |
| INT4.y  | HRCAP2_INT<br>(HRCAP2)<br>0xD7E | HRCAP1_INT<br>(HRCAP1)<br>0xD7C | Reserved<br>–<br>0xD7A          | Reserved<br>–<br>0xD78          | Reserved<br>–<br>0xD76          | ECAP3_INT<br>(eCAP3)<br>0xD74   | ECAP2_INT<br>(eCAP2)<br>0xD72   | ECAP1_INT<br>(eCAP1)<br>0xD70   |
| INT5.y  | USB0_INT<br>(USB0)<br>0xD8E     | Reserved<br>–<br>0xD8C          | Reserved<br>–<br>0xD8A          | HRCAP4_INT<br>(HRCAP4)<br>0xD88 | HRCAP3_INT<br>(HRCAP3)<br>0xD86 | Reserved<br>–<br>0xD84          | EQEP2_INT<br>(eQEP2)<br>0xD82   | EQEP1_INT<br>(eQEP1)<br>0xD80   |
| INT6.y  | Reserved<br>–<br>0xD9E          | Reserved<br>–<br>0xD9C          | MXINTA<br>(McBSP-A)<br>0xD9A    | MRINTA<br>(McBSP-A)<br>0xD98    | SPITXINTB<br>(SPI-B)<br>0xD96   | SPIRXINTB<br>(SPI-B)<br>0xD94   | SPITXINTA<br>(SPI-A)<br>0xD92   | SPIRXINTA<br>(SPI-A)<br>0xD90   |
| INT7.y  | Reserved<br>–<br>0xDAE          | Reserved<br>–<br>0xDAC          | DINTCH6<br>(DMA)<br>0xDAA       | DINTCH5<br>(DMA)<br>0xDA8       | DINTCH4<br>(DMA)<br>0xDA6       | DINTCH3<br>(DMA)<br>0xDA4       | DINTCH2<br>(DMA)<br>0xDA2       | DINTCH1<br>(DMA)<br>0xDA0       |
| INT8.y  | Reserved<br>–<br>0xDBE          | Reserved<br>–<br>0xDBC          | Reserved<br>–<br>0xDBA          | Reserved<br>–<br>0xDB8          | Reserved<br>–<br>0xDB6          | Reserved<br>–<br>0xDB4          | I2CINT2A<br>(I2C-A)<br>0xDB2    | I2CINT1A<br>(I2C-A)<br>0xDB0    |
| INT9.y  | Reserved<br>–<br>0xDCE          | Reserved<br>–<br>0xDCC          | ECAN1_INTA<br>(CAN-A)<br>0xDCA  | ECAN0_INTA<br>(CAN-A)<br>0xDC8  | SCITXINTB<br>(SCI-B)<br>0xDC6   | SCIRXINTB<br>(SCI-B)<br>0xDC4   | SCITXINTA<br>(SCI-A)<br>0xDC2   | SCIRXINTA<br>(SCI-A)<br>0xDC0   |
| INT10.y | ADCINT8<br>(ADC)<br>0xDDE       | ADCINT7<br>(ADC)<br>0xDDC       | ADCINT6<br>(ADC)<br>0xDDA       | ADCINT5<br>(ADC)<br>0xDD8       | ADCINT4<br>(ADC)<br>0xDD6       | ADCINT3<br>(ADC)<br>0xDD4       | ADCINT2<br>(ADC)<br>0xDD2       | ADCINT1<br>(ADC)<br>0xDD0       |
| INT11.y | CLA1_INT8<br>(CLA)<br>0xDEE     | CLA1_INT7<br>(CLA)<br>0xDEC     | CLA1_INT6<br>(CLA)<br>0xDEA     | CLA1_INT5<br>(CLA)<br>0xDE8     | CLA1_INT4<br>(CLA)<br>0xDE6     | CLA1_INT3<br>(CLA)<br>0xDE4     | CLA1_INT2<br>(CLA)<br>0xDE2     | CLA1_INT1<br>(CLA)<br>0xDE0     |
| INT12.y | LUF<br>(CLA)<br>0xDFE           | LVF<br>(CLA)<br>0xDFC           | Reserved<br>–<br>0xDFA          | Reserved<br>–<br>0xDF8          | Reserved<br>–<br>0xDF6          | Reserved<br>–<br>0xDF4          | Reserved<br>–<br>0xDF2          | XINT3<br>Ext. Int. 3<br>0xDF0   |

(1) Out of 96 possible interrupts, some interrupts are not used. These interrupts are reserved for future devices. These interrupts can be used as software interrupts if they are enabled at the PIEIFRx level, provided none of the interrupts within the group is being used by a peripheral. Otherwise, interrupts coming in from peripherals may be lost by accidentally clearing their flag while modifying the PIEIFR. To summarize, there are two safe cases when the reserved interrupts could be used as software interrupts:

- No peripheral within the group is asserting interrupts.
- No peripheral interrupts are assigned to the group (for example, PIE group 7).

**Table 6-18. PIE Configuration and Control Registers**

| NAME     | ADDRESS            | SIZE (x16) | DESCRIPTION <sup>(1)</sup>       |
|----------|--------------------|------------|----------------------------------|
| PIECTRL  | 0x0CE0             | 1          | PIE, Control Register            |
| PIEACK   | 0x0CE1             | 1          | PIE, Acknowledge Register        |
| PIEIER1  | 0x0CE2             | 1          | PIE, INT1 Group Enable Register  |
| PIEIFR1  | 0x0CE3             | 1          | PIE, INT1 Group Flag Register    |
| PIEIER2  | 0x0CE4             | 1          | PIE, INT2 Group Enable Register  |
| PIEIFR2  | 0x0CE5             | 1          | PIE, INT2 Group Flag Register    |
| PIEIER3  | 0x0CE6             | 1          | PIE, INT3 Group Enable Register  |
| PIEIFR3  | 0x0CE7             | 1          | PIE, INT3 Group Flag Register    |
| PIEIER4  | 0x0CE8             | 1          | PIE, INT4 Group Enable Register  |
| PIEIFR4  | 0x0CE9             | 1          | PIE, INT4 Group Flag Register    |
| PIEIER5  | 0x0CEA             | 1          | PIE, INT5 Group Enable Register  |
| PIEIFR5  | 0x0CEB             | 1          | PIE, INT5 Group Flag Register    |
| PIEIER6  | 0x0CEC             | 1          | PIE, INT6 Group Enable Register  |
| PIEIFR6  | 0x0CED             | 1          | PIE, INT6 Group Flag Register    |
| PIEIER7  | 0x0CEE             | 1          | PIE, INT7 Group Enable Register  |
| PIEIFR7  | 0x0CEF             | 1          | PIE, INT7 Group Flag Register    |
| PIEIER8  | 0x0CF0             | 1          | PIE, INT8 Group Enable Register  |
| PIEIFR8  | 0x0CF1             | 1          | PIE, INT8 Group Flag Register    |
| PIEIER9  | 0x0CF2             | 1          | PIE, INT9 Group Enable Register  |
| PIEIFR9  | 0x0CF3             | 1          | PIE, INT9 Group Flag Register    |
| PIEIER10 | 0x0CF4             | 1          | PIE, INT10 Group Enable Register |
| PIEIFR10 | 0x0CF5             | 1          | PIE, INT10 Group Flag Register   |
| PIEIER11 | 0x0CF6             | 1          | PIE, INT11 Group Enable Register |
| PIEIFR11 | 0x0CF7             | 1          | PIE, INT11 Group Flag Register   |
| PIEIER12 | 0x0CF8             | 1          | PIE, INT12 Group Enable Register |
| PIEIFR12 | 0x0CF9             | 1          | PIE, INT12 Group Flag Register   |
| Reserved | 0x0CFA –<br>0x0CFF | 6          | Reserved                         |

(1) The PIE configuration and control registers are not protected by EALLOW mode. The PIE vector table is protected.

## 6.8.1 External Interrupts

**Table 6-19. External Interrupt Registers**

| NAME     | ADDRESS   | SIZE (x16) | DESCRIPTION                  |
|----------|-----------|------------|------------------------------|
| XINT1CR  | 0x00 7070 | 1          | XINT1 configuration register |
| XINT2CR  | 0x00 7071 | 1          | XINT2 configuration register |
| XINT3CR  | 0x00 7072 | 1          | XINT3 configuration register |
| XINT1CTR | 0x00 7078 | 1          | XINT1 counter register       |
| XINT2CTR | 0x00 7079 | 1          | XINT2 counter register       |
| XINT3CTR | 0x00 707A | 1          | XINT3 counter register       |

Each external interrupt can be enabled or disabled or qualified using positive, negative, or both positive and negative edge. For more information, see the Systems Control and Interrupts chapter of the *TMS320x2806x Piccolo Technical Reference Manual* (SPRUH18).

### 6.8.1.1 External Interrupt Electrical Data/Timing

**Table 6-20. External Interrupt Timing Requirements<sup>(1)</sup>**

|                             |                                    | MIN            | MAX | UNIT                        |        |
|-----------------------------|------------------------------------|----------------|-----|-----------------------------|--------|
| $t_{w(INT)}$ <sup>(2)</sup> | Pulse duration, INT input low/high | Synchronous    |     | $1t_{c(SCO)}$               | cycles |
|                             |                                    | With qualifier |     | $1t_{c(SCO)} + t_{w(IQSW)}$ | cycles |

(1) For an explanation of the input qualifier parameters, see [Table 6-76](#).

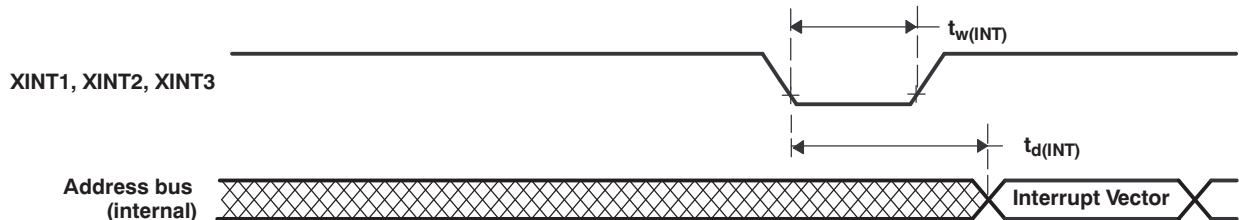
(2) This timing is applicable to any GPIO pin configured for ADCSOC functionality.

**Table 6-21. External Interrupt Switching Characteristics<sup>(1)</sup>**

over recommended operating conditions (unless otherwise noted)

| PARAMETER    | MIN  | MAX | UNIT                         |        |
|--------------|--|-----|------------------------------|--------|
| $t_{d(INT)}$ | Delay time, INT low/high to interrupt-vector fetch |     | $t_{w(IQSW)} + 12t_{c(SCO)}$ | cycles |

(1) For an explanation of the input qualifier parameters, see [Table 6-76](#).



**Figure 6-18. External Interrupt Timing**

## 6.9 Peripherals

### 6.9.1 Control Law Accelerator (CLA) Overview

The control law accelerator extends the capabilities of the C28x CPU by adding parallel processing. Time-critical control loops serviced by the CLA can achieve low ADC sample to output delay. Thus, the CLA enables faster system response and higher frequency control loops. Using the CLA for time-critical tasks frees up the main CPU to perform other system and communication functions concurrently. The following is a list of major features of the CLA.

- Clocked at the same rate as the main CPU (SYSCLKOUT).
- An independent architecture allowing CLA algorithm execution independent of the main C28x CPU.
  - Complete bus architecture:
    - Program address bus and program data bus
    - Data address bus, data read bus, and data write bus
  - Independent eight-stage pipeline.
  - 12-bit program counter (MPC)
  - Four 32-bit result registers (MR0–MR3)
  - Two 16-bit auxiliary registers (MAR0, MAR1)
  - Status register (MSTF)
- Instruction set includes:
  - IEEE single-precision (32-bit) floating-point math operations
  - Floating-point math with parallel load or store
  - Floating-point multiply with parallel add or subtract
  - 1/X and 1/sqrt(X) estimations
  - Data type conversions.
  - Conditional branch and call
  - Data load and store operations
- The CLA program code can consist of up to eight tasks or interrupt service routines.
  - The start address of each task is specified by the MVECT registers.
  - No limit on task size as long as the tasks fit within the CLA program memory space.
  - One task is serviced at a time through to completion. There is no nesting of tasks.
  - Upon task completion, a task-specific interrupt is flagged within the PIE.
  - When a task finishes, the next highest-priority pending task is automatically started.
- Task trigger mechanisms:
  - C28x CPU through the IACK instruction
  - Task1 to Task7: the corresponding ADC, ePWM, eQEP, or eCAP module interrupt. For example:
    - Task1: ADCINT1 or EPWM1\_INT
    - Task2: ADCINT2 or EPWM2\_INT
    - Task4: ADCINT4 or EPWM4\_INT or EQEPx\_INT or ECAPx\_INT
    - Task7: ADCINT7 or EPWM7\_INT or EQEPx\_INT or ECAPx\_INT
  - Task8: ADCINT8 or by CPU Timer 0 or EQEPx\_INT or ECAPx\_INT.
- Memory and Shared Peripherals:
  - Two dedicated message RAMs for communication between the CLA and the main CPU.
  - The C28x CPU can map CLA program and data memory to the main CPU space or CLA space.
  - The CLA has direct access to the ADC Result registers, comparator registers, and the eCAP, eQEP, and ePWM+HRPWM registers.

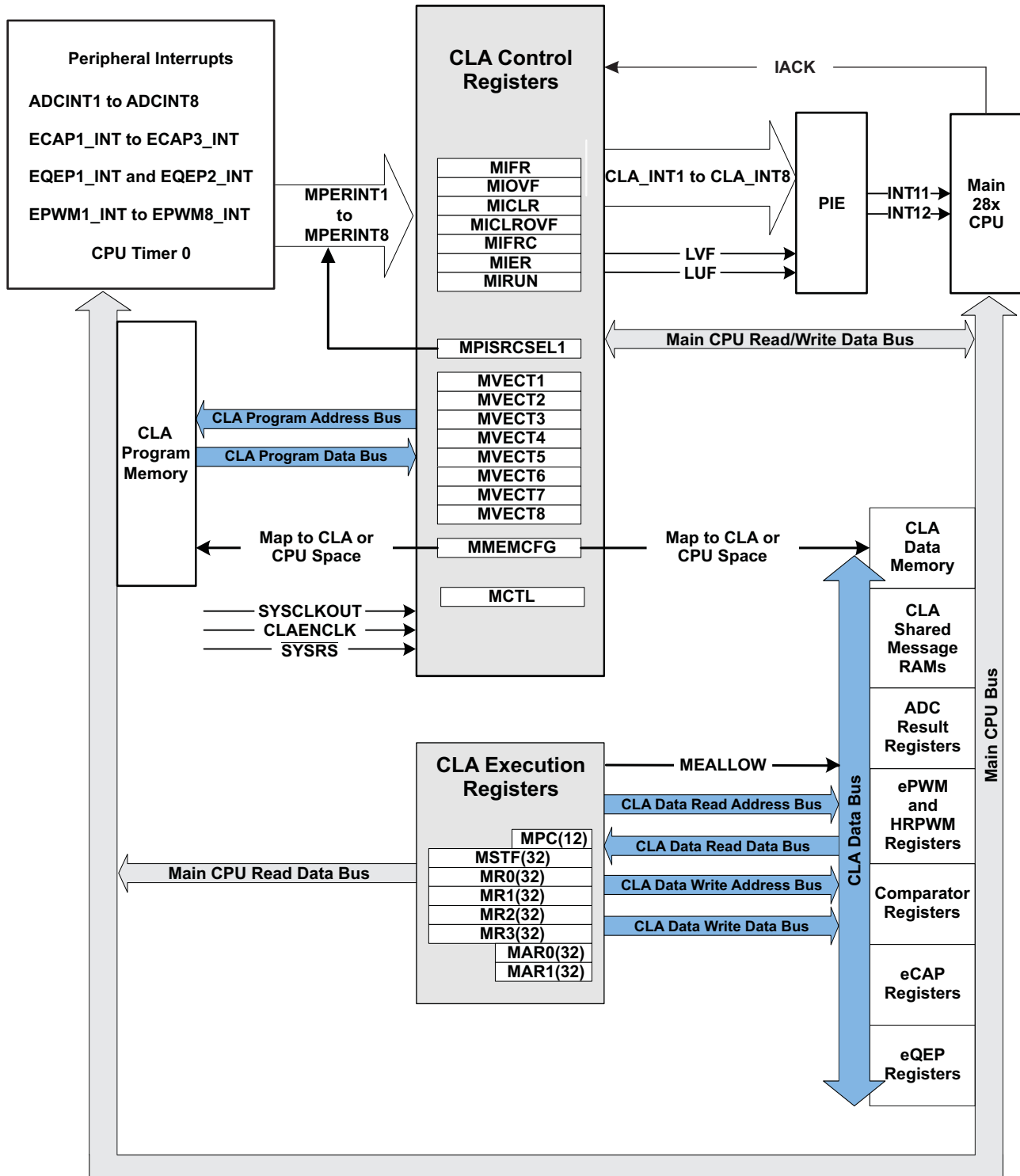


Figure 6-19. CLA Block Diagram



**Table 6-22. CLA Control Registers**

| REGISTER NAME       | CLA1 ADDRESS | SIZE (x16) | EALLOW PROTECTED | DESCRIPTION <sup>(1)</sup>                    |
|---------------------|--------------|------------|------------------|---|
| MVECT1              | 0x1400       | 1          | Yes              | CLA Interrupt/Task 1 Start Address            |
| MVECT2              | 0x1401       | 1          | Yes              | CLA Interrupt/Task 2 Start Address            |
| MVECT3              | 0x1402       | 1          | Yes              | CLA Interrupt/Task 3 Start Address            |
| MVECT4              | 0x1403       | 1          | Yes              | CLA Interrupt/Task 4 Start Address            |
| MVECT5              | 0x1404       | 1          | Yes              | CLA Interrupt/Task 5 Start Address            |
| MVECT6              | 0x1405       | 1          | Yes              | CLA Interrupt/Task 6 Start Address            |
| MVECT7              | 0x1406       | 1          | Yes              | CLA Interrupt/Task 7 Start Address            |
| MVECT8              | 0x1407       | 1          | Yes              | CLA Interrupt/Task 8 Start Address            |
| MCTL                | 0x1410       | 1          | Yes              | CLA Control Register                          |
| MMEMCFG             | 0x1411       | 1          | Yes              | CLA Memory Configure Register                 |
| MPISRCSEL1          | 0x1414       | 2          | Yes              | Peripheral Interrupt Source Select Register 1 |
| MIFR                | 0x1420       | 1          | Yes              | Interrupt Flag Register                       |
| MIOVF               | 0x1421       | 1          | Yes              | Interrupt Overflow Register                   |
| MIFRC               | 0x1422       | 1          | Yes              | Interrupt Force Register                      |
| MICLR               | 0x1423       | 1          | Yes              | Interrupt Clear Register                      |
| MICLROVF            | 0x1424       | 1          | Yes              | Interrupt Overflow Clear Register             |
| MIER                | 0x1425       | 1          | Yes              | Interrupt Enable Register                     |
| MIRUN               | 0x1426       | 1          | Yes              | Interrupt RUN Register                        |
| MIPCTL              | 0x1427       | 1          | Yes              | Interrupt Priority Control Register           |
| MPC <sup>(2)</sup>  | 0x1428       | 1          | –                | CLA Program Counter                           |
| MAR0 <sup>(2)</sup> | 0x142A       | 1          | –                | CLA Aux Register 0                            |
| MAR1 <sup>(2)</sup> | 0x142B       | 1          | –                | CLA Aux Register 1                            |
| MSTF <sup>(2)</sup> | 0x142E       | 2          | –                | CLA STF Register                              |
| MR0 <sup>(2)</sup>  | 0x1430       | 2          | –                | CLA R0H Register                              |
| MR1 <sup>(2)</sup>  | 0x1434       | 2          | –                | CLA R1H Register                              |
| MR2 <sup>(2)</sup>  | 0x1438       | 2          | –                | CLA R2H Register                              |
| MR3 <sup>(2)</sup>  | 0x143C       | 2          | –                | CLA R3H Register                              |

(1) All registers in this table are CSM protected

(2) The main C28x CPU has read only access to this register for debug purposes. The main CPU cannot perform CPU or debugger writes to this register.

**Table 6-23. CLA Message RAM**

| ADDRESS RANGE   | SIZE (x16) | DESCRIPTION            |
|-----------------|------------|------------------------|
| 0x1480 – 0x14FF | 128        | CLA to CPU Message RAM |
| 0x1500 – 0x157F | 128        | CPU to CLA Message RAM |

## 6.9.2 Analog Block

A 12-bit ADC core is implemented that has different timings than the 12-bit ADC used on the F280x and F2833x devices. The ADC wrapper is modified to incorporate the new timings and also other enhancements to improve the timing control of start of conversions. Figure 6-20 shows the interaction of the analog module with the rest of the F2806x system.

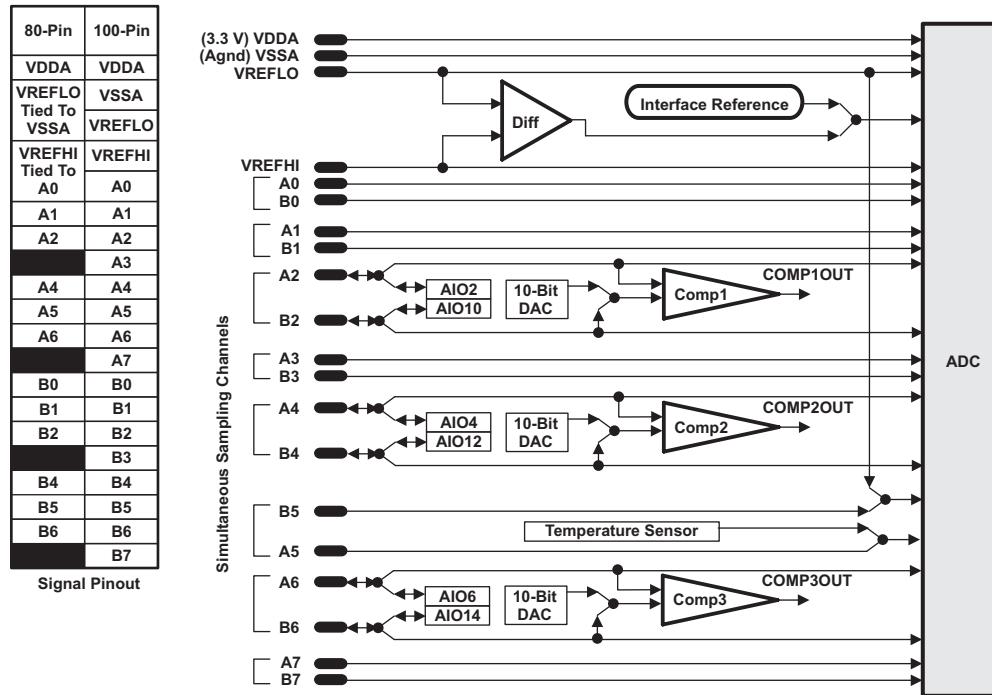


Figure 6-20. Analog Pin Configurations

## 6.9.2.1 Analog-to-Digital Converter (ADC)

### 6.9.2.1.1 Features

The core of the ADC contains a single 12-bit converter fed by two sample-and-hold circuits. The sample-and-hold circuits can be sampled simultaneously or sequentially. These, in turn, are fed by a total of up to 16 analog input channels. The converter can be configured to run with an internal bandgap reference to create true-voltage based conversions or with a pair of external voltage references ( $V_{REFHI}/V_{REFLO}$ ) to create ratiometric-based conversions.

Contrary to previous ADC types, this ADC is not sequencer-based. The user can easily create a series of conversions from a single trigger. However, the basic principle of operation is centered around the configurations of individual conversions, called SOCs, or Start-Of-Conversions.

Functions of the ADC module include:

- 12-bit ADC core with built-in dual sample-and-hold (S/H)
- Simultaneous sampling or sequential sampling modes
- Full range analog input: 0 V to 3.3 V fixed, or  $V_{REFHI}/V_{REFLO}$  ratiometric. The digital value of the input analog voltage is derived by:

- Internal Reference ( $V_{REFLO} = V_{SSA}$ .  $V_{REFHI}$  must not exceed  $V_{DDA}$  when using either internal or external reference modes.)

$$\text{Digital Value} = 0, \quad \text{when input} \leq 0 \text{ V}$$

$$\text{Digital Value} = 4096 \times \frac{\text{Input Analog Voltage} - V_{REFLO}}{3.3} \quad \text{when } 0 \text{ V} < \text{input} < 3.3 \text{ V}$$

$$\text{Digital Value} = 4095, \quad \text{when input} \geq 3.3 \text{ V}$$

- External Reference ( $V_{REFHI}/V_{REFLO}$  connected to external references.  $V_{REFHI}$  must not exceed  $V_{DDA}$  when using either internal or external reference modes.)

$$\text{Digital Value} = 0, \quad \text{when input} \leq 0 \text{ V}$$

$$\text{Digital Value} = 4096 \times \frac{\text{Input Analog Voltage} - V_{REFLO}}{V_{REFHI} - V_{REFLO}} \quad \text{when } 0 \text{ V} < \text{input} < V_{REFHI}$$

$$\text{Digital Value} = 4095, \quad \text{when input} \geq V_{REFHI}$$

- Up to 16-channel, multiplexed inputs
- 16 SOCs, configurable for trigger, sample window, and channel
- 16 result registers (individually addressable) to store conversion values
- Multiple trigger sources
  - S/W – software immediate start
  - ePWM 1–8
  - GPIO XINT2
  - CPU Timer 0, CPU Timer 1, CPU Timer 2
  - ADCINT1, ADCINT2
- 9 flexible PIE interrupts, can configure interrupt request after any conversion

**Table 6-24. ADC Configuration and Control Registers**

| REGISTER NAME             | ADDRESS         | SIZE (x16) | EALLOW PROTECTED | DESCRIPTION  |
|---------------------------|-----------------|------------|------------------|--|
| ADCCTL1                   | 0x7100          | 1          | Yes              | Control 1 Register   |
| ADCCTL2                   | 0x7101          | 1          | Yes              | Control 2 Register   |
| ADCINTFLG                 | 0x7104          | 1          | No               | Interrupt Flag Register  |
| ADCINTFLGCLR              | 0x7105          | 1          | No               | Interrupt Flag Clear Register                                    |
| ADCINTOVF                 | 0x7106          | 1          | No               | Interrupt Overflow Register                                      |
| ADCINTOVFCLR              | 0x7107          | 1          | No               | Interrupt Overflow Clear Register                                |
| INTSEL1N2                 | 0x7108          | 1          | Yes              | Interrupt 1 and 2 Selection Register                             |
| INTSEL3N4                 | 0x7109          | 1          | Yes              | Interrupt 3 and 4 Selection Register                             |
| INTSEL5N6                 | 0x710A          | 1          | Yes              | Interrupt 5 and 6 Selection Register                             |
| INTSEL7N8                 | 0x710B          | 1          | Yes              | Interrupt 7 and 8 Selection Register                             |
| INTSEL9N10                | 0x710C          | 1          | Yes              | Interrupt 9 Selection Register (reserved Interrupt 10 Selection) |
| SOCPRCTL                  | 0x7110          | 1          | Yes              | SOC Priority Control Register                                    |
| ADCSAMPLEMODE             | 0x7112          | 1          | Yes              | Sampling Mode Register   |
| ADCINTSOCSEL1             | 0x7114          | 1          | Yes              | Interrupt SOC Selection 1 Register (for 8 channels)              |
| ADCINTSOCSEL2             | 0x7115          | 1          | Yes              | Interrupt SOC Selection 2 Register (for 8 channels)              |
| ADCSOCFLG1                | 0x7118          | 1          | No               | SOC Flag 1 Register (for 16 channels)                            |
| ADCSOCFRC1                | 0x711A          | 1          | No               | SOC Force 1 Register (for 16 channels)                           |
| ADCSOCOVF1                | 0x711C          | 1          | No               | SOC Overflow 1 Register (for 16 channels)                        |
| ADCSOCOVFCLR1             | 0x711E          | 1          | No               | SOC Overflow Clear 1 Register (for 16 channels)                  |
| ADCSOC0CTL to ADCSOC15CTL | 0x7120 – 0x712F | 1          | Yes              | SOC0 Control Register to SOC15 Control Register                  |
| ADCREFTTRIM               | 0x7140          | 1          | Yes              | Reference Trim Register  |
| ADCOFFTRIM                | 0x7141          | 1          | Yes              | Offset Trim Register   |
| COMPHYSTCTL               | 0x714C          | 1          | Yes              | Comparator Hysteresis Control Register                           |
| ADCREV                    | 0x714F          | 1          | No               | Revision Register  |

**Table 6-25. ADC Result Registers (Mapped to PF0)**

| REGISTER NAME             | ADDRESS       | SIZE (x16) | EALLOW PROTECTED | DESCRIPTION                                     |
|---------------------------|---------------|------------|------------------|---|
| ADCRESULT0 to ADCRESULT15 | 0xB00 – 0xB0F | 1          | No               | ADC Result 0 Register to ADC Result 15 Register |

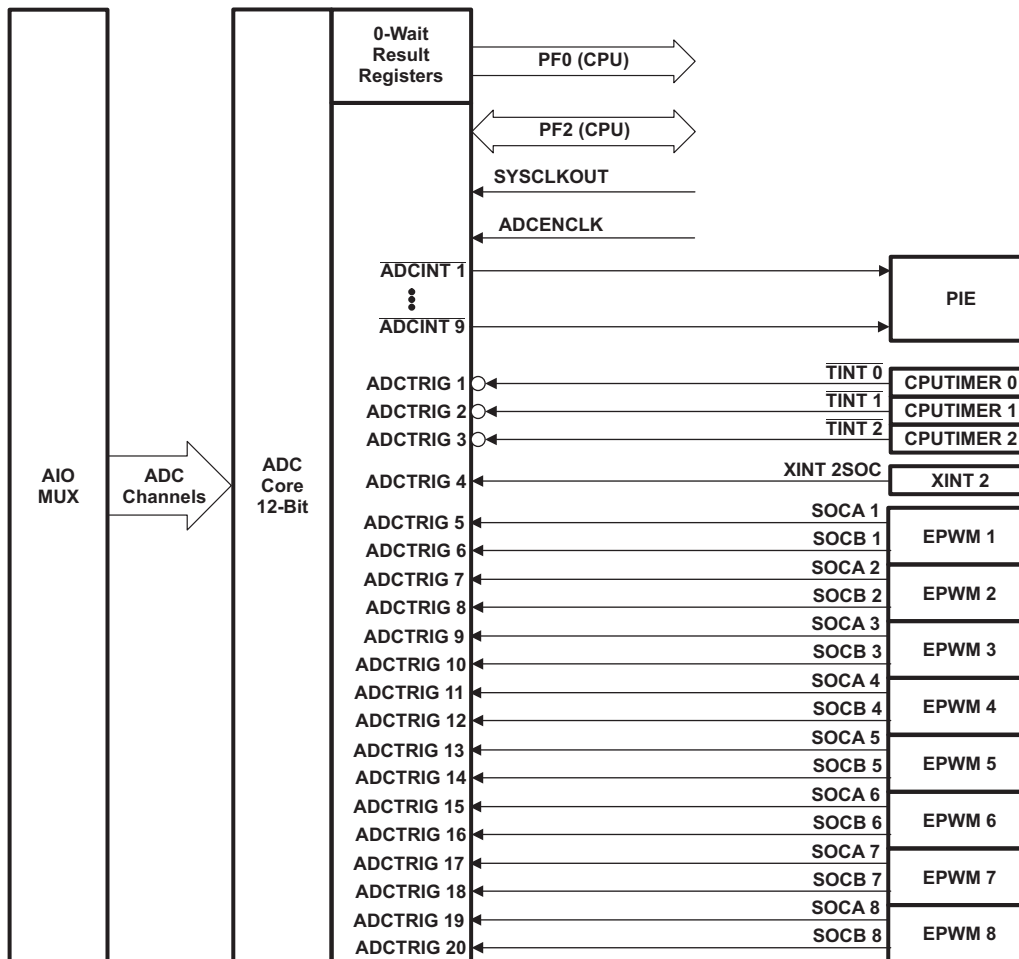


Figure 6-21. ADC Connections

**ADC Connections if the ADC is Not Used**

It is recommended that the connections for the analog power pins be kept, even if the ADC is not used. Following is a summary of how the ADC pins should be connected, if the ADC is not used in an application:

- $V_{DDA}$  – Connect to  $V_{DDIO}$
- $V_{SSA}$  – Connect to  $V_{SS}$
- $V_{REFLO}$  – Connect to  $V_{SS}$
- $ADCINAn, ADCINBn, V_{REFHI}$  – Connect to  $V_{SSA}$

When the ADC module is used in an application, unused ADC input pins should be connected to analog ground ( $V_{SSA}$ ).

**NOTE:** Unused ADCIN pins that are multiplexed with AIO function should not be directly connected to analog ground. They should be grounded through a 1-k $\Omega$  resistor. This is to prevent an errant code from configuring these pins as AIO outputs and driving grounded pins to a logic-high state.

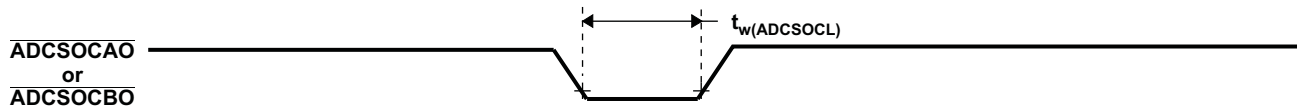
When the ADC is not used, be sure that the clock to the ADC module is not turned on to realize power savings.

### 6.9.2.1.2 ADC Start-of-Conversion Electrical Data/Timing

**Table 6-26. External ADC Start-of-Conversion Switching Characteristics**

over recommended operating conditions (unless otherwise noted)

| PARAMETER  | MIN            | MAX | UNIT   |
|--|----------------|-----|--------|
| $t_{w(ADCSOCL)}$ Pulse duration, $\overline{ADCSOCxO}$ low | $32t_{c(HCO)}$ |     | cycles |



**Figure 6-22.  $\overline{ADCSOCAO}$  or  $\overline{ADCSOCBO}$  Timing**

### 6.9.2.1.3 On-Chip Analog-to-Digital Converter (ADC) Electrical Data/Timing

**Table 6-27. ADC Electrical Characteristics**

| PARAMETER   | MIN  | TYP   | MAX         | UNIT       |
|---|--|-------|-------------|------------|
| <b>DC SPECIFICATIONS</b>                            |  |       |             |            |
| Resolution  | 12   |       |             | Bits       |
| ADC clock   | 90-MHz device  | 0.001 | 45          | MHz        |
| Sample Window                                       | 7  |       | 64          | ADC Clocks |
| <b>ACCURACY</b>                                     |  |       |             |            |
| INL (Integral nonlinearity) <sup>(1)</sup>          | -4   |       | 4           | LSB        |
| DNL (Differential nonlinearity), no missing codes   | -1   |       | 1.5         | LSB        |
| Offset error <sup>(2)</sup>                         | Executing a single self-recalibration <sup>(3)</sup> | -20   | 20          | LSB        |
|   | Executing periodic self-recalibration <sup>(4)</sup> | -4    | 4           |            |
| Overall gain error with internal reference          | -60  |       | 60          | LSB        |
| Overall gain error with external reference          | -40  |       | 40          | LSB        |
| Channel-to-channel offset variation                 | -4   |       | 4           | LSB        |
| Channel-to-channel gain variation                   | -4   |       | 4           | LSB        |
| ADC temperature coefficient with internal reference |  | -50   |             | ppm/°C     |
| ADC temperature coefficient with external reference |  | -20   |             | ppm/°C     |
| $V_{REFLO}$   |  | -100  |             | μA         |
| $V_{REFHI}$   |  | 100   |             | μA         |
| <b>ANALOG INPUT</b>                                 |  |       |             |            |
| Analog input voltage with internal reference        | 0  |       | 3.3         | V          |
| Analog input voltage with external reference        | $V_{REFLO}$  |       | $V_{REFHI}$ | V          |
| $V_{REFLO}$ input voltage <sup>(5)</sup>            | $V_{SSA}$  |       | 0.66        | V          |
| $V_{REFHI}$ input voltage <sup>(6)</sup>            |  | 2.64  | $V_{DDA}$   | V          |
|   | with $V_{REFLO} = V_{SSA}$                           | 1.98  | $V_{DDA}$   |            |
| Input capacitance                                   |  | 5     |             | pF         |
| Input leakage current                               |  | ±2    |             | μA         |

- (1) INL will degrade when the ADC input voltage goes above  $V_{DDA}$ .
- (2) 1 LSB has the weighted value of full-scale range (FSR)/4096. FSR is 3.3 V with internal reference and  $V_{REFHI} - V_{REFLO}$  for external reference.
- (3) For more details, see the *TMS320F28069, TMS320F28068, TMS320F28067, TMS320F28066, TMS320F28065, TMS320F28064, TMS320F28063, TMS320F28062 Piccolo MCUs Silicon Errata (SPRZ342)*.
- (4) Periodic self-recalibration will remove system-level and temperature dependencies on the ADC zero offset error.
- (5)  $V_{REFLO}$  is always connected to  $V_{SSA}$  on the 80-pin PN and PFP devices.
- (6)  $V_{REFHI}$  must not exceed  $V_{DDA}$  when using either internal or external reference modes. Since  $V_{REFHI}$  is tied to ADCINA0 on the 80-pin PN and PFP devices, the input signal on ADCINA0 must not exceed  $V_{DDA}$ .

Table 6-28. ADC Power Modes

| ADC OPERATING MODE            | CONDITIONS   | I <sub>DDA</sub> | UNIT |
|-------------------------------|--|------------------|------|
| Mode A – Operating Mode       | ADC Clock Enabled<br>Bandgap On (ADCBGPWD = 1)<br>Reference On (ADCREFPWD = 1)<br>ADC Powered Up (ADCPWDN = 1) | 16               | mA   |
| Mode B – Quick Wake Mode      | ADC Clock Enabled<br>Bandgap On (ADCBGPWD = 1)<br>Reference On (ADCREFPWD = 1)<br>ADC Powered Up (ADCPWDN = 0) | 4                | mA   |
| Mode C – Comparator-Only Mode | ADC Clock Enabled<br>Bandgap On (ADCBGPWD = 1)<br>Reference On (ADCREFPWD = 0)<br>ADC Powered Up (ADCPWDN = 0) | 1.5              | mA   |
| Mode D – Off Mode             | ADC Clock Enabled<br>Bandgap On (ADCBGPWD = 0)<br>Reference On (ADCREFPWD = 0)<br>ADC Powered Up (ADCPWDN = 0) | 0.075            | mA   |

6.9.2.1.3.1 Internal Temperature Sensor

Table 6-29. Temperature Sensor Coefficient

| PARAMETER <sup>(1)</sup>   | MIN | TYP                    | MAX | UNIT   |
|--|-----|------------------------|-----|--------|
| T <sub>SLOPE</sub> Degrees C of temperature movement per measured ADC LSB change of the temperature sensor |     | 0.18 <sup>(2)(3)</sup> |     | °C/LSB |
| T <sub>OFFSET</sub> ADC output at 0°C of the temperature sensor  |     | 1750                   |     | LSB    |

- (1) The temperature sensor slope and offset are given in terms of ADC LSBs using the internal reference of the ADC. Values must be adjusted accordingly in external reference mode to the external reference voltage.
- (2) ADC temperature coefficient is accounted for in this specification
- (3) Output of the temperature sensor (in terms of LSBs) is sign-consistent with the direction of the temperature movement. Increasing temperatures will give increasing ADC values relative to an initial value; decreasing temperatures will give decreasing ADC values relative to an initial value.

6.9.2.1.3.2 ADC Power-Up Control Bit Timing

Table 6-30. ADC Power-Up Delays

| PARAMETER <sup>(1)</sup>   | MIN | MAX | UNIT |
|--|-----|-----|------|
| t <sub>d(PWD)</sub> Delay time for the ADC to be stable after power up |     | 1   | ms   |

- (1) Timings maintain compatibility to the ADC module. The 2806x ADC supports driving all 3 bits at the same time t<sub>d(PWD)</sub> ms before first conversion.

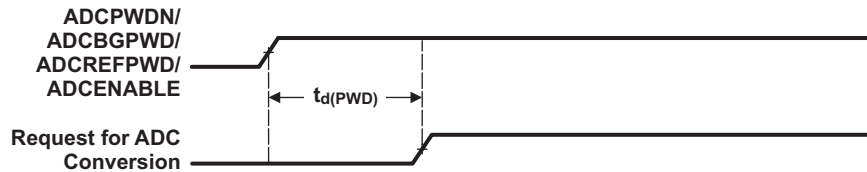
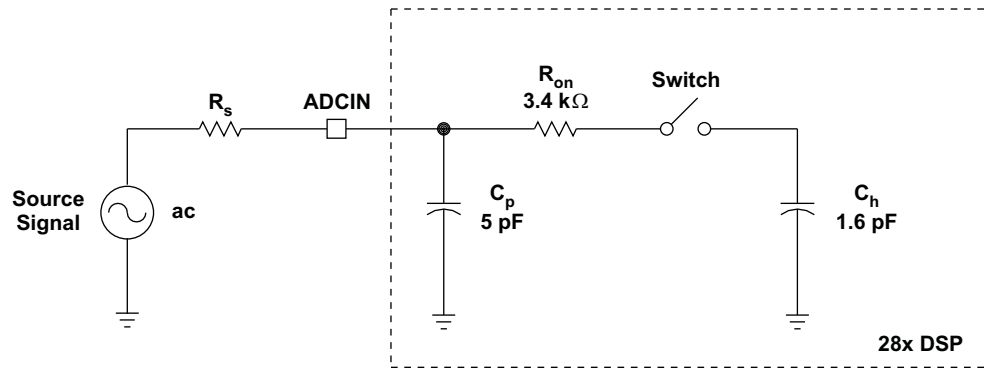


Figure 6-23. ADC Conversion Timing



**Typical Values of the Input Circuit Components:**

**Switch Resistance ( $R_{on}$ ):** 3.4 k $\Omega$

**Sampling Capacitor ( $C_h$ ):** 1.6 pF

**Parasitic Capacitance ( $C_p$ ):** 5 pF

**Source Resistance ( $R_s$ ):** 50  $\Omega$

**Figure 6-24. ADC Input Impedance Model**



6.9.2.1.3.3 ADC Sequential and Simultaneous Timings

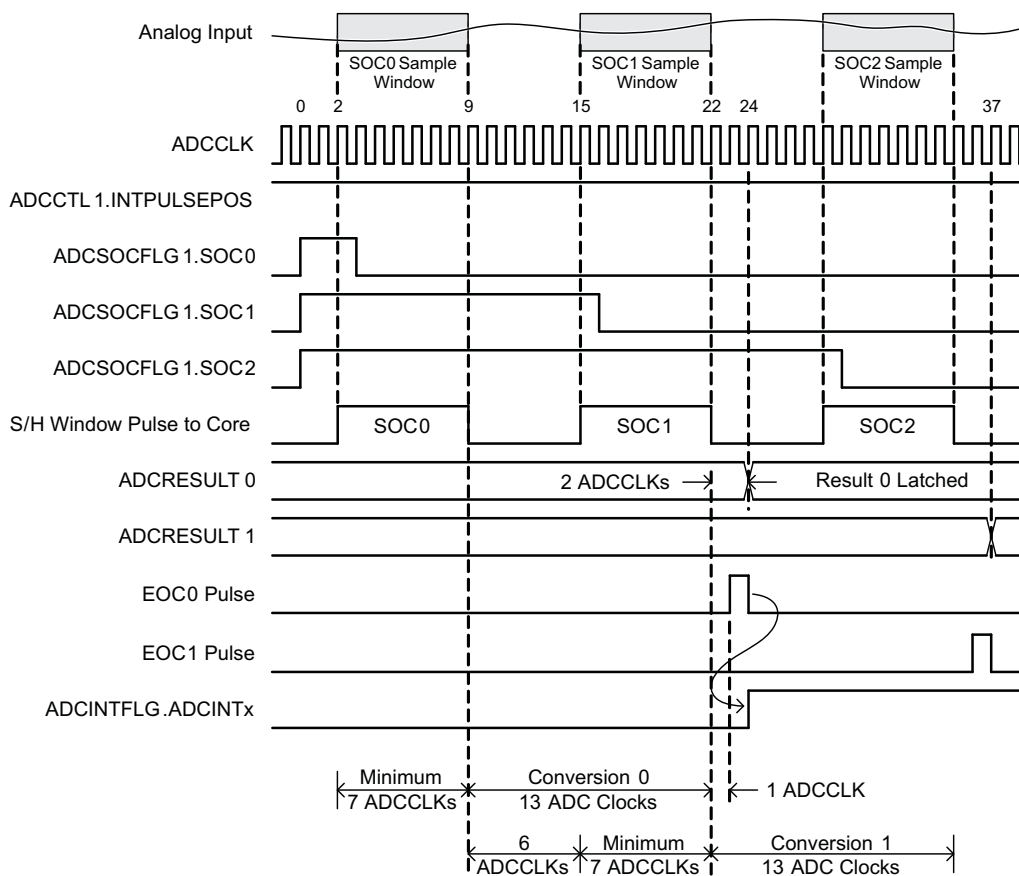
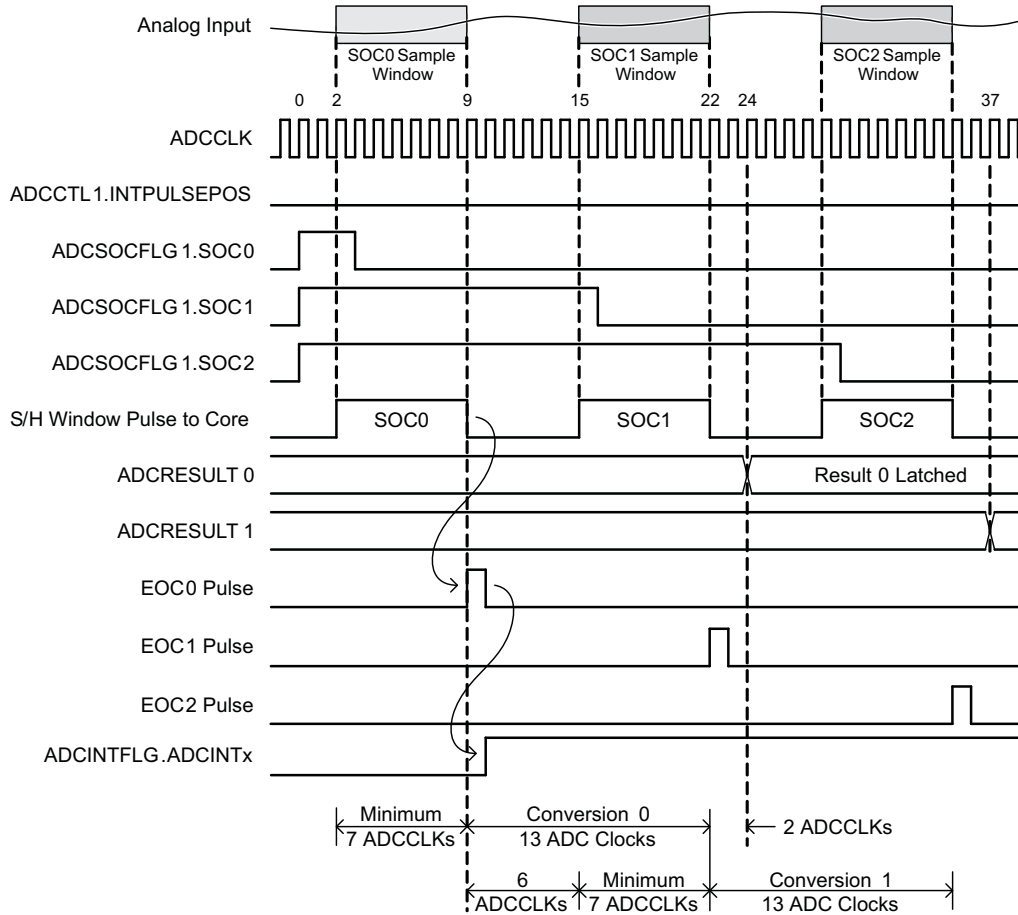


Figure 6-25. Timing Example for Sequential Mode / Late Interrupt Pulse



**Figure 6-26. Timing Example for Sequential Mode / Early Interrupt Pulse**

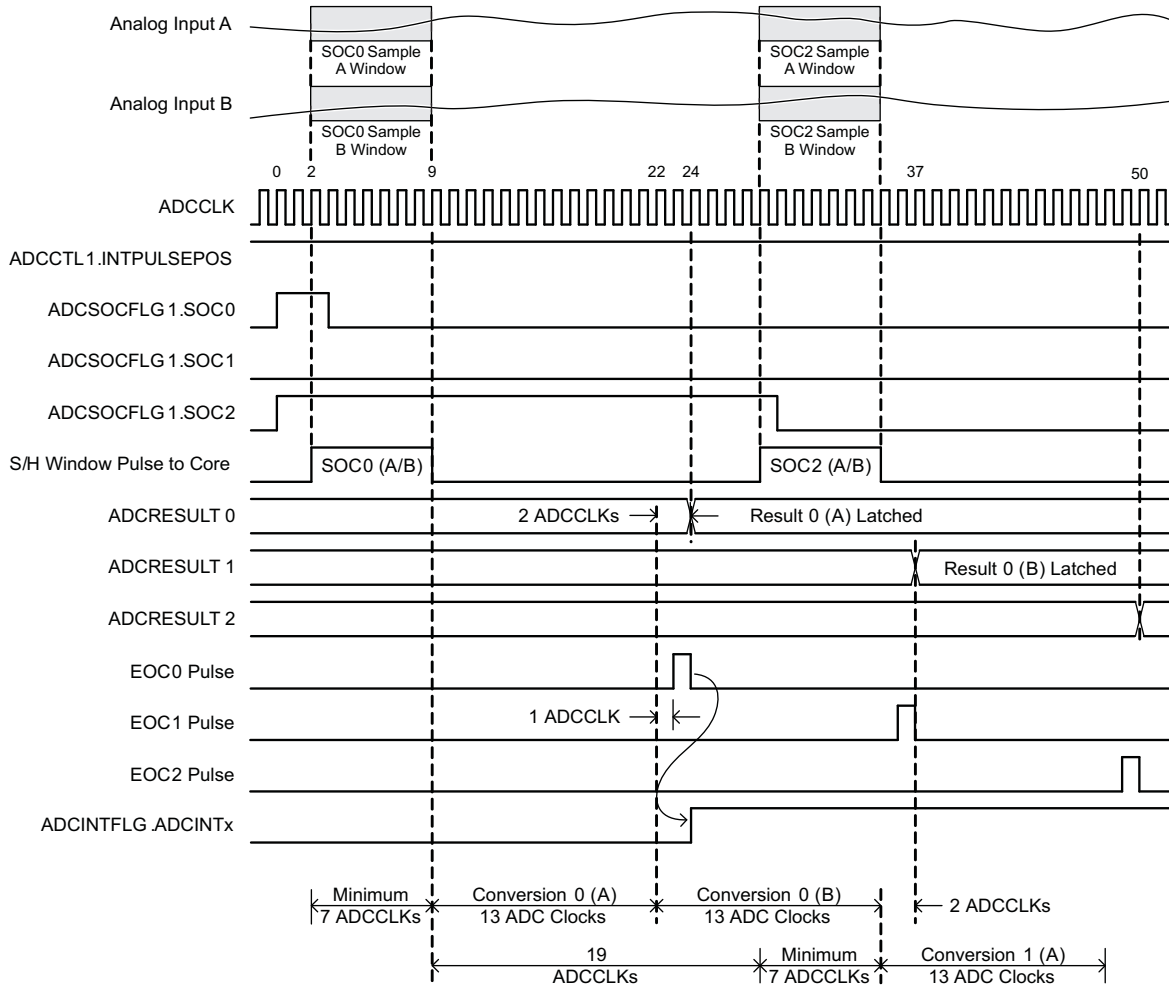


Figure 6-27. Timing Example for Simultaneous Mode / Late Interrupt Pulse

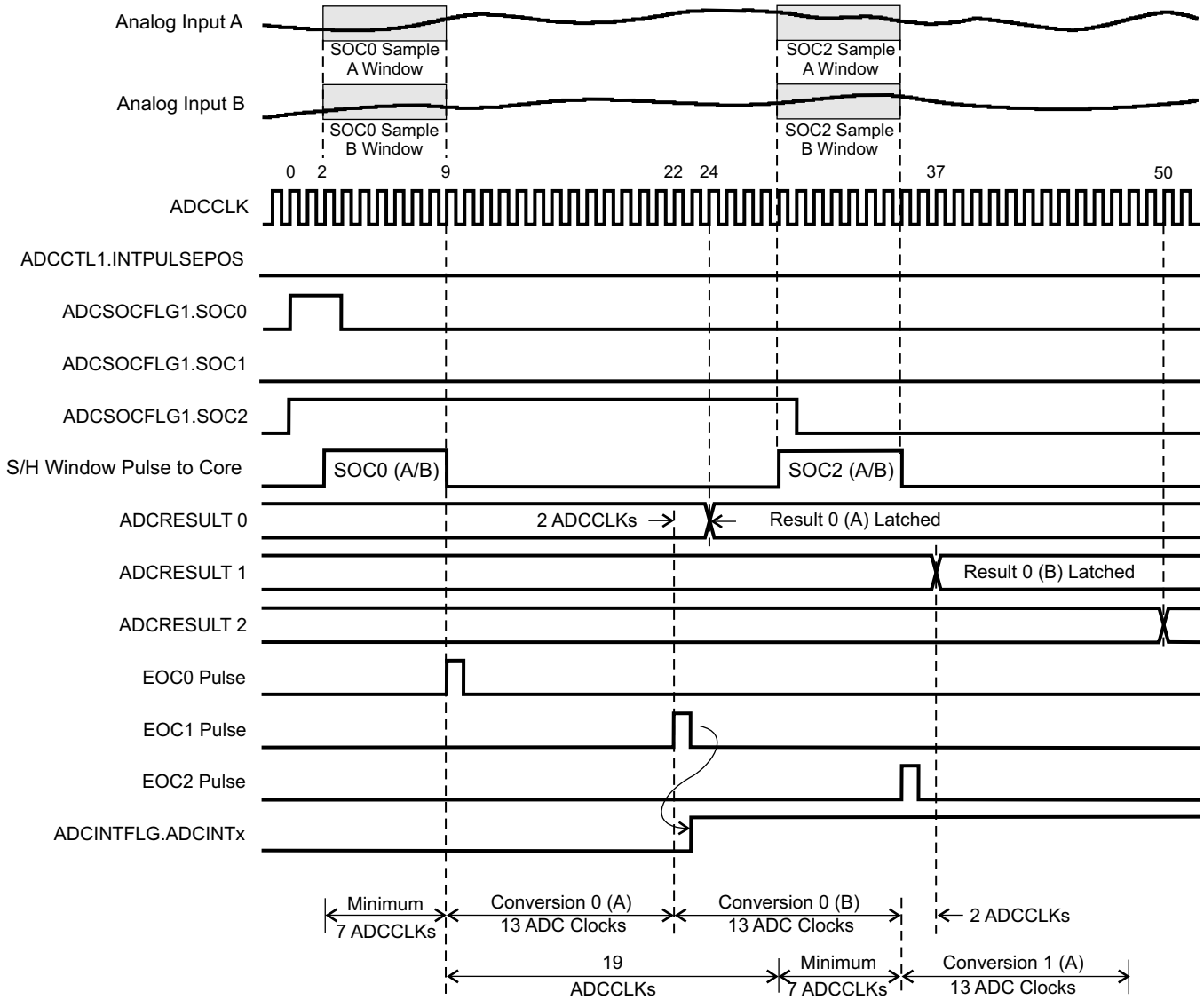


Figure 6-28. Timing Example for Simultaneous Mode / Early Interrupt Pulse

6.9.2.2 ADC MUX

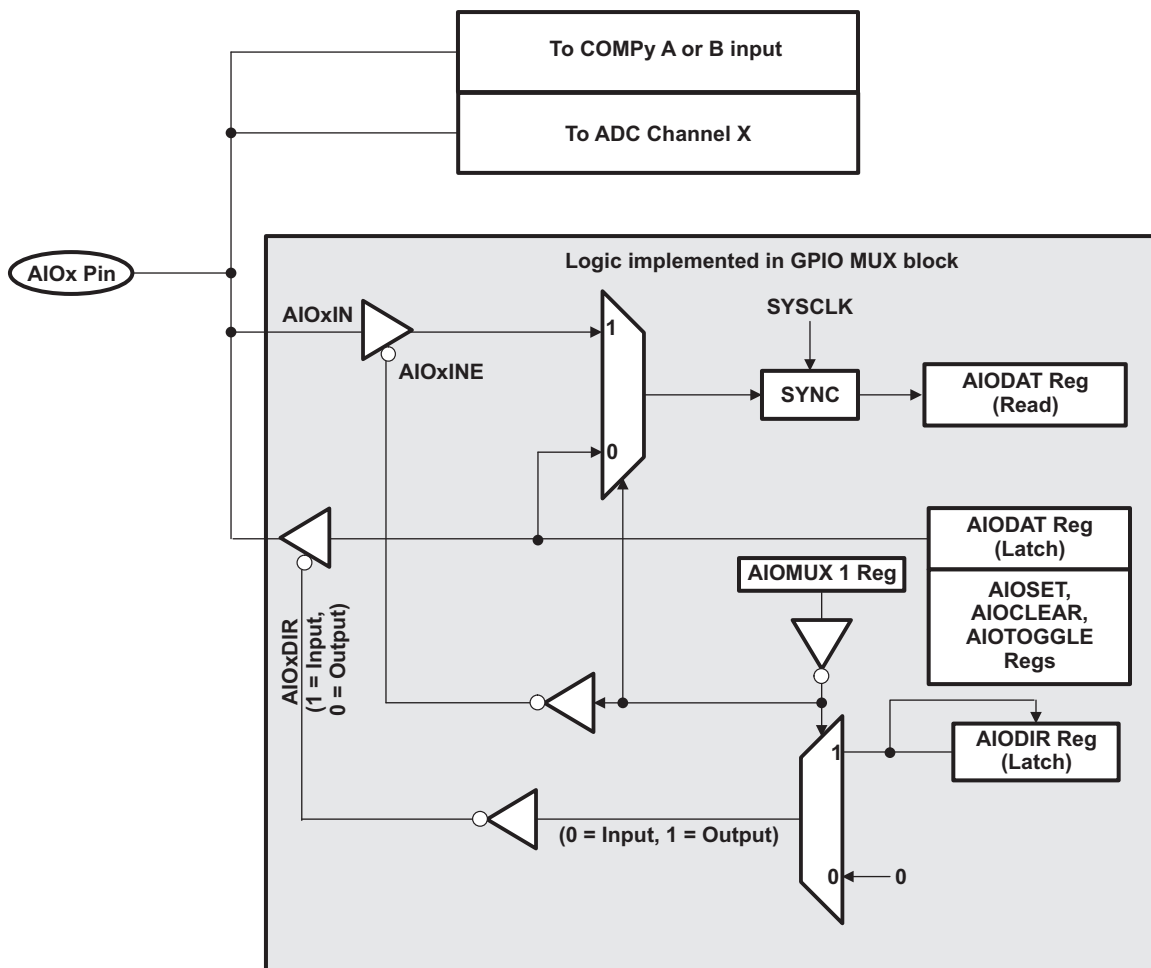


Figure 6-29. AIOx Pin Multiplexing

The ADC channel and Comparator functions are always available. The digital I/O function is available only when the respective bit in the AIOMUX1 register is 0. In this mode, reading the AIODAT register reflects the actual pin state.

The digital I/O function is disabled when the respective bit in the AIOMUX1 register is 1. In this mode, reading the AIODAT register reflects the output latch of the AIODAT register and the input digital I/O buffer is disabled to prevent analog signals from generating noise.

On reset, the digital function is disabled. If the pin is used as an analog input, users should keep the AIO function disabled for that pin.

### 6.9.2.3 Comparator Block

Figure 6-30 shows the interaction of the Comparator modules with the rest of the system.

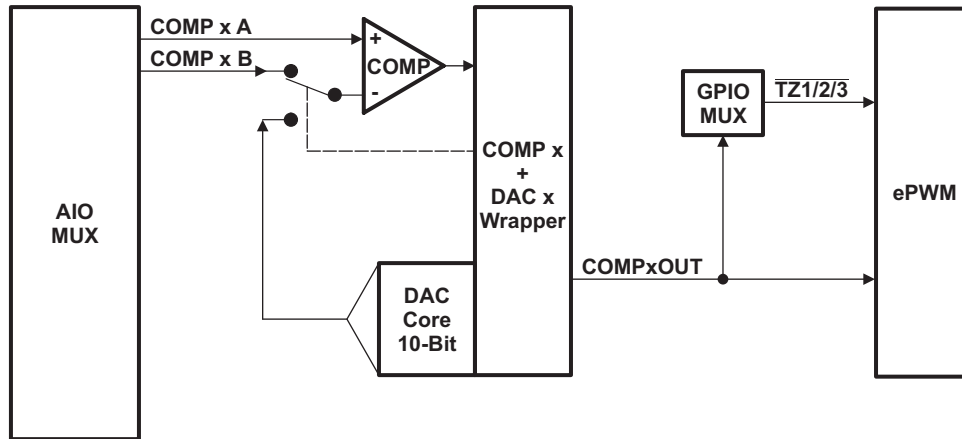


Figure 6-30. Comparator Block Diagram

Table 6-31. Comparator Control Registers

| REGISTER NAME     | COMP1 ADDRESS | COMP2 ADDRESS | COMP3 ADDRESS | SIZE (x16) | EALLOW PROTECTED | DESCRIPTION  |
|-------------------|---------------|---------------|---------------|------------|------------------|--|
| COMPCTL           | 0x6400        | 0x6420        | 0x6440        | 1          | Yes              | Comparator Control Register                        |
| COMPSTS           | 0x6402        | 0x6422        | 0x6442        | 1          | No               | Comparator Status Register                         |
| DACCTL            | 0x6404        | 0x6424        | 0x6444        | 1          | Yes              | DAC Control Register                               |
| DACVAL            | 0x6406        | 0x6426        | 0x6446        | 1          | No               | DAC Value Register                                 |
| RAMPMAXREF_ACTIVE | 0x6408        | 0x6428        | 0x6448        | 1          | No               | Ramp Generator Maximum Reference (Active) Register |
| RAMPMAXREF_SHDW   | 0x640A        | 0x642A        | 0x644A        | 1          | No               | Ramp Generator Maximum Reference (Shadow) Register |
| RAMPDECVAL_ACTIVE | 0x640C        | 0x642C        | 0x644C        | 1          | No               | Ramp Generator Decrement Value (Active) Register   |
| RAMPDECVAL_SHDW   | 0x640E        | 0x642E        | 0x644E        | 1          | No               | Ramp Generator Decrement Value (Shadow) Register   |
| RAMPSTS           | 0x6410        | 0x6430        | 0x6450        | 1          | No               | Ramp Generator Status Register                     |

6.9.2.3.1 On-Chip Comparator/DAC Electrical Data/Timing

Table 6-32. Electrical Characteristics of the Comparator/DAC

| CHARACTERISTIC                                    | MIN | TYP                 | MAX | UNIT |
|---|-----|---------------------|-----|------|
| <b>Comparator</b>                                 |     |                     |     |      |
| Comparator Input Range                            |     | $V_{SSA} - V_{DDA}$ |     | V    |
| Comparator response time to PWM Trip Zone (Async) |     | 30                  |     | ns   |
| Input Offset                                      |     | ±5                  |     | mV   |
| Input Hysteresis <sup>(1)</sup>                   |     | 35                  |     | mV   |
| <b>DAC</b>  |     |                     |     |      |
| DAC Output Range                                  |     | $V_{SSA} - V_{DDA}$ |     | V    |
| DAC resolution                                    |     | 10                  |     | bits |
| DAC settling time                                 |     | See Figure 6-31     |     |      |
| DAC Gain  |     | -1.5%               |     |      |
| DAC Offset  |     | 10                  |     | mV   |
| Monotonic   |     | Yes                 |     |      |
| INL   |     | ±3                  |     | LSB  |

(1) Hysteresis on the comparator inputs is achieved with a Schmidt trigger configuration. This results in an effective 100-kΩ feedback resistance between the output of the comparator and the non-inverting input of the comparator.

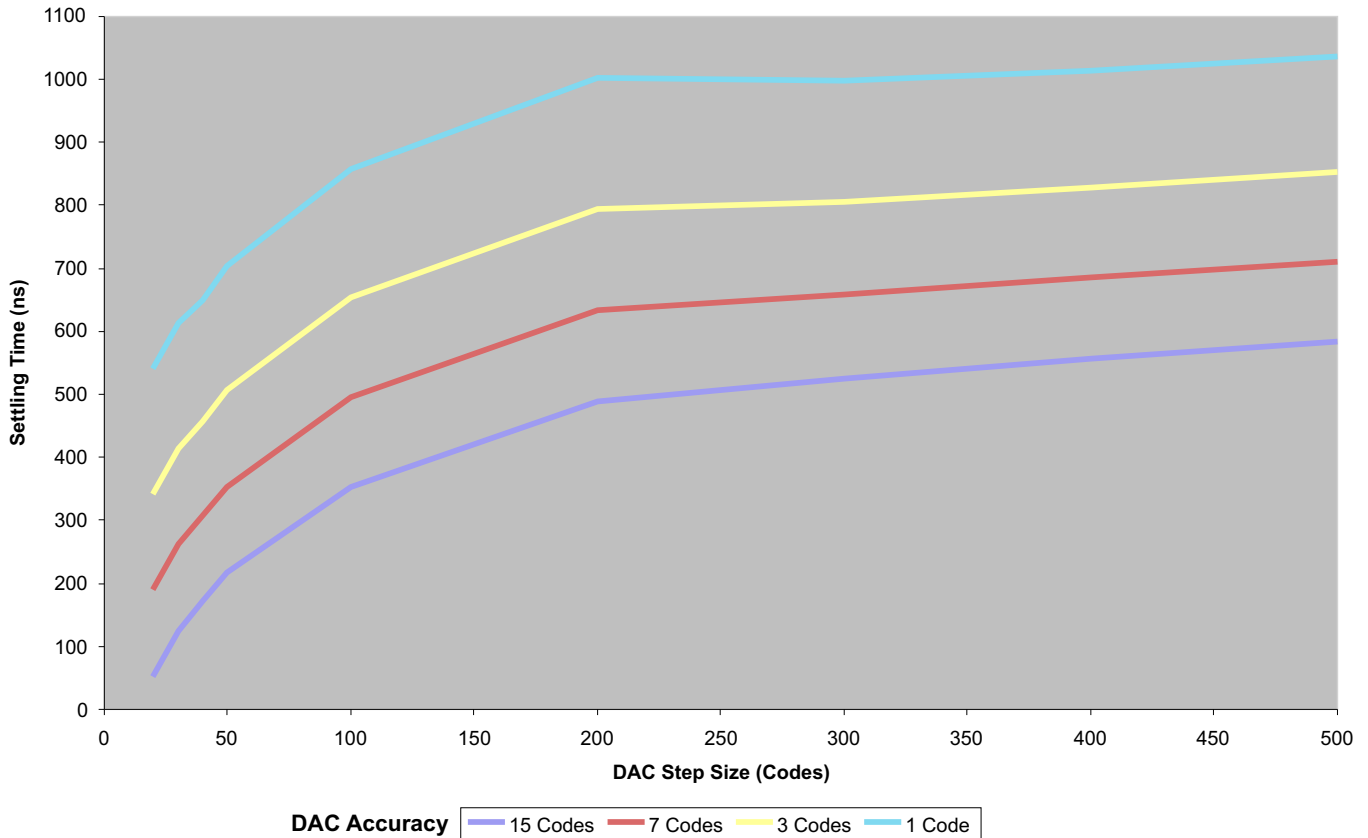


Figure 6-31. DAC Settling Time

### 6.9.3 Detailed Descriptions

#### Integral Nonlinearity

Integral nonlinearity refers to the deviation of each individual code from a line drawn from zero through full scale. The point used as zero occurs one-half LSB before the first code transition. The full-scale point is defined as level one-half LSB beyond the last code transition. The deviation is measured from the center of each particular code to the true straight line between these two points.

#### Differential Nonlinearity

An ideal ADC exhibits code transitions that are exactly 1 LSB apart. DNL is the deviation from this ideal value. A differential nonlinearity error of less than  $\pm 1$  LSB ensures no missing codes.

#### Zero Offset

The major carry transition should occur when the analog input is at zero volts. Zero error is defined as the deviation of the actual transition from that point.

#### Gain Error

The first code transition should occur at an analog value one-half LSB above negative full scale. The last transition should occur at an analog value one and one-half LSB below the nominal full scale. Gain error is the deviation of the actual difference between first and last code transitions and the ideal difference between first and last code transitions.

#### Signal-to-Noise Ratio + Distortion (SINAD)

SINAD is the ratio of the rms value of the measured input signal to the rms sum of all other spectral components below the Nyquist frequency, including harmonics but excluding DC. The value for SINAD is expressed in decibels.

#### Effective Number of Bits (ENOB)

For a sine wave, SINAD can be expressed in terms of the number of bits. Using the following formula, 
$$N = \frac{(\text{SINAD} - 1.76)}{6.02}$$
 it is possible to get a measure of performance expressed as N, the effective number of bits. Thus, effective number of bits for a device for sine wave inputs at a given input frequency can be calculated directly from its measured SINAD.

#### Total Harmonic Distortion (THD)

THD is the ratio of the rms sum of the first nine harmonic components to the rms value of the measured input signal and is expressed as a percentage or in decibels.

#### Spurious Free Dynamic Range (SFDR)

SFDR is the difference in dB between the rms amplitude of the input signal and the peak spurious signal.



### 6.9.4 Serial Peripheral Interface (SPI) Module

The device includes the four-pin serial peripheral interface (SPI) module. Up to two SPI modules are available. The SPI is a high-speed, synchronous serial I/O port that allows a serial bit stream of programmed length (1 to 16 bits) to be shifted into and out of the device at a programmable bit-transfer rate. Normally, the SPI is used for communications between the MCU and external peripherals or another processor. Typical applications include external I/O or peripheral expansion through devices such as shift registers, display drivers, and ADCs. Multidevice communications are supported by the master/slave operation of the SPI.

The SPI module features include:

- Four external pins:
  - SPISOMI: SPI slave-output/master-input pin
  - SPISIMO: SPI slave-input/master-output pin
  - $\overline{\text{SPISTE}}$ : SPI slave transmit-enable pin
  - SPICLK: SPI serial-clock pin

**NOTE:** All four pins can be used as GPIO if the SPI module is not used.

- Two operational modes: master and slave
- Baud rate: 125 different programmable rates.

$$\text{Baud rate} = \frac{\text{LSPCLK}}{(\text{SPIBRR} + 1)} \quad \text{when SPIBRR} = 3 \text{ to } 127$$

$$\text{Baud rate} = \frac{\text{LSPCLK}}{4} \quad \text{when SPIBRR} = 0, 1, 2$$

- Data word length: 1 to 16 data bits
- Four clocking schemes (controlled by clock polarity and clock phase bits) include:
  - Falling edge without phase delay: SPICLK active-high. SPI transmits data on the falling edge of the SPICLK signal and receives data on the rising edge of the SPICLK signal.
  - Falling edge with phase delay: SPICLK active-high. SPI transmits data one half-cycle ahead of the falling edge of the SPICLK signal and receives data on the falling edge of the SPICLK signal.
  - Rising edge without phase delay: SPICLK inactive-low. SPI transmits data on the rising edge of the SPICLK signal and receives data on the falling edge of the SPICLK signal.
  - Rising edge with phase delay: SPICLK inactive-low. SPI transmits data one half-cycle ahead of the falling edge of the SPICLK signal and receives data on the rising edge of the SPICLK signal.
- Simultaneous receive and transmit operation (transmit function can be disabled in software)
- Transmitter and receiver operations are accomplished through either interrupt-driven or polled algorithms.
- Nine SPI module control registers: Located in control register frame beginning at address 7040h.

#### NOTE

All registers in this module are 16-bit registers that are connected to Peripheral Frame 2. When a register is accessed, the register data is in the lower byte (7–0), and the upper byte (15–8) is read as zeros. Writing to the upper byte has no effect.

Enhanced feature:

- 4-level transmit/receive FIFO
- Delayed transmit control
- Bi-directional 3 wire SPI mode support
- Audio data receive support through  $\overline{\text{SPISTE}}$  inversion

The SPI port operation is configured and controlled by the registers listed in [Table 6-33](#) and [Table 6-34](#).

**Table 6-33. SPI-A Registers**

| NAME     | ADDRESS | SIZE (x16) | EALLOW PROTECTED | DESCRIPTION <sup>(1)</sup>              |
|----------|---------|------------|------------------|---|
| SPICCR   | 0x7040  | 1          | No               | SPI-A Configuration Control Register    |
| SPICTL   | 0x7041  | 1          | No               | SPI-A Operation Control Register        |
| SPISTS   | 0x7042  | 1          | No               | SPI-A Status Register                   |
| SPIBRR   | 0x7044  | 1          | No               | SPI-A Baud Rate Register                |
| SPIRXEMU | 0x7046  | 1          | No               | SPI-A Receive Emulation Buffer Register |
| SPIRXBUF | 0x7047  | 1          | No               | SPI-A Serial Input Buffer Register      |
| SPITXBUF | 0x7048  | 1          | No               | SPI-A Serial Output Buffer Register     |
| SPIDAT   | 0x7049  | 1          | No               | SPI-A Serial Data Register              |
| SPIFFTX  | 0x704A  | 1          | No               | SPI-A FIFO Transmit Register            |
| SPIFFRX  | 0x704B  | 1          | No               | SPI-A FIFO Receive Register             |
| SPIFFCT  | 0x704C  | 1          | No               | SPI-A FIFO Control Register             |
| SPIPRI   | 0x704F  | 1          | No               | SPI-A Priority Control Register         |

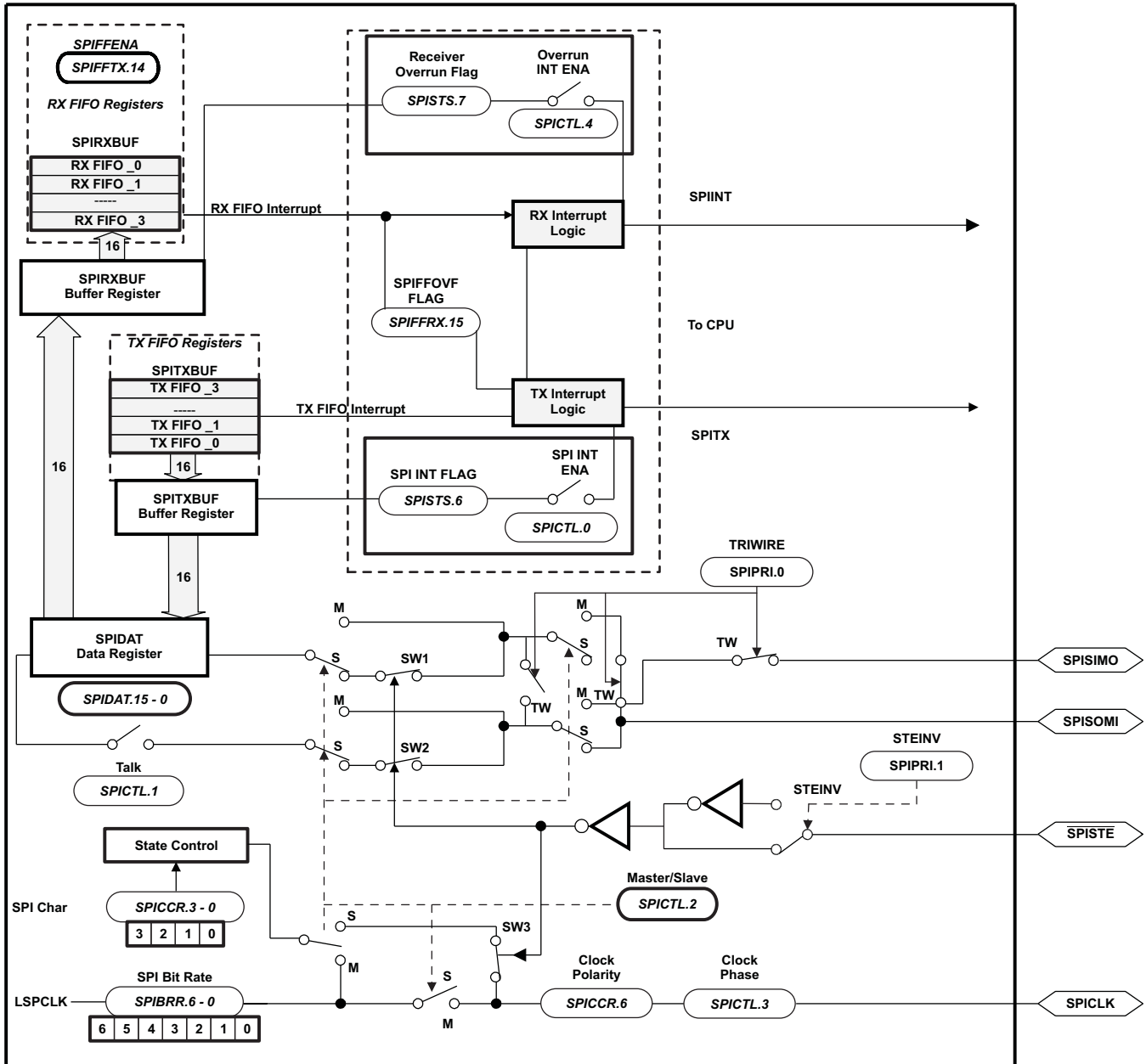
(1) Registers in this table are mapped to Peripheral Frame 2. This space only allows 16-bit accesses. 32-bit accesses produce undefined results.

**Table 6-34. SPI-B Registers**

| NAME     | ADDRESS | SIZE (x16) | EALLOW PROTECTED | DESCRIPTION <sup>(1)</sup>              |
|----------|---------|------------|------------------|---|
| SPICCR   | 0x7740  | 1          | No               | SPI-B Configuration Control Register    |
| SPICTL   | 0x7741  | 1          | No               | SPI-B Operation Control Register        |
| SPISTS   | 0x7742  | 1          | No               | SPI-B Status Register                   |
| SPIBRR   | 0x7744  | 1          | No               | SPI-B Baud Rate Register                |
| SPIRXEMU | 0x7746  | 1          | No               | SPI-B Receive Emulation Buffer Register |
| SPIRXBUF | 0x7747  | 1          | No               | SPI-B Serial Input Buffer Register      |
| SPITXBUF | 0x7748  | 1          | No               | SPI-B Serial Output Buffer Register     |
| SPIDAT   | 0x7749  | 1          | No               | SPI-B Serial Data Register              |
| SPIFFTX  | 0x774A  | 1          | No               | SPI-B FIFO Transmit Register            |
| SPIFFRX  | 0x774B  | 1          | No               | SPI-B FIFO Receive Register             |
| SPIFFCT  | 0x774C  | 1          | No               | SPI-B FIFO Control Register             |
| SPIPRI   | 0x774F  | 1          | No               | SPI-B Priority Control Register         |

(1) Registers in this table are mapped to Peripheral Frame 2. This space only allows 16-bit accesses. 32-bit accesses produce undefined results.

Figure 6-32 is a block diagram of the SPI in slave mode.



A.  $\overline{\text{SPISTE}}$  is driven low by the master for a slave device.

Figure 6-32. SPI Module Block Diagram (Slave Mode)

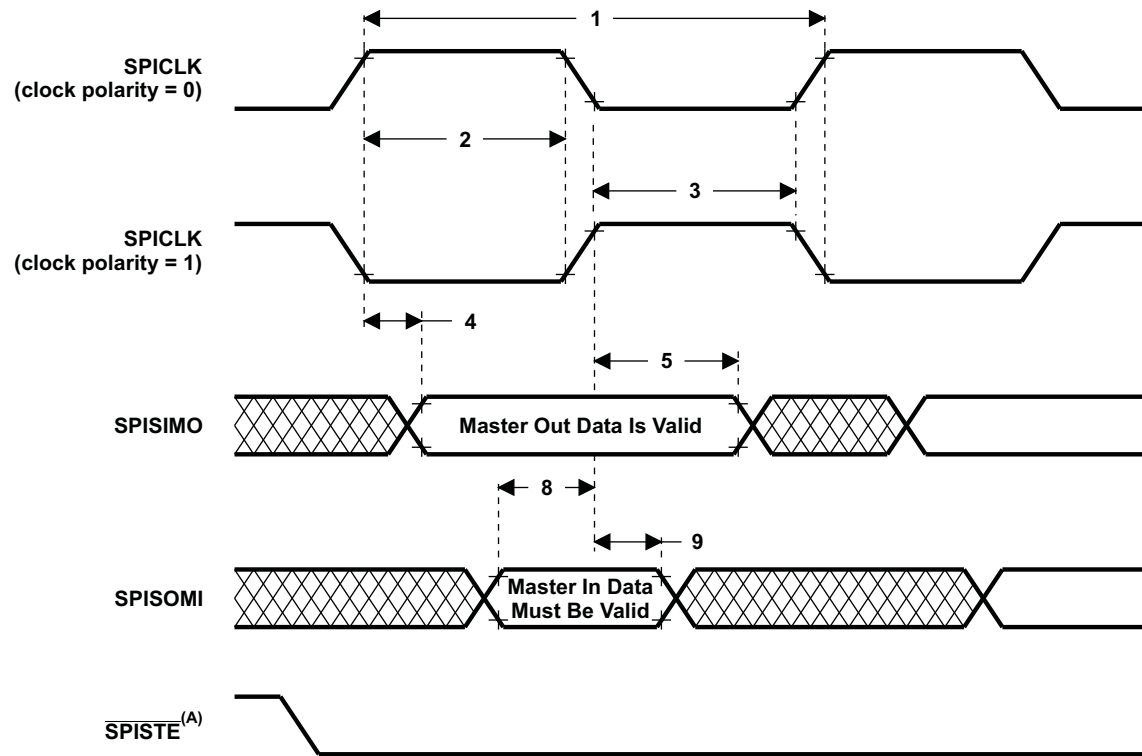
### 6.9.4.1 SPI Master Mode Electrical Data/Timing

Table 6-35 lists the master mode timing (clock phase = 0) and Table 6-36 lists the master mode timing (clock phase = 1). Figure 6-33 and Figure 6-34 show the timing waveforms.

**Table 6-35. SPI Master Mode External Timing (Clock Phase = 0)<sup>(1)(2)(3)(4)(5)</sup>**

| NO. |                      |   | SPI WHEN (SPIBRR + 1) IS EVEN<br>OR SPIBRR = 0 OR 2 |                  | SPI WHEN (SPIBRR + 1) IS ODD<br>AND SPIBRR > 3 |                                  | UNIT |
|-----|----------------------|---|---|------------------|--|----------------------------------|------|
|     |                      |   | MIN   | MAX              | MIN  | MAX                              |      |
| 1   | $t_{c(SPC)M}$        | Cycle time, SPICLK  | $4t_{c(LCO)}$                                       | $128t_{c(LCO)}$  | $5t_{c(LCO)}$                                  | $127t_{c(LCO)}$                  | ns   |
| 2   | $t_{w(SPCH)M}$       | Pulse duration, SPICLK high (clock polarity = 0)                      | $0.5t_{c(SPC)M} - 10$                               | $0.5t_{c(SPC)M}$ | $0.5t_{c(SPC)M} - 0.5t_{c(LCO)} - 10$          | $0.5t_{c(SPC)M} - 0.5t_{c(LCO)}$ | ns   |
|     | $t_{w(SPCL)M}$       | Pulse duration, SPICLK low (clock polarity = 1)                       | $0.5t_{c(SPC)M} - 10$                               | $0.5t_{c(SPC)M}$ | $0.5t_{c(SPC)M} - 0.5t_{c(LCO)} - 10$          | $0.5t_{c(SPC)M} - 0.5t_{c(LCO)}$ |      |
| 3   | $t_{w(SPCL)M}$       | Pulse duration, SPICLK low (clock polarity = 0)                       | $0.5t_{c(SPC)M} - 10$                               | $0.5t_{c(SPC)M}$ | $0.5t_{c(SPC)M} + 0.5t_{c(LCO)} - 10$          | $0.5t_{c(SPC)M} + 0.5t_{c(LCO)}$ | ns   |
|     | $t_{w(SPCH)M}$       | Pulse duration, SPICLK high (clock polarity = 1)                      | $0.5t_{c(SPC)M} - 10$                               | $0.5t_{c(SPC)M}$ | $0.5t_{c(SPC)M} + 0.5t_{c(LCO)} - 10$          | $0.5t_{c(SPC)M} + 0.5t_{c(LCO)}$ |      |
| 4   | $t_{d(SPCH-SIMO)M}$  | Delay time, SPICLK high to SPISIMO valid (clock polarity = 0)         |   | 10               |  | 10                               | ns   |
|     | $t_{d(SPCL-SIMO)M}$  | Delay time, SPICLK low to SPISIMO valid (clock polarity = 1)          |   | 10               |  | 10                               |      |
| 5   | $t_{v(SPCL-SIMO)M}$  | Valid time, SPISIMO data valid after SPICLK low (clock polarity = 0)  | $0.5t_{c(SPC)M} - 10$                               |                  | $0.5t_{c(SPC)M} + 0.5t_{c(LCO)} - 10$          |                                  | ns   |
|     | $t_{v(SPCH-SIMO)M}$  | Valid time, SPISIMO data valid after SPICLK high (clock polarity = 1) | $0.5t_{c(SPC)M} - 10$                               |                  | $0.5t_{c(SPC)M} + 0.5t_{c(LCO)} - 10$          |                                  |      |
| 8   | $t_{su(SOMI-SPCL)M}$ | Setup time, SPISOMI before SPICLK low (clock polarity = 0)            | 26  |                  | 26   |                                  | ns   |
|     | $t_{su(SOMI-SPCH)M}$ | Setup time, SPISOMI before SPICLK high (clock polarity = 1)           | 26  |                  | 26   |                                  |      |
| 9   | $t_{v(SPCL-SOMI)M}$  | Valid time, SPISOMI data valid after SPICLK low (clock polarity = 0)  | $0.25t_{c(SPC)M} - 10$                              |                  | $0.5t_{c(SPC)M} - 0.5t_{c(LCO)} - 10$          |                                  | ns   |
|     | $t_{v(SPCH-SOMI)M}$  | Valid time, SPISOMI data valid after SPICLK high (clock polarity = 1) | $0.25t_{c(SPC)M} - 10$                              |                  | $0.5t_{c(SPC)M} - 0.5t_{c(LCO)} - 10$          |                                  |      |

- (1) The MASTER/SLAVE bit (SPICTL.2) is set and the CLOCK PHASE bit (SPICTL.3) is cleared.
- (2)  $t_{c(SPC)}$  = SPI clock cycle time = LSPCLK/4 or LSPCLK/(SPIBRR + 1)
- (3)  $t_{c(LCO)}$  = LSPCLK cycle time
- (4) Internal clock prescalers must be adjusted such that the SPI clock speed is limited to the following SPI clock rate:  
Master mode transmit 20-MHz MAX, master mode receive 10-MHz MAX  
Slave mode transmit 10-MHz MAX, slave mode receive 10-MHz MAX.
- (5) The active edge of the SPICLK signal referenced is controlled by the clock polarity bit (SPICCR.6).



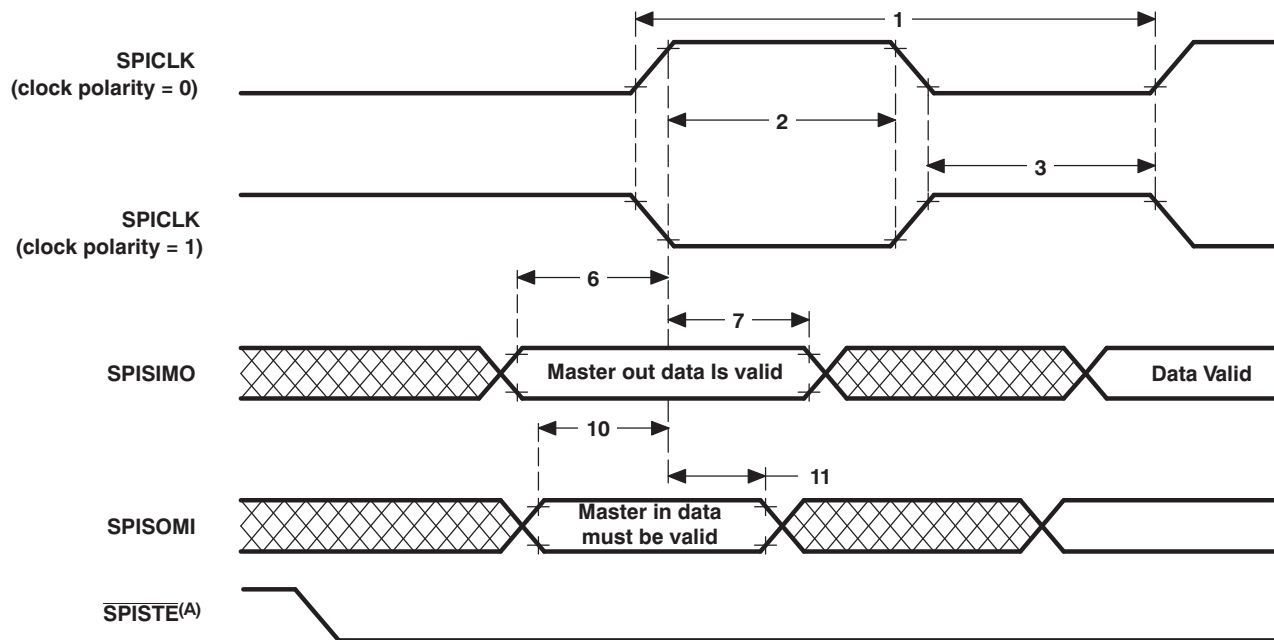
- A. In the master mode,  $\overline{\text{SPISTE}}$  goes active  $0.5t_{c(\text{SPC})}$  (minimum) before valid SPI clock edge. On the trailing end of the word, the  $\overline{\text{SPISTE}}$  will go inactive  $0.5t_{c(\text{SPC})}$  after the receiving edge (SPICLK) of the last data bit, except that  $\overline{\text{SPISTE}}$  stays active between back-to-back transmit words in both FIFO and non-FIFO modes.

**Figure 6-33. SPI Master Mode External Timing (Clock Phase = 0)**

**Table 6-36. SPI Master Mode External Timing (Clock Phase = 1)<sup>(1)(2)(3)(4)(5)</sup>**

| NO. |                      |  | SPI WHEN (SPIBRR + 1) IS EVEN<br>OR SPIBRR = 0 OR 2 |                  | SPI WHEN (SPIBRR + 1) IS ODD<br>AND SPIBRR > 3 |                                  | UNIT |
|-----|----------------------|--|---|------------------|--|----------------------------------|------|
|     |                      |  | MIN   | MAX              | MIN  | MAX                              |      |
| 1   | $t_{c(SPC)M}$        | Cycle time, SPICLK   | $4t_{c(LCO)}$                                       | $128t_{c(LCO)}$  | $5t_{c(LCO)}$                                  | $127t_{c(LCO)}$                  | ns   |
| 2   | $t_{w(SPCH)M}$       | Pulse duration, SPICLK high<br>(clock polarity = 0)                          | $0.5t_{c(SPC)M} - 10$                               | $0.5t_{c(SPC)M}$ | $0.5t_{c(SPC)M} - 0.5t_{c(LCO)} - 10$          | $0.5t_{c(SPC)M} - 0.5t_{c(LCO)}$ | ns   |
|     | $t_{w(SPCL)M}$       | Pulse duration, SPICLK low<br>(clock polarity = 1)                           | $0.5t_{c(SPC)M} - 10$                               | $0.5t_{c(SPC)M}$ | $0.5t_{c(SPC)M} - 0.5t_{c(LCO)} - 10$          | $0.5t_{c(SPC)M} - 0.5t_{c(LCO)}$ |      |
| 3   | $t_{w(SPCL)M}$       | Pulse duration, SPICLK low<br>(clock polarity = 0)                           | $0.5t_{c(SPC)M} - 10$                               | $0.5t_{c(SPC)M}$ | $0.5t_{c(SPC)M} + 0.5t_{c(LCO)} - 10$          | $0.5t_{c(SPC)M} + 0.5t_{c(LCO)}$ | ns   |
|     | $t_{w(SPCH)M}$       | Pulse duration, SPICLK high<br>(clock polarity = 1)                          | $0.5t_{c(SPC)M} - 10$                               | $0.5t_{c(SPC)M}$ | $0.5t_{c(SPC)M} + 0.5t_{c(LCO)} - 10$          | $0.5t_{c(SPC)M} + 0.5t_{c(LCO)}$ |      |
| 6   | $t_{su(SIMO-SPCH)M}$ | Setup time, SPISIMO data valid<br>before SPICLK high<br>(clock polarity = 0) | $0.5t_{c(SPC)M} - 10$                               |                  | $0.5t_{c(SPC)M} - 10$                          |                                  | ns   |
|     | $t_{su(SIMO-SPCL)M}$ | Setup time, SPISIMO data valid<br>before SPICLK low<br>(clock polarity = 1)  | $0.5t_{c(SPC)M} - 10$                               |                  | $0.5t_{c(SPC)M} - 10$                          |                                  |      |
| 7   | $t_{v(SPCH-SIMO)M}$  | Valid time, SPISIMO data valid after<br>SPICLK high (clock polarity = 0)     | $0.5t_{c(SPC)M} - 10$                               |                  | $0.5t_{c(SPC)M} - 10$                          |                                  | ns   |
|     | $t_{v(SPCL-SIMO)M}$  | Valid time, SPISIMO data valid after<br>SPICLK low (clock polarity = 1)      | $0.5t_{c(SPC)M} - 10$                               |                  | $0.5t_{c(SPC)M} - 10$                          |                                  |      |
| 10  | $t_{su(SOMI-SPCH)M}$ | Setup time, SPISOMI before<br>SPICLK high (clock polarity = 0)               | 26  |                  | 26   |                                  | ns   |
|     | $t_{su(SOMI-SPCL)M}$ | Setup time, SPISOMI before<br>SPICLK low (clock polarity = 1)                | 26  |                  | 26   |                                  |      |
| 11  | $t_{v(SPCH-SOMI)M}$  | Valid time, SPISOMI data valid after<br>SPICLK high (clock polarity = 0)     | $0.25t_{c(SPC)M} - 10$                              |                  | $0.5t_{c(SPC)M} - 10$                          |                                  | ns   |
|     | $t_{v(SPCL-SOMI)M}$  | Valid time, SPISOMI data valid after<br>SPICLK low (clock polarity = 1)      | $0.25t_{c(SPC)M} - 10$                              |                  | $0.5t_{c(SPC)M} - 10$                          |                                  |      |

- (1) The MASTER/SLAVE bit (SPICTL.2) is set and the CLOCK PHASE bit (SPICTL.3) is set.
- (2)  $t_{c(SPC)}$  = SPI clock cycle time = LSPCLK/4 or LSPCLK/(SPIBRR + 1)
- (3) Internal clock prescalers must be adjusted such that the SPI clock speed is limited to the following SPI clock rate:  
Master mode transmit 20-MHz MAX, master mode receive 10-MHz MAX  
Slave mode transmit 10-MHz MAX, slave mode receive 10-MHz MAX.
- (4)  $t_{c(LCO)}$  = LSPCLK cycle time
- (5) The active edge of the SPICLK signal referenced is controlled by the CLOCK POLARITY bit (SPICCR.6).



- A. In the master mode,  $\overline{\text{SPISTE}}$  goes active  $0.5t_{c(\text{SPC})}$  (minimum) before valid SPI clock edge. On the trailing end of the word, the  $\overline{\text{SPISTE}}$  will go inactive  $0.5t_{c(\text{SPC})}$  after the receiving edge ( $\text{SPICLK}$ ) of the last data bit, except that  $\overline{\text{SPISTE}}$  stays active between back-to-back transmit words in both FIFO and non-FIFO modes.

**Figure 6-34. SPI Master Mode External Timing (Clock Phase = 1)**

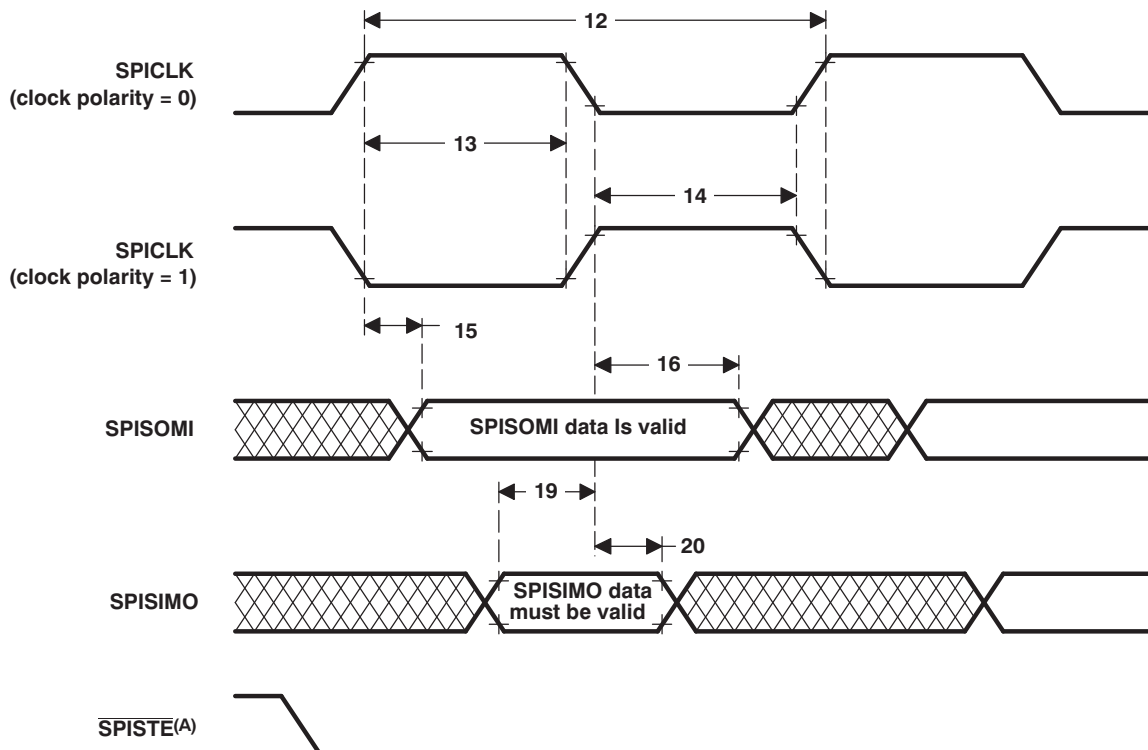
### 6.9.4.2 SPI Slave Mode Electrical Data/Timing

Table 6-37 lists the slave mode external timing (clock phase = 0) and Table 6-38 lists the slave mode external timing (clock phase = 1). Figure 6-35 and Figure 6-36 show the timing waveforms.

**Table 6-37. SPI Slave Mode External Timing (Clock Phase = 0)<sup>(1)(2)(3)(4)(5)</sup>**

| NO. |                      |   | MIN                   | MAX              | UNIT |
|-----|----------------------|---|-----------------------|------------------|------|
| 12  | $t_{c(SPC)S}$        | Cycle time, SPICLK  | $4t_{c(LCO)}$         |                  | ns   |
| 13  | $t_{w(SPCH)S}$       | Pulse duration, SPICLK high (clock polarity = 0)                      | $0.5t_{c(SPC)S} - 10$ | $0.5t_{c(SPC)S}$ | ns   |
|     | $t_{w(SPCL)S}$       | Pulse duration, SPICLK low (clock polarity = 1)                       | $0.5t_{c(SPC)S} - 10$ | $0.5t_{c(SPC)S}$ |      |
| 14  | $t_{w(SPCL)S}$       | Pulse duration, SPICLK low (clock polarity = 0)                       | $0.5t_{c(SPC)S} - 10$ | $0.5t_{c(SPC)S}$ | ns   |
|     | $t_{w(SPCH)S}$       | Pulse duration, SPICLK high (clock polarity = 1)                      | $0.5t_{c(SPC)S} - 10$ | $0.5t_{c(SPC)S}$ |      |
| 15  | $t_{d(SPCH-SOMI)S}$  | Delay time, SPICLK high to SPISOMI valid (clock polarity = 0)         |                       |                  | ns   |
|     | $t_{d(SPCL-SOMI)S}$  | Delay time, SPICLK low to SPISOMI valid (clock polarity = 1)          |                       |                  |      |
| 16  | $t_{v(SPCL-SOMI)S}$  | Valid time, SPISOMI data valid after SPICLK low (clock polarity = 0)  | $0.75t_{c(SPC)S}$     |                  | ns   |
|     | $t_{v(SPCH-SOMI)S}$  | Valid time, SPISOMI data valid after SPICLK high (clock polarity = 1) | $0.75t_{c(SPC)S}$     |                  |      |
| 19  | $t_{su(SIMO-SPCL)S}$ | Setup time, SPISIMO before SPICLK low (clock polarity = 0)            | 26                    |                  | ns   |
|     | $t_{su(SIMO-SPCH)S}$ | Setup time, SPISIMO before SPICLK high (clock polarity = 1)           | 26                    |                  |      |
| 20  | $t_{v(SPCL-SIMO)S}$  | Valid time, SPISIMO data valid after SPICLK low (clock polarity = 0)  | $0.5t_{c(SPC)S} - 10$ |                  | ns   |
|     | $t_{v(SPCH-SIMO)S}$  | Valid time, SPISIMO data valid after SPICLK high (clock polarity = 1) | $0.5t_{c(SPC)S} - 10$ |                  |      |

- (1) The MASTER/SLAVE bit (SPICTL.2) is cleared and the CLOCK PHASE bit (SPICTL.3) is cleared.
- (2)  $t_{c(SPC)} = \text{SPI clock cycle time} = \text{LSPCLK}/4$  or  $\text{LSPCLK}/(\text{SPIBRR} + 1)$
- (3) Internal clock prescalers must be adjusted such that the SPI clock speed is limited to the following SPI clock rate:  
 Master mode transmit 20-MHz MAX, master mode receive 10-MHz MAX  
 Slave mode transmit 10-MHz MAX, slave mode receive 10-MHz MAX.
- (4)  $t_{c(LCO)} = \text{LSPCLK cycle time}$
- (5) The active edge of the SPICLK signal referenced is controlled by the CLOCK POLARITY bit (SPICCR.6).



- A. In the slave mode, the SPISTE signal should be asserted low at least  $0.5t_{c(SPC)}$  (minimum) before the valid SPI clock edge and remain low for at least  $0.5t_{c(SPC)}$  after the receiving edge (SPICLK) of the last data bit.

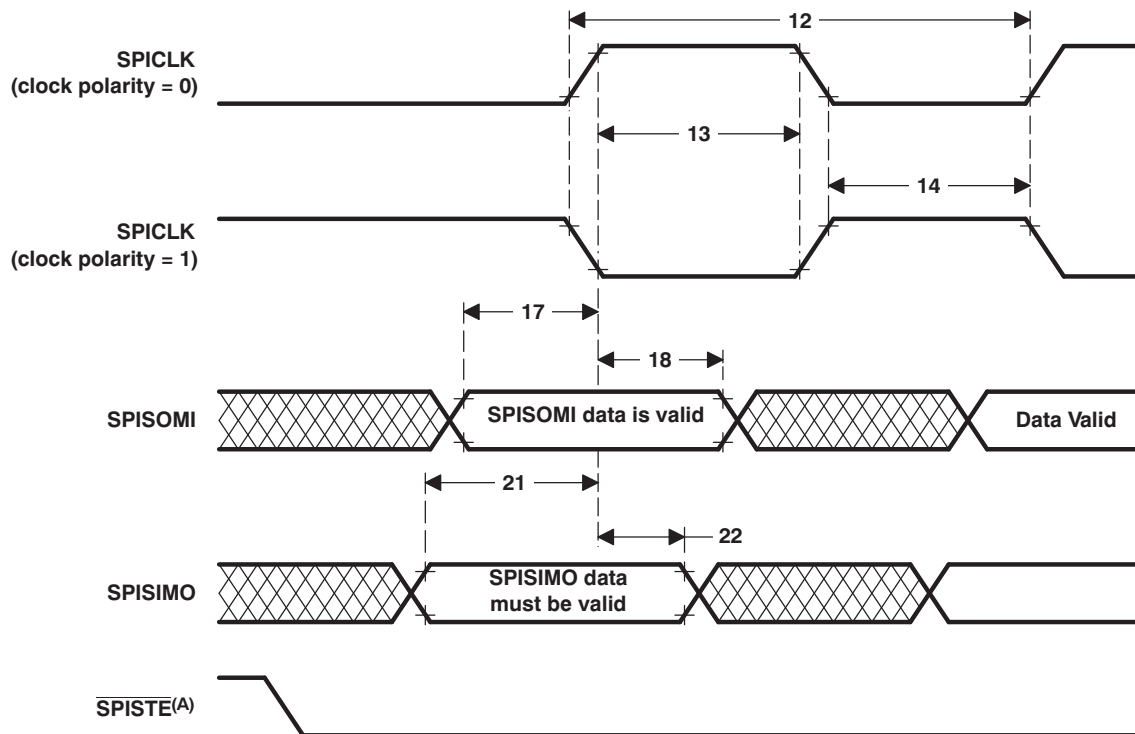
**Figure 6-35. SPI Slave Mode External Timing (Clock Phase = 0)**



Table 6-38. SPI Slave Mode External Timing (Clock Phase = 1)<sup>(1)(2)(3)(4)(5)</sup>

| NO. |                      |   | MIN                   | MAX              | UNIT |
|-----|----------------------|---|-----------------------|------------------|------|
| 12  | $t_{c(SPC)S}$        | Cycle time, SPICLK  | $8t_{c(LCO)}$         |                  | ns   |
| 13  | $t_{w(SPCH)S}$       | Pulse duration, SPICLK high (clock polarity = 0)                      | $0.5t_{c(SPC)S} - 10$ | $0.5t_{c(SPC)S}$ | ns   |
|     | $t_{w(SPCL)S}$       | Pulse duration, SPICLK low (clock polarity = 1)                       | $0.5t_{c(SPC)S} - 10$ | $0.5t_{c(SPC)S}$ |      |
| 14  | $t_{w(SPCL)S}$       | Pulse duration, SPICLK low (clock polarity = 0)                       | $0.5t_{c(SPC)S} - 10$ | $0.5t_{c(SPC)S}$ | ns   |
|     | $t_{w(SPCH)S}$       | Pulse duration, SPICLK high (clock polarity = 1)                      | $0.5t_{c(SPC)S} - 10$ | $0.5t_{c(SPC)S}$ |      |
| 17  | $t_{su(SOMI-SPCH)S}$ | Setup time, SPISOMI before SPICLK high (clock polarity = 0)           | $0.125t_{c(SPC)S}$    |                  | ns   |
|     | $t_{su(SOMI-SPCL)S}$ | Setup time, SPISOMI before SPICLK low (clock polarity = 1)            | $0.125t_{c(SPC)S}$    |                  |      |
| 18  | $t_{v(SPCL-SOMI)S}$  | Valid time, SPISOMI data valid after SPICLK low (clock polarity = 1)  | $0.75t_{c(SPC)S}$     |                  | ns   |
|     | $t_{v(SPCH-SOMI)S}$  | Valid time, SPISOMI data valid after SPICLK high (clock polarity = 0) | $0.75t_{c(SPC)S}$     |                  |      |
| 21  | $t_{su(SIMO-SPCH)S}$ | Setup time, SPISIMO before SPICLK high (clock polarity = 0)           | 26                    |                  | ns   |
|     | $t_{su(SIMO-SPCL)S}$ | Setup time, SPISIMO before SPICLK low (clock polarity = 1)            | 26                    |                  |      |
| 22  | $t_{v(SPCH-SIMO)S}$  | Valid time, SPISIMO data valid after SPICLK high (clock polarity = 0) | $0.5t_{c(SPC)S} - 10$ |                  | ns   |
|     | $t_{v(SPCL-SIMO)S}$  | Valid time, SPISIMO data valid after SPICLK low (clock polarity = 1)  | $0.5t_{c(SPC)S} - 10$ |                  |      |

- (1) The MASTER/SLAVE bit (SPICTL.2) is cleared and the CLOCK PHASE bit (SPICTL.3) is cleared.
- (2)  $t_{c(SPC)} = \text{SPI clock cycle time} = \text{LSPCLK}/4$  or  $\text{LSPCLK}/(\text{SPIBRR} + 1)$
- (3)  $t_{c(LCO)} = \text{LSPCLK cycle time}$
- (4) Internal clock prescalers must be adjusted such that the SPI clock speed is limited to the following SPI clock rate:  
Master mode transmit 20-MHz MAX, master mode receive 10-MHz MAX  
Slave mode transmit 10-MHz MAX, slave mode receive 10-MHz MAX.
- (5) The active edge of the SPICLK signal referenced is controlled by the CLOCK POLARITY bit (SPICCR.6).



- A. In the slave mode, the  $\overline{\text{SPISOME}}(\text{A})$  signal should be asserted low at least  $0.5t_{c(SPC)}$  before the valid SPI clock edge and remain low for at least  $0.5t_{c(SPC)}$  after the receiving edge (SPICLK) of the last data bit.

Figure 6-36. SPI Slave Mode External Timing (Clock Phase = 1)

### 6.9.5 Serial Communications Interface (SCI) Module

The devices include two serial communications interface (SCI) modules (SCI-A, SCI-B). The SCI module supports digital communications between the CPU and other asynchronous peripherals that use the standard non-return-to-zero (NRZ) format. The SCI receiver and transmitter are double-buffered, and each has its own separate enable and interrupt bits. Both can be operated independently or simultaneously in the full-duplex mode. To ensure data integrity, the SCI checks received data for break detection, parity, overrun, and framing errors. The bit rate is programmable to over 65000 different speeds through a 16-bit baud-select register.

Features of each SCI module include:

- Two external pins:
    - SCITXD: SCI transmit-output pin
    - SCIRXD: SCI receive-input pin
- NOTE:** Both pins can be used as GPIO if not used for SCI.
- Baud rate programmable to 64K different rates:

$$\text{Baud rate} = \frac{\text{LSPCLK}}{(\text{BRR} + 1) * 8} \quad \text{when BRR} \neq 0$$

$$\text{Baud rate} = \frac{\text{LSPCLK}}{16} \quad \text{when BRR} = 0$$

- Data-word format
  - One start bit
  - Data-word length programmable from 1 to 8 bits
  - Optional even/odd/no parity bit
  - One or two stop bits
- Four error-detection flags: parity, overrun, framing, and break detection
- Two wake-up multiprocessor modes: idle-line and address bit
- Half- or full-duplex operation
- Double-buffered receive and transmit functions
- Transmitter and receiver operations can be accomplished through interrupt-driven or polled algorithms with status flags.
  - Transmitter: TXRDY flag (transmitter-buffer register is ready to receive another character) and TX EMPTY flag (transmitter-shift register is empty)
  - Receiver: RXRDY flag (receiver-buffer register is ready to receive another character), BRKDT flag (break condition occurred), and RX ERROR flag (monitoring four interrupt conditions)
- Separate enable bits for transmitter and receiver interrupts (except BRKDT)
- NRZ (non-return-to-zero) format

#### NOTE

All registers in this module are 8-bit registers that are connected to Peripheral Frame 2. When a register is accessed, the register data is in the lower byte (7–0), and the upper byte (15–8) is read as zeros. Writing to the upper byte has no effect.

Enhanced features:

- Auto baud-detect hardware logic
- 4-level transmit/receive FIFO

The SCI port operation is configured and controlled by the registers listed in [Table 6-39](#) and [Table 6-40](#).

**Table 6-39. SCI-A Registers<sup>(1)</sup>**

| NAME                    | ADDRESS | SIZE (x16) | EALLOW PROTECTED | DESCRIPTION                                  |
|-------------------------|---------|------------|------------------|--|
| SCICCRA                 | 0x7050  | 1          | No               | SCI-A Communications Control Register        |
| SCICTL1A                | 0x7051  | 1          | No               | SCI-A Control Register 1                     |
| SCIHBAUDA               | 0x7052  | 1          | No               | SCI-A Baud Register, High Bits               |
| SCILBAUDA               | 0x7053  | 1          | No               | SCI-A Baud Register, Low Bits                |
| SCICTL2A                | 0x7054  | 1          | No               | SCI-A Control Register 2                     |
| SCIRXSTA                | 0x7055  | 1          | No               | SCI-A Receive Status Register                |
| SCIRXEMUA               | 0x7056  | 1          | No               | SCI-A Receive Emulation Data Buffer Register |
| SCIRXBUFA               | 0x7057  | 1          | No               | SCI-A Receive Data Buffer Register           |
| SCITXBUFA               | 0x7059  | 1          | No               | SCI-A Transmit Data Buffer Register          |
| SCIFFTXA <sup>(2)</sup> | 0x705A  | 1          | No               | SCI-A FIFO Transmit Register                 |
| SCIFFRXA <sup>(2)</sup> | 0x705B  | 1          | No               | SCI-A FIFO Receive Register                  |
| SCIFFCTA <sup>(2)</sup> | 0x705C  | 1          | No               | SCI-A FIFO Control Register                  |
| SCIPRIA                 | 0x705F  | 1          | No               | SCI-A Priority Control Register              |

(1) Registers in this table are mapped to Peripheral Frame 2 space. This space only allows 16-bit accesses. 32-bit accesses produce undefined results.

(2) These registers are new registers for the FIFO mode.

**Table 6-40. SCI-B Registers<sup>(1)</sup>**

| NAME                    | ADDRESS | SIZE (x16) | DESCRIPTION                                  |
|-------------------------|---------|------------|--|
| SCICCRB                 | 0x7750  | 1          | SCI-B Communications Control Register        |
| SCICTL1B                | 0x7751  | 1          | SCI-B Control Register 1                     |
| SCIHBAUDB               | 0x7752  | 1          | SCI-B Baud Register, High Bits               |
| SCILBAUDB               | 0x7753  | 1          | SCI-B Baud Register, Low Bits                |
| SCICTL2B                | 0x7754  | 1          | SCI-B Control Register 2                     |
| SCIRXSTB                | 0x7755  | 1          | SCI-B Receive Status Register                |
| SCIRXEMUB               | 0x7756  | 1          | SCI-B Receive Emulation Data Buffer Register |
| SCIRXBUFB               | 0x7757  | 1          | SCI-B Receive Data Buffer Register           |
| SCITXBUFB               | 0x7759  | 1          | SCI-B Transmit Data Buffer Register          |
| SCIFFTXB <sup>(2)</sup> | 0x775A  | 1          | SCI-B FIFO Transmit Register                 |
| SCIFFRXB <sup>(2)</sup> | 0x775B  | 1          | SCI-B FIFO Receive Register                  |
| SCIFFCTB <sup>(2)</sup> | 0x775C  | 1          | SCI-B FIFO Control Register                  |
| SCIPRIB                 | 0x775F  | 1          | SCI-B Priority Control Register              |

(1) Registers in this table are mapped to Peripheral Frame 2 space. This space only allows 16-bit accesses. 32-bit accesses produce undefined results.

(2) These registers are new registers for the FIFO mode.

Figure 6-37 shows the SCI module block diagram.

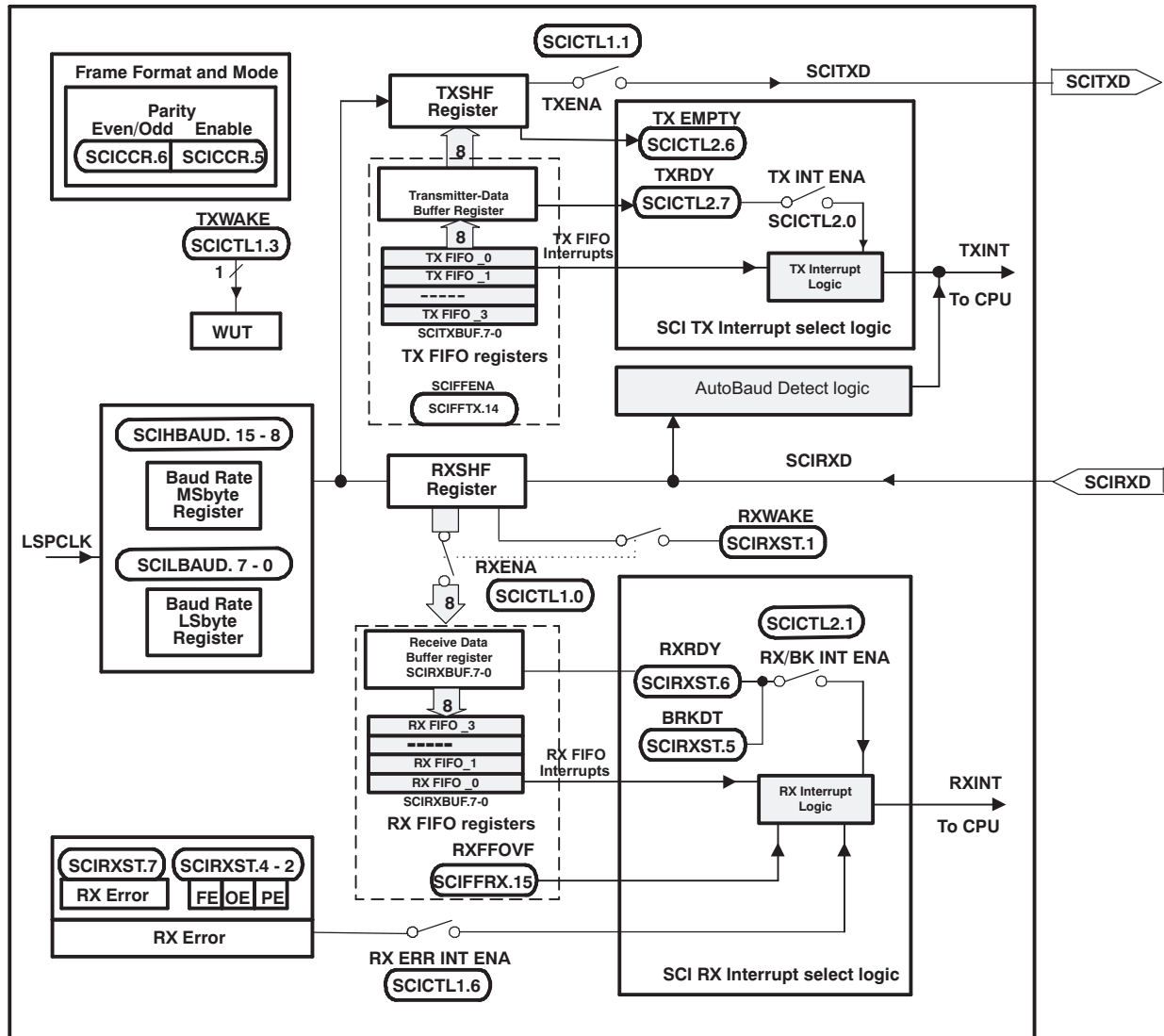


Figure 6-37. Serial Communications Interface (SCI) Module Block Diagram

### 6.9.6 Multichannel Buffered Serial Port (McBSP) Module

The McBSP module has the following features:

- Compatible to McBSP in TMS320C28x/TMS320F28x DSP devices
- Full-duplex communication
- Double-buffered data registers that allow a continuous data stream
- Independent framing and clocking for receive and transmit
- External shift clock generation or an internal programmable frequency shift clock
- A wide selection of data sizes including 8-, 12-, 16-, 20-, 24-, or 32-bits
- 8-bit data transfers with LSB or MSB first
- Programmable polarity for both frame synchronization and data clocks
- Highly programmable internal clock and frame generation
- Direct interface to industry-standard CODECs, Analog Interface Chips (AICs), and other serially connected analog-to-digital (A/D) and digital-to-analog (D/A) devices
- Works with SPI-compatible devices
- The following application interfaces can be supported on the McBSP:
  - T1/E1 framers
  - IOM-2 compliant devices
  - AC97-compliant devices (the necessary multiphase frame synchronization capability is provided.)
  - IIS-compliant devices
  - SPI
- McBSP clock rate,

$$\text{CLKG} = \frac{\text{CLKSRG}}{(1 + \text{CLKGDV})}$$

where CLKSRG source could be LSPCLK, CLKX, or CLKR. Serial port performance is limited by I/O buffer switching speed. Internal prescalers must be adjusted such that the peripheral speed is less than the I/O buffer speed limit.

---

**NOTE**

See [Section 6.9](#) for maximum I/O pin toggling speed.

---



---

**NOTE**

On the 80-pin package, only the clock-stop mode (SPI) of the McBSP is supported.

---

Figure 6-38 shows the block diagram of the McBSP module.

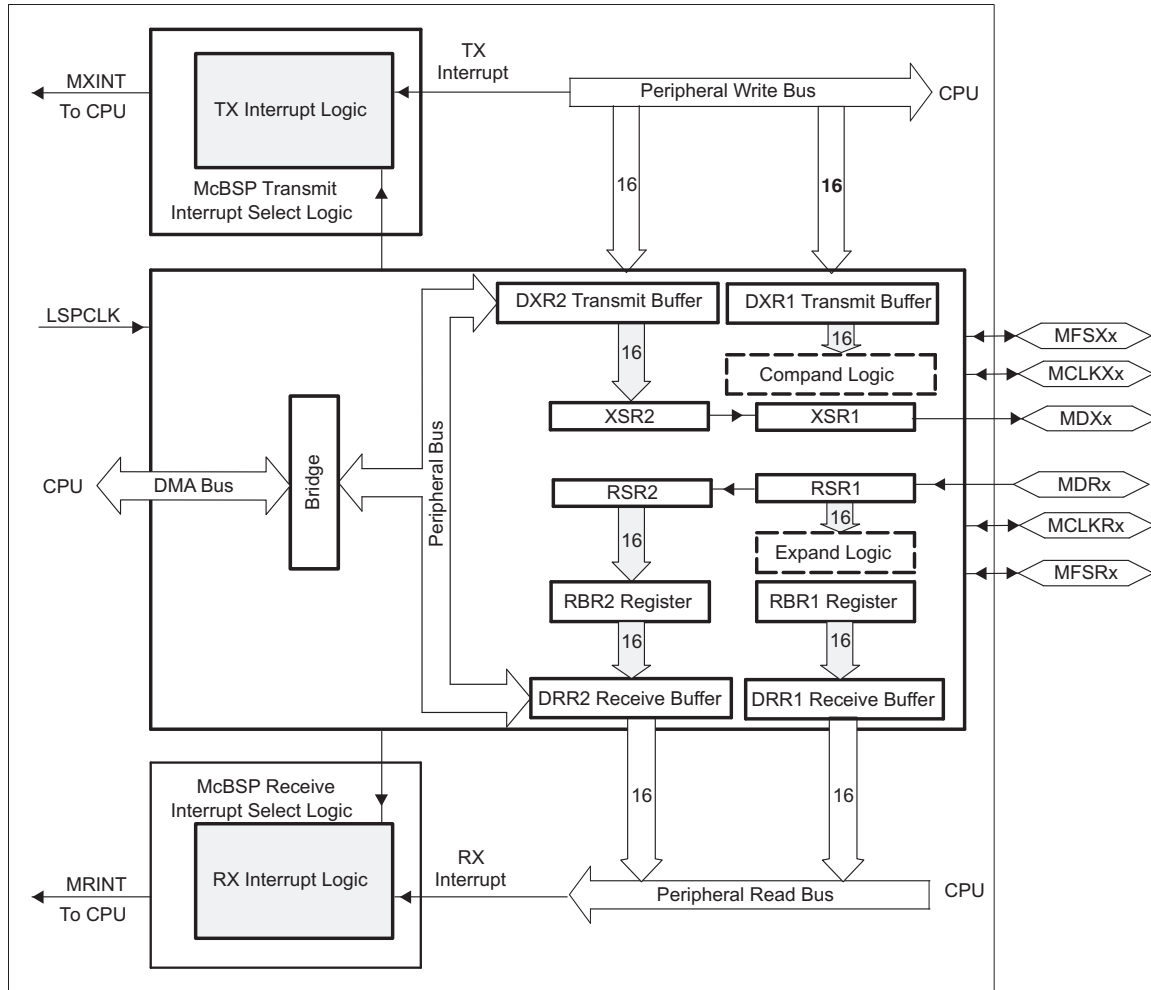


Figure 6-38. McBSP Module

Table 6-41 provides a summary of the McBSP registers.

**Table 6-41. McBSP Register Summary**

| NAME                                     | McBSP-A ADDRESS | TYPE | RESET VALUE | DESCRIPTION  |
|--|-----------------|------|-------------|--|
| <b>Data Registers, Receive, Transmit</b> |                 |      |             |  |
| DRR2                                     | 0x5000          | R    | 0x0000      | McBSP Data Receive Register 2                      |
| DRR1                                     | 0x5001          | R    | 0x0000      | McBSP Data Receive Register 1                      |
| DXR2                                     | 0x5002          | W    | 0x0000      | McBSP Data Transmit Register 2                     |
| DXR1                                     | 0x5003          | W    | 0x0000      | McBSP Data Transmit Register 1                     |
| <b>McBSP Control Registers</b>           |                 |      |             |  |
| SPCR2                                    | 0x5004          | R/W  | 0x0000      | McBSP Serial Port Control Register 2               |
| SPCR1                                    | 0x5005          | R/W  | 0x0000      | McBSP Serial Port Control Register 1               |
| RCR2                                     | 0x5006          | R/W  | 0x0000      | McBSP Receive Control Register 2                   |
| RCR1                                     | 0x5007          | R/W  | 0x0000      | McBSP Receive Control Register 1                   |
| XCR2                                     | 0x5008          | R/W  | 0x0000      | McBSP Transmit Control Register 2                  |
| XCR1                                     | 0x5009          | R/W  | 0x0000      | McBSP Transmit Control Register 1                  |
| SRGR2                                    | 0x500A          | R/W  | 0x0000      | McBSP Sample Rate Generator Register 2             |
| SRGR1                                    | 0x500B          | R/W  | 0x0000      | McBSP Sample Rate Generator Register 1             |
| <b>Multichannel Control Registers</b>    |                 |      |             |  |
| MCR2                                     | 0x500C          | R/W  | 0x0000      | McBSP Multichannel Register 2                      |
| MCR1                                     | 0x500D          | R/W  | 0x0000      | McBSP Multichannel Register 1                      |
| RCERA                                    | 0x500E          | R/W  | 0x0000      | McBSP Receive Channel Enable Register Partition A  |
| RCERB                                    | 0x500F          | R/W  | 0x0000      | McBSP Receive Channel Enable Register Partition B  |
| XCERA                                    | 0x5010          | R/W  | 0x0000      | McBSP Transmit Channel Enable Register Partition A |
| XCERB                                    | 0x5011          | R/W  | 0x0000      | McBSP Transmit Channel Enable Register Partition B |
| PCR                                      | 0x5012          | R/W  | 0x0000      | McBSP Pin Control Register                         |
| RCERC                                    | 0x5013          | R/W  | 0x0000      | McBSP Receive Channel Enable Register Partition C  |
| RCERD                                    | 0x5014          | R/W  | 0x0000      | McBSP Receive Channel Enable Register Partition D  |
| XCERC                                    | 0x5015          | R/W  | 0x0000      | McBSP Transmit Channel Enable Register Partition C |
| XCERD                                    | 0x5016          | R/W  | 0x0000      | McBSP Transmit Channel Enable Register Partition D |
| RCERE                                    | 0x5017          | R/W  | 0x0000      | McBSP Receive Channel Enable Register Partition E  |
| RCERF                                    | 0x5018          | R/W  | 0x0000      | McBSP Receive Channel Enable Register Partition F  |
| XCERE                                    | 0x5019          | R/W  | 0x0000      | McBSP Transmit Channel Enable Register Partition E |
| XCERF                                    | 0x501A          | R/W  | 0x0000      | McBSP Transmit Channel Enable Register Partition F |
| RCERG                                    | 0x501B          | R/W  | 0x0000      | McBSP Receive Channel Enable Register Partition G  |
| RCERH                                    | 0x501C          | R/W  | 0x0000      | McBSP Receive Channel Enable Register Partition H  |
| XCERG                                    | 0x501D          | R/W  | 0x0000      | McBSP Transmit Channel Enable Register Partition G |
| XCERH                                    | 0x501E          | R/W  | 0x0000      | McBSP Transmit Channel Enable Register Partition H |
| MFFINT                                   | 0x5023          | R/W  | 0x0000      | McBSP Interrupt Enable Register                    |

### 6.9.6.1 McBSP Electrical Data/Timing

#### 6.9.6.1.1 McBSP Transmit and Receive Timing

**Table 6-42. McBSP Timing Requirements<sup>(1)(2)</sup>**

| NO. |  |   | MIN               | MAX                  | UNIT |
|-----|--|---|-------------------|----------------------|------|
|     | McBSP module clock (CLKG, CLKX, CLKR) range      |   | 1                 |                      | kHz  |
|     |  |   |                   | 20 <sup>(3)(4)</sup> |      |
|     | McBSP module cycle time (CLKG, CLKX, CLKR) range |   | 50 <sup>(4)</sup> |                      | ns   |
|     |  |   |                   | 1                    | ms   |
| M11 | $t_{c(CKRX)}$                                    | Cycle time, CLKR/X                            | CLKR/X ext        | 2P                   | ns   |
| M12 | $t_{w(CKRX)}$                                    | Pulse duration, CLKR/X high or CLKR/X low     | CLKR/X ext        | P – 7                | ns   |
| M13 | $t_{r(CKRX)}$                                    | Rise time, CLKR/X                             | CLKR/X ext        |                      | 7 ns |
| M14 | $t_{f(CKRX)}$                                    | Fall time, CLKR/X                             | CLKR/X ext        |                      | 7 ns |
| M15 | $t_{su(FRH-CKRL)}$                               | Setup time, external FSR high before CLKR low | CLKR int          | 18                   | ns   |
|     |  |   | CLKR ext          | 2                    |      |
| M16 | $t_{h(CKRL-FRH)}$                                | Hold time, external FSR high after CLKR low   | CLKR int          | 0                    | ns   |
|     |  |   | CLKR ext          | 6                    |      |
| M17 | $t_{su(DRV-CKRL)}$                               | Setup time, DR valid before CLKR low          | CLKR int          | 18                   | ns   |
|     |  |   | CLKR ext          | 2                    |      |
| M18 | $t_{h(CKRL-DRV)}$                                | Hold time, DR valid after CLKR low            | CLKR int          | 0                    | ns   |
|     |  |   | CLKR ext          | 6                    |      |
| M19 | $t_{su(FXH-CKXL)}$                               | Setup time, external FSX high before CLKX low | CLKX int          | 18                   | ns   |
|     |  |   | CLKX ext          | 2                    |      |
| M20 | $t_{h(CKXL-FXH)}$                                | Hold time, external FSX high after CLKX low   | CLKX int          | 0                    | ns   |
|     |  |   | CLKX ext          | 6                    |      |

- (1) Polarity bits CLKRP = CLKXP = FSRP = FSXP = 0. If the polarity of any of the signals is inverted, then the timing references of that signal are also inverted.
- (2)  $2P = 1/CLKG$  in ns. CLKG is the output of sample rate generator mux.  $CLKG = CLKSRG/(1 + CLKGDV)$ . CLKSRG can be LSPCLK, CLKX, CLKR as source.  $CLKSRG \leq (SYSCLKOUT/2)$ . McBSP performance is limited by I/O buffer switching speed.
- (3) Internal clock prescalers must be adjusted such that the McBSP clock (CLKG, CLKX, CLKR) speeds are not greater than the I/O buffer speed limit (20 MHz).
- (4) Maximum McBSP module clock frequency decreases to 10 MHz for internal CLKR.



**Table 6-43. McBSP Switching Characteristics<sup>(1)(2)</sup>**

over recommended operating conditions (unless otherwise noted)

| NO. | PARAMETER            |   | MIN        | MAX                                       | UNIT   |    |    |
|-----|----------------------|---|------------|---|--------|----|----|
| M1  | $t_{c(CKRX)}$        | Cycle time, CLKR/X  | CLKR/X int | 2P  | ns     |    |    |
| M2  | $t_{w(CKRXH)}$       | Pulse duration, CLKR/X high   | CLKR/X int | D – 5 <sup>(3)</sup> D + 5 <sup>(3)</sup> | ns     |    |    |
| M3  | $t_{w(CKRXL)}$       | Pulse duration, CLKR/X low  | CLKR/X int | C – 5 <sup>(3)</sup> C + 5 <sup>(3)</sup> | ns     |    |    |
| M4  | $t_{d(CKRH-FRV)}$    | Delay time, CLKR high to internal FSR valid   | CLKR int   | 0   | 4      | ns |    |
|     |                      |   | CLKR ext   | 3   | 27     |    |    |
| M5  | $t_{d(CKXH-FXV)}$    | Delay time, CLKX high to internal FSX valid   | CLKX int   | 0   | 4      | ns |    |
|     |                      |   | CLKX ext   | 3   | 27     |    |    |
| M6  | $t_{dis(CKXH-DXHZ)}$ | Disable time, CLKX high to DX high impedance following last data bit                                    | CLKX int   |   | 8      | ns |    |
|     |                      |   | CLKX ext   |   | 14     |    |    |
| M7  | $t_{d(CKXH-DXV)}$    | Delay time, CLKX high to DX valid.<br>This applies to all bits except the first bit transmitted.        | CLKX int   |   | 9      | ns |    |
|     |                      |   | CLKX ext   |   | 28     |    |    |
|     |                      | Delay time, CLKX high to DX valid<br>DXENA = 0  | CLKX int   |   | 8      |    | ns |
|     |                      |   | CLKX ext   |   | 14     |    |    |
|     |                      | Only applies to first bit transmitted when in Data Delay 1 or 2 (XDATDLY=01b or 10b) modes<br>DXENA = 1 | CLKX int   |   | P + 8  |    | ns |
|     |                      |   | CLKX ext   |   | P + 14 |    |    |
| M8  | $t_{en(CKXH-DX)}$    | Enable time, CLKX high to DX driven<br>DXENA = 0  | CLKX int   | 0   | ns     |    |    |
|     |                      |   | CLKX ext   | 6   |        |    |    |
|     |                      | Only applies to first bit transmitted when in Data Delay 1 or 2 (XDATDLY=01b or 10b) modes<br>DXENA = 1 | CLKX int   | P   |        | ns |    |
|     |                      |   | CLKX ext   | P + 6                                     |        |    |    |
| M9  | $t_{d(FXH-DXV)}$     | Delay time, FSX high to DX valid<br>DXENA = 0   | FSX int    |   | 8      | ns |    |
|     |                      |   | FSX ext    |   | 14     |    |    |
|     |                      | Only applies to first bit transmitted when in Data Delay 0 (XDATDLY=00b) mode.<br>DXENA = 1             | FSX int    |   | P + 8  |    | ns |
|     |                      |   | FSX ext    |   | P + 14 |    |    |
| M10 | $t_{en(FXH-DX)}$     | Enable time, FSX high to DX driven<br>DXENA = 0   | FSX int    | 0   | ns     |    |    |
|     |                      |   | FSX ext    | 6   |        |    |    |
|     |                      | Only applies to first bit transmitted when in Data Delay 0 (XDATDLY=00b) mode<br>DXENA = 1              | FSX int    | P   |        | ns |    |
|     |                      |   | FSX ext    | P + 6                                     |        |    |    |

(1) Polarity bits CLKRP = CLKXP = FSRP = FSXP = 0. If the polarity of any of the signals is inverted, then the timing references of that signal are also inverted.

(2) 2P = 1/CLKG in ns.

(3) C = CLKRX low pulse width = P

D = CLKRX high pulse width = P

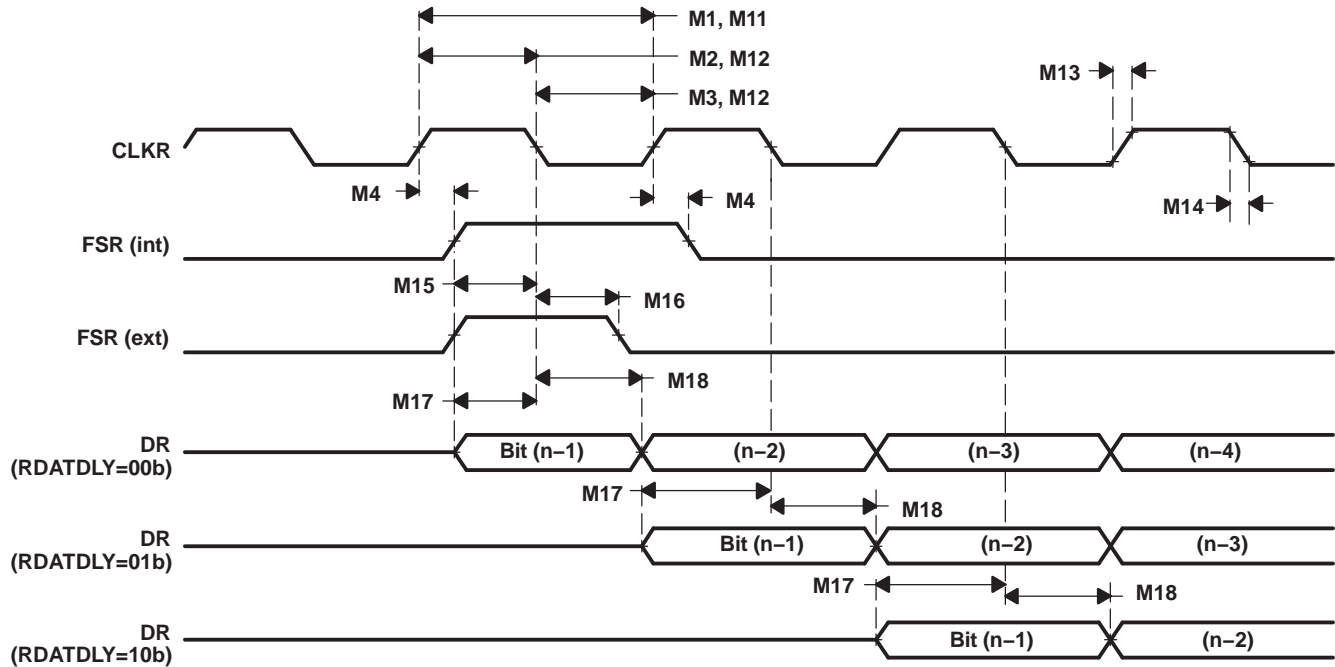


Figure 6-39. McBSP Receive Timing

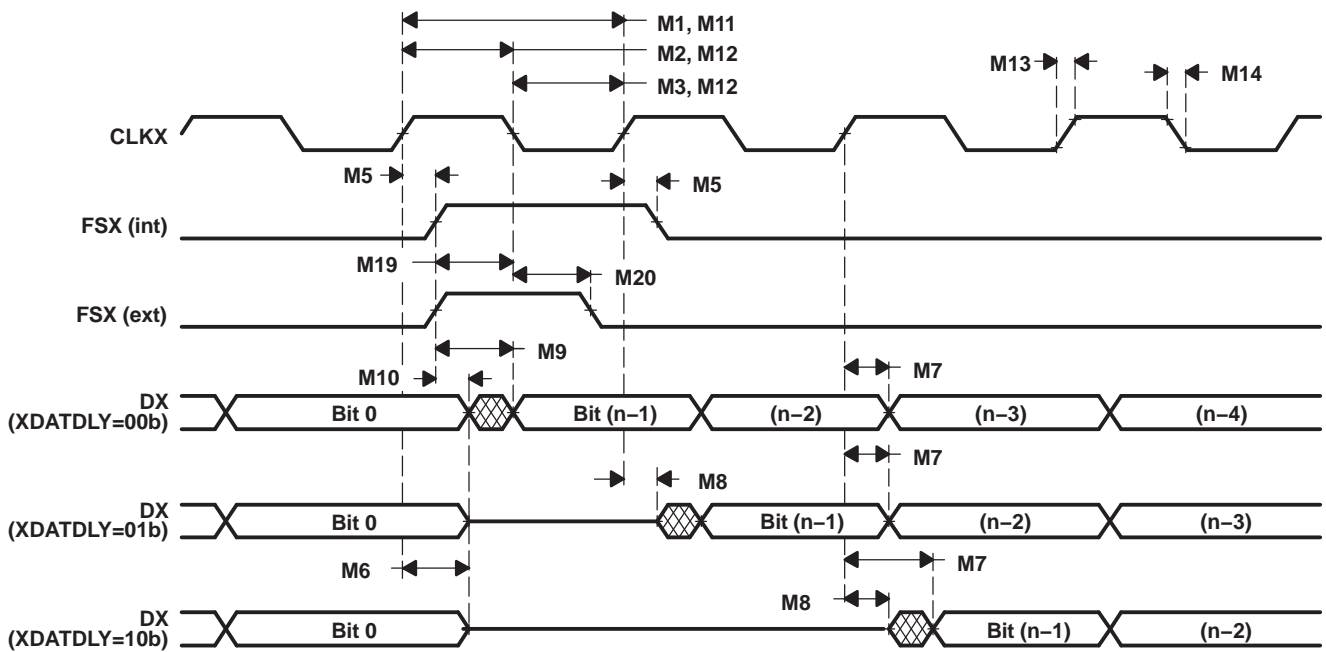


Figure 6-40. McBSP Transmit Timing

6.9.6.1.2 McBSP as SPI Master or Slave Timing

Table 6-44. McBSP as SPI Master or Slave Timing Requirements (CLKSTP = 10b, CLKXP = 0)<sup>(1)</sup>

| NO. |                     |                                      | MASTER            |     | SLAVE   |     | UNIT |
|-----|---------------------|--------------------------------------|-------------------|-----|---------|-----|------|
|     |                     |                                      | MIN               | MAX | MIN     | MAX |      |
| M30 | $t_{su}(DRV-CKXL)$  | Setup time, DR valid before CLKX low | 30                |     | 8P – 10 |     | ns   |
| M31 | $t_h(CKXL-DRV)$     | Hold time, DR valid after CLKX low   | 1                 |     | 8P – 10 |     | ns   |
| M32 | $t_{su}(BFXL-CKXH)$ | Setup time, FSX low before CLKX high |                   |     | 8P + 10 |     | ns   |
| M33 | $t_c(CKX)$          | Cycle time, CLKX                     | 2P <sup>(2)</sup> |     | 16P     |     | ns   |

- (1) For all SPI slave modes, CLKX has to be a minimum of 8 CLKG cycles. Furthermore, CLKG should be LSPCLK/2 by setting CLKSM = CLKGDV = 1.
- (2) 2P = 1/CLKG

Table 6-45. McBSP as SPI Master or Slave Switching Characteristics (CLKSTP = 10b, CLKXP = 0)

over recommended operating conditions (unless otherwise noted)

| NO. | PARAMETER           | MASTER            |     | SLAVE  |         | UNIT |
|-----|---------------------|-------------------|-----|--------|---------|------|
|     |                     | MIN               | MAX | MIN    | MAX     |      |
| M24 | $t_h(CKXL-FXL)$     | 2P <sup>(1)</sup> |     |        |         | ns   |
| M25 | $t_d(FXL-CKXH)$     | P                 |     |        |         | ns   |
| M26 | $t_d(CKXH-DXV)$     | -2                | 0   | 3P + 6 | 5P + 20 | ns   |
| M28 | $t_{dis}(FXH-DXHZ)$ | 6                 |     | 6P + 6 |         | ns   |
| M29 | $t_d(FXL-DXV)$      | 6                 |     | 4P + 6 |         | ns   |

- (1) 2P = 1/CLKG

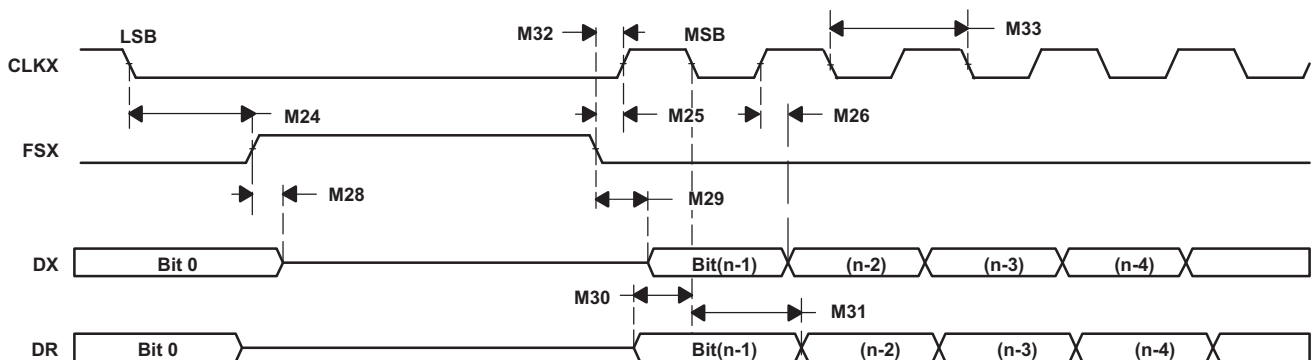


Figure 6-41. McBSP Timing as SPI Master or Slave: CLKSTP = 10b, CLKXP = 0

**Table 6-46. McBSP as SPI Master or Slave Timing Requirements (CLKSTP = 11b, CLKXP = 0)<sup>(1)</sup>**

| NO. |                    |                                       | MASTER            |     | SLAVE    |     | UNIT |
|-----|--------------------|---------------------------------------|-------------------|-----|----------|-----|------|
|     |                    |                                       | MIN               | MAX | MIN      | MAX |      |
| M39 | $t_{su}(DRV-CKXH)$ | Setup time, DR valid before CLKX high | 30                |     | 8P – 10  |     | ns   |
| M40 | $t_h(CKXH-DRV)$    | Hold time, DR valid after CLKX high   | 1                 |     | 8P – 10  |     | ns   |
| M41 | $t_{su}(FXL-CKXH)$ | Setup time, FSX low before CLKX high  |                   |     | 16P + 10 |     | ns   |
| M42 | $t_c(CKX)$         | Cycle time, CLKX                      | 2P <sup>(2)</sup> |     | 16P      |     | ns   |

(1) For all SPI slave modes, CLKX has to be a minimum of 8 CLKG cycles. Furthermore, CLKG should be LSPCLK/2 by setting CLKSM = CLKGDV = 1.

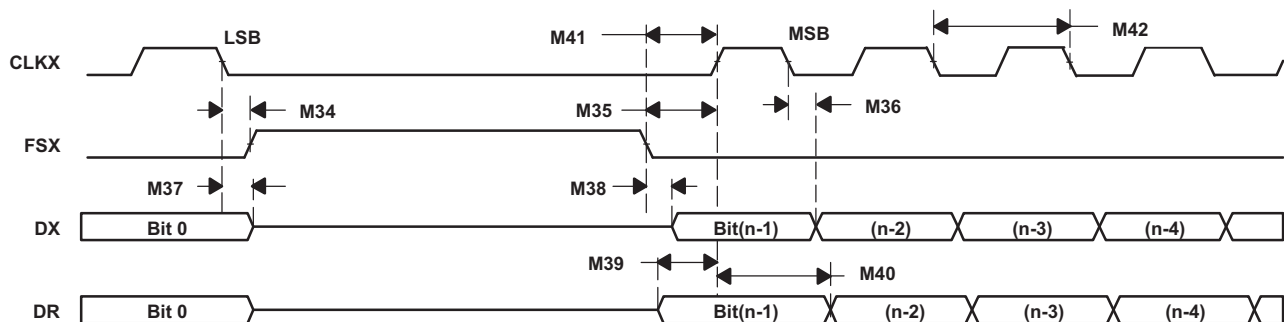
(2) 2P = 1/CLKG

**Table 6-47. McBSP as SPI Master or Slave Switching Characteristics (CLKSTP = 11b, CLKXP = 0)**

over recommended operating conditions (unless otherwise noted)

| NO. | PARAMETER            | MASTER            |     | SLAVE  |         | UNIT |
|-----|----------------------|-------------------|-----|--------|---------|------|
|     |                      | MIN               | MAX | MIN    | MAX     |      |
| M34 | $t_h(CKXL-FXL)$      | P                 |     |        |         | ns   |
| M35 | $t_d(FXL-CKXH)$      | 2P <sup>(1)</sup> |     |        |         | ns   |
| M36 | $t_d(CKXL-DXV)$      | -2                | 0   | 3P + 6 | 5P + 20 | ns   |
| M37 | $t_{dis}(CKXL-DXHZ)$ | P + 6             |     | 7P + 6 |         | ns   |
| M38 | $t_d(FXL-DXV)$       | 6                 |     | 4P + 6 |         | ns   |

(1) 2P = 1/CLKG



**Figure 6-42. McBSP Timing as SPI Master or Slave: CLKSTP = 11b, CLKXP = 0**

**Table 6-48. McBSP as SPI Master or Slave Timing Requirements (CLKSTP = 10b, CLKXP = 1)<sup>(1)</sup>**

| NO. |                    |                                       | MASTER            |     | SLAVE   |     | UNIT |
|-----|--------------------|---------------------------------------|-------------------|-----|---------|-----|------|
|     |                    |                                       | MIN               | MAX | MIN     | MAX |      |
| M49 | $t_{su(DRV-CKXH)}$ | Setup time, DR valid before CLKX high | 30                |     | 8P – 10 |     | ns   |
| M50 | $t_h(CKXH-DRV)$    | Hold time, DR valid after CLKX high   | 1                 |     | 8P – 10 |     | ns   |
| M51 | $t_{su(FXL-CKXL)}$ | Setup time, FSX low before CLKX low   |                   |     | 8P + 10 |     | ns   |
| M52 | $t_c(CKX)$         | Cycle time, CLKX                      | 2P <sup>(2)</sup> |     | 16P     |     | ns   |

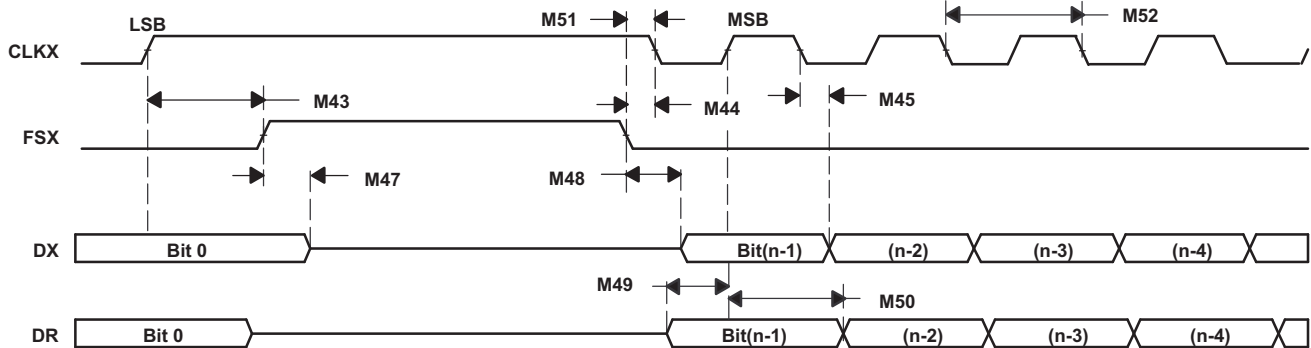
- (1) For all SPI slave modes, CLKX has to be a minimum of 8 CLKG cycles. Furthermore, CLKG should be LSPCLK/2 by setting CLKSM = CLKGDV = 1.  
 (2) 2P = 1/CLKG

**Table 6-49. McBSP as SPI Master or Slave Switching Characteristics (CLKSTP = 10b, CLKXP = 1)**

over recommended operating conditions (unless otherwise noted)

| NO. | PARAMETER           | MASTER            |     | SLAVE  |         | UNIT |
|-----|---------------------|-------------------|-----|--------|---------|------|
|     |                     | MIN               | MAX | MIN    | MAX     |      |
| M43 | $t_h(CKXH-FXL)$     | 2P <sup>(1)</sup> |     |        |         | ns   |
| M44 | $t_d(FXL-CKXL)$     | P                 |     |        |         | ns   |
| M45 | $t_d(CKXL-DXV)$     | -2                | 0   | 3P + 6 | 5P + 20 | ns   |
| M47 | $t_{dis}(FXH-DXHZ)$ | 6                 |     | 6P + 6 |         | ns   |
| M48 | $t_d(FXL-DXV)$      | 6                 |     | 4P + 6 |         | ns   |

- (1) 2P = 1/CLKG



**Figure 6-43. McBSP Timing as SPI Master or Slave: CLKSTP = 10b, CLKXP = 1**

**Table 6-50. McBSP as SPI Master or Slave Timing Requirements (CLKSTP = 11b, CLKXP = 1)<sup>(1)</sup>**

| NO. |                    |                                      | MASTER            |     | SLAVE    |     | UNIT |
|-----|--------------------|--------------------------------------|-------------------|-----|----------|-----|------|
|     |                    |                                      | MIN               | MAX | MIN      | MAX |      |
| M58 | $t_{su(DRV-CKXL)}$ | Setup time, DR valid before CLKX low | 30                |     | 8P – 10  |     | ns   |
| M59 | $t_{h(CKXL-DRV)}$  | Hold time, DR valid after CLKX low   | 1                 |     | 8P – 10  |     | ns   |
| M60 | $t_{su(FXL-CKXL)}$ | Setup time, FSX low before CLKX low  |                   |     | 16P + 10 |     | ns   |
| M61 | $t_{c(CKX)}$       | Cycle time, CLKX                     | 2P <sup>(2)</sup> |     | 16P      |     | ns   |

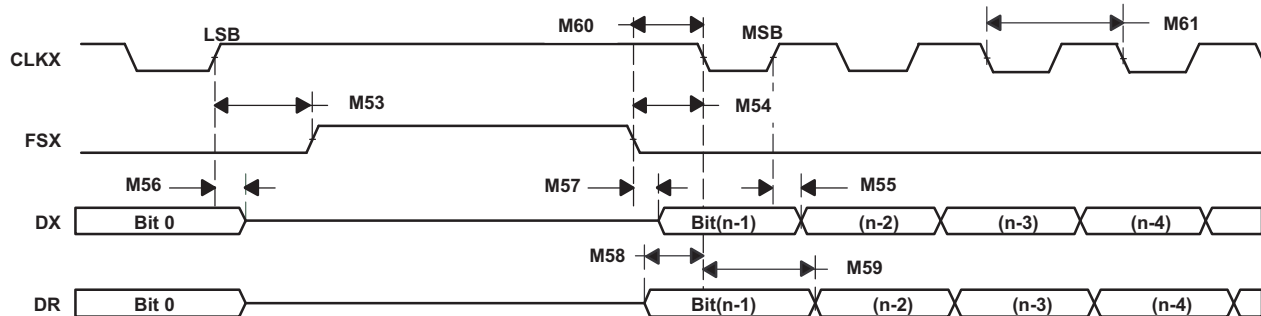
- (1) For all SPI slave modes, CLKX has to be a minimum of 8 CLKG cycles. Furthermore, CLKG should be LSPCLK/2 by setting CLKSM = CLKGDV = 1.  
 (2) 2P = 1/CLKG

**Table 6-51. McBSP as SPI Master or Slave Switching Characteristics (CLKSTP = 11b, CLKXP = 1)<sup>(1)</sup>**

over recommended operating conditions (unless otherwise noted)

| NO. | PARAMETER            | MASTER   |                   | SLAVE |        | UNIT    |    |
|-----|----------------------|--|-------------------|-------|--------|---------|----|
|     |                      | MIN  | MAX               | MIN   | MAX    |         |    |
| M53 | $t_{h(CKXH-FXL)}$    | Hold time, FSX low after CLKX high                                     | P                 |       |        | ns      |    |
| M54 | $t_{d(FXL-CKXL)}$    | Delay time, FSX low to CLKX low  | 2P <sup>(1)</sup> |       |        | ns      |    |
| M55 | $t_{d(CKXH-DXV)}$    | Delay time, CLKX high to DX valid                                      | -2                | 0     | 3P + 6 | 5P + 20 | ns |
| M56 | $t_{dis(CKXH-DXHZ)}$ | Disable time, DX high impedance following last data bit from CLKX high | P + 6             |       | 7P + 6 |         | ns |
| M57 | $t_{d(FXL-DXV)}$     | Delay time, FSX low to DX valid  | 6                 |       | 4P + 6 |         | ns |

- (1) 2P = 1/CLKG



**Figure 6-44. McBSP Timing as SPI Master or Slave: CLKSTP = 11b, CLKXP = 1**

### 6.9.7 Enhanced Controller Area Network (eCAN) Module

The CAN module (eCAN-A) has the following features:

- Fully compliant with CAN protocol, version 2.0B
- Supports data rates up to 1 Mbps
- Thirty-two mailboxes, each with the following properties:
  - Configurable as receive or transmit
  - Configurable with standard or extended identifier
  - Has a programmable receive mask
  - Supports data and remote frame
  - Composed of 0 to 8 bytes of data
  - Uses a 32-bit time stamp on receive and transmit message
  - Protects against reception of new message
  - Holds the dynamically programmable priority of transmit message
  - Employs a programmable interrupt scheme with two interrupt levels
  - Employs a programmable alarm on transmission or reception time-out
- Low-power mode
- Programmable wake-up on bus activity
- Automatic reply to a remote request message
- Automatic retransmission of a frame in case of loss of arbitration or error
- 32-bit local network time counter synchronized by a specific message (communication in conjunction with mailbox 16)
- Self-test mode
  - Operates in a loopback mode receiving its own message. A "dummy" acknowledge is provided, thereby eliminating the need for another node to provide the acknowledge bit.

---

#### NOTE

For a SYSCLKOUT of 90 MHz, the smallest bit rate possible is 6.25 kbps.

---

The F2806x CAN has passed the conformance test per ISO/DIS 16845. Contact TI for test report and exceptions.

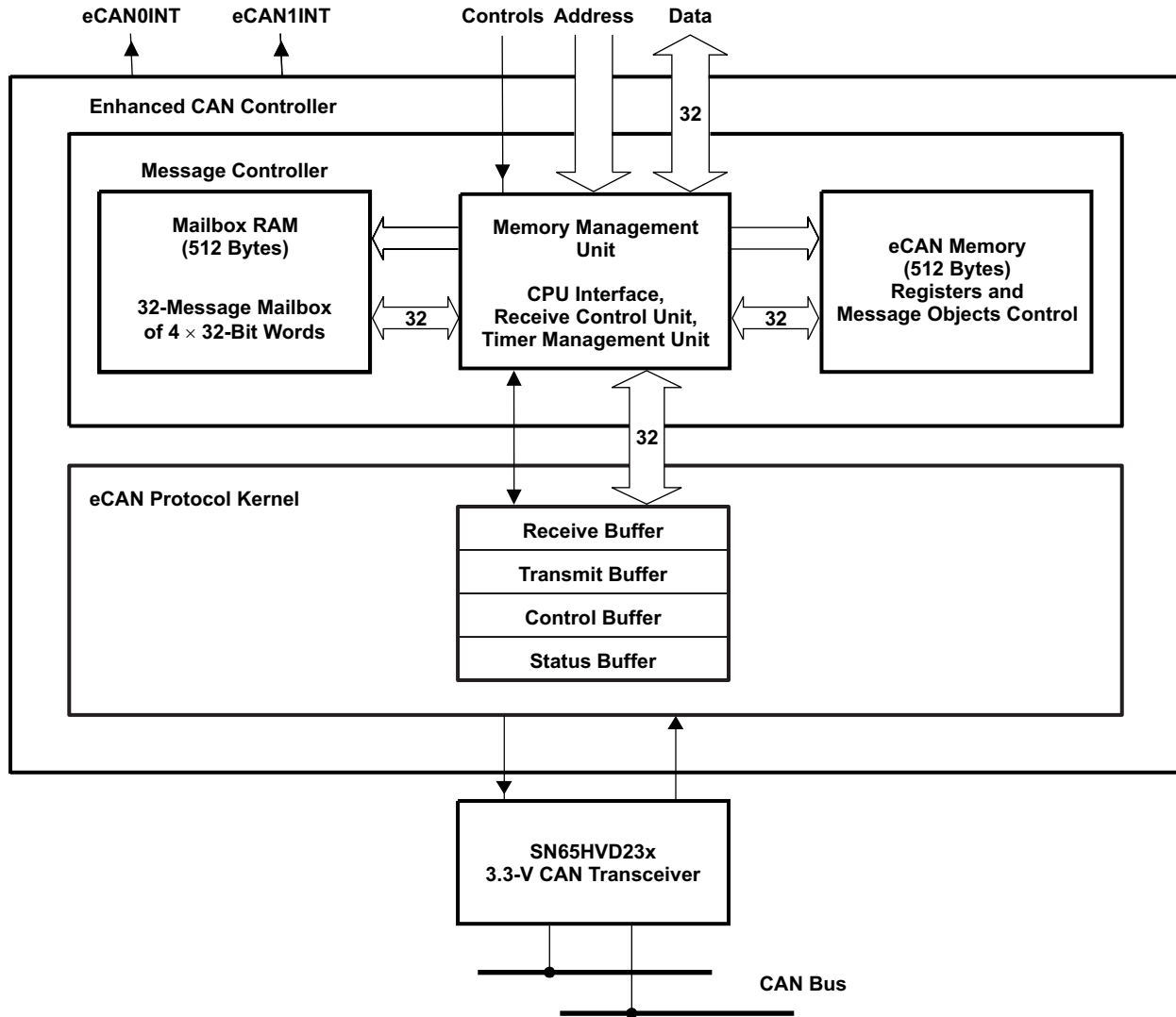


Figure 6-45. eCAN Block Diagram and Interface Circuit

Table 6-52. 3.3-V eCAN Transceivers

| PART NUMBER | SUPPLY VOLTAGE | LOW-POWER MODE    | SLOPE CONTROL | VREF | OTHER  | T <sub>A</sub> |
|-------------|----------------|-------------------|---------------|------|--|----------------|
| SN65HVD230  | 3.3 V          | Standby           | Adjustable    | Yes  | –  | –40°C to 85°C  |
| SN65HVD230Q | 3.3 V          | Standby           | Adjustable    | Yes  | –  | –40°C to 125°C |
| SN65HVD231  | 3.3 V          | Sleep             | Adjustable    | Yes  | –  | –40°C to 85°C  |
| SN65HVD231Q | 3.3 V          | Sleep             | Adjustable    | Yes  | –  | –40°C to 125°C |
| SN65HVD232  | 3.3 V          | None              | None          | None | –  | –40°C to 85°C  |
| SN65HVD232Q | 3.3 V          | None              | None          | None | –  | –40°C to 125°C |
| SN65HVD233  | 3.3 V          | Standby           | Adjustable    | None | Diagnostic Loopback  | –40°C to 125°C |
| SN65HVD234  | 3.3 V          | Standby and Sleep | Adjustable    | None | –  | –40°C to 125°C |
| SN65HVD235  | 3.3 V          | Standby           | Adjustable    | None | Autobaud Loopback  | –40°C to 125°C |
| ISO1050     | 3–5.5 V        | None              | None          | None | Built-in Isolation<br>Low Prop Delay<br>Thermal Shutdown<br>Fail-safe Operation<br>Dominant Time-Out | –55°C to 105°C |



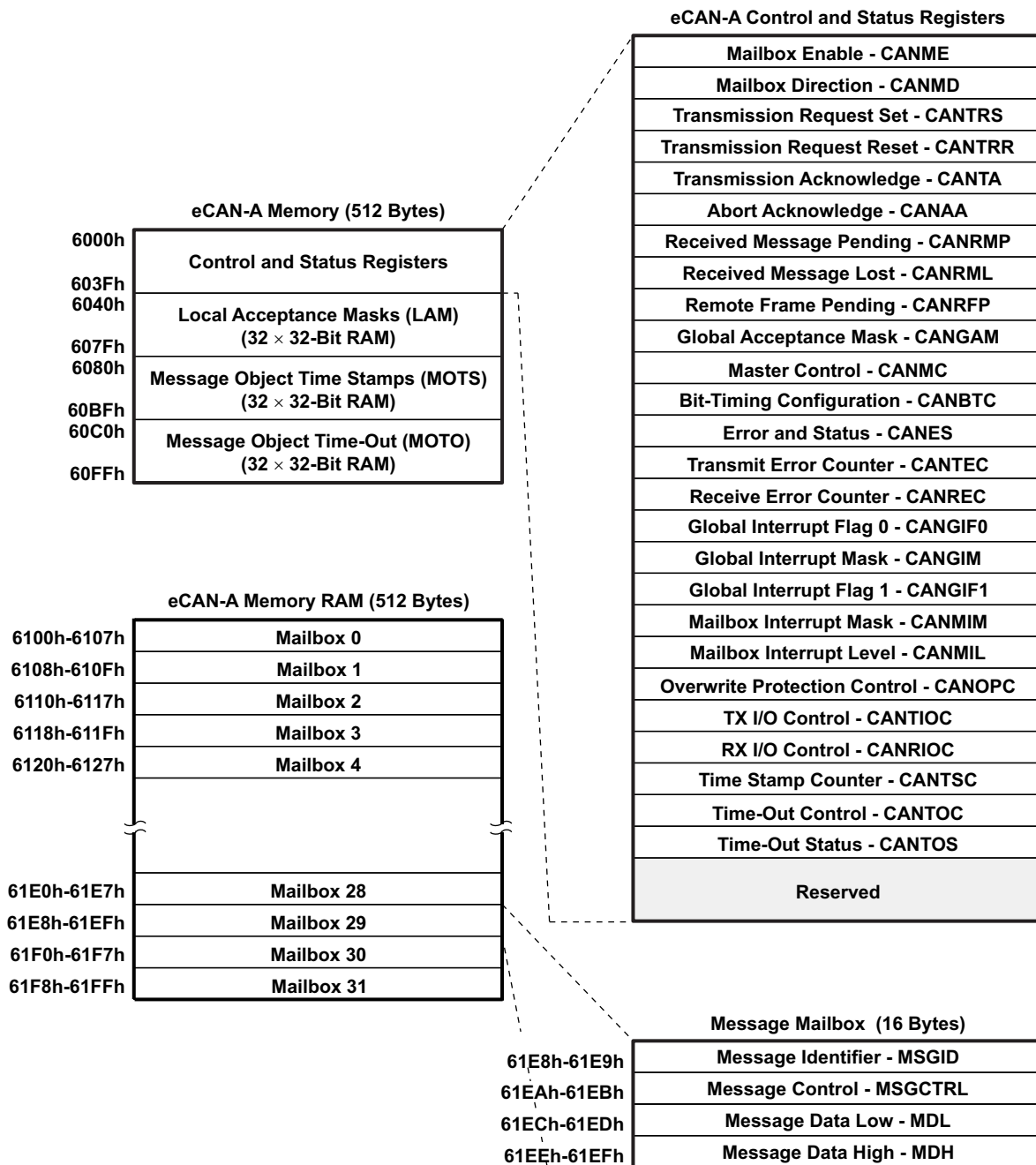


Figure 6-46. eCAN-A Memory Map

**NOTE**

If the eCAN module is not used in an application, the RAM available (LAM, MOTS, MOTO, and mailbox RAM) can be used as general-purpose RAM. The CAN module clock should be enabled for this.

The CAN registers listed in [Table 6-53](#) are used by the CPU to configure and control the CAN controller and the message objects. eCAN control registers only support 32-bit read/write operations. Mailbox RAM can be accessed as 16 bits or 32 bits. All 32-bit accesses are aligned to an even boundary.

**Table 6-53. CAN Registers<sup>(1)</sup>**

| REGISTER NAME | eCAN-A ADDRESS | SIZE (x32) | DESCRIPTION                               |
|---------------|----------------|------------|---|
| CANME         | 0x6000         | 1          | Mailbox enable                            |
| CANMD         | 0x6002         | 1          | Mailbox direction                         |
| CANTRS        | 0x6004         | 1          | Transmit request set                      |
| CANTRR        | 0x6006         | 1          | Transmit request reset                    |
| CANTA         | 0x6008         | 1          | Transmission acknowledge                  |
| CANAA         | 0x600A         | 1          | Abort acknowledge                         |
| CANRMP        | 0x600C         | 1          | Receive message pending                   |
| CANRML        | 0x600E         | 1          | Receive message lost                      |
| CANRFP        | 0x6010         | 1          | Remote frame pending                      |
| CANGAM        | 0x6012         | 1          | Global acceptance mask                    |
| CANMC         | 0x6014         | 1          | Master control                            |
| CANBTC        | 0x6016         | 1          | Bit-timing configuration                  |
| CANES         | 0x6018         | 1          | Error and status                          |
| CANTEC        | 0x601A         | 1          | Transmit error counter                    |
| CANREC        | 0x601C         | 1          | Receive error counter                     |
| CANGIF0       | 0x601E         | 1          | Global interrupt flag 0                   |
| CANGIM        | 0x6020         | 1          | Global interrupt mask                     |
| CANGIF1       | 0x6022         | 1          | Global interrupt flag 1                   |
| CANMIM        | 0x6024         | 1          | Mailbox interrupt mask                    |
| CANMIL        | 0x6026         | 1          | Mailbox interrupt level                   |
| CANOPC        | 0x6028         | 1          | Overwrite protection control              |
| CANTIOC       | 0x602A         | 1          | TX I/O control                            |
| CANRIOC       | 0x602C         | 1          | RX I/O control                            |
| CANTSC        | 0x602E         | 1          | Time stamp counter (Reserved in SCC mode) |
| CANTOC        | 0x6030         | 1          | Time-out control (Reserved in SCC mode)   |
| CANTOS        | 0x6032         | 1          | Time-out status (Reserved in SCC mode)    |

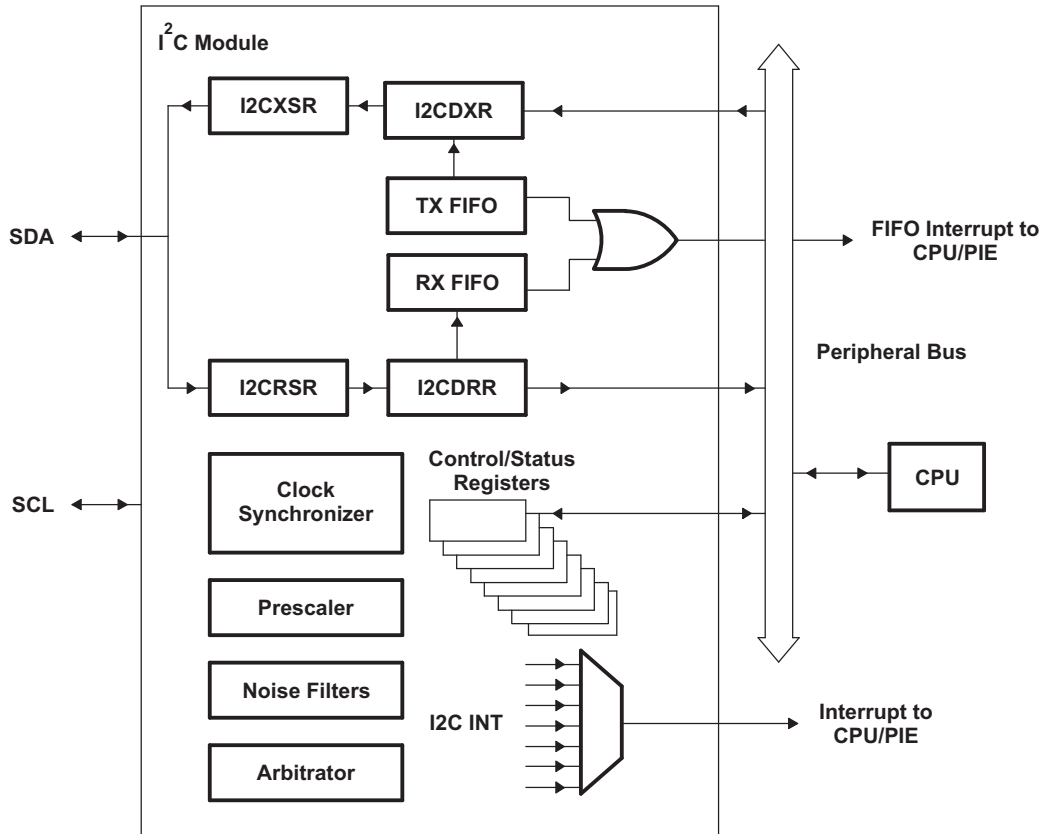
(1) These registers are mapped to Peripheral Frame 1.

### 6.9.8 Inter-Integrated Circuit (I<sup>2</sup>C)

The device contains one I<sup>2</sup>C Serial Port. [Figure 6-47](#) shows how the I<sup>2</sup>C peripheral module interfaces within the device.

The I<sup>2</sup>C module has the following features:

- Compliance with the Philips Semiconductors I<sup>2</sup>C-bus specification (version 2.1):
  - Support for 1-bit to 8-bit format transfers
  - 7-bit and 10-bit addressing modes
  - General call
  - START byte mode
  - Support for multiple master-transmitters and slave-receivers
  - Support for multiple slave-transmitters and master-receivers
  - Combined master transmit/receive and receive/transmit mode
  - Data transfer rate of from 10 kbps up to 400 kbps (I<sup>2</sup>C Fast-mode rate)
- One 4-word receive FIFO and one 4-word transmit FIFO
- One interrupt that can be used by the CPU. This interrupt can be generated as a result of one of the following conditions:
  - Transmit-data ready
  - Receive-data ready
  - Register-access ready
  - No-acknowledgment received
  - Arbitration lost
  - Stop condition detected
  - Addressed as slave
- An additional interrupt that can be used by the CPU when in FIFO mode
- Module enable/disable capability
- Free data format mode



- A. The I<sup>2</sup>C registers are accessed at the SYSCLKOUT rate. The internal timing and signal waveforms of the I<sup>2</sup>C port are also at the SYSCLKOUT rate.
- B. The clock enable bit (I2CAENCLK) in the PCLKCRO register turns off the clock to the I<sup>2</sup>C port for low power operation. Upon reset, I2CAENCLK is clear, which indicates the peripheral internal clocks are off.

**Figure 6-47. I<sup>2</sup>C Peripheral Module Interfaces**

The registers in [Table 6-54](#) configure and control the I<sup>2</sup>C port operation.

**Table 6-54. I2C-A Registers**

| NAME    | ADDRESS | EALLOW PROTECTED | DESCRIPTION  |
|---------|---------|------------------|--|
| I2COAR  | 0x7900  | No               | I <sup>2</sup> C own address register                                |
| I2CIER  | 0x7901  | No               | I <sup>2</sup> C interrupt enable register                           |
| I2CSTR  | 0x7902  | No               | I <sup>2</sup> C status register                                     |
| I2CCLKL | 0x7903  | No               | I <sup>2</sup> C clock low-time divider register                     |
| I2CCLKH | 0x7904  | No               | I <sup>2</sup> C clock high-time divider register                    |
| I2CCNT  | 0x7905  | No               | I <sup>2</sup> C data count register                                 |
| I2CDRR  | 0x7906  | No               | I <sup>2</sup> C data receive register                               |
| I2CSAR  | 0x7907  | No               | I <sup>2</sup> C slave address register                              |
| I2CDXR  | 0x7908  | No               | I <sup>2</sup> C data transmit register                              |
| I2CMDR  | 0x7909  | No               | I <sup>2</sup> C mode register                                       |
| I2CISRC | 0x790A  | No               | I <sup>2</sup> C interrupt source register                           |
| I2CPSC  | 0x790C  | No               | I <sup>2</sup> C prescaler register                                  |
| I2CFFTX | 0x7920  | No               | I <sup>2</sup> C FIFO transmit register                              |
| I2CFFRX | 0x7921  | No               | I <sup>2</sup> C FIFO receive register                               |
| I2CRSR  | –       | No               | I <sup>2</sup> C receive shift register (not accessible to the CPU)  |
| I2CXSR  | –       | No               | I <sup>2</sup> C transmit shift register (not accessible to the CPU) |

### 6.9.8.1 I<sup>2</sup>C Electrical Data/Timing

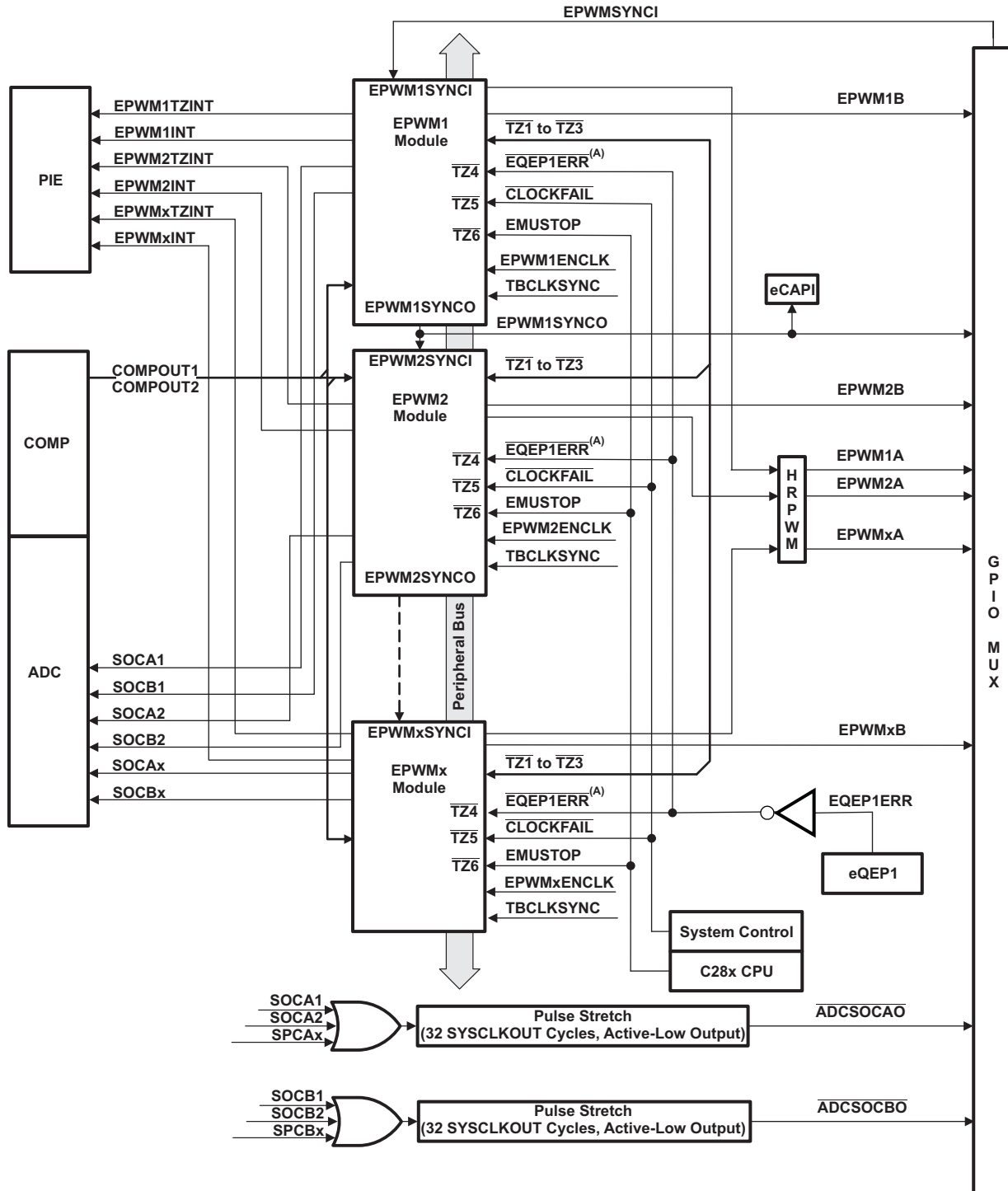
**Table 6-55. I<sup>2</sup>C Timing**

|                   |   | TEST CONDITIONS   | MIN                    | MAX                   | UNIT |
|-------------------|---|---|------------------------|-----------------------|------|
| f <sub>SCL</sub>  | SCL clock frequency   | I <sup>2</sup> C clock module frequency is between 7 MHz and 12 MHz and I <sup>2</sup> C prescaler and clock divider registers are configured appropriately |                        | 400                   | kHz  |
| v <sub>il</sub>   | Low level input voltage   |   |                        | 0.3 V <sub>DDIO</sub> | V    |
| V <sub>ih</sub>   | High level input voltage  |   | 0.7 V <sub>DDIO</sub>  |                       | V    |
| V <sub>hys</sub>  | Input hysteresis  |   | 0.05 V <sub>DDIO</sub> |                       | V    |
| V <sub>ol</sub>   | Low level output voltage  | 3-mA sink current   | 0                      | 0.4                   | V    |
| t <sub>LOW</sub>  | Low period of SCL clock   | I <sup>2</sup> C clock module frequency is between 7 MHz and 12 MHz and I <sup>2</sup> C prescaler and clock divider registers are configured appropriately | 1.3                    |                       | μs   |
| t <sub>HIGH</sub> | High period of SCL clock  | I <sup>2</sup> C clock module frequency is between 7 MHz and 12 MHz and I <sup>2</sup> C prescaler and clock divider registers are configured appropriately | 0.6                    |                       | μs   |
| I <sub>i</sub>    | Input current with an input voltage between 0.1 V <sub>DDIO</sub> and 0.9 V <sub>DDIO</sub> MAX |   | -10                    | 10                    | μA   |

### 6.9.9 Enhanced Pulse Width Modulator (ePWM) Modules (ePWM1–ePWM8)

The devices contain up to eight enhanced PWM (ePWM) modules. Figure 6-48 shows a block diagram of multiple ePWM modules. Figure 6-49 shows the signal interconnections with the ePWM.

Table 6-56 and Table 6-57 show the complete ePWM register set per module.



A. This signal exists only on devices with an eQEP1 module.

Figure 6-48. ePWM

**Table 6-56. ePWM1–ePWM4 Control and Status Registers**

| NAME    | ePWM1  | ePWM2  | ePWM3  | ePWM4  | SIZE (x16)/<br>#SHADOW | DESCRIPTION  |
|---------|--------|--------|--------|--------|------------------------|--|
| TBCTL   | 0x6800 | 0x6840 | 0x6880 | 0x68C0 | 1/0                    | Time Base Control Register                               |
| TBSTS   | 0x6801 | 0x6841 | 0x6881 | 0x68C1 | 1/0                    | Time Base Status Register                                |
| TBPHSHR | 0x6802 | 0x6842 | 0x6882 | 0x68C2 | 1/0                    | Time Base Phase HRPWM Register                           |
| TBPHS   | 0x6803 | 0x6843 | 0x6883 | 0x68C3 | 1/0                    | Time Base Phase Register                                 |
| TBCTR   | 0x6804 | 0x6844 | 0x6884 | 0x68C4 | 1/0                    | Time Base Counter Register                               |
| TBPRD   | 0x6805 | 0x6845 | 0x6885 | 0x68C5 | 1/1                    | Time Base Period Register Set                            |
| TBPRDHR | 0x6806 | 0x6846 | 0x6886 | 0x68C6 | 1/1                    | Time Base Period High-Resolution Register <sup>(1)</sup> |
| CMPCTL  | 0x6807 | 0x6847 | 0x6887 | 0x68C7 | 1/0                    | Counter Compare Control Register                         |
| CMPAHR  | 0x6808 | 0x6848 | 0x6888 | 0x68C8 | 1/1                    | Time Base Compare A HRPWM Register                       |
| CMPA    | 0x6809 | 0x6849 | 0x6889 | 0x68C9 | 1/1                    | Counter Compare A Register Set                           |
| CMPB    | 0x680A | 0x684A | 0x688A | 0x68CA | 1/1                    | Counter Compare B Register Set                           |
| AQCTLA  | 0x680B | 0x684B | 0x688B | 0x68CB | 1/0                    | Action Qualifier Control Register For Output A           |
| AQCTLB  | 0x680C | 0x684C | 0x688C | 0x68CC | 1/0                    | Action Qualifier Control Register For Output B           |
| AQSFC   | 0x680D | 0x684D | 0x688D | 0x68CD | 1/0                    | Action Qualifier Software Force Register                 |
| AQCSFC  | 0x680E | 0x684E | 0x688E | 0x68CE | 1/1                    | Action Qualifier Continuous S/W Force Register Set       |
| DBCTL   | 0x680F | 0x684F | 0x688F | 0x68CF | 1/1                    | Dead-Band Generator Control Register                     |
| DBRED   | 0x6810 | 0x6850 | 0x6890 | 0x68D0 | 1/0                    | Dead-Band Generator Rising Edge Delay Count Register     |
| DBFED   | 0x6811 | 0x6851 | 0x6891 | 0x68D1 | 1/0                    | Dead-Band Generator Falling Edge Delay Count Register    |
| TZSEL   | 0x6812 | 0x6852 | 0x6892 | 0x68D2 | 1/0                    | Trip Zone Select Register <sup>(1)</sup>                 |
| TZDCSEL | 0x6813 | 0x6853 | 0x6893 | 0x68D3 | 1/0                    | Trip Zone Digital Compare Register                       |
| TZCTL   | 0x6814 | 0x6854 | 0x6894 | 0x68D4 | 1/0                    | Trip Zone Control Register <sup>(1)</sup>                |
| TZEINT  | 0x6815 | 0x6855 | 0x6895 | 0x68D5 | 1/0                    | Trip Zone Enable Interrupt Register <sup>(1)</sup>       |
| TZFLG   | 0x6816 | 0x6856 | 0x6896 | 0x68D6 | 1/0                    | Trip Zone Flag Register <sup>(1)</sup>                   |
| TZCLR   | 0x6817 | 0x6857 | 0x6897 | 0x68D7 | 1/0                    | Trip Zone Clear Register <sup>(1)</sup>                  |
| TZFRC   | 0x6818 | 0x6858 | 0x6898 | 0x68D8 | 1/0                    | Trip Zone Force Register <sup>(1)</sup>                  |
| ETSEL   | 0x6819 | 0x6859 | 0x6899 | 0x68D9 | 1/0                    | Event Trigger Selection Register                         |
| ETPS    | 0x681A | 0x685A | 0x689A | 0x68DA | 1/0                    | Event Trigger Prescale Register                          |
| ETFLG   | 0x681B | 0x685B | 0x689B | 0x68DB | 1/0                    | Event Trigger Flag Register                              |
| ETCLR   | 0x681C | 0x685C | 0x689C | 0x68DC | 1/0                    | Event Trigger Clear Register                             |
| ETFRC   | 0x681D | 0x685D | 0x689D | 0x68DD | 1/0                    | Event Trigger Force Register                             |
| PCCTL   | 0x681E | 0x685E | 0x689E | 0x68DE | 1/0                    | PWM Chopper Control Register                             |
| HRCNFG  | 0x6820 | 0x6860 | 0x68A0 | 0x68E0 | 1/0                    | HRPWM Configuration Register <sup>(1)</sup>              |

(1) Registers that are EALLOW protected.

**Table 6-56. ePWM1–ePWM4 Control and Status Registers (continued)**

| NAME         | ePWM1  | ePWM2  | ePWM3  | ePWM4  | SIZE (x16)/<br>#SHADOW | DESCRIPTION   |
|--------------|--------|--------|--------|--------|------------------------|---|
| HRMSTEP      | 0x6826 | -      | -      | -      | 1/0                    | HRPWM MEP Step Register                                 |
| HRPCTL       | 0x6828 | 0x6868 | 0x68A8 | 0x68E8 | 1/0                    | High-resolution Period Control Register <sup>(1)</sup>  |
| TBPRDHRM     | 0x682A | 0x686A | 0x68AA | 0x68EA | 1/W <sup>(2)</sup>     | Time Base Period HRPWM Register Mirror                  |
| TBPRDM       | 0x682B | 0x686B | 0x68AB | 0x68EB | 1/W <sup>(2)</sup>     | Time Base Period Register Mirror                        |
| CMPAHRM      | 0x682C | 0x686C | 0x68AC | 0x68EC | 1/W <sup>(2)</sup>     | Compare A HRPWM Register Mirror                         |
| CMPAM        | 0x682D | 0x686D | 0x68AD | 0x68ED | 1/W <sup>(2)</sup>     | Compare A Register Mirror                               |
| DCTRIPSEL    | 0x6830 | 0x6870 | 0x68B0 | 0x68F0 | 1/0                    | Digital Compare Trip Select Register <sup>(1)</sup>     |
| DCACTL       | 0x6831 | 0x6871 | 0x68B1 | 0x68F1 | 1/0                    | Digital Compare A Control Register <sup>(1)</sup>       |
| DCBCTL       | 0x6832 | 0x6872 | 0x68B2 | 0x68F2 | 1/0                    | Digital Compare B Control Register <sup>(1)</sup>       |
| DCFCTL       | 0x6833 | 0x6873 | 0x68B3 | 0x68F3 | 1/0                    | Digital Compare Filter Control Register <sup>(1)</sup>  |
| DCCAPCT      | 0x6834 | 0x6874 | 0x68B4 | 0x68F4 | 1/0                    | Digital Compare Capture Control Register <sup>(1)</sup> |
| DCOFFSET     | 0x6835 | 0x6875 | 0x68B5 | 0x68F5 | 1/1                    | Digital Compare Filter Offset Register                  |
| DCOFFSETCNT  | 0x6836 | 0x6876 | 0x68B6 | 0x68F6 | 1/0                    | Digital Compare Filter Offset Counter Register          |
| DCFWINDOW    | 0x6837 | 0x6877 | 0x68B7 | 0x68F7 | 1/0                    | Digital Compare Filter Window Register                  |
| DCFWINDOWCNT | 0x6838 | 0x6878 | 0x68B8 | 0x68F8 | 1/0                    | Digital Compare Filter Window Counter Register          |
| DCCAP        | 0x6839 | 0x6879 | 0x68B9 | 0x68F9 | 1/1                    | Digital Compare Counter Capture Register                |

(2) W = Write to shadow register

**Table 6-57. ePWM5–ePWM8 Control and Status Registers**

| NAME    | ePWM5  | ePWM6  | ePWM7  | ePWM8  | SIZE (x16)/<br>#SHADOW | DESCRIPTION  |
|---------|--------|--------|--------|--------|------------------------|--|
| TBCTL   | 0x6900 | 0x6940 | 0x6980 | 0x69C0 | 1/0                    | Time Base Control Register                               |
| TBSTS   | 0x6901 | 0x6941 | 0x6981 | 0x69C1 | 1/0                    | Time Base Status Register                                |
| TBPHSHR | 0x6902 | 0x6942 | 0x6982 | 0x69C2 | 1/0                    | Time Base Phase HRPWM Register                           |
| TBPHS   | 0x6903 | 0x6943 | 0x6983 | 0x69C3 | 1/0                    | Time Base Phase Register                                 |
| TBCTR   | 0x6904 | 0x6944 | 0x6984 | 0x69C4 | 1/0                    | Time Base Counter Register                               |
| TBPRD   | 0x6905 | 0x6945 | 0x6985 | 0x69C5 | 1/1                    | Time Base Period Register Set                            |
| TBPRDHR | 0x6906 | 0x6946 | 0x6986 | 0x69C6 | 1/1                    | Time Base Period High-Resolution Register <sup>(1)</sup> |
| CMPCTL  | 0x6907 | 0x6947 | 0x6987 | 0x69C7 | 1/0                    | Counter Compare Control Register                         |
| CMPAHR  | 0x6908 | 0x6948 | 0x6988 | 0x69C8 | 1/1                    | Time Base Compare A HRPWM Register                       |
| CMPA    | 0x6909 | 0x6949 | 0x6989 | 0x69C9 | 1/1                    | Counter Compare A Register Set                           |
| CMPB    | 0x690A | 0x694A | 0x698A | 0x69CA | 1/1                    | Counter Compare B Register Set                           |

(1) Registers that are EALLOW protected.



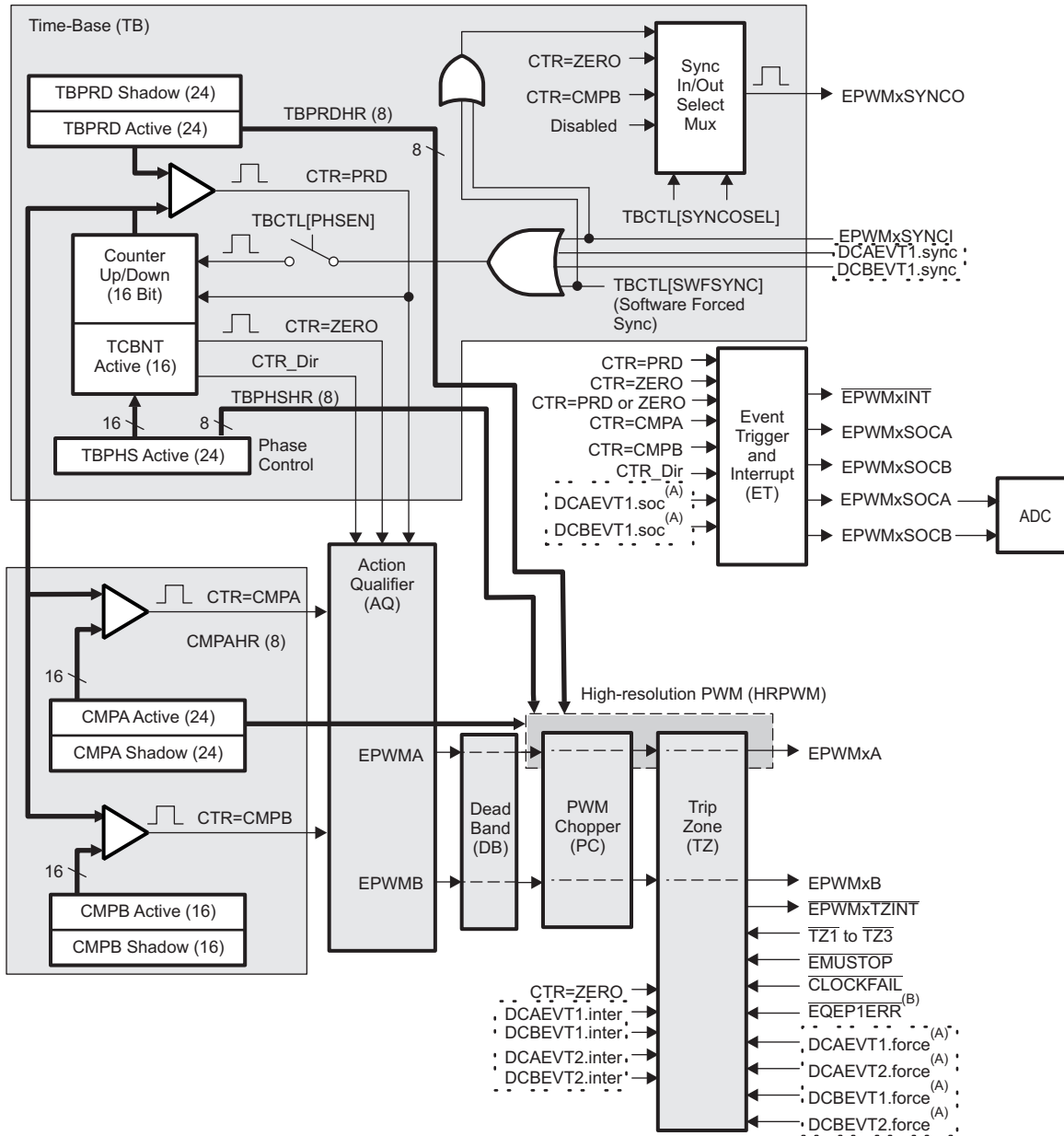
**Table 6-57. ePWM5–ePWM8 Control and Status Registers (continued)**

| NAME      | ePWM5  | ePWM6  | ePWM7  | ePWM8  | SIZE (x16)/<br>#SHADOW | DESCRIPTION   |
|-----------|--------|--------|--------|--------|------------------------|---|
| AQCTLA    | 0x690B | 0x694B | 0x698B | 0x69CB | 1/0                    | Action Qualifier Control Register For Output A          |
| AQCTLB    | 0x690C | 0x694C | 0x698C | 0x69CC | 1/0                    | Action Qualifier Control Register For Output B          |
| AQSFR     | 0x690D | 0x694D | 0x698D | 0x69CD | 1/0                    | Action Qualifier Software Force Register                |
| AQCSFR    | 0x690E | 0x694E | 0x698E | 0x69CE | 1/1                    | Action Qualifier Continuous S/W Force Register Set      |
| DBCTL     | 0x690F | 0x694F | 0x698F | 0x69CF | 1/1                    | Dead-Band Generator Control Register                    |
| DBRED     | 0x6910 | 0x6950 | 0x6990 | 0x69D0 | 1/0                    | Dead-Band Generator Rising Edge Delay Count Register    |
| DBFED     | 0x6911 | 0x6951 | 0x6991 | 0x69D1 | 1/0                    | Dead-Band Generator Falling Edge Delay Count Register   |
| TZSEL     | 0x6912 | 0x6952 | 0x6992 | 0x69D2 | 1/0                    | Trip Zone Select Register <sup>(1)</sup>                |
| TZDSEL    | 0x6913 | 0x6953 | 0x6993 | 0x69D3 | 1/0                    | Trip Zone Digital Compare Register                      |
| TZCTL     | 0x6914 | 0x6954 | 0x6994 | 0x69D4 | 1/0                    | Trip Zone Control Register <sup>(1)</sup>               |
| TZEINT    | 0x6915 | 0x6955 | 0x6995 | 0x69D5 | 1/0                    | Trip Zone Enable Interrupt Register <sup>(1)</sup>      |
| TZFLG     | 0x6916 | 0x6956 | 0x6996 | 0x69D6 | 1/0                    | Trip Zone Flag Register <sup>(1)</sup>                  |
| TZCLR     | 0x6917 | 0x6957 | 0x6997 | 0x69D7 | 1/0                    | Trip Zone Clear Register <sup>(1)</sup>                 |
| TZFRC     | 0x6918 | 0x6958 | 0x6998 | 0x69D8 | 1/0                    | Trip Zone Force Register <sup>(1)</sup>                 |
| ETSEL     | 0x6919 | 0x6959 | 0x6999 | 0x69D9 | 1/0                    | Event Trigger Selection Register                        |
| ETPS      | 0x691A | 0x695A | 0x699A | 0x69DA | 1/0                    | Event Trigger Prescale Register                         |
| ETFLG     | 0x691B | 0x695B | 0x699B | 0x69DB | 1/0                    | Event Trigger Flag Register                             |
| ETCLR     | 0x691C | 0x695C | 0x699C | 0x69DC | 1/0                    | Event Trigger Clear Register                            |
| ETFRC     | 0x691D | 0x695D | 0x699D | 0x69DD | 1/0                    | Event Trigger Force Register                            |
| PCCTL     | 0x691E | 0x695E | 0x699E | 0x69DE | 1/0                    | PWM Chopper Control Register                            |
| HRCNFG    | 0x6920 | 0x6960 | 0x69A0 | 0x69E0 | 1/0                    | HRPWM Configuration Register <sup>(1)</sup>             |
| HRMSTEP   | -      | -      | -      | -      | 1/0                    | HRPWM MEP Step Register                                 |
| HRPCTL    | 0x6928 | 0x6968 | 0x69A8 | 0x69E8 | 1/0                    | High-resolution Period Control Register <sup>(1)</sup>  |
| TBPRDHRM  | 0x692A | 0x696A | 0x69AA | 0x69EA | 1/W <sup>(2)</sup>     | Time Base Period HRPWM Register Mirror                  |
| TBPRDM    | 0x692B | 0x696B | 0x69AB | 0x69EB | 1/W <sup>(2)</sup>     | Time Base Period Register Mirror                        |
| CMPAHRM   | 0x692C | 0x696C | 0x69AC | 0x69EC | 1/W <sup>(2)</sup>     | Compare A HRPWM Register Mirror                         |
| CMPAM     | 0x692D | 0x696D | 0x69AD | 0x69ED | 1/W <sup>(2)</sup>     | Compare A Register Mirror                               |
| DCTRIPSEL | 0x6930 | 0x6970 | 0x69B0 | 0x69F0 | 1/0                    | Digital Compare Trip Select Register <sup>(1)</sup>     |
| DCACTL    | 0x6931 | 0x6971 | 0x69B1 | 0x69F1 | 1/0                    | Digital Compare A Control Register <sup>(1)</sup>       |
| DCBCTL    | 0x6932 | 0x6972 | 0x69B2 | 0x69F2 | 1/0                    | Digital Compare B Control Register <sup>(1)</sup>       |
| DCFCTL    | 0x6933 | 0x6973 | 0x69B3 | 0x69F3 | 1/0                    | Digital Compare Filter Control Register <sup>(1)</sup>  |
| DCCAPCT   | 0x6934 | 0x6974 | 0x69B4 | 0x69F4 | 1/0                    | Digital Compare Capture Control Register <sup>(1)</sup> |

(2) W = Write to shadow register

**Table 6-57. ePWM5–ePWM8 Control and Status Registers (continued)**

| NAME         | ePWM5  | ePWM6  | ePWM7  | ePWM8  | SIZE (x16)/<br>#SHADOW | DESCRIPTION                                    |
|--------------|--------|--------|--------|--------|------------------------|--|
| DCOFFSET     | 0x6935 | 0x6975 | 0x69B5 | 0x69F5 | 1/1                    | Digital Compare Filter Offset Register         |
| DCOFFSETCNT  | 0x6936 | 0x6976 | 0x69B6 | 0x69F6 | 1/0                    | Digital Compare Filter Offset Counter Register |
| DCFWINDOW    | 0x6937 | 0x6977 | 0x69B7 | 0x69F7 | 1/0                    | Digital Compare Filter Window Register         |
| DCFWINDOWCNT | 0x6938 | 0x6978 | 0x69B8 | 0x69F8 | 1/0                    | Digital Compare Filter Window Counter Register |
| DCCAP        | 0x6939 | 0x6979 | 0x69B9 | 0x69F9 | 1/1                    | Digital Compare Counter Capture Register       |



- A. These events are generated by the Type 1 ePWM digital compare (DC) submodule based on the levels of the COMPxOUT and TZ signals.
- B. This signal exists only on devices with an eQEP1 module.

**Figure 6-49. ePWM Submodules Showing Critical Internal Signal Interconnections**

### 6.9.9.1 ePWM Electrical Data/Timing

PWM refers to PWM outputs on ePWM1–8. [Table 6-58](#) shows the PWM timing requirements and [Table 6-59](#), switching characteristics.

**Table 6-58. ePWM Timing Requirements<sup>(1)</sup>**

|                |                        | MIN                  | MAX                         | UNIT   |
|----------------|------------------------|----------------------|-----------------------------|--------|
| $t_{w(SYCIN)}$ | Sync input pulse width | Asynchronous         | $2t_{c(SCO)}$               | cycles |
|                |                        | Synchronous          | $2t_{c(SCO)}$               | cycles |
|                |                        | With input qualifier | $1t_{c(SCO)} + t_{w(IQSW)}$ | cycles |

(1) For an explanation of the input qualifier parameters, see [Table 6-76](#).

**Table 6-59. ePWM Switching Characteristics**

over recommended operating conditions (unless otherwise noted)

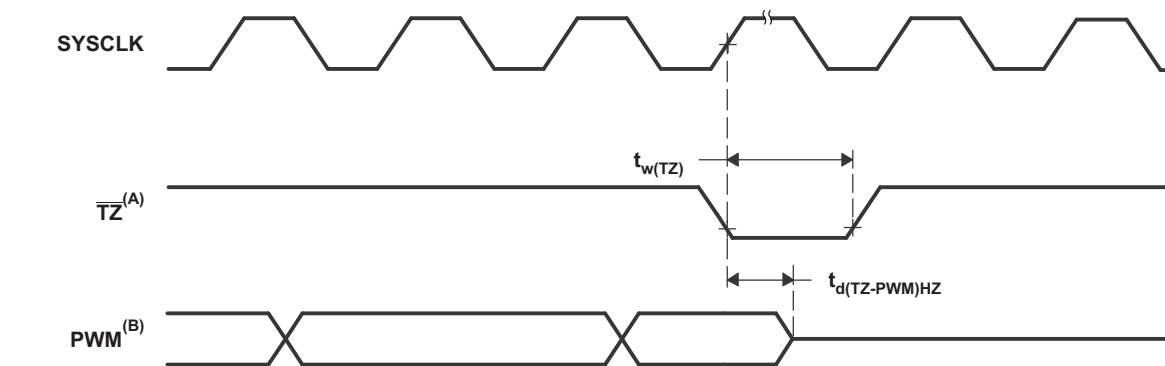
| PARAMETER         | TEST CONDITIONS                                  | MIN           | MAX | UNIT   |
|-------------------|--|---------------|-----|--------|
| $t_{w(PWM)}$      | Pulse duration, PWMx output high/low             | 33.33         |     | ns     |
| $t_{w(SYNCOU)}$   | Sync output pulse width                          | $8t_{c(SCO)}$ |     | cycles |
| $t_{d(PWM)tza}$   | Delay time, trip input active to PWM forced high |               | 25  | ns     |
|                   | Delay time, trip input active to PWM forced low  | no pin load   |     |        |
| $t_{d(TZ-PWM)HZ}$ | Delay time, trip input active to PWM Hi-Z        |               | 20  | ns     |

### 6.9.9.2 Trip-Zone Input Timing

**Table 6-60. Trip-Zone Input Timing Requirements<sup>(1)</sup>**

|             |  | MIN                  | MAX                           | UNIT   |
|-------------|--|----------------------|-------------------------------|--------|
| $t_{w(TZ)}$ | Pulse duration, $\overline{TZx}$ input low | Asynchronous         | $2t_{c(TBCLK)}$               | cycles |
|             |  | Synchronous          | $2t_{c(TBCLK)}$               | cycles |
|             |  | With input qualifier | $2t_{c(TBCLK)} + t_{w(IQSW)}$ | cycles |

(1) For an explanation of the input qualifier parameters, see [Table 6-76](#).



- A.  $\overline{TZ} - \overline{TZ1}, \overline{TZ2}, \overline{TZ3}, \overline{TZ4}, \overline{TZ5}, \overline{TZ6}$
- B. PWM refers to all the PWM pins in the device. The state of the PWM pins after  $\overline{TZ}$  is taken high depends on the PWM recovery software.

**Figure 6-50. PWM Hi-Z Characteristics**

### 6.9.10 High-Resolution PWM (HRPWM)

This module combines multiple delay lines in a single module and a simplified calibration system by using a dedicated calibration delay line. For each ePWM module there is one HR delay line.

The HRPWM module offers PWM resolution (time granularity) that is significantly better than what can be achieved using conventionally derived digital PWM methods. The key points for the HRPWM module are:

- Significantly extends the time resolution capabilities of conventionally derived digital PWM
- This capability can be used in both single edge (duty cycle and phase-shift control) as well as dual edge control for frequency/period modulation.
- Finer time granularity control or edge positioning is controlled through extensions to the Compare A and Phase registers of the ePWM module.
- HRPWM capabilities, when available on a particular device, are offered only on the A signal path of an ePWM module (that is, on the EPWMxA output). EPWMxB output has conventional PWM capabilities.

---

#### NOTE

The minimum SYSCLKOUT frequency allowed for HRPWM is 60 MHz.

---

#### NOTE

When dual-edge high-resolution is enabled (high-resolution period mode), the PWMxB channel will have  $\pm 1-2$  TBCLK cycles of jitter on the output.

---

#### 6.9.10.1 HRPWM Electrical Data/Timing

Table 6-61 shows the high-resolution PWM switching characteristics.

**Table 6-61. High-Resolution PWM Characteristics<sup>(1)</sup>**

| PARAMETER   | MIN | TYP | MAX | UNIT |
|---|-----|-----|-----|------|
| Micro Edge Positioning (MEP) step size <sup>(2)</sup> |     | 150 | 310 | ps   |

(1) The HRPWM operates at a minimum SYSCLKOUT frequency of 60 MHz.

(2) Maximum MEP step size is based on worst-case process, maximum temperature and minimum voltage. MEP step size will increase with low voltage and high temperature and decrease with voltage and cold temperature. Applications that use the HRPWM feature should use MEP Scale Factor Optimizer (SFO) estimation software functions. See the TI software libraries for details of using SFO function in end applications. SFO functions help to estimate the number of MEP steps per SYSCLKOUT period dynamically while the HRPWM is in operation.

### 6.9.11 Enhanced Capture Module (eCAP1)

The device contains an enhanced capture (eCAP) module. Figure 6-51 shows a functional block diagram of a module.

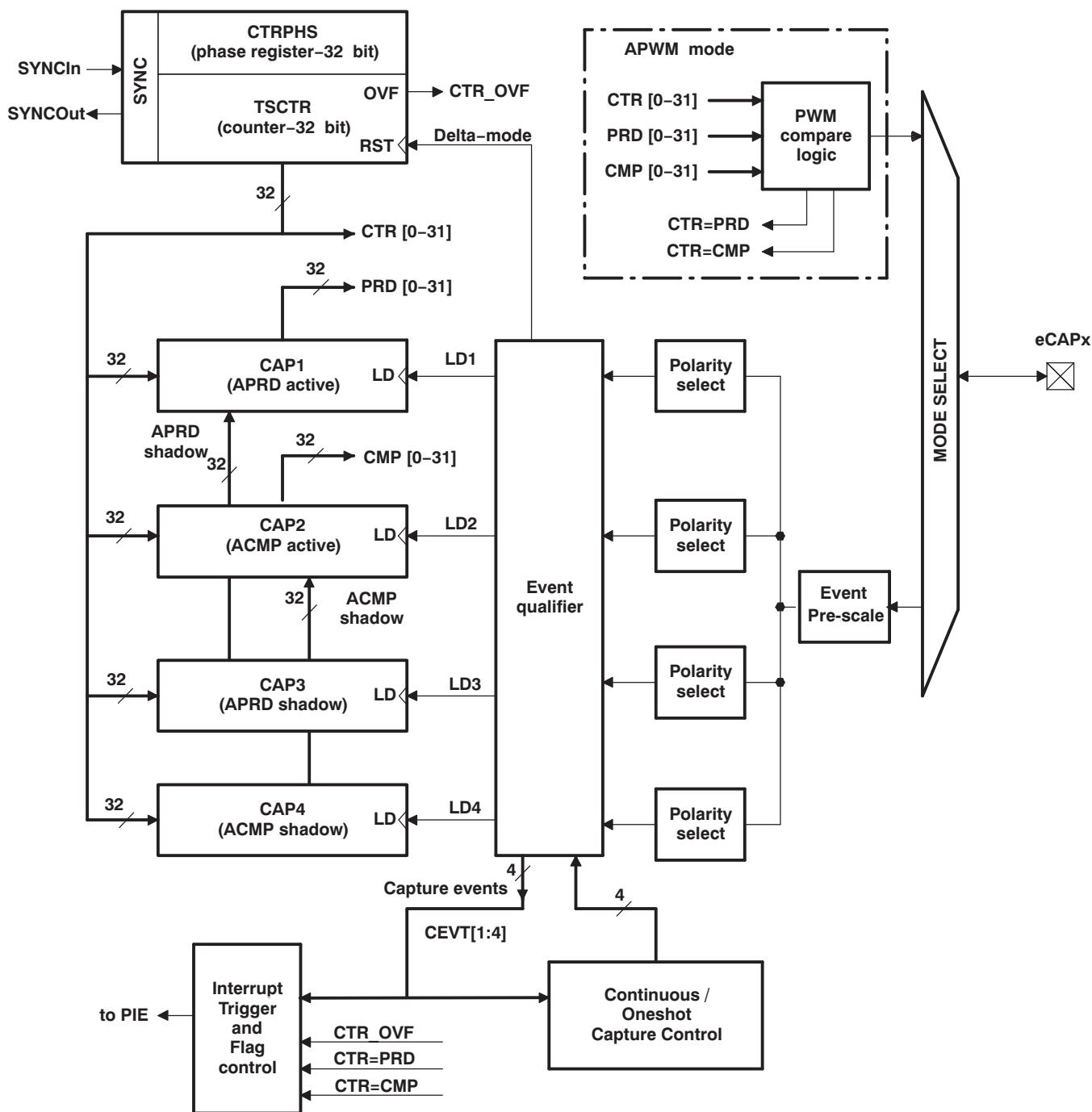


Figure 6-51. eCAP Functional Block Diagram

The eCAP module is clocked at the SYSCLKOUT rate.

The clock enable bits (ECAP1 ENCLK) in the PCLKCR1 register turn off the eCAP module individually (for low-power operation). Upon reset, ECAP1ENCLK is set to low, indicating that the peripheral clock is off.

**Table 6-62. eCAP Control and Status Registers**

| NAME     | eCAP1           | eCAP2           | eCAP3           | SIZE (x16) | EALLOW PROTECTED | DESCRIPTION                         |
|----------|-----------------|-----------------|-----------------|------------|------------------|-------------------------------------|
| TSCTR    | 0x6A00          | 0x6A20          | 0x6A40          | 2          | No               | Time-Stamp Counter                  |
| CTRPHS   | 0x6A02          | 0x6A22          | 0x6A42          | 2          | No               | Counter Phase Offset Value Register |
| CAP1     | 0x6A04          | 0x6A24          | 0x6A44          | 2          | No               | Capture 1 Register                  |
| CAP2     | 0x6A06          | 0x6A26          | 0x6A46          | 2          | No               | Capture 2 Register                  |
| CAP3     | 0x6A08          | 0x6A28          | 0x6A48          | 2          | No               | Capture 3 Register                  |
| CAP4     | 0x6A0A          | 0x6A2A          | 0x6A4A          | 2          | No               | Capture 4 Register                  |
| Reserved | 0x6A0C – 0x6A12 | 0x6A2C – 0x6A32 | 0x6A4C – 0x6A52 | 8          | No               | Reserved                            |
| ECCTL1   | 0x6A14          | 0x6A34          | 0x6A54          | 1          | No               | Capture Control Register 1          |
| ECCTL2   | 0x6A15          | 0x6A35          | 0x6A55          | 1          | No               | Capture Control Register 2          |
| ECEINT   | 0x6A16          | 0x6A36          | 0x6A56          | 1          | No               | Capture Interrupt Enable Register   |
| ECFLG    | 0x6A17          | 0x6A37          | 0x6A57          | 1          | No               | Capture Interrupt Flag Register     |
| ECCLR    | 0x6A18          | 0x6A38          | 0x6A58          | 1          | No               | Capture Interrupt Clear Register    |
| ECFRC    | 0x6A19          | 0x6A39          | 0x6A59          | 1          | No               | Capture Interrupt Force Register    |
| Reserved | 0x6A1A – 0x6A1F | 0x6A3A – 0x6A3F | 0x6A5A – 0x6A5F | 6          | No               | Reserved                            |

### 6.9.11.1 eCAP Electrical Data/Timing

[Table 6-63](#) shows the eCAP timing requirement and [Table 6-64](#) shows the eCAP switching characteristics.

**Table 6-63. Enhanced Capture (eCAP) Timing Requirement<sup>(1)</sup>**

|              |                           | MIN                  | MAX                       | UNIT   |
|--------------|---------------------------|----------------------|---------------------------|--------|
| $t_{w(CAP)}$ | Capture input pulse width | Asynchronous         | $2t_{c(SCO)}$             | cycles |
|              |                           | Synchronous          | $2t_{c(SCO)}$             |        |
|              |                           | With input qualifier | $1t_{c(SCO)} + t_w(IQSW)$ |        |

(1) For an explanation of the input qualifier parameters, see [Table 6-76](#).

**Table 6-64. eCAP Switching Characteristics**

over recommended operating conditions (unless otherwise noted)

| PARAMETER   | MIN | MAX | UNIT |
|---|-----|-----|------|
| $t_{w(APWM)}$ Pulse duration, APWMx output high/low | 20  |     | ns   |

### 6.9.12 High-Resolution Capture Modules (HRCAP1–HRCAP4)

The device contains up to four high-resolution capture (HRCAP) modules. The High-Resolution Capture (HRCAP) module measures the difference between external pulses with a typical resolution of 300 ps.

Uses for the HRCAP include:

- Capacitive touch applications
- High-resolution period and duty cycle measurements of pulse train cycles
- Instantaneous speed measurements
- Instantaneous frequency measurements
- Voltage measurements across an isolation boundary
- Distance measurement (sonar) and scanning

The HRCAP module features include:

- Pulse width capture in either non-high-resolution or high-resolution modes
- Difference (Delta) mode pulse width capture
- Typical high-resolution capture on the order of 300 ps resolution on each edge
- Interrupt on either falling or rising edge
- Continuous mode capture of pulse widths in 2-deep buffer
- Calibration logic for precision high-resolution capture
- All of the above resources are dedicated to a single input pin
- HRCAP calibration software library supplied by TI is used for both calibration and calculating fractional pulse widths

The HRCAP module includes one capture channel in addition to a high-resolution calibration block, which connects internally to the last available ePWMxA HRPWM channel when calibrating (that is, if there are eight ePWMs with HRPWM capability, it will be HRPWM8A).

Each HRCAP channel has the following independent key resources:

- Dedicated input capture pin
- 16-bit HRCAP clock which is either equal to the PLL2 output frequency (asynchronous to SYSCLK2) or equal to the SYSCLK2 frequency (synchronous to SYSCLK2)
- High-resolution pulse width capture in a 2-deep buffer

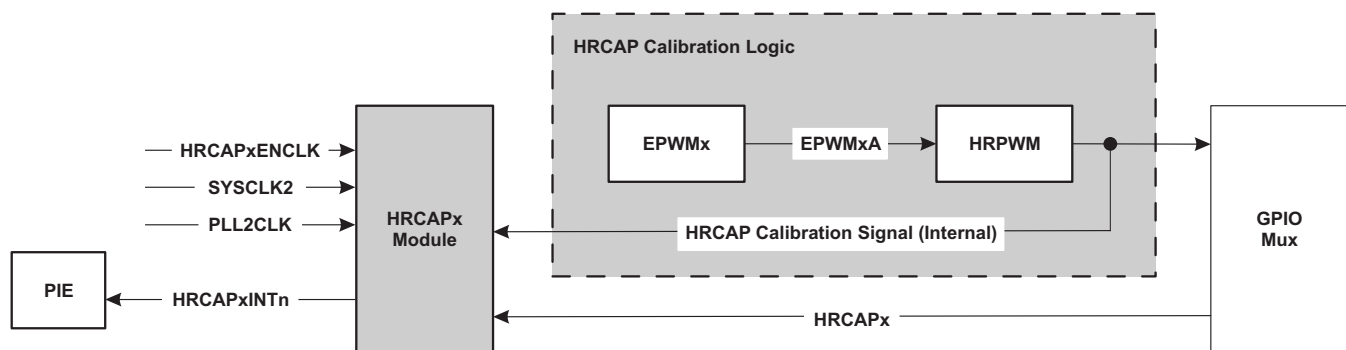


Figure 6-52. HRCAP Functional Block Diagram



**Table 6-65. HRCAP Registers**

| NAME          | HRCAP1 | HRCAP2 | HRCAP3 | HRCAP4 | SIZE<br>(x16) | DESCRIPTION                                      |
|---------------|--------|--------|--------|--------|---------------|--|
| HCCTL         | 0x6AC0 | 0x6AE0 | 0x6C80 | 0x6CA0 | 1             | HRCAP Control Register <sup>(1)</sup>            |
| HCIFR         | 0x6AC1 | 0x6AE1 | 0x6C81 | 0x6CA1 | 1             | HRCAP Interrupt Flag Register                    |
| HCICLR        | 0x6AC2 | 0x6AE2 | 0x6C82 | 0x6CA2 | 1             | HRCAP Interrupt Clear Register <sup>(1)</sup>    |
| HCIFRC        | 0x6AC3 | 0x6AE3 | 0x6C83 | 0x6CA3 | 1             | HRCAP Interrupt Force Register <sup>(1)</sup>    |
| HCCOUNTER     | 0x6AC4 | 0x6AE4 | 0x6C84 | 0x6CA4 | 1             | HRCAP 16-bit Counter Register                    |
| HCCAPCNTRISE0 | 0x6AD0 | 0x6AF0 | 0x6C90 | 0x6CB0 | 1             | HRCAP Capture Counter on Rising Edge 0 Register  |
| HCCAPCNTFALL0 | 0x6AD2 | 0x6AF2 | 0x6C92 | 0x6CB2 | 1             | HRCAP Capture Counter on Falling Edge 0 Register |
| HCCAPCNTRISE1 | 0x6AD8 | 0x6AF8 | 0x6C98 | 0x6CB8 | 1             | HRCAP Capture Counter on Rising Edge 1 Register  |
| HCCAPCNTFALL1 | 0x6ADA | 0x6AFA | 0x6C9A | 0x6CBA | 1             | HRCAP Capture Counter on Falling Edge 1 Register |

(1) Registers that are EALLOW-protected.

### 6.9.12.1 HRCAP Electrical Data/Timing

**Table 6-66. High-Resolution Capture (HRCAP) Timing Requirements**

|                   |                                 | MIN                               | NOM | MAX    | UNIT |
|-------------------|---------------------------------|-----------------------------------|-----|--------|------|
| $t_{c(HCCAPCLK)}$ | Cycle time, HRCAP capture clock | 8.333                             |     | 10.204 | ns   |
| $t_{w(HRCAP)}$    | Pulse width, HRCAP capture      | $7t_{c(HCCAPCLK)}$ <sup>(1)</sup> |     |        | ns   |
|                   | HRCAP step size <sup>(2)</sup>  |                                   | 300 |        | ps   |

- (1) The listed minimum pulse width does not take into account the limitation that all relevant HCCAP registers must be read and RISE/FALL event flags cleared within the pulse width to ensure valid capture data.
- (2) HRCAP step size will increase with low voltage and high temperature and decrease with high voltage and low temperature. Applications that use the HRCAP in high-resolution mode should use the HRCAP calibration functions to dynamically calibrate for varying operating conditions.

### 6.9.13 Enhanced Quadrature Encoder Modules (eQEP1, eQEP2)

The device contains up to two enhanced quadrature encoder (eQEP) modules. [Table 6-67](#) provides a summary of the eQEP registers.

**Table 6-67. eQEP Control and Status Registers**

| NAME     | eQEP1 ADDRESS      | eQEP2 ADDRESS      | eQEP1 SIZE(×16)/ #SHADOW | REGISTER DESCRIPTION                   |
|----------|--------------------|--------------------|--------------------------|--|
| QPOSCNT  | 0x6B00             | 0x6B40             | 2/0                      | eQEP Position Counter                  |
| QPOSINIT | 0x6B02             | 0x6B42             | 2/0                      | eQEP Initialization Position Count     |
| QPOSMAX  | 0x6B04             | 0x6B44             | 2/0                      | eQEP Maximum Position Count            |
| QPOSCMP  | 0x6B06             | 0x6B46             | 2/1                      | eQEP Position-compare                  |
| QPOSILAT | 0x6B08             | 0x6B48             | 2/0                      | eQEP Index Position Latch              |
| QPOSSLAT | 0x6B0A             | 0x6B4A             | 2/0                      | eQEP Strobe Position Latch             |
| QPOSLAT  | 0x6B0C             | 0x6B4C             | 2/0                      | eQEP Position Latch                    |
| QUTMR    | 0x6B0E             | 0x6B4E             | 2/0                      | eQEP Unit Timer                        |
| QUPRD    | 0x6B10             | 0x6B50             | 2/0                      | eQEP Unit Period Register              |
| QWDTMR   | 0x6B12             | 0x6B52             | 1/0                      | eQEP Watchdog Timer                    |
| QWDPRD   | 0x6B13             | 0x6B53             | 1/0                      | eQEP Watchdog Period Register          |
| QDECCTL  | 0x6B14             | 0x6B54             | 1/0                      | eQEP Decoder Control Register          |
| QEPCTL   | 0x6B15             | 0x6B55             | 1/0                      | eQEP Control Register                  |
| QCAPCTL  | 0x6B16             | 0x6B56             | 1/0                      | eQEP Capture Control Register          |
| QPOSCTL  | 0x6B17             | 0x6B57             | 1/0                      | eQEP Position-compare Control Register |
| QEINT    | 0x6B18             | 0x6B58             | 1/0                      | eQEP Interrupt Enable Register         |
| QFLG     | 0x6B19             | 0x6B59             | 1/0                      | eQEP Interrupt Flag Register           |
| QCLR     | 0x6B1A             | 0x6B5A             | 1/0                      | eQEP Interrupt Clear Register          |
| QFRC     | 0x6B1B             | 0x6B5B             | 1/0                      | eQEP Interrupt Force Register          |
| QEPSTS   | 0x6B1C             | 0x6B5C             | 1/0                      | eQEP Status Register                   |
| QCTMR    | 0x6B1D             | 0x6B5D             | 1/0                      | eQEP Capture Timer                     |
| QCPRD    | 0x6B1E             | 0x6B5E             | 1/0                      | eQEP Capture Period Register           |
| QCTMRLAT | 0x6B1F             | 0x6B5F             | 1/0                      | eQEP Capture Timer Latch               |
| QCPRDLAT | 0x6B20             | 0x6B60             | 1/0                      | eQEP Capture Period Latch              |
| Reserved | 0x6B21 –<br>0x6B3F | 0x6B61 –<br>0x6B7F | 31/0                     |  |

Figure 6-53 shows the block diagram of the eQEP module.

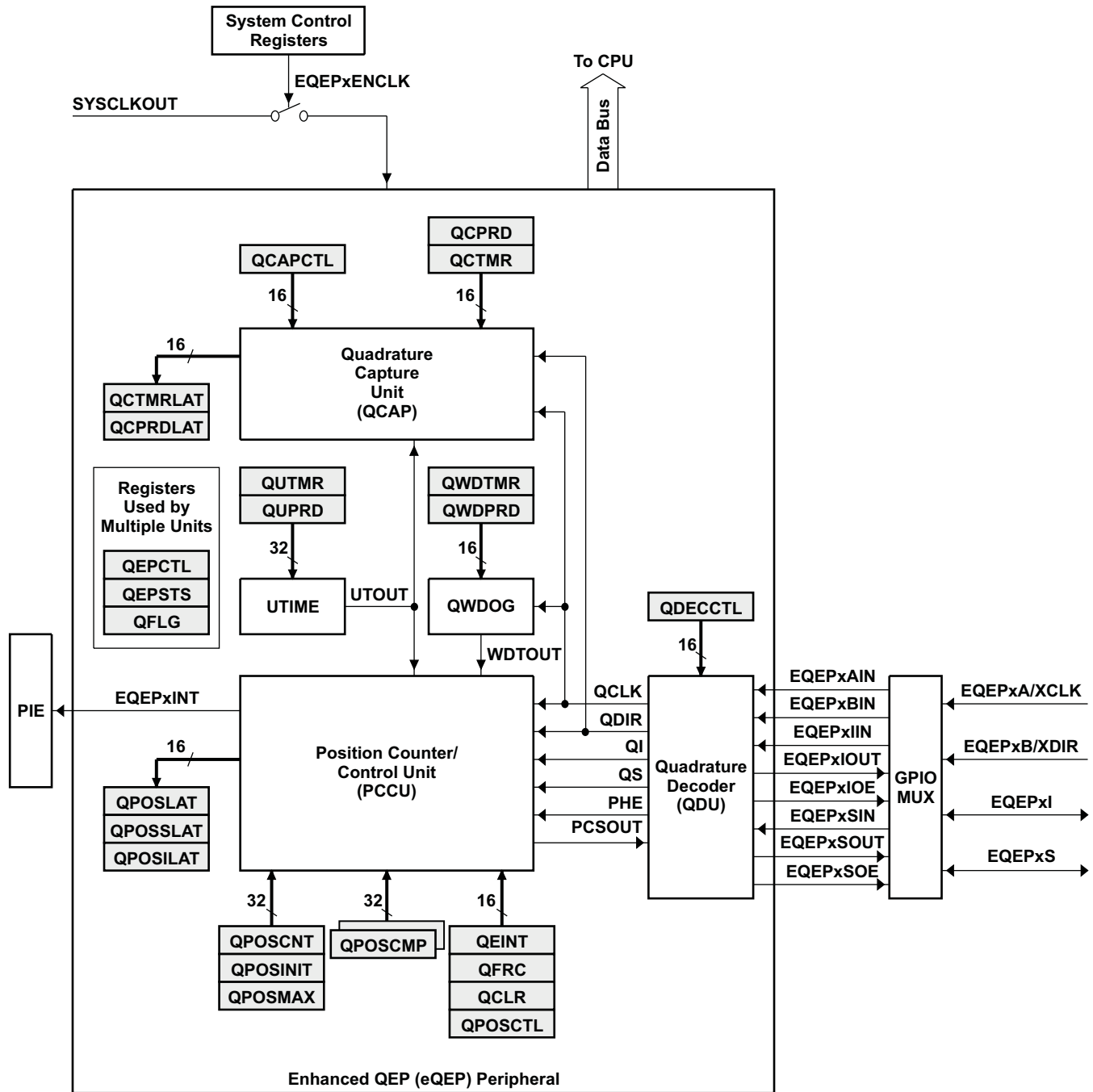


Figure 6-53. eQEP Functional Block Diagram

### 6.9.13.1 eQEP Electrical Data/Timing

Table 6-68 shows the eQEP timing requirement and Table 6-69 shows the eQEP switching characteristics.

**Table 6-68. Enhanced Quadrature Encoder Pulse (eQEP) Timing Requirements<sup>(1)</sup>**

|                 |                           |  | MIN                            | MAX | UNIT   |
|-----------------|---------------------------|--|--------------------------------|-----|--------|
| $t_{w(QEPP)}$   | QEP input period          | Asynchronous <sup>(2)</sup> /Synchronous | $2t_{c(SCO)}$                  |     | cycles |
|                 |                           | With input qualifier                     | $2[1t_{c(SCO)} + t_{w(IQSW)}]$ |     |        |
| $t_{w(INDEXH)}$ | QEP Index Input High time | Asynchronous <sup>(2)</sup> /Synchronous | $2t_{c(SCO)}$                  |     | cycles |
|                 |                           | With input qualifier                     | $2t_{c(SCO)} + t_{w(IQSW)}$    |     |        |
| $t_{w(INDEXL)}$ | QEP Index Input Low time  | Asynchronous <sup>(2)</sup> /Synchronous | $2t_{c(SCO)}$                  |     | cycles |
|                 |                           | With input qualifier                     | $2t_{c(SCO)} + t_{w(IQSW)}$    |     |        |
| $t_{w(STROBH)}$ | QEP Strobe High time      | Asynchronous <sup>(2)</sup> /Synchronous | $2t_{c(SCO)}$                  |     | cycles |
|                 |                           | With input qualifier                     | $2t_{c(SCO)} + t_{w(IQSW)}$    |     |        |
| $t_{w(STROBL)}$ | QEP Strobe Input Low time | Asynchronous <sup>(2)</sup> /Synchronous | $2t_{c(SCO)}$                  |     | cycles |
|                 |                           | With input qualifier                     | $2t_{c(SCO)} + t_{w(IQSW)}$    |     |        |

(1) For an explanation of the input qualifier parameters, see Table 6-76.

(2) Refer to the TMS320F28069, TMS320F28068, TMS320F28067, TMS320F28066, TMS320F28065, TMS320F28064, TMS320F28063, TMS320F28062 *Piccolo MCUs Silicon Errata (SPRZ342)* for limitations in the asynchronous mode.

**Table 6-69. eQEP Switching Characteristics**

over recommended operating conditions (unless otherwise noted)

| PARAMETER           |  | MIN | MAX           | UNIT   |
|---------------------|--|-----|---------------|--------|
| $t_{d(CNTR)xin}$    | Delay time, external clock to counter increment            |     | $4t_{c(SCO)}$ | cycles |
| $t_{d(PCS-OUT)QEP}$ | Delay time, QEP input edge to position compare sync output |     | $6t_{c(SCO)}$ | cycles |

### 6.9.14 JTAG Port

On the 2806x device, the JTAG port is reduced to 5 pins ( $\overline{\text{TRST}}$ , TCK, TDI, TMS, TDO). TCK, TDI, TMS and TDO pins are also GPIO pins. The  $\overline{\text{TRST}}$  signal selects either JTAG or GPIO operating mode for the pins in Figure 6-54. During emulation/debug, the GPIO function of these pins are not available. If the GPIO38/TCK/XCLKIN pin is used to provide an external clock, an alternate clock source should be used to clock the device during emulation/debug because this pin will be needed for the TCK function.

#### NOTE

In 2806x devices, the JTAG pins may also be used as GPIO pins. Care should be taken in the board design to ensure that the circuitry connected to these pins do not affect the emulation capabilities of the JTAG pin function. Any circuitry connected to these pins should not prevent the emulator from driving (or being driven by) the JTAG pins for successful debug.

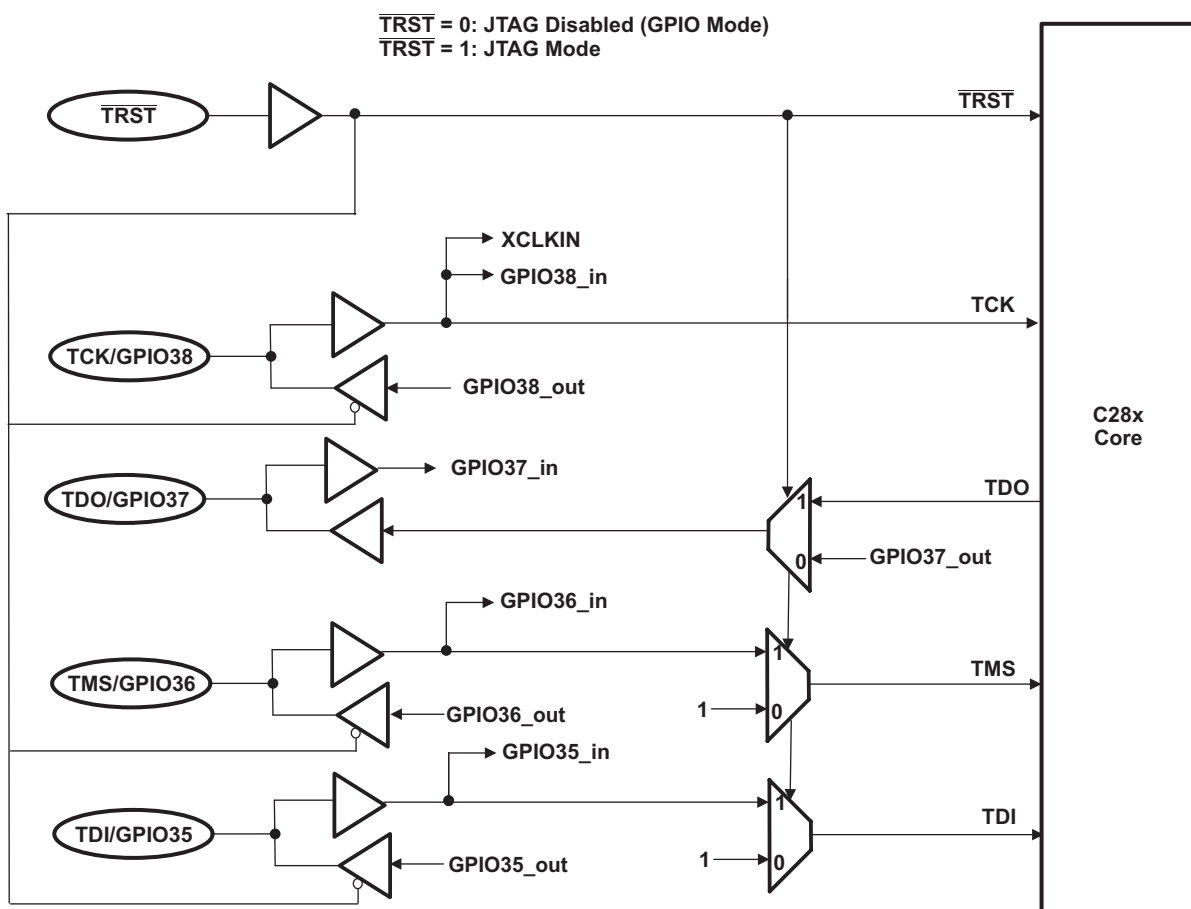


Figure 6-54. JTAG/GPIO Multiplexing

### 6.9.15 General-Purpose Input/Output (GPIO) MUX

The GPIO MUX can multiplex up to three independent peripheral signals on a single GPIO pin in addition to providing individual pin bit-banging I/O capability.

The device supports 45 GPIO pins. The GPIO control and data registers are mapped to Peripheral Frame 1 to enable 32-bit operations on the registers (along with 16-bit operations). [Table 6-70](#) shows the GPIO register mapping.

**Table 6-70. GPIO Registers**

| NAME  | ADDRESS | SIZE (x16) | DESCRIPTION                                       |
|---|---------|------------|---|
| <b>GPIO CONTROL REGISTERS (EALLOW PROTECTED)</b>                              |         |            |   |
| GPACTRL   | 0x6F80  | 2          | GPIO A Control Register (GPIO0 to 31)             |
| GPAQSEL1  | 0x6F82  | 2          | GPIO A Qualifier Select 1 Register (GPIO0 to 15)  |
| GPAQSEL2  | 0x6F84  | 2          | GPIO A Qualifier Select 2 Register (GPIO16 to 31) |
| GPAMUX1   | 0x6F86  | 2          | GPIO A MUX 1 Register (GPIO0 to 15)               |
| GPAMUX2   | 0x6F88  | 2          | GPIO A MUX 2 Register (GPIO16 to 31)              |
| GPADIR  | 0x6F8A  | 2          | GPIO A Direction Register (GPIO0 to 31)           |
| GPAPUD  | 0x6F8C  | 2          | GPIO A Pull Up Disable Register (GPIO0 to 31)     |
| GPBCTRL   | 0x6F90  | 2          | GPIO B Control Register (GPIO32 to 44)            |
| GPBQSEL1  | 0x6F92  | 2          | GPIO B Qualifier Select 1 Register (GPIO32 to 44) |
| GPBQSEL2  | 0x6F94  | 2          | GPIO B Qualifier Select 2 Register                |
| GPBMUX1   | 0x6F96  | 2          | GPIO B MUX 1 Register (GPIO32 to 44)              |
| GPBMUX2   | 0x6F98  | 2          | GPIO B MUX 2 Register (GPIO50 to 58)              |
| GPBDIR  | 0x6F9A  | 2          | GPIO B Direction Register (GPIO32 to 44)          |
| GPBPUD  | 0x6F9C  | 2          | GPIO B Pull Up Disable Register (GPIO32 to 44)    |
| AIOMUX1   | 0x6FB6  | 2          | Analog, I/O mux 1 register (AIO0 to AIO15)        |
| AIODIR  | 0x6FBA  | 2          | Analog, I/O Direction Register (AIO0 to AIO15)    |
| <b>GPIO DATA REGISTERS (NOT EALLOW PROTECTED)</b>                             |         |            |   |
| GPADAT  | 0x6FC0  | 2          | GPIO A Data Register (GPIO0 to 31)                |
| GPASET  | 0x6FC2  | 2          | GPIO A Data Set Register (GPIO0 to 31)            |
| GPACLEAR  | 0x6FC4  | 2          | GPIO A Data Clear Register (GPIO0 to 31)          |
| GPATOGGLE   | 0x6FC6  | 2          | GPIO A Data Toggle Register (GPIO0 to 31)         |
| GPBDAT  | 0x6FC8  | 2          | GPIO B Data Register (GPIO32 to 44)               |
| GPBSET  | 0x6FCA  | 2          | GPIO B Data Set Register (GPIO32 to 44)           |
| GPBCLEAR  | 0x6FCC  | 2          | GPIO B Data Clear Register (GPIO32 to 44)         |
| GPBTOGGLE   | 0x6FCE  | 2          | GPIO B Data Toggle Register (GPIO32 to 44)        |
| AIODAT  | 0x6FD8  | 2          | Analog I/O Data Register (AIO0 to AIO15)          |
| AIOSET  | 0x6FDA  | 2          | Analog I/O Data Set Register (AIO0 to AIO15)      |
| AIOCLEAR  | 0x6FDC  | 2          | Analog I/O Data Clear Register (AIO0 to AIO15)    |
| AIOTOGGLE   | 0x6FDE  | 2          | Analog I/O Data Toggle Register (AIO0 to AIO15)   |
| <b>GPIO INTERRUPT AND LOW POWER MODES SELECT REGISTERS (EALLOW PROTECTED)</b> |         |            |   |
| GPIOXINT1SEL  | 0x6FE0  | 1          | XINT1 GPIO Input Select Register (GPIO0 to 31)    |
| GPIOXINT2SEL  | 0x6FE1  | 1          | XINT2 GPIO Input Select Register (GPIO0 to 31)    |
| GPIOXINT3SEL  | 0x6FE2  | 1          | XINT3 GPIO Input Select Register (GPIO0 to 31)    |
| GPIOLPMSSEL   | 0x6FE8  | 2          | LPM GPIO Select Register (GPIO0 to 31)            |

#### NOTE

There is a two-SYSCLKOUT cycle delay from when the write to the GPxMUXn/AIOMUXn and GPxQSELn registers occurs to when the action is valid.

**Table 6-71. GPIOA MUX<sup>(1) (2)</sup>**

|                                  | DEFAULT AT RESET<br>PRIMARY I/O<br>FUNCTION | PERIPHERAL<br>SELECTION 1  | PERIPHERAL<br>SELECTION 2   | PERIPHERAL<br>SELECTION 3  |
|----------------------------------|---|----------------------------|-----------------------------|----------------------------|
| <b>GPAMUX1 REGISTER<br/>BITS</b> | <b>(GPAMUX1 BITS = 00)</b>                  | <b>(GPAMUX1 BITS = 01)</b> | <b>(GPAMUX1 BITS = 10)</b>  | <b>(GPAMUX1 BITS = 11)</b> |
| 1-0                              | GPIO0                                       | EPWM1A (O)                 | Reserved                    | Reserved                   |
| 3-2                              | GPIO1                                       | EPWM1B (O)                 | Reserved                    | COMP1OUT (O)               |
| 5-4                              | GPIO2                                       | EPWM2A (O)                 | Reserved                    | Reserved                   |
| 7-6                              | GPIO3                                       | EPWM2B (O)                 | SPISOMIA (I/O)              | COMP2OUT (O)               |
| 9-8                              | GPIO4                                       | EPWM3A (O)                 | Reserved                    | Reserved                   |
| 11-10                            | GPIO5                                       | EPWM3B (O)                 | SPISIMOA (I/O)              | ECAP1 (I/O)                |
| 13-12                            | GPIO6                                       | EPWM4A (O)                 | EPWMSYNCl (I)               | EPWMSYNCO (O)              |
| 15-14                            | GPIO7                                       | EPWM4B (O)                 | SCIRXDA (I)                 | ECAP2 (I/O)                |
| 17-16                            | GPIO8                                       | EPWM5A (O)                 | Reserved                    | ADCSOCAO (O)               |
| 19-18                            | GPIO9                                       | EPWM5B (O)                 | SCITXDB (O)                 | ECAP3 (I/O)                |
| 21-20                            | GPIO10                                      | EPWM6A (O)                 | Reserved                    | ADCSOCBO (O)               |
| 23-22                            | GPIO11                                      | EPWM6B (O)                 | SCIRXDB (I)                 | ECAP1 (I/O)                |
| 25-24                            | GPIO12                                      | TZ1 (I)                    | SCITXDA (O)                 | SPISIMOB (I/O)             |
| 27-26                            | GPIO13                                      | TZ2 (I)                    | Reserved                    | SPISOMIB (I/O)             |
| 29-28                            | GPIO14                                      | TZ3 (I)                    | SCITXDB (O)                 | SPICLKB (I/O)              |
| 31-30                            | GPIO15                                      | ECAP2 (I/O)                | SCIRXDB (I)                 | SPISTEB (I/O)              |
| <b>GPAMUX2 REGISTER<br/>BITS</b> | <b>(GPAMUX2 BITS = 00)</b>                  | <b>(GPAMUX2 BITS = 01)</b> | <b>(GPAMUX2 BITS = 10)</b>  | <b>(GPAMUX2 BITS = 11)</b> |
| 1-0                              | GPIO16                                      | SPISIMOA (I/O)             | Reserved                    | TZ2 (I)                    |
| 3-2                              | GPIO17                                      | SPISOMIA (I/O)             | Reserved                    | TZ3 (I)                    |
| 5-4                              | GPIO18                                      | SPICLKA (I/O)              | SCITXDB (O)                 | XCLKOUT (O)                |
| 7-6                              | GPIO19/XCLKIN                               | SPISTEA (I/O)              | SCIRXDB (I)                 | ECAP1 (I/O)                |
| 9-8                              | GPIO20                                      | EQEP1A (I)                 | MDXA (O)                    | COMP1OUT (O)               |
| 11-10                            | GPIO21                                      | EQEP1B (I)                 | MDRA (I)                    | COMP2OUT (O)               |
| 13-12                            | GPIO22                                      | EQEP1S (I/O)               | MCLKXA (I/O)                | SCITXDB (O)                |
| 15-14                            | GPIO23                                      | EQEP1I (I/O)               | MFSXA (I/O)                 | SCIRXDB (I)                |
| 17-16                            | GPIO24                                      | ECAP1 (I/O)                | EQEP2A <sup>(3)</sup> (I)   | SPISIMOB (I/O)             |
| 19-18                            | GPIO25                                      | ECAP2 (I/O)                | EQEP2B <sup>(3)</sup> (I)   | SPISOMIB (I/O)             |
| 21-20                            | GPIO26                                      | ECAP3 (I/O)                | EQEP2I <sup>(3)</sup> (I/O) | SPICLKB (I/O)              |
| 23-22                            | GPIO27                                      | HRCAP2 (I)                 | EQEP2S <sup>(3)</sup> (I/O) | SPISTEB (I/O)              |
| 25-24                            | GPIO28                                      | SCIRXDA (I)                | SDAA (I/OD)                 | TZ2 (I)                    |
| 27-26                            | GPIO29                                      | SCITXDA (O)                | SCLA (I/OD)                 | TZ3 (I)                    |
| 29-28                            | GPIO30                                      | CANRXA (I)                 | EQEP2I <sup>(3)</sup> (I/O) | EPWM7A (O)                 |
| 31-30                            | GPIO31                                      | CANTXA (O)                 | EQEP2S <sup>(3)</sup> (I/O) | EPWM8A (O)                 |

(1) The word "Reserved" means that there is no peripheral assigned to this GPxMUX1/2 register setting. Should it be selected, the state of the pin will be undefined and the pin may be driven. This selection is a reserved configuration for future expansion.

(2) I = Input, O = Output, OD = Open Drain

(3) The eQEP2 peripheral is not available on the 80-pin PN or PFP package.

Table 6-72. GPIOB MUX<sup>(1)(2)</sup>

|                          | DEFAULT AT RESET<br>PRIMARY I/O FUNCTION | PERIPHERAL<br>SELECTION 1  | PERIPHERAL<br>SELECTION 2 | PERIPHERAL<br>SELECTION 3 |
|--------------------------|--|----------------------------|---------------------------|---------------------------|
| GPBMUX1 REGISTER<br>BITS | (GPBMUX1 BITS = 00)                      | (GPBMUX1 BITS = 01)        | (GPBMUX1 BITS = 10)       | (GPBMUX1 BITS = 11)       |
| 1-0                      | GPIO32                                   | SDAA (I/OD)                | EPWMSYNCI (I)             | ADCSOCAO (O)              |
| 3-2                      | GPIO33                                   | SCLA (I/OD)                | EPWMSYNCO (O)             | ADCSOCBO (O)              |
| 5-4                      | GPIO34                                   | COMP2OUT (O)               | Reserved                  | COMP3OUT (O)              |
| 7-6                      | GPIO35 (TDI)                             | Reserved                   | Reserved                  | Reserved                  |
| 9-8                      | GPIO36 (TMS)                             | Reserved                   | Reserved                  | Reserved                  |
| 11-10                    | GPIO37 (TDO)                             | Reserved                   | Reserved                  | Reserved                  |
| 13-12                    | GPIO38/XCLKIN (TCK)                      | Reserved                   | Reserved                  | Reserved                  |
| 15-14                    | GPIO39                                   | Reserved                   | Reserved                  | Reserved                  |
| 17-16                    | GPIO40 <sup>(3)</sup>                    | EPWM7A (O)                 | SCITXDB (O)               | Reserved                  |
| 19-18                    | GPIO41 <sup>(3)</sup>                    | EPWM7B (O)                 | SCIRXDB (I)               | Reserved                  |
| 21-20                    | GPIO42 <sup>(3)</sup>                    | EPWM8A (O)                 | $\overline{TZ1}$ (I)      | COMP1OUT (O)              |
| 23-22                    | GPIO43 <sup>(3)</sup>                    | EPWM8B (O)                 | $\overline{TZ2}$ (I)      | COMP2OUT (O)              |
| 25-24                    | GPIO44 <sup>(3)</sup>                    | MFSRA (I/O)                | SCIRXDB (I)               | EPWM7B (O)                |
| 27-26                    | Reserved                                 | Reserved                   | Reserved                  | Reserved                  |
| 29-28                    | Reserved                                 | Reserved                   | Reserved                  | Reserved                  |
| 31-30                    | Reserved                                 | Reserved                   | Reserved                  | Reserved                  |
| GPBMUX2 REGISTER<br>BITS | (GPBMUX2 BITS = 00)                      | (GPBMUX2 BITS = 01)        | (GPBMUX2 BITS = 10)       | (GPBMUX2 BITS = 11)       |
| 1-0                      | Reserved                                 | Reserved                   | Reserved                  | Reserved                  |
| 3-2                      | Reserved                                 | Reserved                   | Reserved                  | Reserved                  |
| 5-4                      | GPIO50 <sup>(3)</sup>                    | EQEP1A (I)                 | MDXA (O)                  | $\overline{TZ1}$ (I)      |
| 7-6                      | GPIO51 <sup>(3)</sup>                    | EQEP1B (I)                 | MDRA (I)                  | $\overline{TZ2}$ (I)      |
| 9-8                      | GPIO52 <sup>(3)</sup>                    | EQEP1S (I/O)               | MCLKXA (I/O)              | $\overline{TZ3}$ (I)      |
| 11-10                    | GPIO53 <sup>(3)</sup>                    | EQEP1I (I/O)               | MFSXA (I/O)               | Reserved                  |
| 13-12                    | GPIO54 <sup>(3)</sup>                    | SPISIMOA (I/O)             | EQEP2A (I)                | HRCAP1 (I)                |
| 15-14                    | GPIO55 <sup>(3)</sup>                    | SPISOMIA (I/O)             | EQEP2B (I)                | HRCAP2 (I)                |
| 17-16                    | GPIO56 <sup>(3)</sup>                    | SPICLKA (I/O)              | EQEP2I (I/O)              | HRCAP3 (I)                |
| 19-18                    | GPIO57 <sup>(3)</sup>                    | $\overline{SPISTEA}$ (I/O) | EQEP2S (I/O)              | HRCAP4 (I)                |
| 21-20                    | GPIO58 <sup>(3)</sup>                    | MCLKRA (I/O)               | SCITXDB (O)               | EPWM7A (O)                |
| 23-22                    | Reserved                                 | Reserved                   | Reserved                  | Reserved                  |
| 25-24                    | Reserved                                 | Reserved                   | Reserved                  | Reserved                  |
| 27-26                    | Reserved                                 | Reserved                   | Reserved                  | Reserved                  |
| 29-28                    | Reserved                                 | Reserved                   | Reserved                  | Reserved                  |
| 31-30                    | Reserved                                 | Reserved                   | Reserved                  | Reserved                  |

- (1) The word "Reserved" means that there is no peripheral assigned to this GPxMUX1/2 register setting. Should it be selected, the state of the pin will be undefined and the pin may be driven. This selection is a reserved configuration for future expansion.
- (2) I = Input, O = Output, OD = Open Drain
- (3) This pin is not available in the 80-pin PN or PFP package.



**Table 6-73. Analog MUX for 100-Pin PZ and 100-Pin PZP Packages<sup>(1)</sup>**

|                       |   | DEFAULT AT RESET                                  |
|-----------------------|---|---|
|                       | AIO <sub>x</sub> AND PERIPHERAL SELECTION 1 | PERIPHERAL SELECTION 2 AND PERIPHERAL SELECTION 3 |
| AIOMUX1 REGISTER BITS | AIOMUX1 BITS = 0,x                          | AIOMUX1 BITS = 1,x                                |
| 1-0                   | ADCINA0 (I)                                 | ADCINA0 (I)                                       |
| 3-2                   | ADCINA1 (I)                                 | ADCINA1 (I)                                       |
| 5-4                   | AIO2 (I/O)                                  | ADCINA2 (I), COMP1A (I)                           |
| 7-6                   | ADCINA3 (I)                                 | ADCINA3 (I)                                       |
| 9-8                   | AIO4 (I/O)                                  | ADCINA4 (I), COMP2A (I)                           |
| 11-10                 | ADCINA5 (I)                                 | ADCINA5 (I)                                       |
| 13-12                 | AIO6 (I/O)                                  | ADCINA6 (I), COMP3A (I)                           |
| 15-14                 | ADCINA7 (I)                                 | ADCINA7 (I)                                       |
| 17-16                 | ADCINB0 (I)                                 | ADCINB0 (I)                                       |
| 19-18                 | ADCINB1 (I)                                 | ADCINB1 (I)                                       |
| 21-20                 | AIO10 (I/O)                                 | ADCINB2 (I), COMP1B (I)                           |
| 23-22                 | ADCINB3 (I)                                 | ADCINB3 (I)                                       |
| 25-24                 | AIO12 (I/O)                                 | ADCINB4 (I), COMP2B (I)                           |
| 27-26                 | ADCINB5 (I)                                 | ADCINB5 (I)                                       |
| 29-28                 | AIO14 (I/O)                                 | ADCINB6 (I), COMP3B (I)                           |
| 31-30                 | ADCINB7 (I)                                 | ADCINB7 (I)                                       |

(1) I = Input, O = Output

**Table 6-74. Analog MUX for 80-Pin PN and 80-Pin PFP Packages<sup>(1)</sup>**

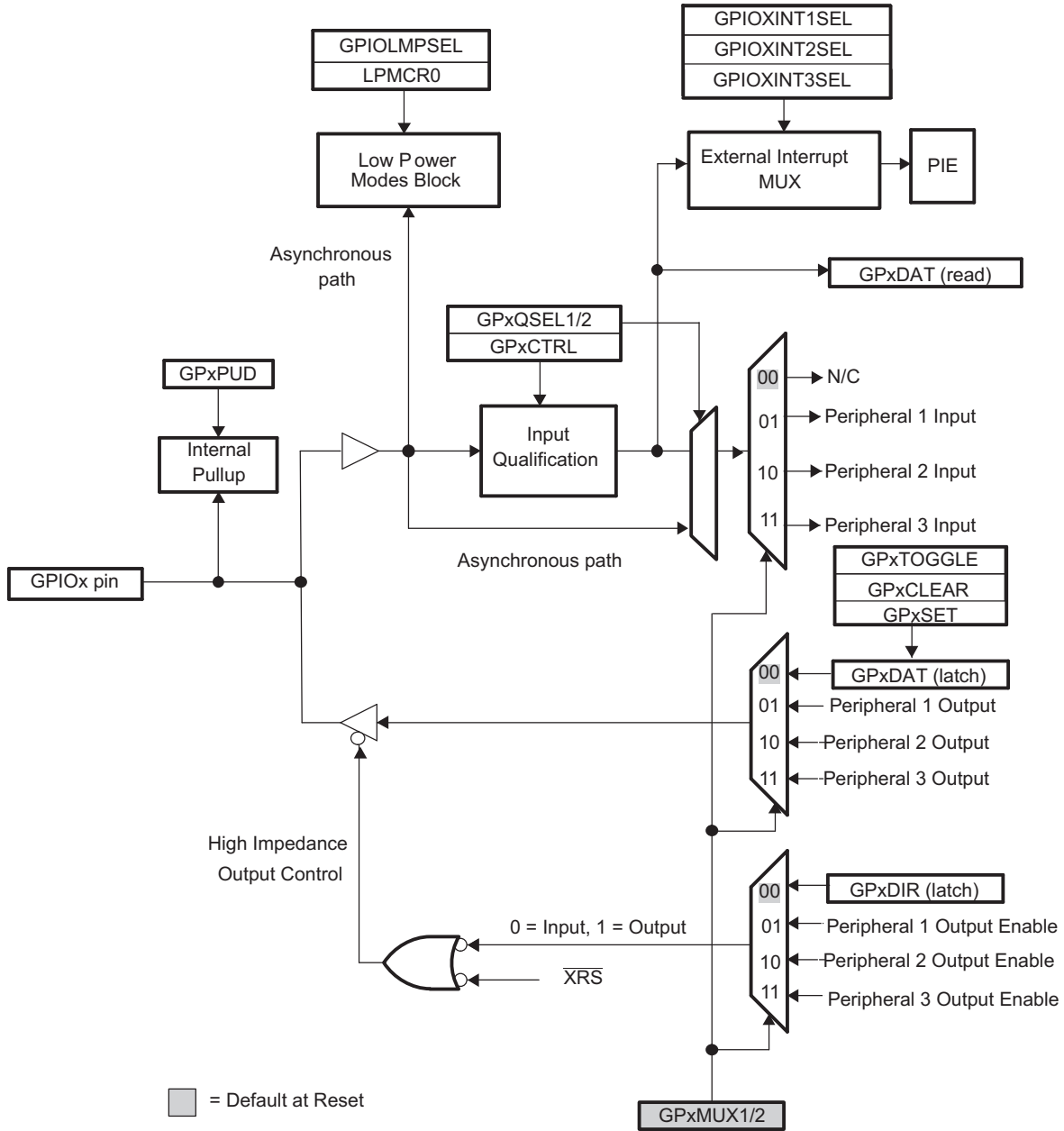
|                       |   | DEFAULT AT RESET                                  |
|-----------------------|---|---|
|                       | AIO <sub>x</sub> AND PERIPHERAL SELECTION 1 | PERIPHERAL SELECTION 2 AND PERIPHERAL SELECTION 3 |
| AIOMUX1 REGISTER BITS | AIOMUX1 BITS = 0,x                          | AIOMUX1 BITS = 1,x                                |
| 1-0                   | ADCINA0 (I), V <sub>REFHI</sub> (I)         | ADCINA0 (I), V <sub>REFHI</sub> (I)               |
| 3-2                   | ADCINA1 (I)                                 | ADCINA1 (I)                                       |
| 5-4                   | AIO2 (I/O)                                  | ADCINA2 (I), COMP1A (I)                           |
| 7-6                   | –   | –   |
| 9-8                   | AIO4 (I/O)                                  | ADCINA4 (I), COMP2A (I)                           |
| 11-10                 | ADCINA5 (I)                                 | ADCINA5 (I)                                       |
| 13-12                 | AIO6 (I/O)                                  | ADCINA6 (I), COMP3A (I)                           |
| 15-14                 | –   | –   |
| 17-16                 | ADCINB0 (I)                                 | ADCINB0 (I)                                       |
| 19-18                 | ADCINB1 (I)                                 | ADCINB1 (I)                                       |
| 21-20                 | AIO10 (I/O)                                 | ADCINB2 (I), COMP1B (I)                           |
| 23-22                 | –   | –   |
| 25-24                 | AIO12 (I/O)                                 | ADCINB4 (I), COMP2B (I)                           |
| 27-26                 | ADCINB5 (I)                                 | ADCINB5 (I)                                       |
| 29-28                 | AIO14 (I/O)                                 | ADCINB6 (I), COMP3B (I)                           |
| 31-30                 | –   | –   |

(1) I = Input, O = Output

The user can select the type of input qualification for each GPIO pin through the GPxQSEL1/2 registers from four choices:

- Synchronization To SYSCLKOUT Only (GPxQSEL1/2 = 0, 0): This is the default mode of all GPIO pins at reset and it simply synchronizes the input signal to the system clock (SYSCLKOUT).
- Qualification Using Sampling Window (GPxQSEL1/2 = 0, 1 and 1, 0): In this mode the input signal, after synchronization to the system clock (SYSCLKOUT), is qualified by a specified number of cycles before the input is allowed to change.
- The sampling period is specified by the QUALPRD bits in the GPxCTRL register and is configurable in groups of 8 signals. The sampling period specifies a multiple of SYSCLKOUT cycles for sampling the input signal. The sampling window is either 3-samples or 6-samples wide and the output is only changed when ALL samples are the same (all 0s or all 1s) as shown in Figure 4-18 (for 6 sample mode).
- No Synchronization (GPxQSEL1/2 = 1,1): This mode is used for peripherals where synchronization is not required (synchronization is performed within the peripheral).

Due to the multilevel multiplexing that is required on the device, there may be cases where a peripheral input signal can be mapped to more than one GPIO pin. Also, when an input signal is not selected, the input signal will default to either a 0 or 1 state, depending on the peripheral.



- x stands for the port, either A or B. For example, GPxDIR refers to either the GPADIR and GPBDIR register depending on the particular GPIO pin selected.
- GPxDAT latch/read are accessed at the same memory location.
- This is a generic GPIO MUX block diagram. Not all options may be applicable for all GPIO pins. See the Systems Control and Interrupts chapter of the *TMS320x2806x Piccolo Technical Reference Manual (SPRUH18)* for pin-specific variations.

Figure 6-55. GPIO Multiplexing

## 6.9.15.1 GPIO Electrical Data/Timing

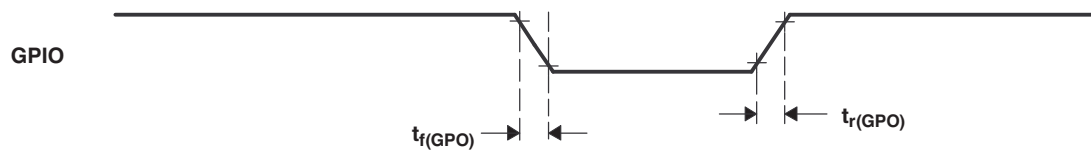
### 6.9.15.1.1 GPIO Output Timing

**Table 6-75. General-Purpose Output Switching Characteristics**

over recommended operating conditions (unless otherwise noted)

| PARAMETER    |                                       |           | MIN | MAX               | UNIT |
|--------------|---------------------------------------|-----------|-----|-------------------|------|
| $t_{r(GPO)}$ | Rise time, GPIO switching low to high | All GPIOs |     | 13 <sup>(1)</sup> | ns   |
| $t_{f(GPO)}$ | Fall time, GPIO switching high to low | All GPIOs |     | 13 <sup>(1)</sup> | ns   |
| $f_{GPO}$    | Toggling frequency                    |           |     | 22.5              | MHz  |

(1) Rise time and fall time vary with electrical loading on I/O pins. Values given in Table 6-75 are applicable for a 40-pF load on I/O pins.



**Figure 6-56. General-Purpose Output Timing**

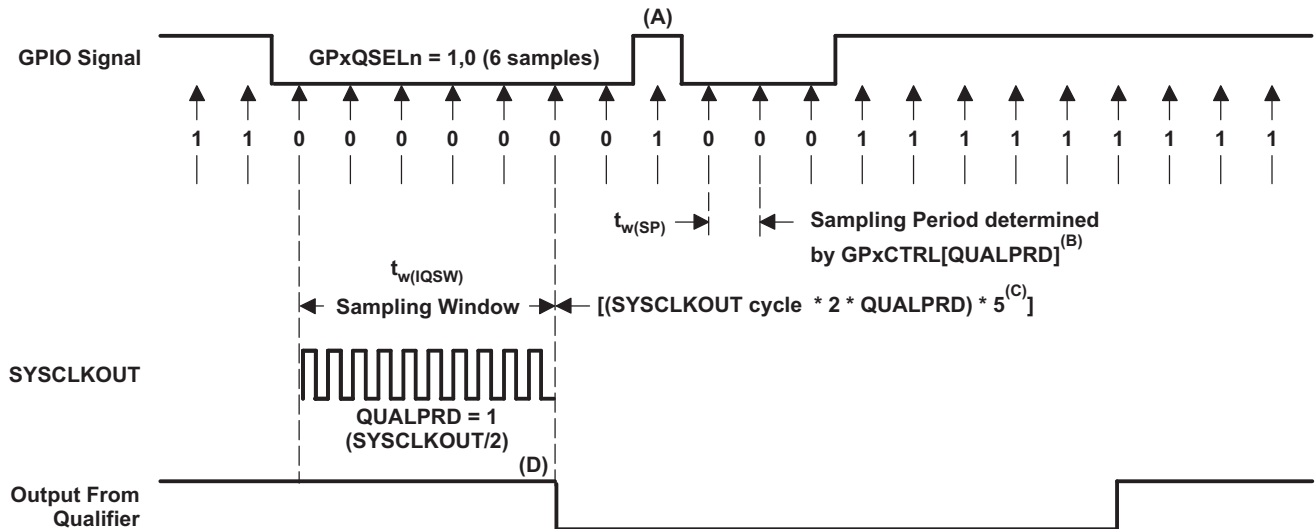
6.9.15.1.2 GPIO Input Timing

Table 6-76. General-Purpose Input Timing Requirements

|  |                      | MIN                                     | MAX | UNIT   |
|--|----------------------|---|-----|--------|
| $t_{w(SP)}$ Sampling period                      | QUALPRD = 0          | $1t_{c(SCO)}$                           |     | cycles |
|  | QUALPRD $\neq$ 0     | $2t_{c(SCO)} * QUALPRD$                 |     |        |
| $t_{w(IQSW)}$ Input qualifier sampling window    |                      | $t_{w(SP)} * (n^{(1)} - 1)$             |     | cycles |
| $t_{w(GPI)}^{(2)}$ Pulse duration, GPIO low/high | Synchronous mode     | $2t_{c(SCO)}$                           |     | cycles |
|  | With input qualifier | $t_{w(IQSW)} + t_{w(SP)} + 1t_{c(SCO)}$ |     |        |

(1) "n" represents the number of qualification samples as defined by GPxQSELn register.

(2) For  $t_{w(GPI)}$ , pulse width is measured from  $V_{IL}$  to  $V_{IL}$  for an active-low signal and  $V_{IH}$  to  $V_{IH}$  for an active-high signal.



- A. This glitch will be ignored by the input qualifier. The QUALPRD bit field specifies the qualification sampling period. The QUALPRD bit field value can vary from 00 to 0xFF. If QUALPRD = 00, then the sampling period is one SYSCLKOUT cycle. For any other value "n", the qualification sampling period is 2n SYSCLKOUT cycles (that is, at every 2n SYSCLKOUT cycles, the GPIO pin will be sampled).
- B. The qualification period selected through the GPxCTRL register applies to groups of 8 GPIO pins.
- C. The qualification block can take either three or six samples. The GPxQSELn Register selects which sample mode is used.
- D. In the example shown, for the qualifier to detect the change, the input should be stable for 10 SYSCLKOUT cycles or greater. In other words, the inputs should be stable for  $(5 * QUALPRD * 2)$  SYSCLKOUT cycles. This would ensure 5 sampling periods for detection to occur. Because external signals are driven asynchronously, a 13-SYSCLKOUT-wide pulse ensures reliable recognition.

Figure 6-57. Sampling Mode

### 6.9.15.1.3 Sampling Window Width for Input Signals

The following section summarizes the sampling window width for input signals for various input qualifier configurations.

Sampling frequency denotes how often a signal is sampled with respect to SYSCLKOUT.

Sampling frequency =  $\text{SYSCLKOUT} / (2 * \text{QUALPRD})$ , if  $\text{QUALPRD} \neq 0$

Sampling frequency =  $\text{SYSCLKOUT}$ , if  $\text{QUALPRD} = 0$

Sampling period =  $\text{SYSCLKOUT cycle} \times 2 \times \text{QUALPRD}$ , if  $\text{QUALPRD} \neq 0$

In the above equations, SYSCLKOUT cycle indicates the time period of SYSCLKOUT.

Sampling period =  $\text{SYSCLKOUT cycle}$ , if  $\text{QUALPRD} = 0$

In a given sampling window, either three or six samples of the input signal are taken to determine the validity of the signal. This is determined by the value written to GPxQSELn register.

#### Case 1:

Qualification using three samples

Sampling window width =  $(\text{SYSCLKOUT cycle} \times 2 \times \text{QUALPRD}) \times 2$ , if  $\text{QUALPRD} \neq 0$

Sampling window width =  $(\text{SYSCLKOUT cycle}) \times 2$ , if  $\text{QUALPRD} = 0$

#### Case 2:

Qualification using six samples

Sampling window width =  $(\text{SYSCLKOUT cycle} \times 2 \times \text{QUALPRD}) \times 5$ , if  $\text{QUALPRD} \neq 0$

Sampling window width =  $(\text{SYSCLKOUT cycle}) \times 5$ , if  $\text{QUALPRD} = 0$

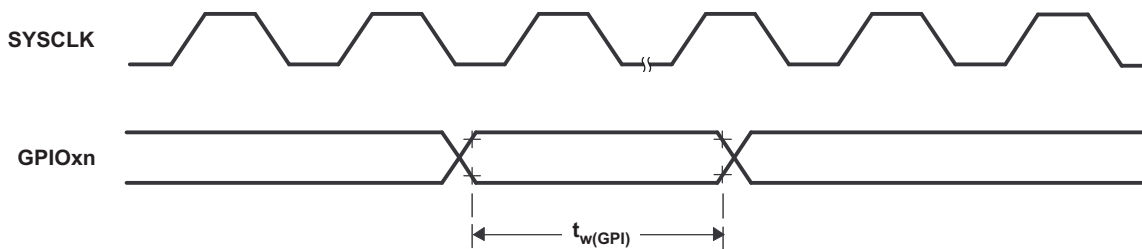


Figure 6-58. General-Purpose Input Timing

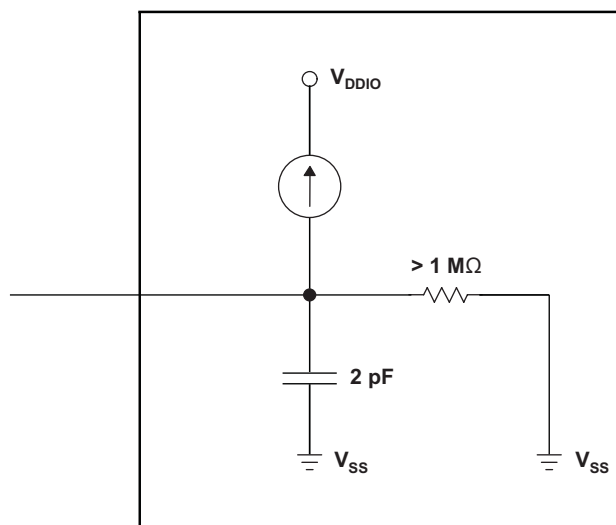


Figure 6-59. Input Resistance Model for a GPIO Pin With an Internal Pullup

6.9.15.1.4 Low-Power Mode Wakeup Timing

Table 6-77 shows the timing requirements, Table 6-78 shows the switching characteristics, and Figure 6-60 shows the timing diagram for IDLE mode.

Table 6-77. IDLE Mode Timing Requirements<sup>(1)</sup>

|                   |   | MIN                     | MAX                         | UNIT   |
|-------------------|---|-------------------------|-----------------------------|--------|
| $t_{w(WAKE-INT)}$ | Pulse duration, external wake-up signal | Without input qualifier | $2t_{c(SCO)}$               | cycles |
|                   |   | With input qualifier    | $5t_{c(SCO)} + t_{w(IQSW)}$ |        |

(1) For an explanation of the input qualifier parameters, see Table 6-76.

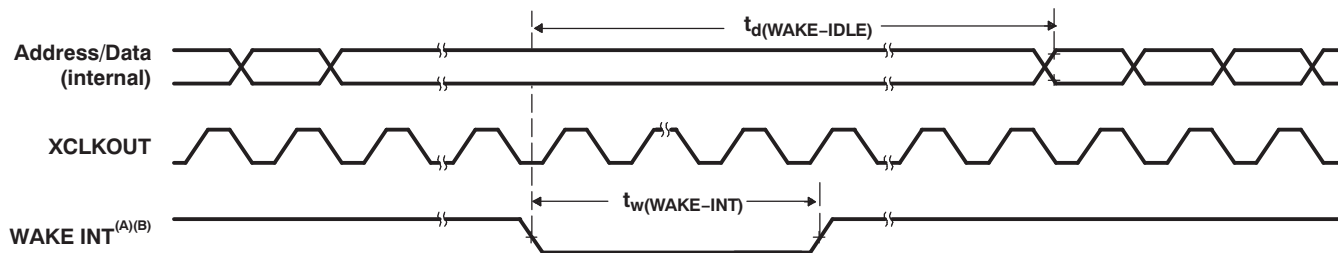
Table 6-78. IDLE Mode Switching Characteristics<sup>(1)</sup>

over recommended operating conditions (unless otherwise noted)

| PARAMETER            | TEST CONDITIONS   | MIN                     | MAX                          | UNIT                           |        |
|----------------------|---|-------------------------|------------------------------|--------------------------------|--------|
| $t_{d(WAKE-IDLE)}$   | Delay time, external wake signal to program execution resume <sup>(2)</sup> |                         |                              | cycles                         |        |
|                      | • Wake-up from flash<br>– Flash module in active state                      | Without input qualifier |                              | $20t_{c(SCO)}$                 | cycles |
|                      |   | With input qualifier    |                              | $20t_{c(SCO)} + t_{w(IQSW)}$   |        |
|                      | • Wake-up from flash<br>– Flash module in sleep state                       | Without input qualifier |                              | $1050t_{c(SCO)}$               | cycles |
|                      |   | With input qualifier    |                              | $1050t_{c(SCO)} + t_{w(IQSW)}$ |        |
|                      | • Wake-up from SARAM  | Without input qualifier |                              | $20t_{c(SCO)}$                 | cycles |
| With input qualifier |   |                         | $20t_{c(SCO)} + t_{w(IQSW)}$ |                                |        |

(1) For an explanation of the input qualifier parameters, see Table 6-76.

(2) This is the time taken to begin execution of the instruction that immediately follows the IDLE instruction. execution of an ISR (triggered by the wake-up) signal involves additional latency.



- A. WAKE INT can be any enabled interrupt,  $\overline{WDINT}$  or  $\overline{XRS}$ . After the IDLE instruction is executed, a delay of five OSCCLK cycles (minimum) is needed before the wake-up signal could be asserted.
- B. From the time the IDLE instruction is executed to place the device into low-power mode (LPM), wakeup should not be initiated until at least four OSCCLK cycles have elapsed.

Figure 6-60. IDLE Entry and Exit Timing

**Table 6-79. STANDBY Mode Timing Requirements**

|                   |   |   | MIN                               | MAX | UNIT   |
|-------------------|---|---|-----------------------------------|-----|--------|
| $t_{w(WAKE-INT)}$ | Pulse duration, external wake-up signal | Without input qualification             | $3t_{c(OSCCLK)}$                  |     | cycles |
|                   |   | With input qualification <sup>(1)</sup> | $(2 + QUALSTDBY) * t_{c(OSCCLK)}$ |     |        |

(1) QUALSTDBY is a 6-bit field in the LPMCR0 register.

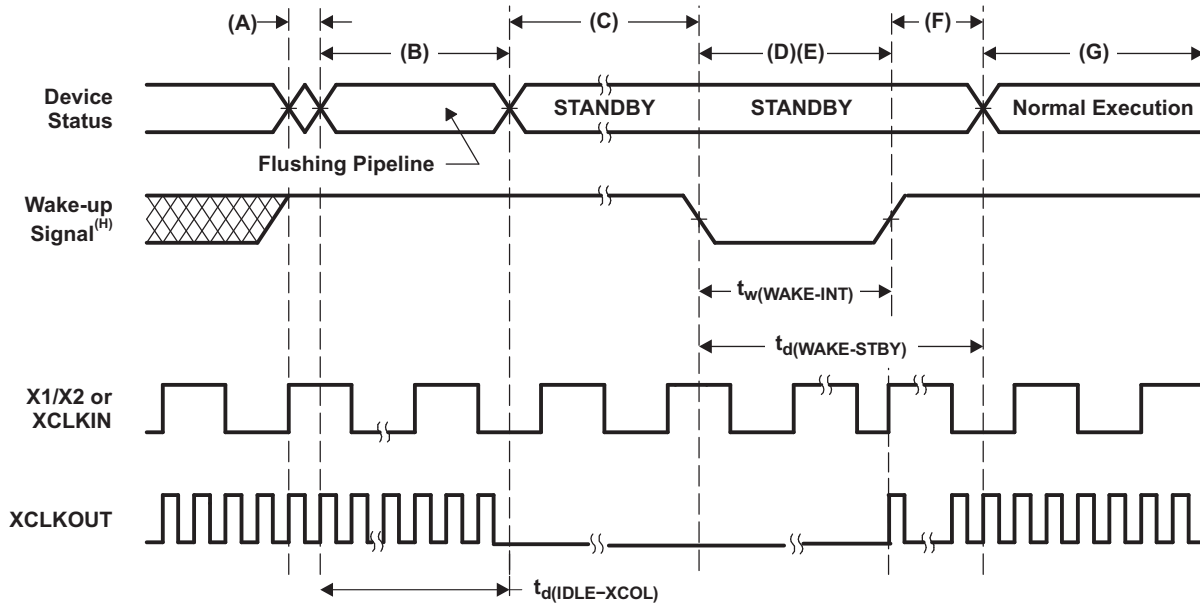
**Table 6-80. STANDBY Mode Switching Characteristics**

over recommended operating conditions (unless otherwise noted)

| PARAMETER            |   | TEST CONDITIONS                   | MIN                                | MAX            | UNIT   |
|----------------------|---|-----------------------------------|------------------------------------|----------------|--------|
| $t_{d(IDLE-XCOL)}$   | Delay time, IDLE instruction executed to XCLKOUT low                        |                                   | $32t_{c(SCO)}$                     | $45t_{c(SCO)}$ | cycles |
| $t_{d(WAKE-STBY)}$   | Delay time, external wake signal to program execution resume <sup>(1)</sup> |                                   |                                    |                | cycles |
|                      | • Wake up from flash<br>– Flash module in active state                      | Without input qualifier           | $100t_{c(SCO)}$                    |                | cycles |
|                      |   | With input qualifier              | $100t_{c(SCO)} + t_{w(WAKE-INT)}$  |                |        |
|                      | • Wake up from flash<br>– Flash module in sleep state                       | Without input qualifier           | $1125t_{c(SCO)}$                   |                | cycles |
|                      |   | With input qualifier              | $1125t_{c(SCO)} + t_{w(WAKE-INT)}$ |                |        |
|                      | • Wake up from SARAM  | Without input qualifier           | $100t_{c(SCO)}$                    |                | cycles |
| With input qualifier |   | $100t_{c(SCO)} + t_{w(WAKE-INT)}$ |                                    |                |        |

(1) This is the time taken to begin execution of the instruction that immediately follows the IDLE instruction. execution of an ISR (triggered by the wake up signal) involves additional latency.





- A. IDLE instruction is executed to put the device into STANDBY mode.
- B. The PLL block responds to the STANDBY signal. SYSCLKOUT is held for the number of cycles indicated below before being turned off:
  - 16 cycles, when DIVSEL = 00 or 01
  - 32 cycles, when DIVSEL = 10
  - 64 cycles, when DIVSEL = 11
 This delay enables the CPU pipeline and any other pending operations to flush properly.
- C. Clock to the peripherals are turned off. However, the PLL and watchdog are not shut down. The device is now in STANDBY mode. After the IDLE instruction is executed, a delay of five OSCCLK cycles (minimum) is needed before the wake-up signal could be asserted.
- D. The external wake-up signal is driven active.
- E. The wake-up signal fed to a GPIO pin to wake up the device must meet the minimum pulse width requirement. Furthermore, this signal must be free of glitches. If a noisy signal is fed to a GPIO pin, the wake-up behavior of the device will not be deterministic and the device may not exit low-power mode for subsequent wake-up pulses.
- F. After a latency period, the STANDBY mode is exited.
- G. Normal execution resumes. The device will respond to the interrupt (if enabled).
- H. From the time the IDLE instruction is executed to place the device into low-power mode (LPM), wakeup should not be initiated until at least four OSCCLK cycles have elapsed.

Figure 6-61. STANDBY Entry and Exit Timing Diagram

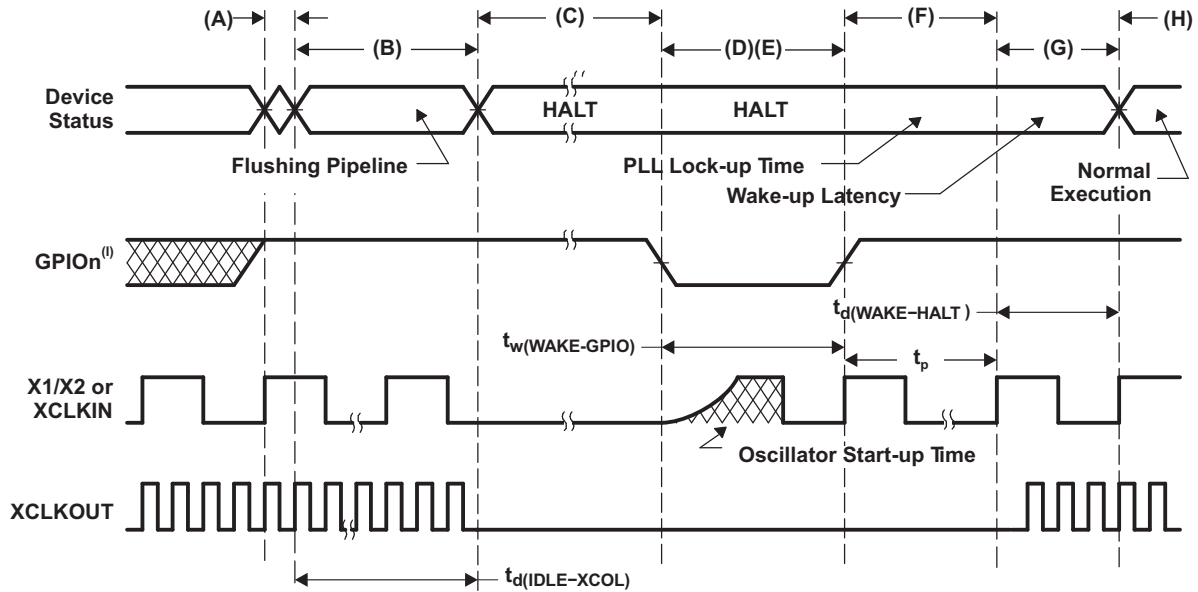
Table 6-81. HALT Mode Timing Requirements

|                    |  | MIN                          | MAX | UNIT   |
|--------------------|--|------------------------------|-----|--------|
| $t_{w(WAKE-GPIO)}$ | Pulse duration, GPIO wake-up signal            | $t_{oscst} + 2t_{c(OSCCLK)}$ |     | cycles |
| $t_{w(WAKE-XRS)}$  | Pulse duration, $\overline{XRS}$ wakeup signal | $t_{oscst} + 8t_{c(OSCCLK)}$ |     | cycles |

Table 6-82. HALT Mode Switching Characteristics

over recommended operating conditions (unless otherwise noted)

| PARAMETER          |   | MIN            | MAX              | UNIT   |
|--------------------|---|----------------|------------------|--------|
| $t_{d(IDLE-XCOL)}$ | Delay time, IDLE instruction executed to XCLKOUT low  | $32t_{c(SCO)}$ | $45t_{c(SCO)}$   | cycles |
| $t_p$              | PLL lock-up time  |                | 1                | ms     |
| $t_{d(WAKE-HALT)}$ | Delay time, PLL lock to program execution resume  |                | $1125t_{c(SCO)}$ | cycles |
|                    | <ul style="list-style-type: none"> <li>• Wake up from flash                             <ul style="list-style-type: none"> <li>– Flash module in sleep state</li> </ul> </li> <li>• Wake up from SARAM</li> </ul> |                | $35t_{c(SCO)}$   | cycles |



- A. IDLE instruction is executed to put the device into HALT mode.
- B. The PLL block responds to the HALT signal. SYSCLKOUT is held for the number of cycles indicated below before oscillator is turned off and the CLKIN to the core is stopped:
  - 16 cycles, when DIVSEL = 00 or 01
  - 32 cycles, when DIVSEL = 10
  - 64 cycles, when DIVSEL = 11
 This delay enables the CPU pipeline and any other pending operations to flush properly.
- C. Clocks to the peripherals are turned off and the PLL is shut down. If a quartz crystal or ceramic resonator is used as the clock source, the internal oscillator is shut down as well. The device is now in HALT mode and consumes absolute minimum power. It is possible to keep the zero-pin internal oscillators (INTOSC1 and INTOSC2) and the watchdog alive in HALT mode. This is done by writing to the appropriate bits in the CLKCTL register. After the IDLE instruction is executed, a delay of five OSCCLK cycles (minimum) is needed before the wake-up signal could be asserted.
- D. When the GPIO pin (used to bring the device out of HALT) is driven low, the oscillator is turned on and the oscillator wake-up sequence is initiated. The GPIO pin should be driven high only after the oscillator has stabilized. This enables the provision of a clean clock signal during the PLL lock sequence. Because the falling edge of the GPIO pin asynchronously begins the wakeup procedure, care should be taken to maintain a low-noise environment before entering and during HALT mode.
- E. The wake-up signal fed to a GPIO pin to wake up the device must meet the minimum pulse width requirement. Furthermore, this signal must be free of glitches. If a noisy signal is fed to a GPIO pin, the wake-up behavior of the device will not be deterministic and the device may not exit low-power mode for subsequent wake-up pulses.
- F. Once the oscillator has stabilized, the PLL lock sequence is initiated, which takes 1 ms.
- G. When CLKIN to the core is enabled, the device will respond to the interrupt (if enabled), after a latency. The HALT mode is now exited.
- H. Normal operation resumes.
- I. From the time the IDLE instruction is executed to place the device into low-power mode (LPM), wakeup should not be initiated until at least four OSCCLK cycles have elapsed.

**Figure 6-62. HALT Wake-Up Using GPIO**

## 6.9.16 Universal Serial Bus (USB)

### 6.9.16.1 USB Electrical Data/Timing

**Table 6-83. USB Input Ports DP and DM Timing Requirements**

|                 |                                      | V <sub>CC</sub> | MIN | MAX | UNIT |
|-----------------|--------------------------------------|-----------------|-----|-----|------|
| V(CM)           | Differential input common mode range |                 | 0.8 | 2.5 | V    |
| Z(IN)           | Input impedance                      |                 | 300 |     | kΩ   |
| VCRS            | Crossover voltage                    |                 | 1.3 | 2.0 | V    |
| V <sub>IL</sub> | Static SE input logic-low level      |                 | 0.8 |     | V    |
| V <sub>IH</sub> | Static SE input logic-high level     |                 |     | 2.0 | V    |
| VDI             | Differential input voltage           |                 |     | 0.2 | V    |

**Table 6-84. USB Output Ports DP and DM Switching Characteristics**

over recommended operating conditions (unless otherwise noted)

| PARAMETER       | TEST CONDITIONS  | V <sub>CC</sub> | MIN | MAX | UNIT |
|-----------------|--|-----------------|-----|-----|------|
| V <sub>OH</sub> | D+, D– single-ended<br>USB 2.0 load conditions                                       |                 | 2.8 | 3.6 | V    |
| V <sub>OL</sub> | D+, D– single-ended<br>USB 2.0 load conditions                                       |                 | 0   | 0.3 | V    |
| Z(DRV)          | D+, D– impedance   |                 | 28  | 44  | Ω    |
| t <sub>r</sub>  | Rise time<br>Full speed, differential, C <sub>L</sub> = 50 pF,<br>10%/90%, Rpu on D+ |                 | 4   | 20  | ns   |
| t <sub>f</sub>  | Fall time<br>Full speed, differential, C <sub>L</sub> = 50 pF,<br>10%/90%, Rpu on D+ |                 | 4   | 20  | ns   |

## 7 Applications, Implementation, and Layout

---

### NOTE

Information in the following sections is not part of the TI component specification, and TI does not warrant its accuracy or completeness. TI's customers are responsible for determining suitability of components for their purposes. Customers should validate and test their design implementation to confirm system functionality.

View the [Important Notice for TI Designs](#) covering authorized use, intellectual property matters and disclaimers.

---

### 7.1 TI Design or Reference Design

TI Designs Reference Design Library is a robust reference design library spanning analog, embedded processor and connectivity. Created by TI experts to help you jump start your system design, all TI Designs include schematic or block diagrams, BOMs and design files to speed your time to market. Search and download designs at [ti.com/tidesigns](http://ti.com/tidesigns).

#### 7.1.1 *Digitally Controlled Non-Isolated DC/DC Buck Converter Reference Design*

[TIDM-DC-DC-BUCK](#) — This design implements a non-isolated DC/DC buck converter that is digitally controlled using a C2000 microcontroller. The main purpose of this design is to evaluate the powerSUITE Digital Power Software tools. The design consists of two separate boards: 1) Digital Power BoosterPack™ Plug-in Module and 2) C2000 F28069M LaunchPad™ Development Kit or C2000 F28377S LaunchPad Development Kit.

#### 7.1.2 *672W Highly Integrated Reference Design for Automotive Bidirectional 48V-12V Converter*

[TIDA-00558](#) — Today's automotive power consumption is 3KW, which will increase to 10KW in the next 5 years. A 12-V battery is unable to provide that much power. The 48-12V bidirectional converter provides a high-power requirement solution with two phases, each capable of running 28 A. This solution allows bidirectional current control of both phases using a C2000 control stick and firmware OCP and OVP. The 48-12V bidirectional converter removes the voltage conditioner need and distributes loads more evenly. The 48-V battery is used to power high-torque motors and other high-power components, such as A/C compressors and EPS, with no change to 12-V battery loads.

#### 7.1.3 *System-on-Module for Power Line Communication Reference Design*

[TIDM-SOMPLC-F28PLC84](#) — The SOMPLC-F28PLC84 is a single-board System-on-Module (SOM) for PLC in the CENELEC frequency band. This single hardware design supports several popular PLC industry standards, including PRIME, G3-PLC, and IEEE-1901.2. The SOMPLC-F28PLC84 replaces the earlier SOMPLC-F28PLC83 and is fully hardware- and software-compatible with the earlier design.

#### 7.1.4 *G3 Power Line Communications Data Concentrator on BeagleBone Black Platform*

[TIDEP0023](#) — This Power Line Communications (PLC) Data Concentrator design offers a simplified approach for evaluating G3-PLC utilizing Beagle Bone Black powered by the AM335x Sitara™ processor. Users can establish a G3-PLC network with one service node. Single-phase coupling is supported.

#### 7.1.5 *Texas Instruments' Power Line Communication Developer's Kit - V3*

[TIDM-TMDSPLCKIT-V3](#) — The TI PLC Developer's Kit is the best way to evaluate TI's PLC technology for use in industrial applications such as Smart Grid AMI networks and solar inverters. Due to TI's flexible PLC architecture, this one kit can be used for evaluating several different PLC standards (PRIME, G3, PLC Lite), allowing developers to choose the PLC technology that best fits their application. This developer's kit enables users to perform PLC tests on live power networks quickly while making it easier to write their own application software.

### 7.1.6 DC Power Line Communication (PLC) Reference Design

[TIDA-00067](#) — The DC (24 V, nominal) Power-Line Communication (PLC) reference design is intended as an evaluation module that customers can use to develop end-products for industrial applications, leveraging the capability to deliver both power and communications over the same DC power line. The reference design provides a complete design guide for the hardware and firmware design of a master (PLC) node, slave (PLC) node in an extremely small (approximately 1-inch diameter) industrial form factor.

## 7.2 Development Tools

### 7.2.1 F28069 Piccolo controlCARD

[TMDSNCND28069](#) — The C2000 controlCARDS from Texas Instruments are ideal products for OEMs to use for initial software development and short-run builds for system prototypes, test stands, and many other projects that require easy access to high-performance controllers. The controlCARDS are complete board-level modules that utilize an industry-standard DIMM form factor to provide a low-profile, single-board controller solution. All of the C2000 controlCARDS use the same 100-pin connector footprint to provide the analog and digital I/Os on-board controller and are completely interchangeable. The host system needs to provide only a single 5-V power rail to the controlCARD for it to be fully functional.

### 7.2.2 F28069 Piccolo controlSTICK

[TMDS28069USB](#) — The innovative Piccolo controlSTICK allows quick and easy evaluation all of the advanced capabilities of TI's Piccolo microcontroller. Slightly larger than a memory stick, the Piccolo controlSTICK features on-board JTAG emulation and access to all control peripherals. Example projects walk the user through the advanced functionality of Piccolo, from simply blinking an LED to configuring the high resolution ePWM peripherals.

### 7.2.3 F28069 Piccolo Experimenter Kit

[TMDSDOCK28069](#) — The C2000 experimenter kits from Texas Instruments are ideal products for OEMs to use for initial device exploration and testing. The Piccolo F28069 Experimenter Kit has a docking station that features on-board USB JTAG emulation, access to all controlCARD signals, breadboard areas and RS-232 and JTAG connectors. Each kit contains a F28069 controlCARD. The controlCARD is a complete board-level module that utilizes an industry-standard DIMM form factor to provide a low-profile, single-board controller solution. The kit is complete with Code Composer Studio IDE and USB cable.

## 7.3 Software Tools

### 7.3.1 controlSUITE Software Suite

[CONTROLSUITE](#) — controlSUITE™ for C2000 microcontrollers is a cohesive set of software infrastructure and software tools designed to minimize software development time.

### 7.3.2 Code Composer Studio (CCS) Integrated Development Environment (IDE)

[CCSTUDIO](#) — Code Composer Studio is an integrated development environment (IDE) that supports TI's Microcontroller and Embedded Processors portfolio. Code Composer Studio comprises a suite of tools used to develop and debug embedded applications. It includes an optimizing C/C++ compiler, source code editor, project build environment, debugger, profiler, and many other features.

### 7.3.3 Pin Mux Tool

[PINMUXTOOL](#) — The Pin Mux Utility is a software tool which provides a Graphical User Interface for configuring pin multiplexing settings, resolving conflicts and specifying I/O cell characteristics for TI MPUs.

## 7.4 Training

### 7.4.1 InstaSPIN-FOC LaunchPad and BoosterPack

This six-part series provides information about the C2000 InstaSPIN-FOC Motor Control LaunchPad Development Kit and BoosterPack Plug-in Module.

The InstaSPIN-FOC enabled C2000 Piccolo LaunchPad is an inexpensive evaluation platform designed to help you leap right into the world of sensorless motor control using the InstaSPIN-FOC solution.

[Part 1: Introduction and Overview](#)

[Part 2: Identifying Your Motor](#)

[Part 3: Zero Speed, Low Speed, & Tuning](#)

### 7.4.2 C2000 Architecture and Peripherals

[C2000 Architecture and Peripherals](#) — The C2000 family of microcontrollers contains a unique mix of innovative and cutting-edge peripherals along with a very capable C28x core. This video goes over the core architecture and every peripheral offered on C2000 devices.

### 7.4.3 Piccolo Control Law Accelerator (CLA) Technical Overview

[Piccolo Control Law Accelerator \(CLA\) Technical Overview](#) — This technical overview of the C2000 Piccolo TMS320F2803x Control Law Accelerator (CLA) that describes how the independent, 32-bit floating-point math accelerator runs in parallel with the C28x core.

## 8 器件和文档支持

### 8.1 器件支持

#### 8.1.1 开发支持

德州仪器 (TI) 为 C28x 系列 MCU 提供了大量的开发工具，其中包括用于评估处理器性能、生成代码、开发算法执行的工具，以及完全集成和调试软件和硬件模块的工具。

下列产品支持开发基于 2806x 的应用：

##### 软件开发工具

- Code Composer Studio™集成开发环境 (IDE)
  - C/C++ 编译器
  - 代码生成工具
  - 汇编器/连接器
  - 周期精确模拟器
- 应用算法
- 示例 应用 代码

##### 硬件开发工具

- 开发和评估工具
- 基于 JTAG 的仿真器 - XDS510™类别, XDS560™仿真器, XDS100
- 闪存编程工具
- 电源
- 文档和线缆

#### 8.1.1.1 使用入门

重要链接包括：

1. [C2000 实时控制 MCU 使用入门](#)
2. [电机驱动与控制](#)
3. [数字电源](#)
4. [高性能 MCU 的工具和软件](#)

#### 8.1.2 器件和开发支持工具命名规则

为了标明产品开发周期的阶段，TI 为所有 TMS320™MCU 器件和支持工具的部件号指定前缀。每个 TMS320 MCU 商用系列产品成员均具有以下三个前缀中的一个：TMX、TMP 或者 TMS（例如，TMS320F28069）。德州仪器 (TI) 建议为其支持的工具使用三个可用前缀指示符中的两个：TMDX 和 TMDS。这些前缀代表了产品从工程原型机（其中 TMX 针对器件，而 TMDX 针对工具）直到完全合格的生产器件/工具（其中 TMS 针对器件，而 TMDS 针对工具）的产品开发进化阶段。

器件开发进化流程：

- |            |                                     |
|------------|-------------------------------------|
| <b>TMX</b> | 试验器件不一定代表最终器件的电气规范标准。               |
| <b>TMP</b> | 最终的芯片模型符合器件的电气规范标准，但是未经完整的质量和可靠性验证。 |
| <b>TMS</b> | 完全合格的产品器件                           |

支持工具开发进化流程:

**TMDX** 还未经完整的德州仪器 (TI) 内部质量测试的开发支持工具

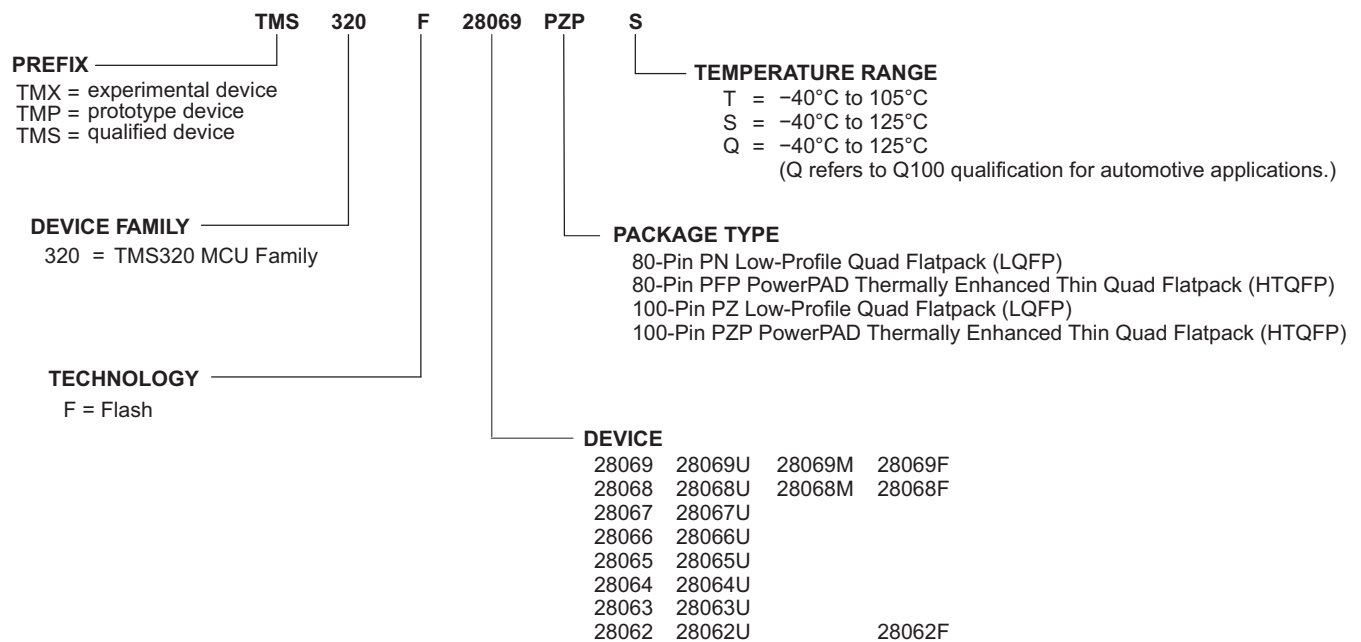
**TMDS** 完全合格的开发支持产品

TMX 和 TMP 器件和 TMDX 开发支持工具出货时带有如下的免责声明:  
 “开发产品用于内部评估的目的。”

TMS 器件和 TMDS 开发支持工具已进行完全特性描述, 并且器件的质量和可靠性已经完全论证。TI 的标准保修证书适用。

预测显示原型器件 (TMX 或者 TMP) 的故障率大于标准生产器件。由于它们的预计的最终使用故障率仍未定义, 德州仪器 (TI) 建议不要将这些器件用于任何生产系统。只有合格的生产器件将被使用。

TI 器件的命名规则也包括一个带有器件系列名称的后缀。这个后缀包括封装类型 (例如, PZP) 和温度范围 (如, S)。图 8-1 提供了读取任一系列产品成员完整器件名称的图例。



A. 关于特定器件的外设、温度和封装可用性的更多信息, 请参见Table 3-1。

图 8-1. 器件命名规则



## 8.2 文档支持

从产品声明到应用开发的大量文档提供了对所有 TMS320 MCU 系列器件的支持。提供的文档类型包括：数据表和数据手册（含设计规范）；以及硬件和软件应用。

有关外设类型的更多信息，请见《TMS320x28xx, 28xxx DSP 外设参考指南》（文献编号 [SPRU566](#)）。有关每个外设的更多信息，请参见《TMS320x2806x Piccolo 技术参考手册》（文献编号：[SPRUH18](#)）。

下列文档可从 TI 网站 ([www.ti.com.cn](http://www.ti.com.cn)) 中下载：

### 数据手册和勘误表

**SPRS698** 《TMS320F2806x Piccolo™ 微控制器数据手册》包含 2806x 器件的引脚分配、信号描述以及电子和时序规范。

**SPRZ342** 《TMS320F28069、TMS320F28068、TMS320F28067、TMS320F28066、TMS320F28065、TMS320F28064、TMS320F28063、TMS320F28062 Piccolo MCU 芯片勘误表》对与芯片有关的已知报告进行了说明并提供了权变措施。

### 《InstaSPIN 技术参考手册》

**SPRUHJ1** 《InstaSPIN-FOC™ 和 InstaSPIN-MOTION™ 用户指南》介绍了 InstaSPIN-FOC 和 InstaSPIN-MOTION 器件。

**SPRUHI9** 《TMS320F28069F、TMS320F28068F、TMS320F28062F InstaSPIN-FOC™ 软件技术参考手册》介绍了 TMS320F28069F、TMS320F28068F 和 TMS320F28062F InstaSPIN-FOC™ 软件。

**SPRUHJ0** 《TMS320F28069M、TMS320F28068M InstaSPIN-FOC™ 软件技术参考手册》介绍了 TMS320F28069M 和 TMS320F28068M InstaSPIN-MOTION™ 软件。

### CPU 用户指南

**SPRU430** TMS320C28x CPU 和指令集参考指南描述了 TMS320C28x 定点数字信号处理器 (DSP) 的中央处理器 (CPU) 和汇编语言指令。此参考指南还介绍了上述 DSP 所提供的仿真特性。

### 外设指南和技术参考手册

**SPRU566** TMS320x28xx, 28xxx DSP 外设参考指南描述了 28x 数字信号处理器 (DSP) 的外设参考设计。

**SPRUH18** 《TMS320x2806x Piccolo 技术参考手册》详述了每一个外设和器件中的子系统的集成、环境、功能说明以及程序设计模型。

### 工具指南

**SPRU513** 《TMS320C28x 汇编语言工具 v15.12.0.LTS 用户指南》描述了用于 TMS320C28x 器件的汇编语言工具（用于开发汇编语言代码的汇编程序和其他工具）、汇编器指令、宏、通用目标文件格式和符号调试指令。

**SPRU514** 《TMS320C28x 优化 C/C++ 编译器 v15.12.0.LTS 用户指南》介绍了 TMS320C28x C/C++ 编译器。此编译器接受 ANSI 标准 C/C++ 源代码，并为 TMS320C28x 器件生成 TMS320 DSP 汇编语言源代码。

**SPRU608** TMS320C28x 指令集模拟器技术概览描述了用于 TMS320C2000 IDE 的 Code Composer Studio 内提供的模拟器，此模拟器能够模拟 C28x 内核。

### 应用报告

**SZZA021** 《半导体封装方法》介绍了准备向最终用户发货时半导体器件所用的封装方法。

**SPRABX4** 《计算嵌入式处理器的有效使用寿命》介绍了如何计算 TI 嵌入式处理器 (EP) 在电子系统中运行时的有效使用寿命。本文档的目标读者为希望确定 TI EP 的可靠性是否符合终端系统可靠性要求的总工程师。

### 8.2.1 接收文档更新通知

要接收文档更新通知（包括芯片勘误表），请转至 [ti.com.cn](http://ti.com.cn) 上您的器件对应的产品文件夹。单击右上角的“提醒我”(Alert me) 按钮。点击后，您将每周定期收到已更改的产品信息（如果有的话）。有关更改的详细信息，请查阅已修订文档的修订历史记录。

### 8.3 相关链接

以下表格列出了快速访问链接。范围包括技术文档、支持与社区资源、工具和软件，并且可以快速访问样片或购买链接。

表 8-1. 相关链接

| 器件           | 产品文件夹                 | 样片与购买                 | 技术文档                  | 工具与软件                 | 支持与社区                 |
|--------------|-----------------------|-----------------------|-----------------------|-----------------------|-----------------------|
| TMS320F28069 | <a href="#">请单击此处</a> | <a href="#">请单击此处</a> | <a href="#">请单击此处</a> | <a href="#">请单击此处</a> | <a href="#">请单击此处</a> |
| TMS320F28068 | <a href="#">请单击此处</a> | <a href="#">请单击此处</a> | <a href="#">请单击此处</a> | <a href="#">请单击此处</a> | <a href="#">请单击此处</a> |
| TMS320F28067 | <a href="#">请单击此处</a> | <a href="#">请单击此处</a> | <a href="#">请单击此处</a> | <a href="#">请单击此处</a> | <a href="#">请单击此处</a> |
| TMS320F28066 | <a href="#">请单击此处</a> | <a href="#">请单击此处</a> | <a href="#">请单击此处</a> | <a href="#">请单击此处</a> | <a href="#">请单击此处</a> |
| TMS320F28065 | <a href="#">请单击此处</a> | <a href="#">请单击此处</a> | <a href="#">请单击此处</a> | <a href="#">请单击此处</a> | <a href="#">请单击此处</a> |
| TMS320F28064 | <a href="#">请单击此处</a> | <a href="#">请单击此处</a> | <a href="#">请单击此处</a> | <a href="#">请单击此处</a> | <a href="#">请单击此处</a> |
| TMS320F28063 | <a href="#">请单击此处</a> | <a href="#">请单击此处</a> | <a href="#">请单击此处</a> | <a href="#">请单击此处</a> | <a href="#">请单击此处</a> |
| TMS320F28062 | <a href="#">请单击此处</a> | <a href="#">请单击此处</a> | <a href="#">请单击此处</a> | <a href="#">请单击此处</a> | <a href="#">请单击此处</a> |

### 8.4 社区资源

下列链接提供到 TI 社区资源的连接。链接的内容由各个分销商“按照原样”提供。这些内容并不构成 TI 技术规范 and 标准且不一定反映 TI 的观点；请见 TI 的 [使用条款](#)。

**TI E2E™ 在线社区** **TI 工程师对工程师 (E2E) 社区**。此社区的创建目的是为了促进工程师之间协作。在 [e2e.ti.com](http://e2e.ti.com) 中，您可以咨询问题、共享知识、探索思路，在同领域工程师的帮助下解决问题。

**德州仪器 (TI) 嵌入式处理器维基网站** **德州仪器 (TI) 嵌入式处理器维基网站**。此网站的建立是为了帮助开发人员从德州仪器 (TI) 的嵌入式处理器入门并且也为了促进与这些器件相关的硬件和软件的总体知识的创新和增长。

### 8.5 商标

PowerPAD, Piccolo, TMS320C2000, C2000, controlSUITE, BoosterPack, LaunchPad, Sitara, Code Composer Studio, XDS510, XDS560, TMS320, InstaSPIN-FOC, InstaSPIN-MOTION, E2E are trademarks of Texas Instruments.

I<sup>2</sup>C-bus is a registered trademark of NXP B.V. Corporation.

All other trademarks are the property of their respective owners.

### 8.6 静电放电警告



ESD 可能会损坏该集成电路。德州仪器 (TI) 建议通过适当的预防措施处理所有集成电路。如果不遵守正确的处理措施和安装程序，可能会损坏集成电路。

ESD 的损坏小至导致微小的性能降级，大至整个器件故障。精密的集成电路可能更容易受到损坏，这是因为非常细微的参数更改都可能会导致器件与其发布的规格不相符。

### 8.7 Glossary

**TI Glossary** This glossary lists and explains terms, acronyms, and definitions.

## 9 机械、封装和可订购信息

### 9.1 封装信息

以下页中包括机械、封装和可订购信息。这些信息是针对指定器件可提供的最新数据。这些数据会在无通知且不对本文档进行修订的情况下发生改变。欲获得该数据表的浏览器版本，请查阅左侧的导航栏。

**PACKAGING INFORMATION**

| Orderable Device  | Status<br>(1) | Package Type | Package<br>Drawing | Pins | Package<br>Qty | Eco Plan<br>(2)            | Lead/Ball Finish<br>(6) | MSL Peak Temp<br>(3) | Op Temp (°C) | Device Marking<br>(4/5) | Samples                 |
|-------------------|---------------|--------------|--------------------|------|----------------|----------------------------|-------------------------|----------------------|--------------|-------------------------|-------------------------|
| TMS320F28062FFFPQ | ACTIVE        | HTQFP        | FFP                | 80   | 96             | Green (RoHS<br>& no Sb/Br) | CU NIPDAU               | Level-3-260C-168 HR  | -40 to 125   | F28062FFFPQ<br>TMS320   | <a href="#">Samples</a> |
| TMS320F28062FPNT  | ACTIVE        | LQFP         | PN                 | 80   | 119            | Green (RoHS<br>& no Sb/Br) | CU NIPDAU               | Level-3-260C-168 HR  | -40 to 105   | F28062FPNT<br>TMS320    | <a href="#">Samples</a> |
| TMS320F28062FPZT  | ACTIVE        | LQFP         | PZ                 | 100  | 90             | Green (RoHS<br>& no Sb/Br) | CU NIPDAU               | Level-3-260C-168 HR  | -40 to 105   | F28062FPZT<br>TMS320    | <a href="#">Samples</a> |
| TMS320F28062PFPQ  | ACTIVE        | HTQFP        | FFP                | 80   | 96             | Green (RoHS<br>& no Sb/Br) | CU NIPDAU               | Level-3-260C-168 HR  | -40 to 125   | F28062PFPQ<br>TMS320    | <a href="#">Samples</a> |
| TMS320F28062PFPS  | ACTIVE        | HTQFP        | FFP                | 80   | 96             | Green (RoHS<br>& no Sb/Br) | CU NIPDAU               | Level-3-260C-168 HR  | -40 to 125   | F28062PFPS<br>TMS320    | <a href="#">Samples</a> |
| TMS320F28062PNT   | ACTIVE        | LQFP         | PN                 | 80   | 119            | Green (RoHS<br>& no Sb/Br) | CU NIPDAU               | Level-3-260C-168 HR  | -40 to 105   | 320F28062PNT<br>TMS     | <a href="#">Samples</a> |
| TMS320F28062PZPQ  | ACTIVE        | HTQFP        | PZP                | 100  | 90             | Green (RoHS<br>& no Sb/Br) | CU NIPDAU               | Level-3-260C-168 HR  | -40 to 125   | F28062PZPQ<br>TMS320    | <a href="#">Samples</a> |
| TMS320F28062PZPS  | ACTIVE        | HTQFP        | PZP                | 100  | 90             | Green (RoHS<br>& no Sb/Br) | CU NIPDAU               | Level-3-260C-168 HR  | -40 to 125   | F28062PZPS<br>TMS320    | <a href="#">Samples</a> |
| TMS320F28062PZT   | ACTIVE        | LQFP         | PZ                 | 100  | 90             | Green (RoHS<br>& no Sb/Br) | CU NIPDAU               | Level-3-260C-168 HR  | -40 to 105   | 320F28062PZT<br>TMS     | <a href="#">Samples</a> |
| TMS320F28062UPNT  | ACTIVE        | LQFP         | PN                 | 80   | 119            | Green (RoHS<br>& no Sb/Br) | CU NIPDAU               | Level-3-260C-168 HR  | -40 to 105   | 320F28062UPNT<br>TMS    | <a href="#">Samples</a> |
| TMS320F28062UPZT  | ACTIVE        | LQFP         | PZ                 | 100  | 90             | Green (RoHS<br>& no Sb/Br) | CU NIPDAU               | Level-3-260C-168 HR  | -40 to 105   | F28062UPZT<br>TMS320    | <a href="#">Samples</a> |
| TMS320F28063PFPQ  | PREVIEW       | HTQFP        | FFP                | 80   | 96             | TBD                        | Call TI                 | Call TI              | -40 to 125   |                         |                         |
| TMS320F28063PNT   | ACTIVE        | LQFP         | PN                 | 80   | 119            | Green (RoHS<br>& no Sb/Br) | CU NIPDAU               | Level-3-260C-168 HR  | -40 to 105   | 320F28063PNT<br>TMS     | <a href="#">Samples</a> |
| TMS320F28063PZT   | ACTIVE        | LQFP         | PZ                 | 100  | 90             | Green (RoHS<br>& no Sb/Br) | CU NIPDAU               | Level-3-260C-168 HR  | -40 to 105   | 320F28063PZT<br>TMS     | <a href="#">Samples</a> |
| TMS320F28064PFPQ  | PREVIEW       | HTQFP        | FFP                | 80   | 96             | TBD                        | Call TI                 | Call TI              | -40 to 125   |                         |                         |
| TMS320F28064PZPQ  | PREVIEW       | HTQFP        | PZP                | 100  | 90             | TBD                        | Call TI                 | Call TI              | -40 to 125   |                         |                         |
| TMS320F28064PZT   | ACTIVE        | LQFP         | PZ                 | 100  | 90             | Green (RoHS<br>& no Sb/Br) | CU NIPDAU               | Level-3-260C-168 HR  | -40 to 105   | 320F28064PZT<br>TMS     | <a href="#">Samples</a> |
| TMS320F28065PFPQ  | PREVIEW       | HTQFP        | FFP                | 80   | 96             | TBD                        | Call TI                 | Call TI              | -40 to 125   |                         |                         |
| TMS320F28065PFPS  | ACTIVE        | HTQFP        | FFP                | 80   | 96             | Green (RoHS<br>& no Sb/Br) | CU NIPDAU               | Level-3-260C-168 HR  | -40 to 125   | F28065PFPS<br>TMS320    | <a href="#">Samples</a> |

| Orderable Device  | Status<br>(1) | Package Type | Package Drawing | Pins | Package Qty | Eco Plan<br>(2)         | Lead/Ball Finish<br>(6) | MSL Peak Temp<br>(3) | Op Temp (°C) | Device Marking<br>(4/5) | Samples                 |
|-------------------|---------------|--------------|-----------------|------|-------------|-------------------------|-------------------------|----------------------|--------------|-------------------------|-------------------------|
| TMS320F28065PNT   | ACTIVE        | LQFP         | PN              | 80   | 119         | Green (RoHS & no Sb/Br) | CU NIPDAU               | Level-3-260C-168 HR  | -40 to 105   | F28065PNT<br>TMS320     | <a href="#">Samples</a> |
| TMS320F28065PZPQ  | ACTIVE        | HTQFP        | PZP             | 100  | 90          | Green (RoHS & no Sb/Br) | CU NIPDAU               | Level-3-260C-168 HR  | -40 to 125   | F28065PZPQ<br>TMS320    | <a href="#">Samples</a> |
| TMS320F28065PZPS  | ACTIVE        | HTQFP        | PZP             | 100  | 90          | Green (RoHS & no Sb/Br) | CU NIPDAU               | Level-3-260C-168 HR  | -40 to 125   | F28065PZPS<br>TMS320    | <a href="#">Samples</a> |
| TMS320F28065PZT   | ACTIVE        | LQFP         | PZ              | 100  | 90          | Green (RoHS & no Sb/Br) | CU NIPDAU               | Level-3-260C-168 HR  | -40 to 105   | 320F28065PZT<br>TMS     | <a href="#">Samples</a> |
| TMS320F28065UPFPS | ACTIVE        | HTQFP        | PPF             | 80   | 96          | Green (RoHS & no Sb/Br) | CU NIPDAU               | Level-3-260C-168 HR  | -40 to 125   | F28065UPFPS<br>TMS320   | <a href="#">Samples</a> |
| TMS320F28065UPNT  | ACTIVE        | LQFP         | PN              | 80   | 119         | Green (RoHS & no Sb/Br) | CU NIPDAU               | Level-3-260C-168 HR  | -40 to 105   | F28065UPNT<br>TMS320    | <a href="#">Samples</a> |
| TMS320F28065UPZPS | ACTIVE        | HTQFP        | PZP             | 100  | 90          | Green (RoHS & no Sb/Br) | CU NIPDAU               | Level-3-260C-168 HR  | -40 to 125   | F28065UPZPS<br>TMS320   | <a href="#">Samples</a> |
| TMS320F28065UPZT  | ACTIVE        | LQFP         | PZ              | 100  | 90          | Green (RoHS & no Sb/Br) | CU NIPDAU               | Level-3-260C-168 HR  | -40 to 105   | F28065UPZT<br>TMS320    | <a href="#">Samples</a> |
| TMS320F28066PFPQ  | ACTIVE        | HTQFP        | PPF             | 80   | 96          | Green (RoHS & no Sb/Br) | CU NIPDAU               | Level-3-260C-168 HR  | -40 to 125   | F28066PFPQ<br>TMS320    | <a href="#">Samples</a> |
| TMS320F28066PFPS  | ACTIVE        | HTQFP        | PPF             | 80   | 96          | Green (RoHS & no Sb/Br) | CU NIPDAU               | Level-3-260C-168 HR  | -40 to 125   | F28066PFPS<br>TMS320    | <a href="#">Samples</a> |
| TMS320F28066PNT   | ACTIVE        | LQFP         | PN              | 80   | 119         | Green (RoHS & no Sb/Br) | CU NIPDAU               | Level-3-260C-168 HR  | -40 to 105   | 320F28066PNT<br>TMS     | <a href="#">Samples</a> |
| TMS320F28066PZPQ  | ACTIVE        | HTQFP        | PZP             | 100  | 90          | Green (RoHS & no Sb/Br) | CU NIPDAU               | Level-3-260C-168 HR  | -40 to 125   | F28066PZPQ<br>TMS320    | <a href="#">Samples</a> |
| TMS320F28066PZPS  | ACTIVE        | HTQFP        | PZP             | 100  | 90          | Green (RoHS & no Sb/Br) | CU NIPDAU               | Level-3-260C-168 HR  | -40 to 125   | F28066PZPS<br>TMS320    | <a href="#">Samples</a> |
| TMS320F28066PZT   | ACTIVE        | LQFP         | PZ              | 100  | 90          | Green (RoHS & no Sb/Br) | CU NIPDAU               | Level-3-260C-168 HR  | -40 to 105   | 320F28066PZT<br>TMS     | <a href="#">Samples</a> |
| TMS320F28066UPZT  | ACTIVE        | LQFP         | PZ              | 100  | 90          | Green (RoHS & no Sb/Br) | CU NIPDAU               | Level-3-260C-168 HR  | -40 to 105   | F28066UPZT<br>TMS320    | <a href="#">Samples</a> |
| TMS320F28067PFPQ  | ACTIVE        | HTQFP        | PPF             | 80   | 96          | Green (RoHS & no Sb/Br) | CU NIPDAU               | Level-3-260C-168 HR  | -40 to 125   | F28067PFPQ<br>TMS320    | <a href="#">Samples</a> |
| TMS320F28067PFPS  | ACTIVE        | HTQFP        | PPF             | 80   | 96          | Green (RoHS & no Sb/Br) | CU NIPDAU               | Level-3-260C-168 HR  | -40 to 125   | F28067PFPS<br>TMS320    | <a href="#">Samples</a> |
| TMS320F28067PNT   | ACTIVE        | LQFP         | PN              | 80   | 119         | Green (RoHS & no Sb/Br) | CU NIPDAU               | Level-3-260C-168 HR  | -40 to 105   | 320F28067PNT<br>TMS     | <a href="#">Samples</a> |

| Orderable Device  | Status<br>(1) | Package Type | Package<br>Drawing | Pins | Package<br>Qty | Eco Plan<br>(2)            | Lead/Ball Finish<br>(6) | MSL Peak Temp<br>(3) | Op Temp (°C) | Device Marking<br>(4/5) | Samples                 |
|-------------------|---------------|--------------|--------------------|------|----------------|----------------------------|-------------------------|----------------------|--------------|-------------------------|-------------------------|
| TMS320F28067PZPQ  | ACTIVE        | HTQFP        | PZP                | 100  | 90             | Green (RoHS<br>& no Sb/Br) | CU NIPDAU               | Level-3-260C-168 HR  | -40 to 125   | F28067PZPQ<br>TMS320    | <a href="#">Samples</a> |
| TMS320F28067PZPS  | ACTIVE        | HTQFP        | PZP                | 100  | 90             | Green (RoHS<br>& no Sb/Br) | CU NIPDAU               | Level-3-260C-168 HR  | -40 to 125   | F28067PZPS<br>TMS320    | <a href="#">Samples</a> |
| TMS320F28067PZT   | ACTIVE        | LQFP         | PZ                 | 100  | 90             | Green (RoHS<br>& no Sb/Br) | CU NIPDAU               | Level-3-260C-168 HR  | -40 to 105   | 320F28067PZT<br>TMS     | <a href="#">Samples</a> |
| TMS320F28068FPFPQ | ACTIVE        | HTQFP        | PFQ                | 80   | 1000           | Green (RoHS<br>& no Sb/Br) | CU NIPDAU               | Level-3-260C-168 HR  | -40 to 125   | F28068FPFPQ<br>TMS320   | <a href="#">Samples</a> |
| TMS320F28068FPNT  | ACTIVE        | LQFP         | PN                 | 80   | 119            | Green (RoHS<br>& no Sb/Br) | CU NIPDAU               | Level-3-260C-168 HR  | -40 to 105   | F28068FPNT<br>TMS320    | <a href="#">Samples</a> |
| TMS320F28068FPZT  | ACTIVE        | LQFP         | PZ                 | 100  | 90             | Green (RoHS<br>& no Sb/Br) | CU NIPDAU               | Level-3-260C-168 HR  | -40 to 105   | F28068FPZT<br>TMS320    | <a href="#">Samples</a> |
| TMS320F28068MPFPQ | ACTIVE        | HTQFP        | PFQ                | 80   | 1000           | Green (RoHS<br>& no Sb/Br) | CU NIPDAU               | Level-3-260C-168 HR  | -40 to 125   | F28068MPFPQ<br>TMS320   | <a href="#">Samples</a> |
| TMS320F28068MPNT  | ACTIVE        | LQFP         | PN                 | 80   | 119            | Green (RoHS<br>& no Sb/Br) | CU NIPDAU               | Level-3-260C-168 HR  | -40 to 105   | F28068MPNT<br>TMS320    | <a href="#">Samples</a> |
| TMS320F28068MPZT  | ACTIVE        | LQFP         | PZ                 | 100  | 90             | Green (RoHS<br>& no Sb/Br) | CU NIPDAU               | Level-3-260C-168 HR  | -40 to 105   | F28068MPZT<br>TMS320    | <a href="#">Samples</a> |
| TMS320F28068PFQ   | PREVIEW       | HTQFP        | PFQ                | 80   | 96             | TBD                        | Call TI                 | Call TI              | -40 to 125   |                         |                         |
| TMS320F28068PNT   | ACTIVE        | LQFP         | PN                 | 80   | 119            | Green (RoHS<br>& no Sb/Br) | CU NIPDAU               | Level-3-260C-168 HR  | -40 to 105   | 320F28068PNT<br>TMS     | <a href="#">Samples</a> |
| TMS320F28068PZPQ  | PREVIEW       | HTQFP        | PZP                | 100  | 90             | TBD                        | Call TI                 | Call TI              | -40 to 125   |                         |                         |
| TMS320F28068PZPS  | ACTIVE        | HTQFP        | PZP                | 100  | 90             | Green (RoHS<br>& no Sb/Br) | CU NIPDAU               | Level-3-260C-168 HR  | -40 to 125   | F28068PZPS<br>TMS320    | <a href="#">Samples</a> |
| TMS320F28069FPFPQ | ACTIVE        | HTQFP        | PFQ                | 80   | 96             | Green (RoHS<br>& no Sb/Br) | CU NIPDAU               | Level-3-260C-168 HR  | -40 to 125   | F28069FPFPQ<br>TMS320   | <a href="#">Samples</a> |
| TMS320F28069FPNT  | ACTIVE        | LQFP         | PN                 | 80   | 119            | Green (RoHS<br>& no Sb/Br) | CU NIPDAU               | Level-3-260C-168 HR  | -40 to 105   | F28069FPNT<br>TMS320    | <a href="#">Samples</a> |
| TMS320F28069FPZPQ | ACTIVE        | HTQFP        | PZP                | 100  | 90             | Green (RoHS<br>& no Sb/Br) | CU NIPDAU               | Level-3-260C-168 HR  | -40 to 125   | F28069FPZPQ<br>TMS320   | <a href="#">Samples</a> |
| TMS320F28069FPZT  | ACTIVE        | LQFP         | PZ                 | 100  | 90             | Green (RoHS<br>& no Sb/Br) | CU NIPDAU               | Level-3-260C-168 HR  | -40 to 105   | F28069FPZT<br>TMS320    | <a href="#">Samples</a> |
| TMS320F28069MPFPQ | ACTIVE        | HTQFP        | PFQ                | 80   | 96             | Green (RoHS<br>& no Sb/Br) | CU NIPDAU               | Level-3-260C-168 HR  | -40 to 125   | F28069MPFPQ<br>TMS320   | <a href="#">Samples</a> |
| TMS320F28069MPNT  | ACTIVE        | LQFP         | PN                 | 80   | 119            | Green (RoHS<br>& no Sb/Br) | CU NIPDAU               | Level-3-260C-168 HR  | -40 to 105   | F28069MPNT<br>TMS320    | <a href="#">Samples</a> |

| Orderable Device  | Status<br>(1) | Package Type | Package Drawing | Pins | Package Qty | Eco Plan<br>(2)         | Lead/Ball Finish<br>(6) | MSL Peak Temp<br>(3) | Op Temp (°C) | Device Marking<br>(4/5) | Samples                 |
|-------------------|---------------|--------------|-----------------|------|-------------|-------------------------|-------------------------|----------------------|--------------|-------------------------|-------------------------|
| TMS320F28069MPZPQ | ACTIVE        | HTQFP        | PZP             | 100  | 90          | Green (RoHS & no Sb/Br) | CU NIPDAU               | Level-3-260C-168 HR  | -40 to 125   | F28069MPZPQ<br>TMS320   | <a href="#">Samples</a> |
| TMS320F28069MPZT  | ACTIVE        | LQFP         | PZ              | 100  | 90          | Green (RoHS & no Sb/Br) | CU NIPDAU               | Level-3-260C-168 HR  | -40 to 105   | F28069MPZT<br>TMS320    | <a href="#">Samples</a> |
| TMS320F28069PFPQ  | ACTIVE        | HTQFP        | PFP             | 80   | 96          | Green (RoHS & no Sb/Br) | CU NIPDAU               | Level-3-260C-168 HR  | -40 to 125   | F28069PFPQ<br>TMS320    | <a href="#">Samples</a> |
| TMS320F28069PFPS  | ACTIVE        | HTQFP        | PFP             | 80   | 96          | Green (RoHS & no Sb/Br) | CU NIPDAU               | Level-3-260C-168 HR  | -40 to 125   | F28069PFPS<br>TMS320    | <a href="#">Samples</a> |
| TMS320F28069PNT   | ACTIVE        | LQFP         | PN              | 80   | 119         | Green (RoHS & no Sb/Br) | CU NIPDAU               | Level-3-260C-168 HR  | -40 to 105   | 320F28069PNT<br>TMS     | <a href="#">Samples</a> |
| TMS320F28069PZA   | ACTIVE        | LQFP         | PZ              | 100  | 90          | Green (RoHS & no Sb/Br) | CU NIPDAU               | Level-3-260C-168 HR  | -40 to 85    | 320F28069PZA<br>TMS     | <a href="#">Samples</a> |
| TMS320F28069PZPQ  | ACTIVE        | HTQFP        | PZP             | 100  | 90          | Green (RoHS & no Sb/Br) | CU NIPDAU               | Level-3-260C-168 HR  | -40 to 125   | F28069PZPQ<br>TMS320    | <a href="#">Samples</a> |
| TMS320F28069PZPS  | ACTIVE        | HTQFP        | PZP             | 100  | 90          | Green (RoHS & no Sb/Br) | CU NIPDAU               | Level-3-260C-168 HR  | -40 to 125   | F28069PZPS<br>TMS320    | <a href="#">Samples</a> |
| TMS320F28069PZT   | ACTIVE        | LQFP         | PZ              | 100  | 90          | Green (RoHS & no Sb/Br) | CU NIPDAU               | Level-3-260C-168 HR  | -40 to 105   | 320F28069PZT<br>TMS     | <a href="#">Samples</a> |
| TMS320F28069UPFPS | ACTIVE        | HTQFP        | PFP             | 80   | 96          | Green (RoHS & no Sb/Br) | CU NIPDAU               | Level-3-260C-168 HR  | -40 to 125   | F28069UPFPS<br>TMS320   | <a href="#">Samples</a> |
| TMS320F28069UPNT  | ACTIVE        | LQFP         | PN              | 80   | 119         | Green (RoHS & no Sb/Br) | CU NIPDAU               | Level-3-260C-168 HR  | -40 to 105   | F28069UPNT<br>TMS320    | <a href="#">Samples</a> |
| TMS320F28069UPZPS | ACTIVE        | HTQFP        | PZP             | 100  | 90          | Green (RoHS & no Sb/Br) | CU NIPDAU               | Level-3-260C-168 HR  | -40 to 125   | F28069UPZPS<br>TMS320   | <a href="#">Samples</a> |
| TMS320F28069UPZT  | ACTIVE        | LQFP         | PZ              | 100  | 90          | Green (RoHS & no Sb/Br) | CU NIPDAU               | Level-3-260C-168 HR  | -40 to 105   | F28069UPZT<br>TMS320    | <a href="#">Samples</a> |

(1) The marketing status values are defined as follows:

**ACTIVE:** Product device recommended for new designs.

**LIFEBUY:** TI has announced that the device will be discontinued, and a lifetime-buy period is in effect.

**NRND:** Not recommended for new designs. Device is in production to support existing customers, but TI does not recommend using this part in a new design.

**PREVIEW:** Device has been announced but is not in production. Samples may or may not be available.

**OBSOLETE:** TI has discontinued the production of the device.

(2) **RoHS:** TI defines "RoHS" to mean semiconductor products that are compliant with the current EU RoHS requirements for all 10 RoHS substances, including the requirement that RoHS substance do not exceed 0.1% by weight in homogeneous materials. Where designed to be soldered at high temperatures, "RoHS" products are suitable for use in specified lead-free processes. TI may reference these types of products as "Pb-Free".

---

**RoHS Exempt:** TI defines "RoHS Exempt" to mean products that contain lead but are compliant with EU RoHS pursuant to a specific EU RoHS exemption.

**Green:** TI defines "Green" to mean the content of Chlorine (Cl) and Bromine (Br) based flame retardants meet JS709B low halogen requirements of  $\leq 1000$ ppm threshold. Antimony trioxide based flame retardants must also meet the  $\leq 1000$ ppm threshold requirement.

(3) MSL, Peak Temp. - The Moisture Sensitivity Level rating according to the JEDEC industry standard classifications, and peak solder temperature.

(4) There may be additional marking, which relates to the logo, the lot trace code information, or the environmental category on the device.

(5) Multiple Device Markings will be inside parentheses. Only one Device Marking contained in parentheses and separated by a "~" will appear on a device. If a line is indented then it is a continuation of the previous line and the two combined represent the entire Device Marking for that device.

(6) Lead/Ball Finish - Orderable Devices may have multiple material finish options. Finish options are separated by a vertical ruled line. Lead/Ball Finish values may wrap to two lines if the finish value exceeds the maximum column width.

**Important Information and Disclaimer:** The information provided on this page represents TI's knowledge and belief as of the date that it is provided. TI bases its knowledge and belief on information provided by third parties, and makes no representation or warranty as to the accuracy of such information. Efforts are underway to better integrate information from third parties. TI has taken and continues to take reasonable steps to provide representative and accurate information but may not have conducted destructive testing or chemical analysis on incoming materials and chemicals. TI and TI suppliers consider certain information to be proprietary, and thus CAS numbers and other limited information may not be available for release.

In no event shall TI's liability arising out of such information exceed the total purchase price of the TI part(s) at issue in this document sold by TI to Customer on an annual basis.



## 重要声明

德州仪器 (TI) 公司有权按照最新发布的 JESD46 对其半导体产品和服务进行纠正、增强、改进和其他修改，并不再按最新发布的 JESD48 提供任何产品和服务。买方在下订单前应获取最新的相关信息，并验证这些信息是否完整且是最新的。

TI 公布的半导体产品销售条款 (<http://www.ti.com/sc/docs/stdterms.htm>) 适用于 TI 已认证和批准上市的已封装集成电路产品的销售。另有其他条款可能适用于其他类型 TI 产品及服务的使用或销售。

复制 TI 数据表上 TI 信息的重要部分时，不得变更该等信息，且必须随附所有相关保证、条件、限制和通知，否则不得复制。TI 对该等复制文件不承担任何责任。第三方信息可能受到其它限制条件的制约。在转售 TI 产品或服务时，如果存在对产品或服务参数的虚假陈述，则会失去相关 TI 产品或服务的明示或暗示保证，且构成不公平的、欺诈性商业行为。TI 对此类虚假陈述不承担任何责任。

买方和在系统中整合 TI 产品的其他开发人员（总称“设计人员”）理解并同意，设计人员在设计应用时应自行实施独立的分析、评价和判断，且应全权负责并确保应用的安全性，及设计人员的应用（包括应用中使用的 TI 产品）应符合所有适用的法律法规及其他相关要求。设计人员就自己设计的应用声明，其具备制订和实施下列保障措施所需的一切必要专业知识，能够 (1) 预见故障的危险后果，(2) 监视故障及其后果，以及 (3) 降低可能导致危险的故障几率并采取适当措施。设计人员同意，在使用或分发包含 TI 产品的任何应用前，将彻底测试该等应用和该等应用中所用 TI 产品的功能。

TI 提供技术、应用或其他设计建议、质量特点、可靠性数据或其他服务或信息，包括但不限于与评估模块有关的参考设计和材料（总称“TI 资源”），旨在帮助设计人员开发整合了 TI 产品的应用，如果设计人员（个人，或如果是代表公司，则为设计人员的公司）以任何方式下载、访问或使用任何特定的 TI 资源，即表示其同意仅为该等目标，按照本通知的条款使用任何特定 TI 资源。

TI 所提供的 TI 资源，并未扩大或以其他方式修改 TI 对 TI 产品的公开适用的质保及质保免责声明；也未导致 TI 承担任何额外的义务或责任。TI 有权对其 TI 资源进行纠正、增强、改进和其他修改。除特定 TI 资源的公开文档中明确列出的测试外，TI 未进行任何其他测试。

设计人员只有在开发包含该等 TI 资源所列 TI 产品的应用时，才被授权使用、复制和修改任何相关 TI 资源。但并未依据禁止反言原则或其他法律授予您任何 TI 知识产权的任何其他明示或默示的许可，也未授予您 TI 或第三方的任何技术或知识产权的许可，该等许可包括但不限于任何专利权、版权、屏蔽作品权或与美国 TI 产品或服务的任何整合、机器制作、流程相关的其他知识产权。涉及或参考了第三方产品或服务的信息不构成使用此类产品或服务的许可或与其相关的保证或认可。使用 TI 资源可能需要您向第三方获得对该等第三方专利或其他知识产权的许可。

TI 资源系“按原样”提供。TI 兹免除对资源及其使用作出所有其他明确或默示的保证或陈述，包括但不限于对准确性或完整性、产权保证、无屡发故障保证，以及适销性、适合特定用途和不侵犯任何第三方知识产权的任何默认保证。TI 不负责任何申索，包括但不限于因组合产品所致或与之有关的申索，也不为或对设计人员进行辩护或赔偿，即使该等产品组合已列于 TI 资源或其他地方。对因 TI 资源或其使用引起或与之有关的任何实际的、直接的、特殊的、附带的、间接的、惩罚性的、偶发的、从属或惩戒性损害赔偿，不管 TI 是否获悉可能会产生上述损害赔偿，TI 概不负责。

除 TI 已明确指出特定产品已达到特定行业标准（例如 ISO/TS 16949 和 ISO 26262）的要求外，TI 不对未达到任何该等行业标准要求而承担任何责任。

如果 TI 明确宣称产品有助于功能安全或符合行业功能安全标准，则该等产品旨在帮助客户设计和创作自己的符合相关功能安全标准和要求的的应用。在应用内使用产品的行为本身不会配有安全特性。设计人员必须确保遵守适用于其应用的相关安全要求和标准。设计人员不可将任何 TI 产品用于关乎性命的医疗设备，除非已由各方获得授权的管理人员签署专门的合同对此类应用专门作出规定。关乎性命的医疗设备是指出现故障会导致严重身体伤害或死亡的医疗设备（例如生命保障设备、心脏起搏器、心脏除颤器、人工心脏泵、神经刺激器以及植入设备）。此类设备包括但不限于，美国食品药品监督管理局认定为 III 类设备的设备，以及在美国以外的其他国家或地区认定为同等类别设备的所有医疗设备。

TI 可能明确指定某些产品具备某些特定资格（例如 Q100、军用级或增强型产品）。设计人员同意，其具备一切必要专业知识，可以为自己的应用选择适合的产品，并且正确选择产品的风险由设计人员承担。设计人员单方面负责遵守与该等选择有关的所有法律或监管要求。

设计人员同意向 TI 及其代表全额赔偿因其不遵守本通知条款和条件而引起的任何损害、费用、损失和/或责任。

邮寄地址：上海市浦东新区世纪大道 1568 号中建大厦 32 楼，邮政编码：200122  
Copyright © 2017 德州仪器半导体技术（上海）有限公司