

RL-8800

FLYBACK TRANSFORMER FOR TEXAS INSTRUMENTS RD-171 (FORMALLY NATIONAL SEMICONDUCTOR) (LM5001)

DESCRIPTION

- Flyback Transformer

ENVIRONMENTAL DATA

- Storage temperature range: -55°C to +130°C
- Operating ambient temperature range: -40°C to +85°C

PACKAGING INFORMATION

- 750 pieces per 13" reel
- Plastic Tape: 24 mm wide, 0.5 mm thick
- 12 mm pocket spacing, 5.8 mm pocket depth

FEATURES

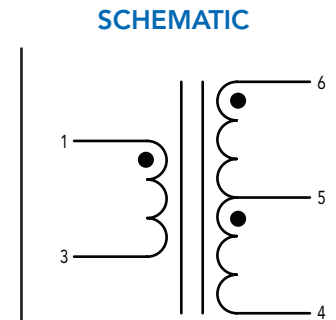
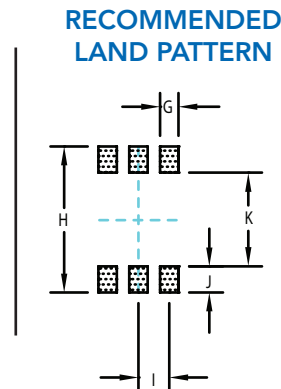
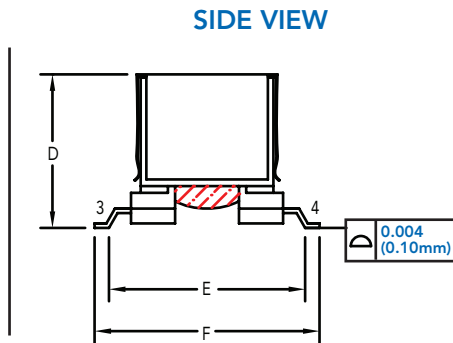
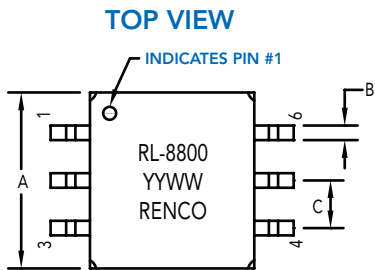
- Designed to operate up to 600 kHz
- Input voltage range: 8-36 V
- Output: +5 V/-5 V at 2.5 watts
- 500 VDC isolation
- UL Class B (130°C) Insulation
- Core material: ferrite, low loss
- Bobbin: phenolic PM9630
- Terminations: SnCu over phosphor bronze
- Moisture sensitivity level: 1
- Resistance to solder heat: 10 seconds at 260°C

Verify operation with sample in actual circuit. Order samples at www.rencousa.com.

MECHANICAL DIMENSIONS

U.S. Standard (mm)

PART NUMBER	A (MAX.)	B (MAX.)	C	D (MAX.)	E (REF.)	F (MAX.)
RL-8800	0.275 (6.98)	0.023 (0.60)	0.072 (1.85)	0.225 (5.71)	0.259 (6.60)	0.325 (8.25)
G	H	I	J	K	PART WEIGHT	
0.043 (1.09)	0.343 (8.71)	0.072 (1.85)	0.061 (1.56)	0.219 (5.56)	0.74g (0.026oz)	



ELECTRICAL SPECIFICATIONS

INDUCTANCE L (1-3) = 26.0µH ± 5%¹
 LEAKAGE INDUCTANCE Le (1-3) = 1.0µH MAX¹
 SHORT PINS: 4, 5, 6

DC RESISTANCE (OHMS) MAX
 DCR (1-3) = 0.21 Ω
 (6-5) = 0.19 Ω
 (5-4) = 0.19 Ω

HIPOT: APPLY 500 VDC FOR 2 SECS
 BETWEEN PINS 1 TO 4
 TURNS RATIO:
 PRI: SEC = 1:0.54:0.54

NOTES:

- INDUCTANCE AND LEAKAGE INDUCTANCE TESTED AT 600 kHz/0.1VAC
- ELECTRICAL SPECIFICATIONS MEASURED AT 25°C



RENCO ELECTRONICS INC.

595 International Place, Rockledge, FL 32955-4200 USA • www.rencousa.com • ISO 9001 Certified
 Toll Free Engineering Hot Line: 800.645.5828 • P: 321.637.1000 • F: 321.637.1600

