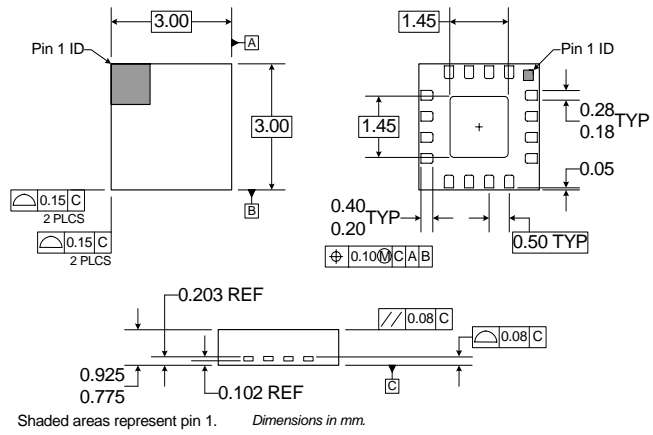


RoHS Compliant & Pb-Free Product

- Typical Applications
- 3V W-CDMA Band 1 Handsets
 - Multi-Mode W-CDMA 3G Handsets
 - 3V TD-SCDMA Handsets
 - Spread-Spectrum Systems

Product Description

The RF5198 is a high-power, high-efficiency linear amplifier module specifically designed for 3V handheld systems. The device is manufactured on an advanced third generation GaAs HBT process, and was designed for use as the final RF amplifier in 3V W-CDMA handheld digital cellular equipment, spread-spectrum systems, and other applications in the 1920MHz to 1980MHz band (Band 1). The RF5198 has a digital control pin for low power applications to lower quiescent current. This PA also includes a power detector circuit. The RF5198 is assembled in at 16-pin, 3mmx3mm, QFN package.

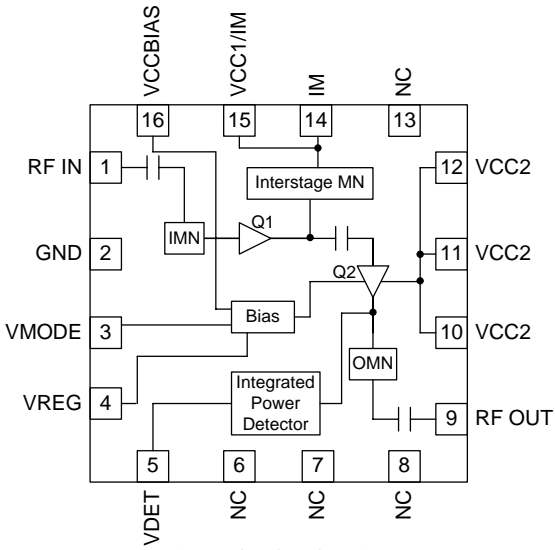


Optimum Technology Matching® Applied

- | | | |
|-------------------------------------|--|---------------------------------------|
| <input type="checkbox"/> Si BJT | <input checked="" type="checkbox"/> GaAs HBT | <input type="checkbox"/> GaAs MESFET |
| <input type="checkbox"/> Si Bi-CMOS | <input type="checkbox"/> SiGe HBT | <input type="checkbox"/> Si CMOS |
| <input type="checkbox"/> InGaP/HBT | <input type="checkbox"/> GaN HEMT | <input type="checkbox"/> SiGe Bi-CMOS |

Package Style: QFN, 16-Pin, 3x3

- Features
- Input/Output Internally Matched @ 50Ω
 - 27.5dBm Linear Output Power
 - 42% Peak Linear Efficiency
 - -41dBc ACLR @ ±5MHz
 - Integrated Power Detector
 - HSDPA Capable



Ordering Information

RF5198 3V 1950MHz W-CDMA Linear Power Amplifier Module

RF5198PCBA-41X Fully Assembled Evaluation Board

RF Micro Devices, Inc.
7628 Thorndike Road
Greensboro, NC 27409, USA

Tel (336) 664 1233
Fax (336) 664 0454
<http://www.rfmd.com>

RF5198

Absolute Maximum Ratings

Parameter	Rating	Unit
Supply Voltage (RF off)	+8.0	V
Supply Voltage ($P_{OUT} \leq 31$ dBm)	+5.2	V
Control Voltage (V_{REG})	+3.9	V
Input RF Power	+10	dBm
Mode Voltage (V_{MODE})	+3.9	V
Operating Temperature	-30 to +110	°C
Storage Temperature	-40 to +150	°C
Moisture Sensitivity Level (IPC/JEDEC J-STD-20)	MSL2@260	°C



Caution! ESD sensitive device.

RF Micro Devices believes the furnished information is correct and accurate at the time of this printing. RoHS marking based on EU Directive 2002/95/EC (at time of this printing). However, RF Micro Devices reserves the right to make changes to its products without notice. RF Micro Devices does not assume responsibility for the use of the described product(s).

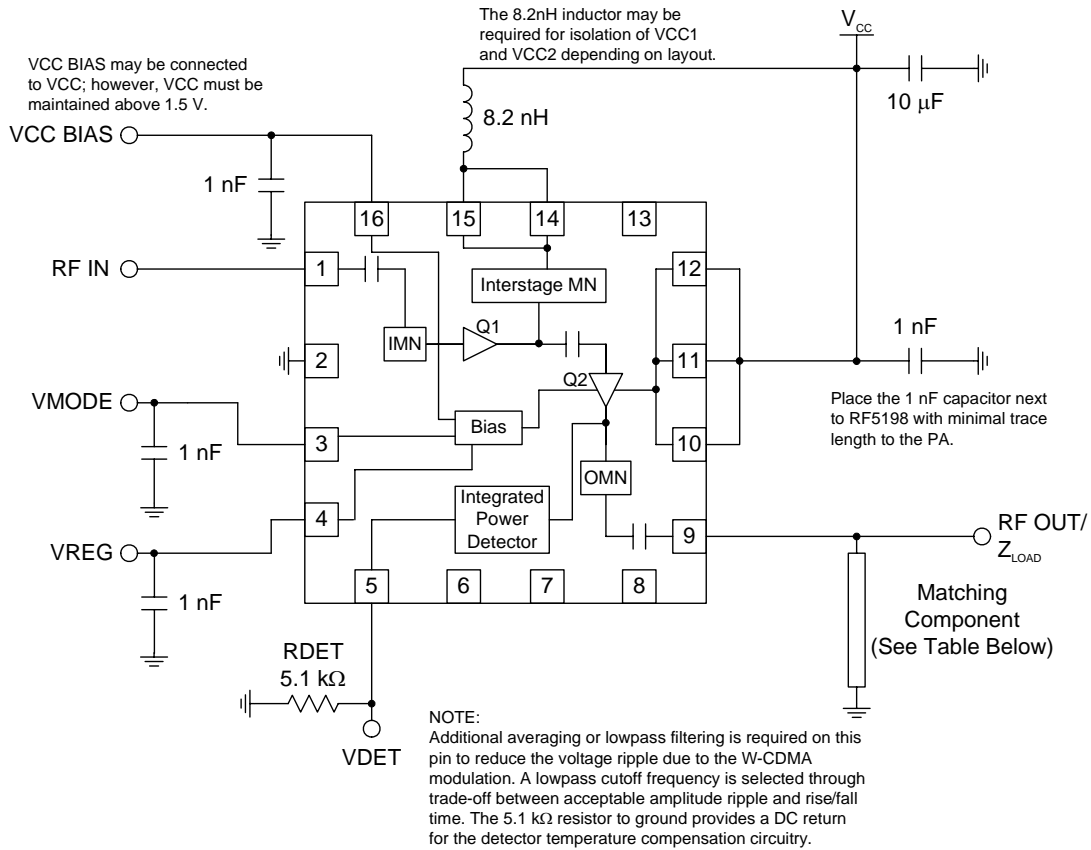
Parameter	Specification			Unit	Condition
	Min.	Typ.	Max.		
High Power Mode (V_{MODE} Low)					$T=25^{\circ}\text{C}$ Ambient, $V_{CC}=3.4\text{V}$, $V_{CCBIAS}=3.4\text{V}$, $V_{REG}=2.8\text{V}$, $V_{MODE}=0\text{V}$, and $P_{OUT}=27.5\text{dBm}$ for all parameters (unless otherwise specified). Modulation is 3GPP 3.2 03-00 DPCCH+1DPDCH.
Operating Frequency Range	1920		1980	MHz	
Linear Gain	26.0	28.5	32.0	dB	
Harmonics			-10	dBm	$f=2f_o, 3f_o$
Maximum Linear Output	27.5			dBm	
Linear Efficiency	38	42	47	%	
Maximum I_{CC}	352	394	435	mA	
ACLR1 @ $\pm 5\text{MHz}$		-41	-37	dBc	
ACLR2 @ $\pm 10\text{MHz}$		-52	-48	dBc	
Input VSWR		2:1			
Output VSWR Stability Ruggedness			6:1		No oscillation > -70 dBc
Noise Power		-154	10:1	dBm/Hz	No damage
		-133		dBm/Hz	$-50 \leq P_{OUT} \leq +27.5\text{dBm}$, RX=925MHz to 960MHz (EGSM)
		-140		dBm/Hz	$-50 \leq P_{OUT} \leq +27.5\text{dBm}$, RX=1805MHz to 1880MHz (DCS)
		-143		dBm/Hz	$-50 \leq P_{OUT} \leq +27.5\text{dBm}$, RX=2110MHz to 2170MHz (W-CDMA), TX/RX Offset=130MHz
		-148		dBm/Hz	$-50 \leq P_{OUT} \leq +27.5\text{dBm}$, RX=2110MHz to 2170MHz (W-CDMA), TX/RX Offset=190MHz
		-148		dBm/Hz	$-50 \leq P_{OUT} \leq +27.5\text{dBm}$, RX=2400MHz to 2480MHz (Bluetooth)
		-107		dBm/Hz	$-50 \leq P_{OUT} \leq +27.5\text{dBm}$, TX=1932.3MHz to 1980MHz, RX=1893.5MHz to 1919.6MHz (PHS)
Reverse IM Products					
IM 5MHz			-31	dBc	IF offset $f_o+5\text{MHz}$ with CW signal=-40dBc
IM 10MHz			-41	dBc	IF offset $f_o+10\text{MHz}$ with CW signal=-40dBc

Parameter	Specification			Unit	Condition
	Min.	Typ.	Max.		
Low Power Mode (V_{MODE} High)					
Operating Frequency Range	1920		1980	MHz	T=25°C Ambient, V _{CC} =1.5V, V _{CCBIAS} =3.4V, V _{REG} =2.8V, V _{MODE} =2.8V, and P _{OUT} =16dBm for all parameters (unless otherwise specified). Modulation is 3GPP 3.2 03-00 DPCCCH+1DPDCH.
Linear Gain	23	26	31	dB	P _{OUT} =+16dBm
Maximum Linear Output	16			dBm	
Linear Efficiency	18.3	21.0	25.3	%	P _{OUT} =+16dBm
ACLR @ ±5MHz		-41	-37	dBc	
ACLR @ ±10MHz		-54	-48	dBc	
Maximum I _{CC}	105	125	145	mA	P _{OUT} =+16dBm
Input VSWR		2:1			
Output VSWR Stability			6:1		No oscillation > -65dBc
Ruggedness			10:1		No damage
Reverse IM Products					
IM 5MHz			-31	dBc	IF offset f _O +5MHz with CW signal=-40dBc
IM 10MHz			-41	dBc	IF offset f _O +10MHz with CW signal=-40dBc
Power Supply					
Supply Voltage (V _{CC1} and V _{CC2})	3.2	3.4	4.3	V	
	0.6			V	Low power with DC to DC Converter
V _{CC} Bias	1.5		4.3	V	
High Power Idle Current (I _{CC1} /I _{CC2} /I _{CCBIAS})	50	70	105	mA	V _{MODE} =low and V _{REG} =2.8V
Low Power Idle Current (I _{CC1} /I _{CC2} /I _{CCBIAS})	45	60	95	mA	V _{MODE} =high and V _{REG} =2.8V
V _{REG} Current		2.4	5.0	mA	
V _{MODE} Current		150	300	uA	
RF Turn On/Off Time		1.2		uS	
DC Turn On/Off Time		2		uS	
Total Current (Power Down)		0.2	0.5	uA	
V _{REG} Low Voltage (Power Down)	0		0.5	V	
V _{REG} High Voltage (Recommended)	2.75	2.8	2.95	V	
V _{REG} High Voltage (Operational)	2.7		3.0	V	
V _{MODE} Voltage	0		0.5	V	High Power Mode
V _{MODE} Voltage	2.0		3.0	V	Low Power Mode
Peak Envelope Power Detector					
Operating Frequency	1920		1980	MHz	V _{CCBIAS} =3.4V, V _{REG} =2.8V, T=+25°C, R _{DET} =5.1kΩ, Z _{LOAD} =50Ω
DC Output Voltage		0.3		V	P _{OUT} =0W
	0.65	0.70	0.78	V	P _{OUT} =+16dBm, V _{CC1,2} =1.5V, V _{MODE} =2.5V
	2.2	2.5	2.8	V	P _{OUT} =+27.5dBm, V _{CC1,2} =3.4V, V _{MODE} =0.2V

RF5198

Pin	Function	Description	Interface Schematic
1	RF IN	RF input internally matched to 50Ω. This input is internally AC-coupled.	
2	GND	Ground connection.	
3	VMODE	For nominal operation (High Power mode), V _{MODE} is set LOW. When set HIGH, devices are biased lower to improve efficiency at lower output levels.	
4	VREG	Regulated voltage supply for amplifier bias circuit. In power down mode, both V _{REG} and V _{MODE} need to be LOW (<0.5V).	
5	VDET	An external load resistor (RDET) is required on this pin. A lowpass filter or averaging functionality is also required to reduce voltage ripple (due to modulation) to an acceptable amount. An isolator is required on the PA RF output for proper operation of PDET when the PA operates into a non-50Ω load impedance.	
6	NC	No connection. Do not connect this pin to any external circuit.	
7	NC	No connection. Do not connect this pin to any external circuit.	
8	NC	No connection. Do not connect this pin to any external circuit.	
9	RF OUT	RF output. Internally AC-coupled.	
10	VCC2	Output stage collector supply. Please see the schematic for required external components.	
11	VCC2	Same as pin 10.	
12	VCC2	Same as pin 10.	
13	NC	No connection. Do not connect this pin to any external circuit.	
14	IM	Interstage matching. Connect to pin 15.	
15	VCC1/IM	First stage collector supply and interstage matching.	
16	VCCBIAS	Power supply input for the DC bias circuitry.	
Pkg Base	GND	Ground connection. The backside of the package should be soldered to a top side ground pad which is connected to the ground plane with multiple vias. The pad should have a short thermal path to the ground plane.	

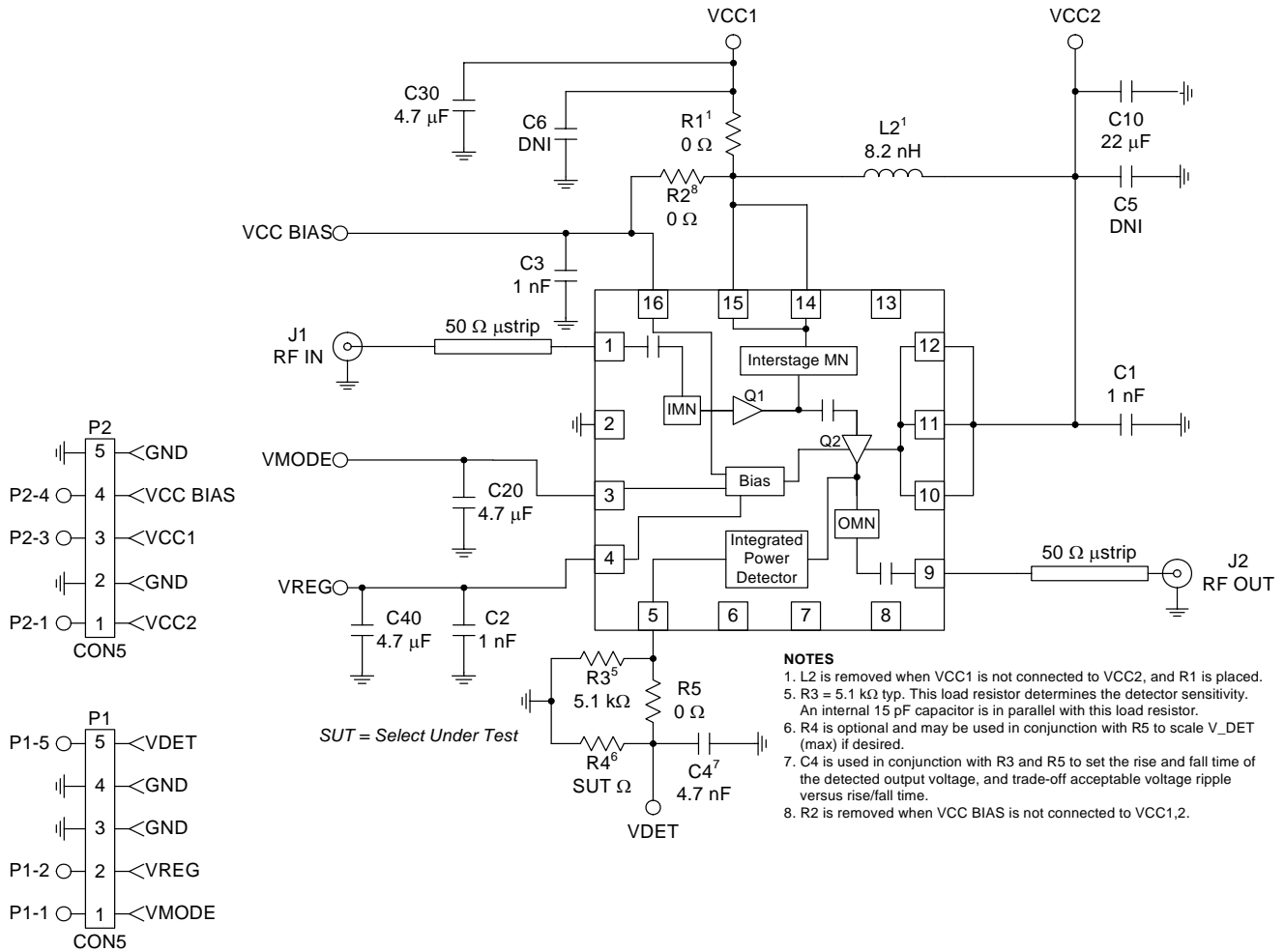
Application Schematic



Circuit Optimization for Various Output Power Requirements

Output Power (dBm)	Matching Component	Sample Part Number	Typical Efficiency (%)
28	12nH	LQG15HN12NJ02D (Murata)	41
27.5	N/A		42
26.5	0.5pF	GRM1555C1HR50BZ01E (Murata)	42
26	1.0pF	GRM1555C1H1R0BZ01E (Murata)	42
25	1.5pF	GRM1555C1H1R5BZ01E (Murata)	41

Evaluation Board Schematic



PCB Design Requirements

PCB Surface Finish

The PCB surface finish used for RFMD's qualification process is electroless nickel, immersion gold. Typical thickness is $3\mu\text{inch}$ to $8\mu\text{inch}$ gold over $180\mu\text{inch}$ nickel.

PCB Land Pattern Recommendation

PCB land patterns are based on IPC-SM-782 standards when possible. The pad pattern shown has been developed and tested for optimized assembly at RFMD; however, it may require some modifications to address company specific assembly processes. The PCB land pattern has been developed to accommodate lead and package tolerances.

PCB Metal Land Pattern

A = 0.64×0.28 (mm) Typ.

B = 0.28×0.64 (mm) Typ.

C = 0.78×0.64 (mm)

D = 0.64×1.28 (mm)

E = 1.50 (mm) Sq.

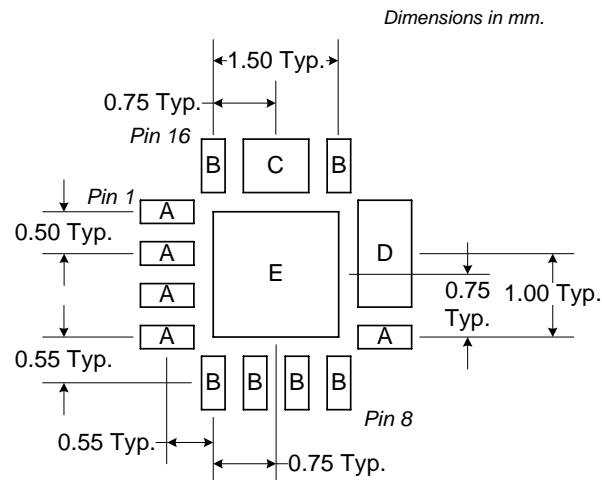


Figure 1. PCB Metal Land Pattern (Top View)

RF5198

PCB Solder Mask Pattern

Liquid Photo-Imageable (LPI) solder mask is recommended. The solder mask footprint will match what is shown for the PCB metal land pattern with a 2mil to 3mil expansion to accommodate solder mask registration clearance around all pads. The center-grounding pad shall also have a solder mask clearance. Expansion of the pads to create solder mask clearance can be provided in the master data or requested from the PCB fabrication supplier.

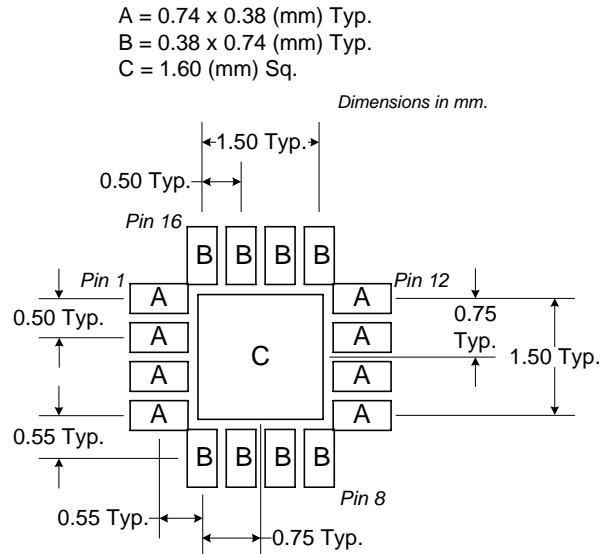


Figure 2. PCB Solder Mask Pattern (Top View)

Thermal Pad and Via Design

The PCB land pattern has been designed with a thermal pad that matches the die paddle size on the bottom of the device.

Thermal vias are required in the PCB layout to effectively conduct heat away from the package. The via pattern has been designed to address thermal, power dissipation and electrical requirements of the device as well as accommodating routing strategies.

The via pattern used for the RFMD qualification is based on thru-hole vias with 0.203mm to 0.330mm finished hole size on a 0.5mm to 1.2mm grid pattern with 0.025mm plating on via walls. If micro vias are used in a design, it is suggested that the quantity of vias be increased by a 4:1 ratio to achieve similar results.