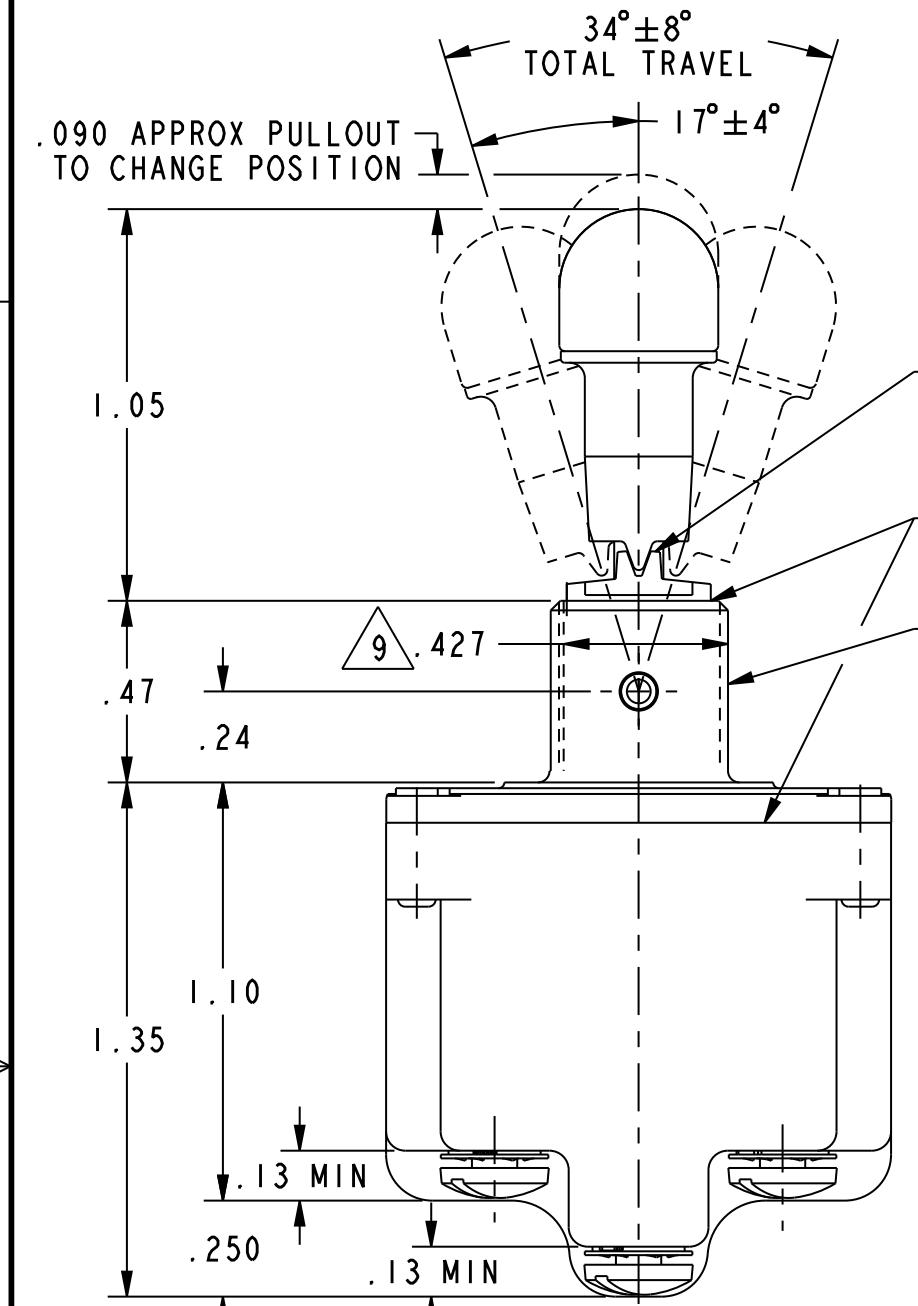
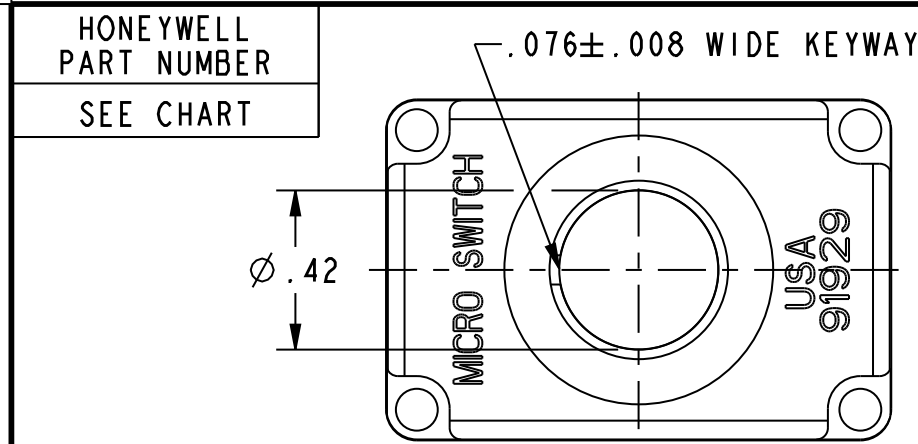
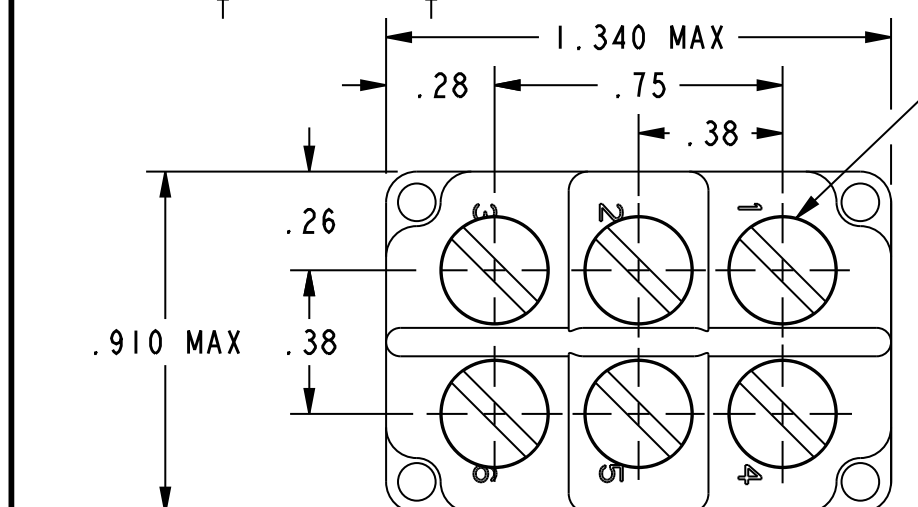


HONEYWELL
PART NUMBER
SEE CHART

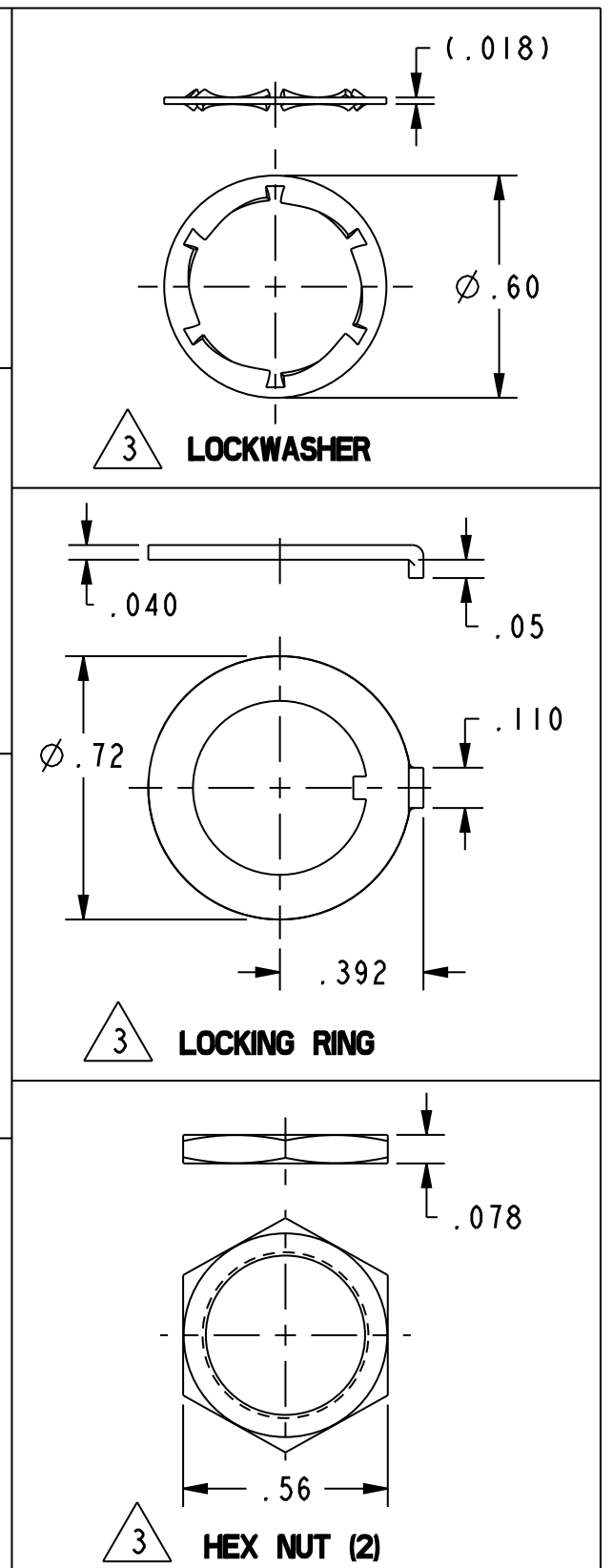
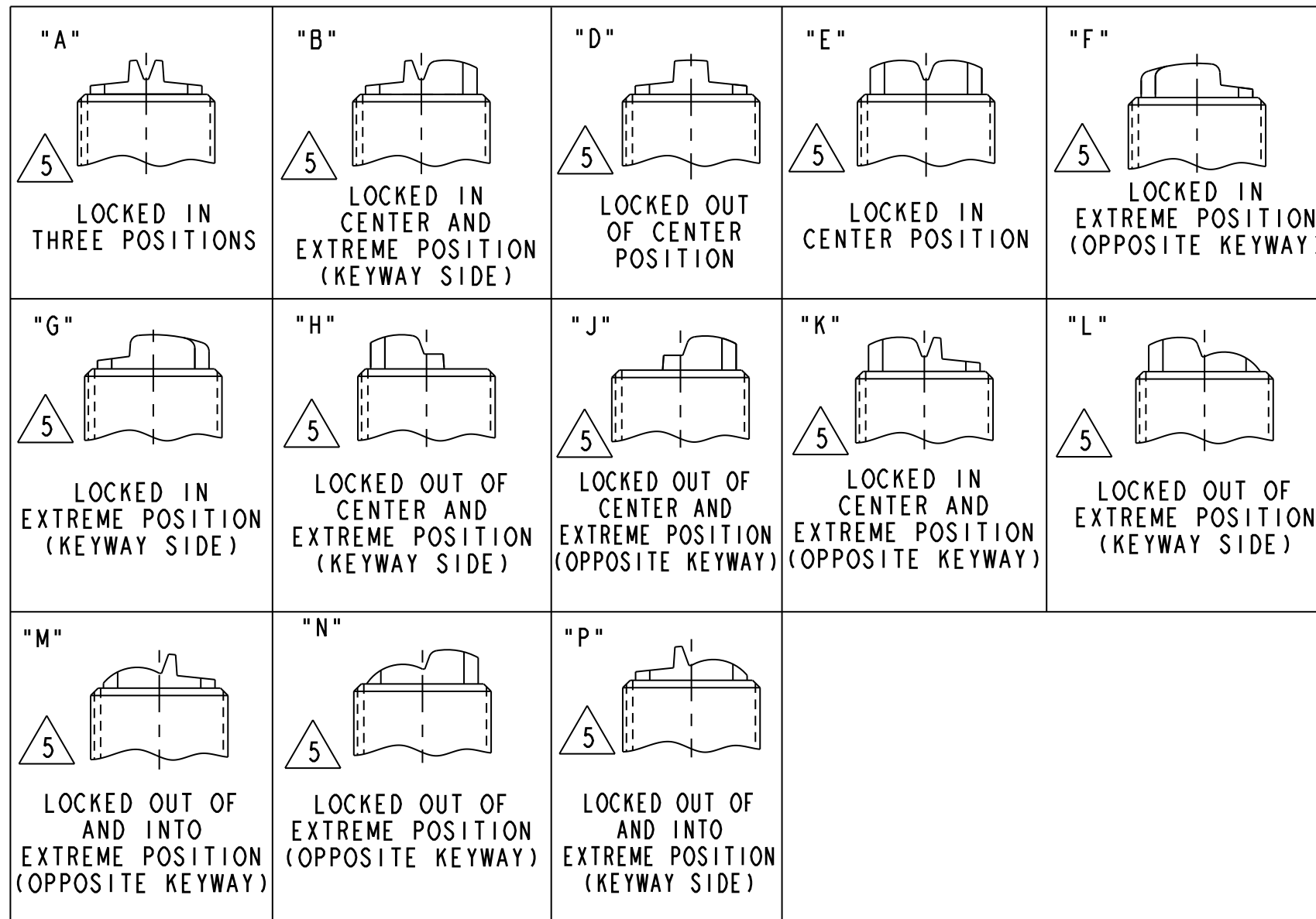
| REV | DOCUMENT | CHANGED BY | CHECK |
|---------------------------------|----------|-------------|-------|
| 33 | 0056412 | SJK IOSEP09 | CMH |
| REDRAWN WITHOUT CHANGE IN PRO-E | | | |



SEE LOCKING DETAILS FOR DESCRIPTION ("A" LOCKING INSERT SHOWN)
SEALED TO PREVENT ENTRANCE OF LIQUIDS OR DUST
15/32-32 UNS-2 THREAD TO WITHIN .060 OF SHOULDER



| MILITARY STANDARD NUMBER 6 | CATALOG LISTING 6 | AVAILABLE LOCKING COMBINATIONS FOR CONFIGURATION SEE LETTERED DETAILS | CIRCUIT MADE WITH TOGGLE LEVER IN | | | MILITARY RATING (AMPS) | | | | | | | | |
|-------------------------------|----------------------|---|-----------------------------------|-------------------|----------------------------|------------------------|-----|----------|----|-----------|---|----------------|----|----|
| | | | KEYWAY SIDE (1-2, 4-5) | CENTER (1-2, 4-5) | OPPOSITE KEYWAY (2-3, 5-6) | RESISTIVE LOAD | | | | LAMP LOAD | | INDUCTIVE LOAD | | |
| | | | | | | DC VOLTS | | AC VOLTS | | VDC | | VAC | | |
| 24659-21 | 2TLI-1 | A, B, D, E, F, G, H, J, K, L, M, N, P | ON | OFF | ON | 20 | .75 | .5 | 15 | 6 | 7 | 4 | 15 | 15 |
| 24659-22 | 2TLI-2 | D, F, G | OFF | NONE | ON | | | | | | | | | |
| 24659-23 | 2TLI-3 | D, F, G | ON | NONE | ON | | | | | | | | | |
| 24659-24 | 2TLI-21 | E, F, K, M | NONE | OFF | ON | | | | | | | | | |
| 24659-33 | 2TLI-31 | E, F, K, M | NONE | ON | ON | | | | | | | | | |
| 24659-29 | 2TLI-4 | F | MOM OFF | NONE | ON | 18 | .75 | .5 | 11 | 6 | 5 | 2 | 10 | 8 |
| 24659-31 | 2TLI-5 | E, F, K, L, M, N | MOM ON | OFF | ON | | | | | | | | | |
| 24659-30 | 2TLI-6 | F | MOM ON | NONE | OFF | | | | | | | | | |
| 24659-27 | 2TLI-7 | E, L, N | MOM ON | OFF | MOM ON | | | | | | | | | |
| 24659-26 | 2TLI-8 | F | MOM ON | NONE | ON | | | | | | | | | |
| 24659-32 | 2TLI-51 | E | NONE | ON | MOM ON | | | | | | | | | |
| 24659-28 | 2TLI-61 | E | MOM ON | OFF | NONE | | | | | | | | | |



- NOTES:
- SWITCHES ARE CAPABLE OF WITHSTANDING A TEMPERATURE OF 160°F CONTINUOUSLY AT FULL RATED LOAD.
 - CIRCUIT DESIGNATION, MICRO SWITCH CATALOG LISTING AND "MS" NUMBER MARKED ON SIDE OF SWITCH.
 - FURNISHED UNASSEMBLED.
 - FOR TERMINAL COVER, SEE MICRO SWITCH CATALOG LISTING 5PA8.
 - KEYWAY SHOWN ON LEFT SIDE.
 - SUFFIX LETTER MUST BE ADDED FOR DESIRED TYPE OF TOGGLE LOCKING. SEE CHART FOR AVAILABLE LOCKING COMBINATIONS.
 - APPLIES ONLY TO "ON" AND "MOMENTARY ON" POSITIONS.
 - THESE SWITCHES ARE QUALIFIED UNDER MIL-S-3950.
 - FROM BOTTOM OF KEYWAY TO MAJOR DIA. OF 15/32 THREAD.

| | |
|---------------------------------|----|
| 15A-125, 250 OR 277 VAC | CE |
| 1/2 HP-125VAC; 1HP-250, 277VAC | |
| 5A-125VAC "L" CODE L191 | RU |
| 10A-125, 250 OR 277 VAC | CE |
| 1/4HP-125VAC; 1/2HP-250, 277VAC | |
| 3A-125VAC "L" CODE L192 | RU |

DESIGN UNITS: INCH
TOLERANCES UNLESS NOTED:

| | | | |
|-------------|------|---|------|
| NO PLACES | x | ± | - |
| ONE PLACE | .x | ± | .03 |
| TWO PLACE | .xx | ± | .015 |
| THREE PLACE | .xxx | ± | .005 |
| ANGLES | x | ± | - |

THIRD ANGLE PROJECTION

| | | |
|--|-----|-----------|
| DRAWN | LSD | 29 JUN 77 |
| CHECK | GCH | 07 JUL 77 |
| THIS DRAWING COVERS A PROPRIETARY ITEM AND IS THE PROPERTY OF HONEYWELL. THIS DRAWING IS NOT TO BE COPIED OR USED WITHOUT THE PERMISSION OF HONEYWELL. | | |
| INTERPRET PER ASME Y14.5M-1994 OTHER HONEYWELL ENGINEERING STANDARDS MAY APPLY | | |
| Pro/ENGINEER 3D | | |

| | | | |
|------------------------|------|------------------------|------------------------|
| Honeywell | | | |
| SWITCH - TOGGLE | | | |
| SIZE | TYPE | CAGE CODE | DRAWING NAME |
| C | I | - | 2TL1 SERIES CHART 2 33 |
| SCALE | 2:1 | WEIGHT: .15 LB. APPROX | SHEET 1 OF 1 |