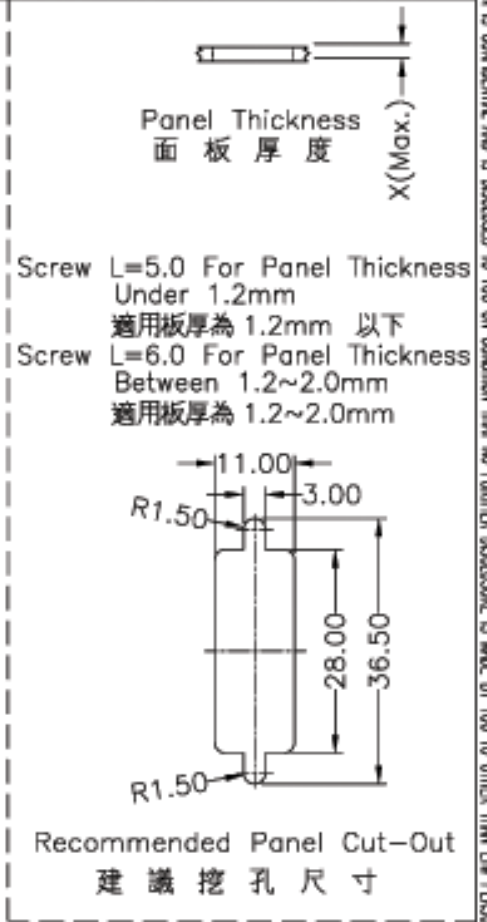
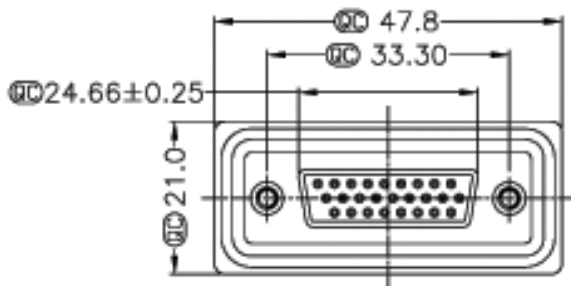
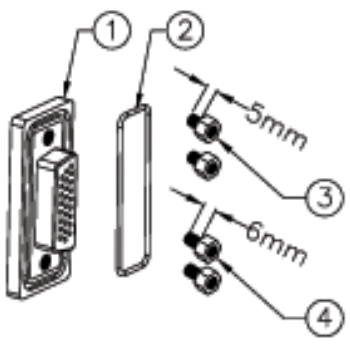
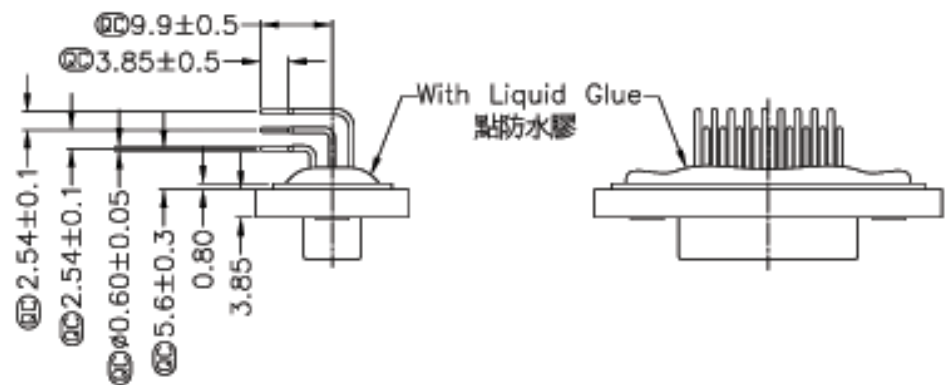
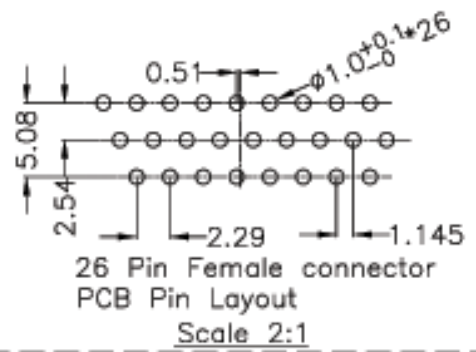


THIS INFORMATION IS CONFIDENTIAL AND IS DISCLOSED TO YOU ON CONDITION THAT NO FURTHER DISCLOSURE IS MADE BY YOU TO OTHER THAN LHM PERSONNEL WITHOUT AUTHORIZATION FROM LHM CORP.

REV.	CON. NO.	DATE	SKN	DESCRIPTION



- Note:
- \*  $\text{①}$  Important Dimension. (①為重點尺寸)
  - \* Waterproof Rate : IP67
  - \* Connector: Black, Nylon+GF
  - \* Pin: Copper Alloy, Gold Plated
  - \* Do Mating Test After Glued  
點膠後, 須作對插測試
  - \* 注意 LOGO 為  $\text{①}$

UNIT:mm		TITLE D-SUB,HD,HD-26PFFP
TOLERANCE JX ±0.25 JXX ±0.1 JXXX ±0.05 ANGLES ±1°	SCALE Free	SHEET 1 OF 1
REV. 01	SIZE A4	$\text{①}$ : Inspection Item



ITEM NO A-HDF-26-AA-WP	DRAWN BY Gao Ling	DATE 2006/05/06
DWG NO A-HDF-26-AA-WP	CHECKED BY Robert Hsu	DATE 2006/05/30
	APPROVED BY Max	DATE 2006/06/02