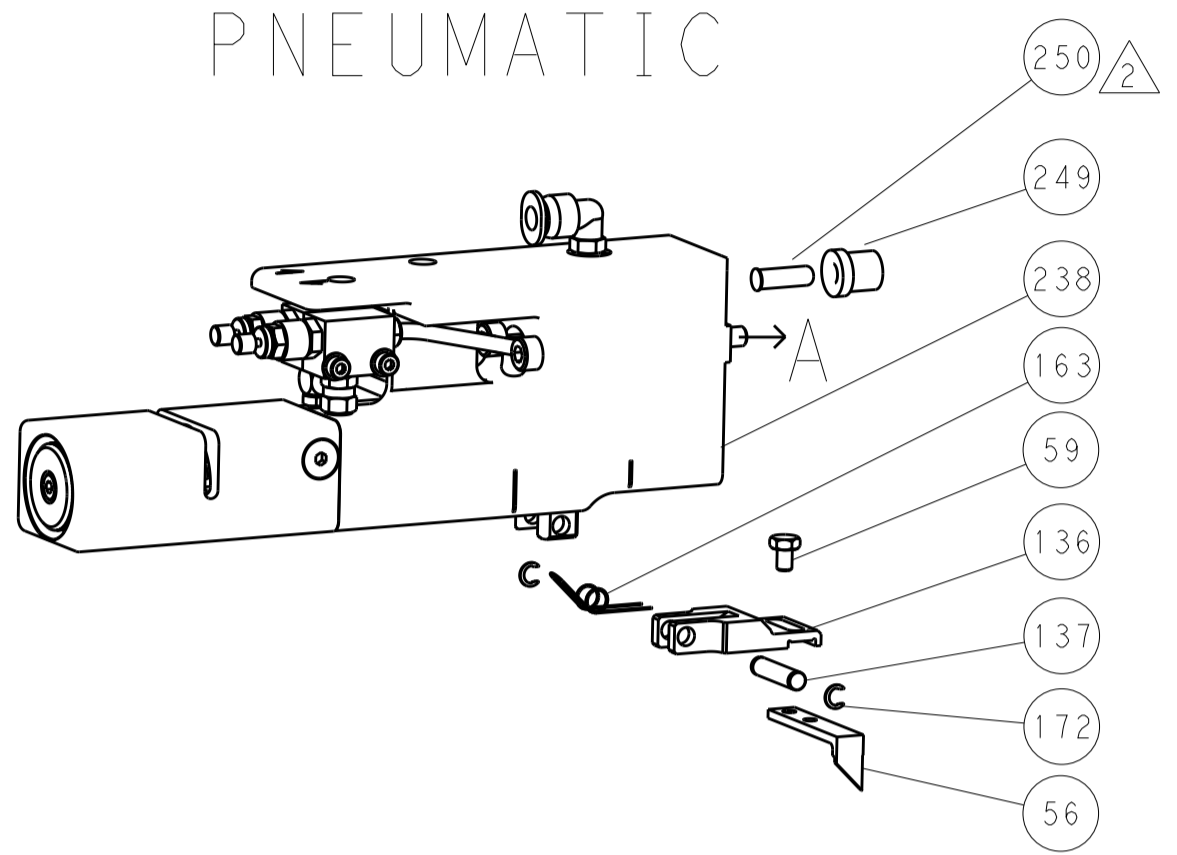


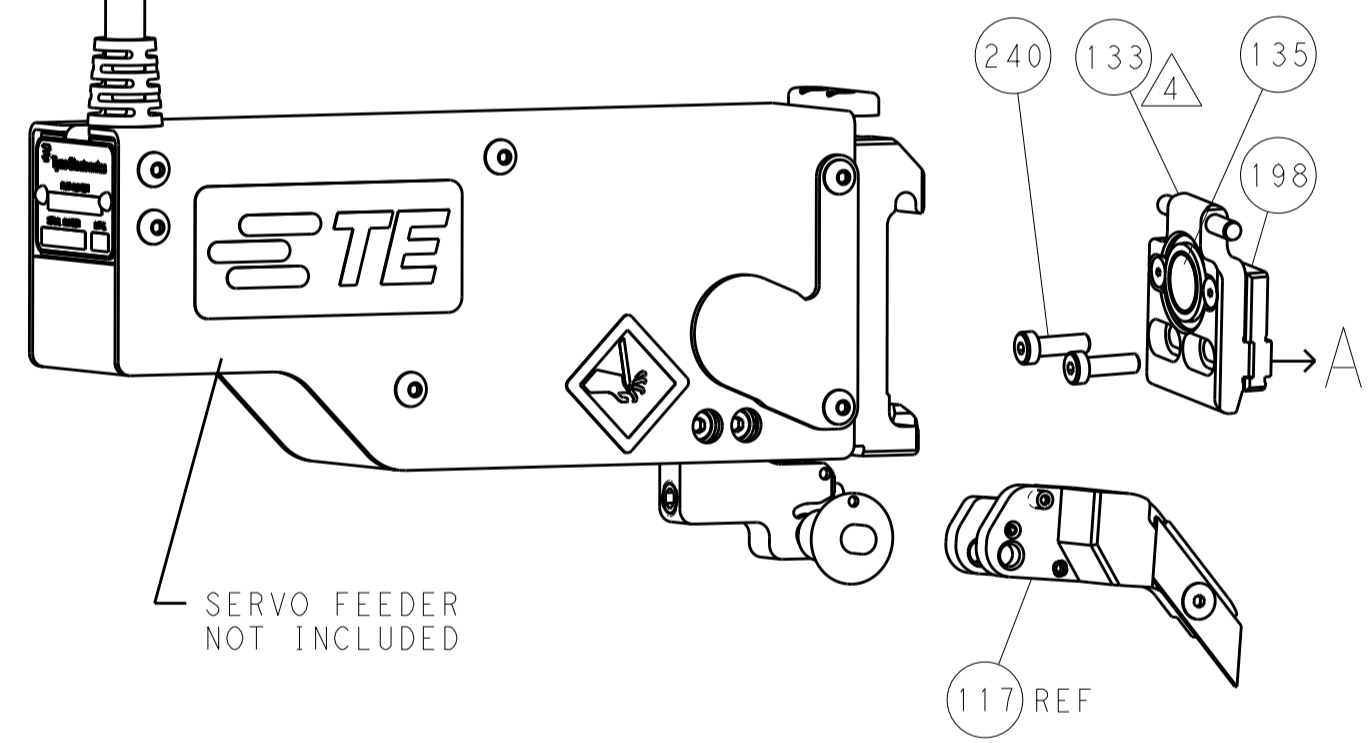
REVISONS		DATE	OWN	APVD
LOC	DIST			
A	66			
P. LTH	DESCRIPTION			
-	SEE SHEET 1			

FEED TYPE

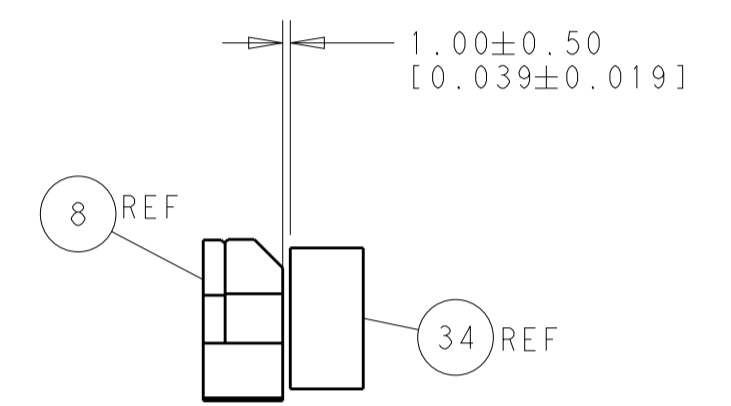
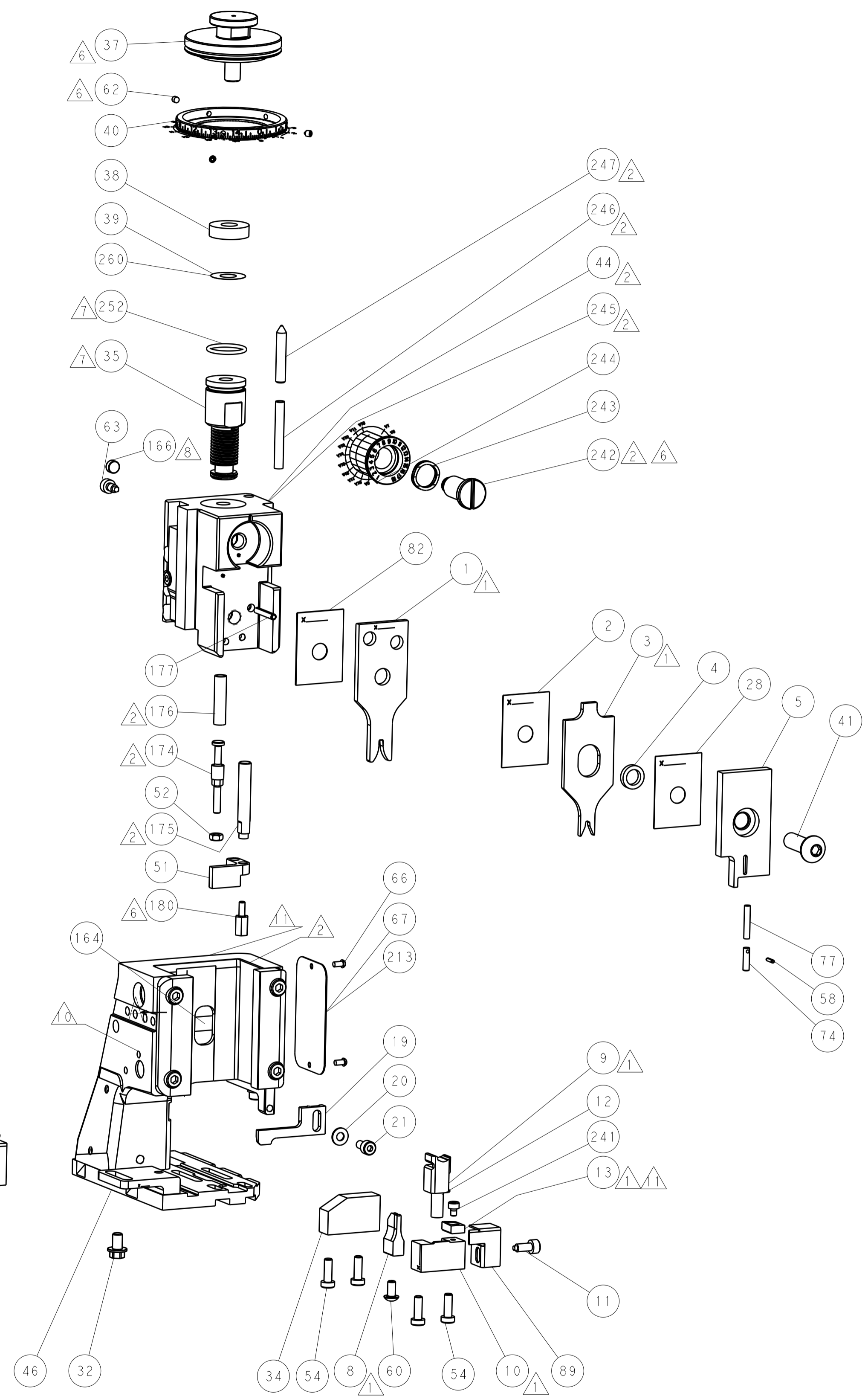
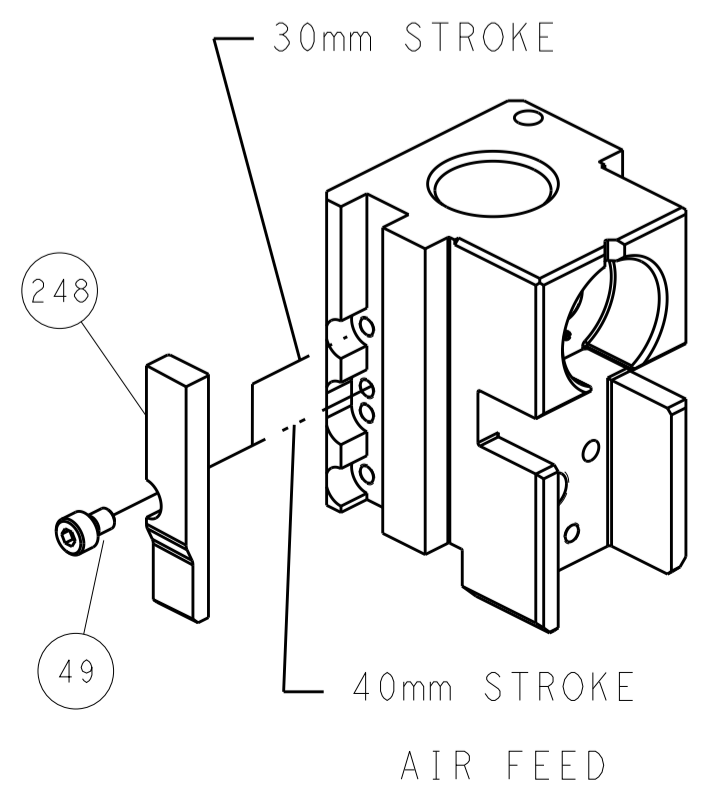
PNEUMATIC



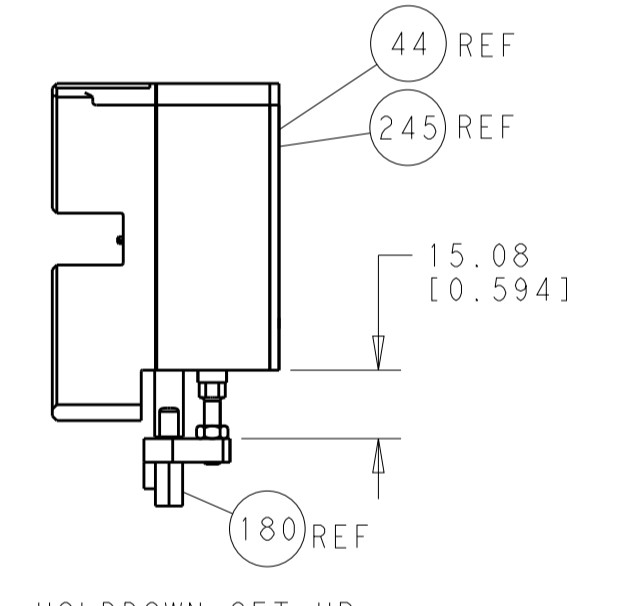
SERVO LATCH PLATE



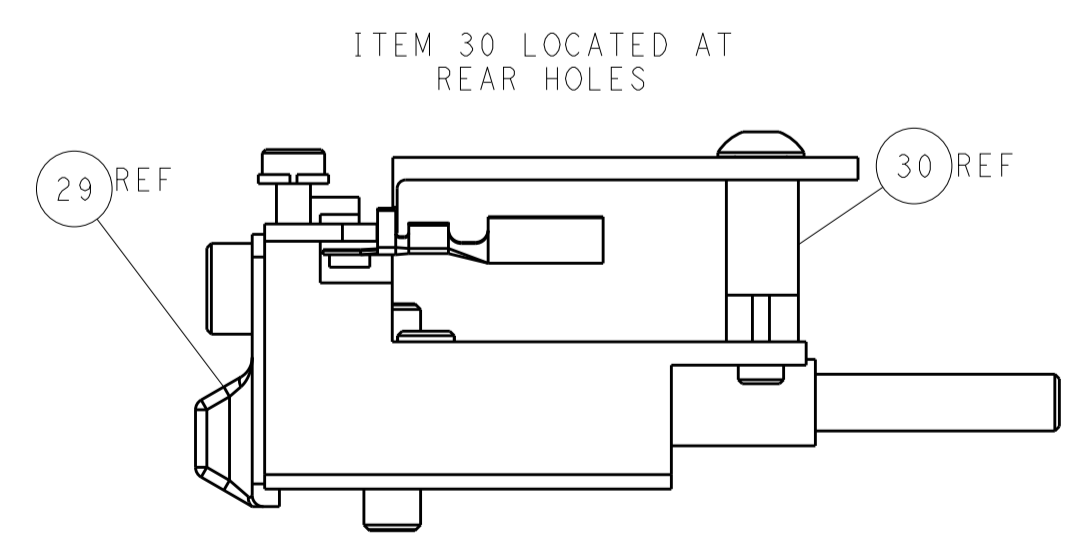
CAM POSITION



TERMINAL SUPPORT LOCATION



HOLDDOWN SET-UP



FEED TRACK POSITION GUIDE BY INSULATION BARREL

ATLANTIC VERSION
 Shown on sheets 1 of 4 & 2 of 4
 (Pacific version shown on sheets 3 of 4 & 4 of 4)

DIMENSIONS:		TOLERANCES UNLESS OTHERWISE SPECIFIED:		DWN Y. YIN 19JUL2012		TE Connectivity	
mm	0 PLC ±0.1	1 PLC ±0.1	2 PLC ±0.02	3 PLC ±0.005	4 PLC ±0.0005	5 PLC ±0.0005	Harrisburg, PA 17105-3608
MATERIAL:		FINISH:		CHK G. BAILEY 19JUL2012		NAME Ocean Side Feed Applicator	
-		-		APVD S. XI 19JUL2012		SIZE CAGE CODE DRAWING NO RESTRICTED TO	
-		-		PRODUCT SPEC		A1 00779 C=2151349	
-		-		APPLICATION SPEC		Customer Accessible Production Drawing	
-		-		WEIGHT		SCALE 1:1 SHEET 2 OF 4 REV A	

REVISONS		DATE	OWN	APVD
LOC	DIST			
A	66			
P	LTN	DESCRIPTION		
		SEE SHEET 1		

DIMENSIONING AND TOLERANCING PER ASME Y14.5M-2003

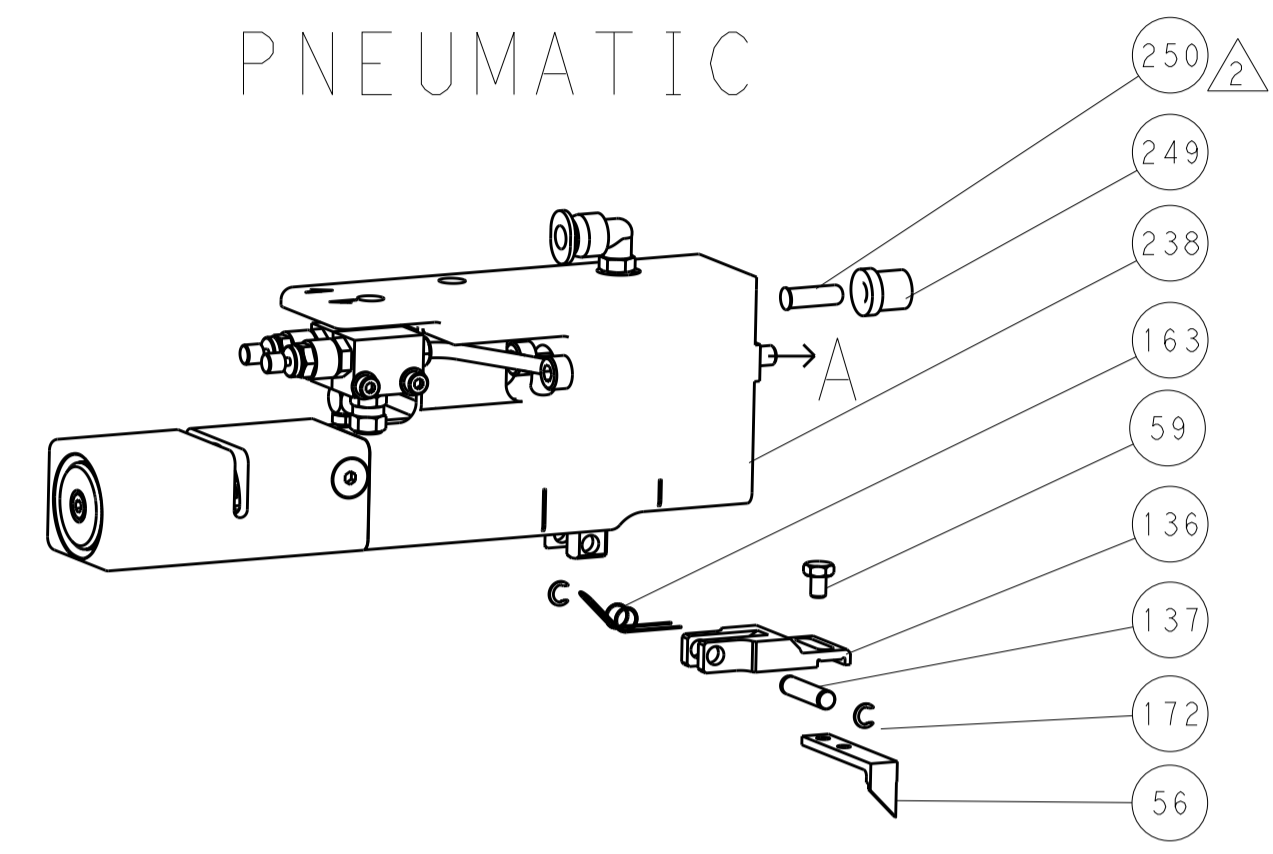
C

B

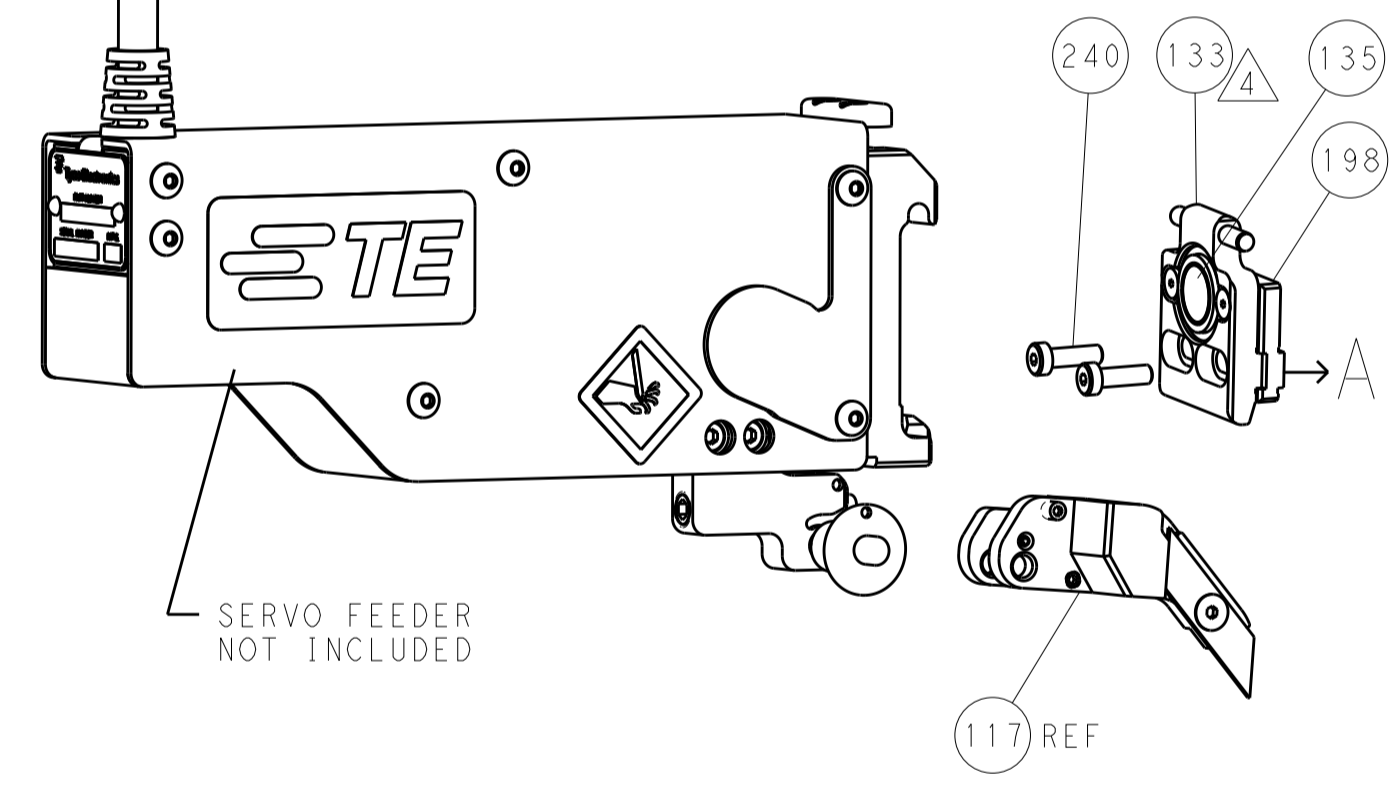
A

FEED TYPE

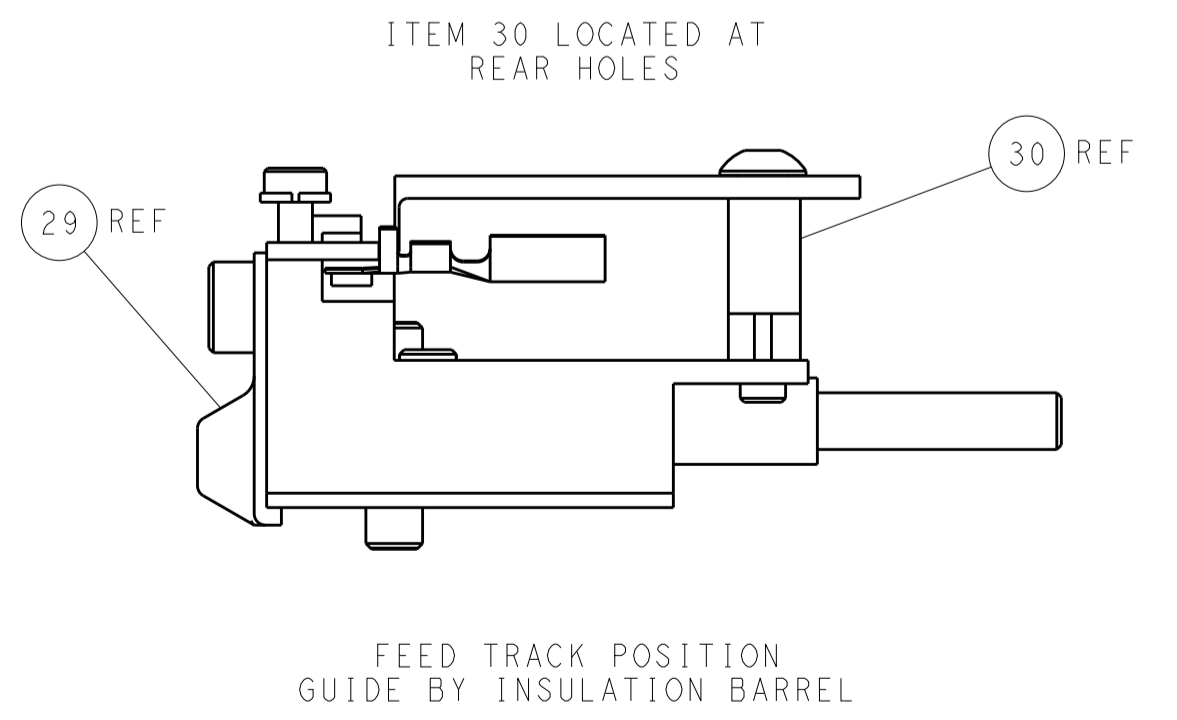
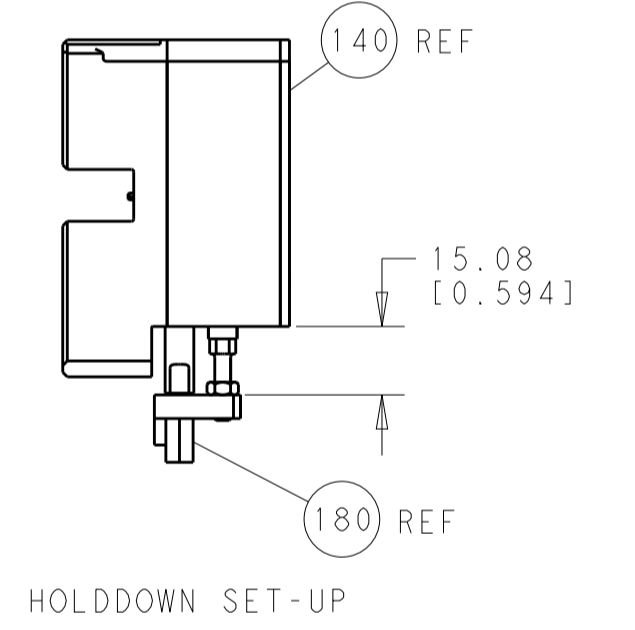
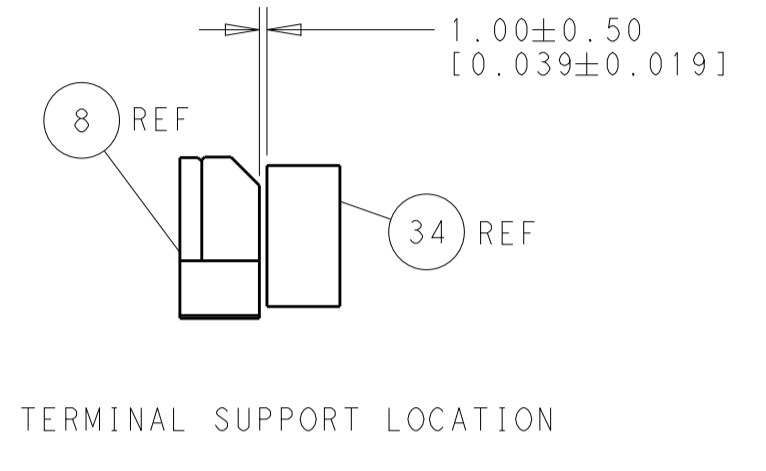
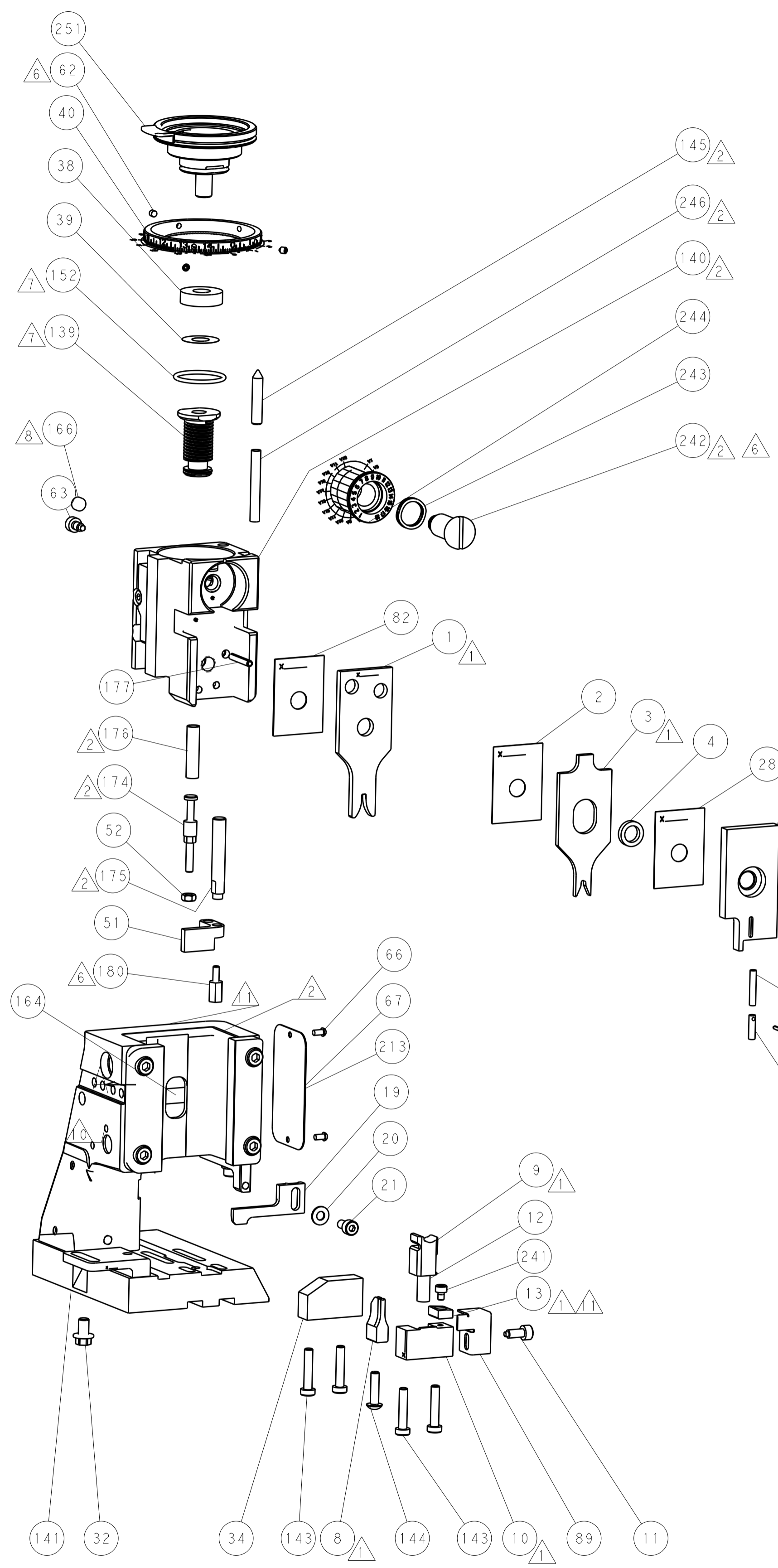
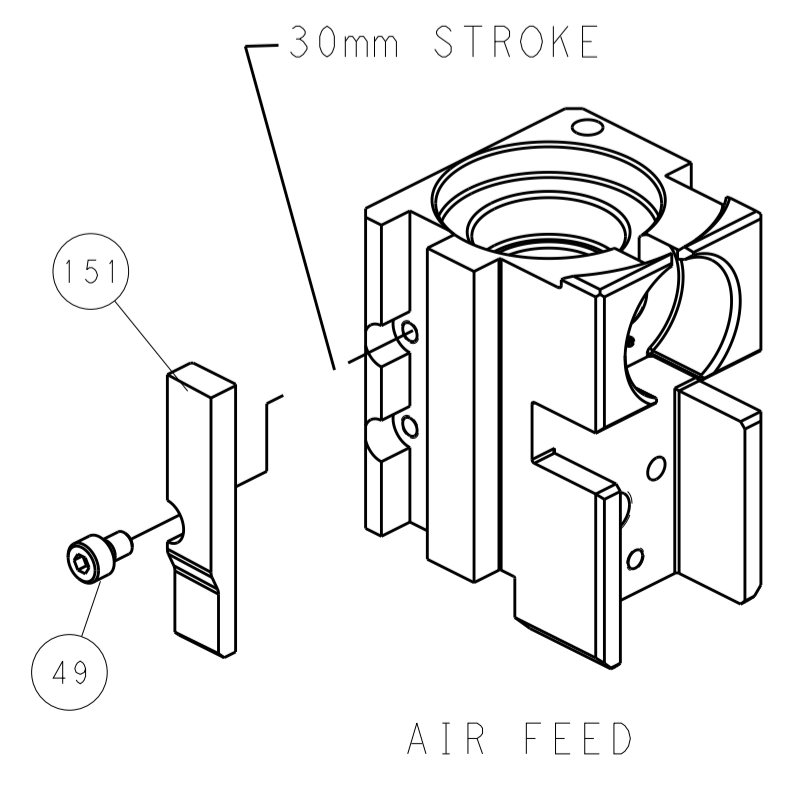
PNEUMATIC



SERVO LATCH PLATE



CAM POSITION



PACIFIC VERSION
 Shown on sheets 3 of 4 & 4 of 4
 (Atlantic version shown on sheets 1 of 4 & 2 of 4)

DIMENSIONS:		TOLERANCES UNLESS OTHERWISE SPECIFIED:		DWN Y. YIN 19JUL2012		TE Connectivity	
mm	0 PLC ±0.1	1 PLC ±0.1	2 PLC ±0.02	3 PLC ±0.005	4 PLC ±0.0005	APVD S. XI 19JUL2012	Harrisburg, PA 17105-3608
MATERIAL:		FINISH:		NAME		Ocean Side Feed Applicator	
				SIZE CAGE CODE DRAWING NO		RESTRICTED TO	
				A1 00779 C=2151349			
				Customer Accessible Production Drawing		SCALE 1:1 SHEET 4 OF 4 REV A	