



**AS85049/36**  
**EMI/RFI Non-Environmental Backshell**

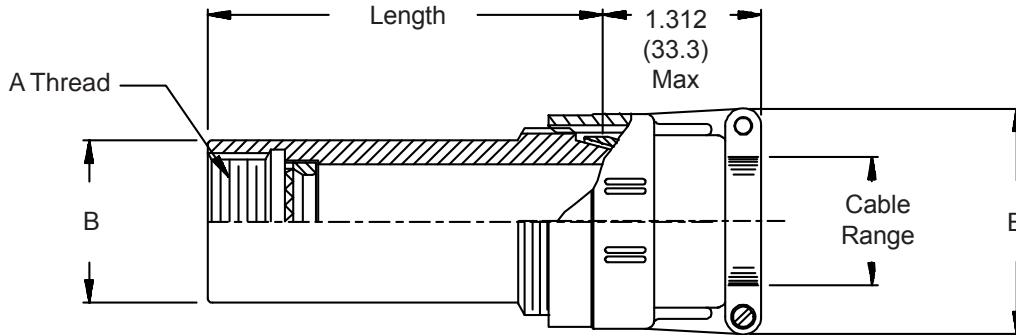
**Glenair Connector  
Designator F**

MIL-DTL-38999 Series I & II,  
40M38277, PAN 6433-1, PATT  
614, PATT 616,  
NFC93422 Series HE308 &  
HE309

**M85049/36 10 N 03 A**

Basic Part No. \_\_\_\_\_  
Shell Size \_\_\_\_\_  
Finish \_\_\_\_\_  
N = Electroless Nickel  
W = 1,000 Hr. Cadmium Olive Drab  
Over Electroless Nickel

Length Code (Omit for  
Standard)  
Clamp Size



**TABLE I**

Shell Size	Series I Ref.	Clamp Size (Table IV)		A Thread Class 2B	B Dia Max
		Min	Max		
08	09	01	02	.438 - 28 UNEF	.65 (16.5)
10	11	01	03	.562 - 24 UNEF	.77 (19.6)
12	13	02	04	.688 - 24 UNEF	.89 (22.6)
14	15	02	05	.813 - 20 UNEF	1.02 (25.9)
16	17	02	06	.938 - 20 UNEF	1.15 (29.2)
18	19	03	07	1.063 - 18 UNEF	1.23 (31.2)
20	21	03	08	1.188 - 18 UNEF	1.36 (34.5)
22	23	03	09	1.313 - 18 UNEF	1.48 (37.6)
24	25	04	10	1.438 - 18 UNEF	1.73 (43.9)

**TABLE II**

Clamp Size	Cable Range		E Max
	Min	Max	
01	.062 (1.6)	.125 (3.2)	.781 (19.8)
02	.125 (3.2)	.250 (6.4)	.969 (24.6)
03	.250 (6.4)	.375 (9.5)	1.062 (27.0)
04	.312 (7.9)	.500 (12.7)	1.156 (29.4)
05	.437 (11.1)	.625 (15.9)	1.250 (31.8)
06	.562 (14.3)	.750 (19.1)	1.375 (34.9)
07	.687 (17.4)	.875 (22.2)	1.500 (38.1)
08	.812 (20.6)	1.000 (25.4)	1.625 (41.3)
09	.937 (23.8)	1.125 (28.6)	1.750 (44.5)
10	1.062 (27.0)	1.250 (31.8)	1.875 (47.6)

**TABLE III**

Length Code	Available Shell Sizes	Length
Std.	08 - 24	1.50 (38.1)
A	08 - 24	2.50 (63.5)
B	14 - 24	3.50 (88.9)
C	20 - 24	4.50 (114.3)

1. For complete dimensions see applicable Military Specification.
2. Metric dimensions (mm) are indicated in parentheses.
3. Cable range is defined as the accommodation range for the wire bundle or cable. Dimensions shown are not intended for inspection criteria.