

1 | 2 | 3 | 4 |

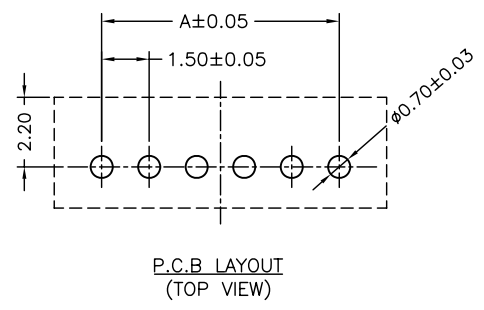
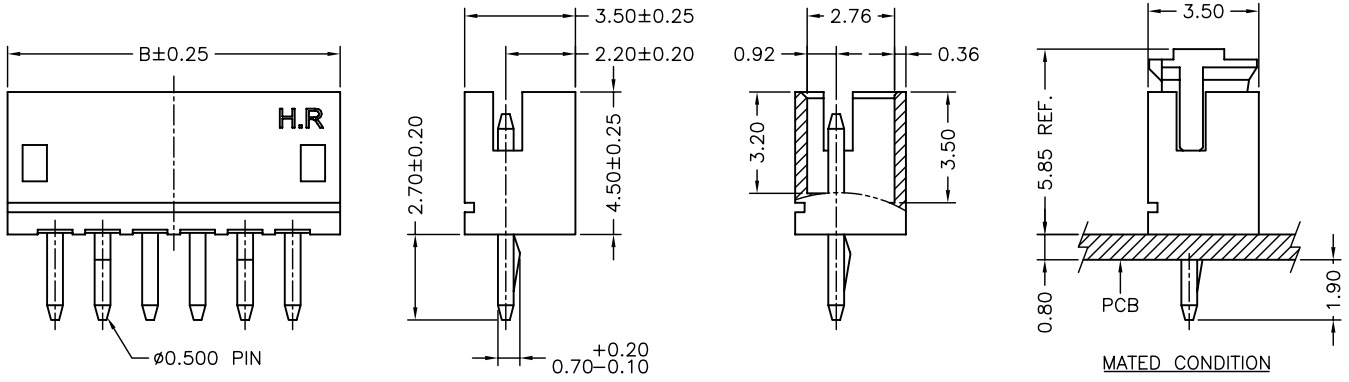
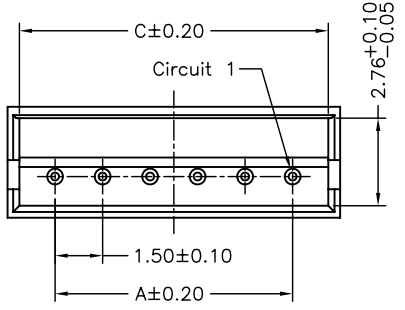
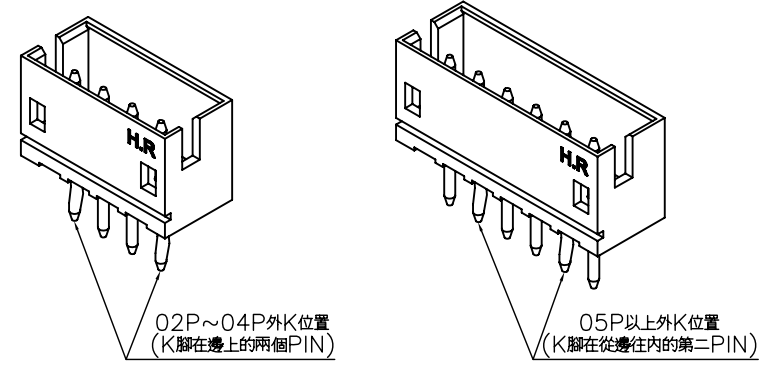
P/N LEGEND

A1500 WV-XP XXX			
①	②	③	④
① Series No.			
② Connector type: WV=Vertical			
③ No. of circuits			
④ Option code:			
Blank= Nylon 66-V0, Tin-plated, Gray(7528C)			
WH = Nylon 66-V0, Tin-plated, White			
BK = Nylon 66-V0, Tin-plated, Black			

SPECIFICATIONS

Current Rating: 1A AC,DC
 Voltage Rating: 100V AC,DC
 Temperature Range: -25°C ~ +85°C
 Contact Resistance: 20mΩ Max.
 Insulation Resistance: 500MΩ Min.
 Withstanding Voltage: 500V AC/minute
 Pin Material: Brass

Circuit No.	Dimensions		
	A	B	C
02P	1.50	4.50	3.75
03P	3.00	6.00	5.25
04P	4.50	7.50	6.75
05P	6.00	9.00	8.25
06P	7.50	10.50	9.75
07P	9.00	12.00	11.25
08P	10.50	13.50	12.75
09P	12.00	15.00	14.25
10P	13.50	16.50	15.75
11P	15.00	18.00	17.25
12P	16.50	19.50	18.75
13P	18.00	21.00	20.25
15P	21.00	24.00	23.25



燦達電子工業股份有限公司
JOINT TECH ELECTRONIC IND. CO., LTD.

UNIT	SCALE	SHEET	TITLE:		
mm	1 : 1	1 of 1			
DRAWN BY	APPROVED BY				
董正一	董正一		1.50mm PITCH 180° WAFER		
2001.02.01	2001.02.01				
GENERAL TOLERANCE			DRAW NO. : A1500WV-XP		
C0	EN1704060001	2017.04.06		周傑亮	
B5	EN1012220297	2011.05.11		陳錦展	
REV.	DESCRIPTION	DATE		NAME	
				X.X±0.25	ANGLE±
				X.XX±0.15	
				X.XXX±0.05	
					REV. CO

1 | 2 | 3 | 4 |