

CONPROSYS Series
Relay Output Module
CPS-RRY-4PCC



* Specifications, color and design of the products are subject to change without notice.

Features

Relay outputs (Form C) with independent common

This product has four channels of relay outputs (Form C) with independent common. Independent common terminal provided per channel, capable of supporting a different external power supply. The rated load is designed to be a high-capacity of 240VAC 6A, 24VDC 5A per channel.

* The following ratings need to be satisfied in order to meet CE, ULs requirements. Use the product within these ratings.
 CE: 240VAC/3A (Resistive), 24VDC/5A (Resistive)
 UL: 240VAC/6A (Resistive), 24VDC/5A (Resistive)

Relay isolation

As bus is isolated from the output interfaces by relays, this product has excellent noise performance.

Compact design

Compact design, 25.2 (W)×94.7(D)×124.8 (H), features flexibility in installation.

Adaptable to a temperature range between -20 and +60°C

The product is capable of operating in the temperature between -20 and + 60°C. It can be installed in the various environments.

Installation easy with two pieces of terminal support and DIN rail

You can install and remove a terminal connector without a screwdriver so that it can shorten the time of the replacement. As the product can be not only mounted on DIN rail, but also is removable along the side rails, replacing is simple and easy as well.

Equipped with LED for an operation check

The product has LED for an operation check, which helps you visually confirm the communication status of each interface.

No electrolytic capacitor battery

No electrolytic capacitor is used. The Contec is creating the product with a longer life.

This product is a configurable module to provide a function of relay output interface and operates along with the configurable type controller of our CONPROSYS series. It contains four channels of relay outputs (Form C) with independent common.

- * The contents in this document are subject to change without notice.
- * Visit the CONTEC website to check the latest details in the document.
- * The information in the data sheets is as of August, 2019.

Specifications

Function specifications

Item		CPS-RRY-4PCC
Output	Number of output signal channels	4 (Independent common)
	Output format	Relay contacts (Form C) output
	LED	0 - 3 (Green)
	Operate time (ON)	Within 20ms
	Release time (OFF)	Within 20ms
	Contact resistance (Initial state)	125mΩ max.
	Relay contact spec. *1*2	Rated load
Maximum voltage		400VAC, 300VDC
Maximum current		6A (AC), 5A (DC)
Mechanical life expectancy		10,000,000 operations min or more (Switching times : 300 operations/min)
Electrical lifetime		50,000 operations min. (Switching times : 10 operations/min, with rated load)
Connector	2 pieces 5.08mm pitch 3-pin terminal	
Applicable wire	AWG28 - 12	
LED	Status (Green, Red)	
Supply voltage	24VDC (±10%)	
Current consumption	0.1A (Max)	
Physical dimensions (mm)	25.2(W)×94.7(D)×124.8(H) (No projection included)	
Weight	250g	
Installation method	Quick mounting on the 35mm DIN rail	

*1 To meet CEs requirements, the rating should be up to 240VAC/3A (Load resistor), 24VDC/5A (Load resistor). As for ULs requirements, the rating should be up to 240VAC/6A (Load resistor), 24VDC/5A (Load resistor). Use the product within the specified ratings to satisfy these requirements.

*2 Refer to the maximum switching capacity listed in the Reference Manual (Hardware) and use the product within the specified voltage and current range.

Caution

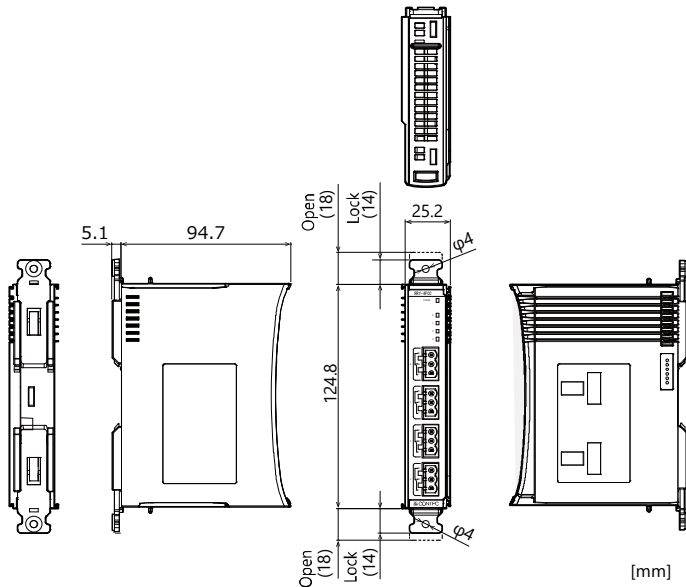
You can set the modules as you desire to the configurable controller up to 16 modules. The total current consumption of the modules should be less than 3.3A.

Installation Environment Requirements

Item		CPS-RRY-4PCC
Operating ambient temperature		-20 - +60°C
Operating ambient humidity		10 - 85%RH (No condensation)
Non-operating ambient temperature		-20 - +60°C
Non-operating ambient humidity		10 - 85%RH (No condensation)
Floating dust particles		Not to be excessive
Corrosive gases		None
Line-noise resistance	Line noise	Signal Line /± 1kV(IEC61000-4-4 Level 3, EN61000-4-4 Level 3)
	Static electricity resistance	Touch /± 4kV(IEC61000-4-2 Level 2, EN61000-4-2 Level 2) Air /± 8kV(IEC61000-4-2 Level 3, EN61000-4-2 Level 3)
Vibration resistance	Sweep resistance	10 - 57Hz *3 /semi-amplitude vibration 0.15mm, 57 - 150Hz/2.0G 40minutes each in X, Y, and Z directions (JIS C60068-2-6-compliant, IEC60068-2-6-compliant)
	Shock resistance	15G half-sine shock for 11ms in X, Y, and Z directions (JIS C 60068-2-27 -compliant, IEC 60068-2-27 -compliant)
Standard		VCCI Class A, FCC Class A, CE Marking (EMC Directive Class A, Low Voltage Directive, RoHS Directive), UL

*3 When you use an optional power product: 10 - 55Hz (See the manual of optional power product for details)

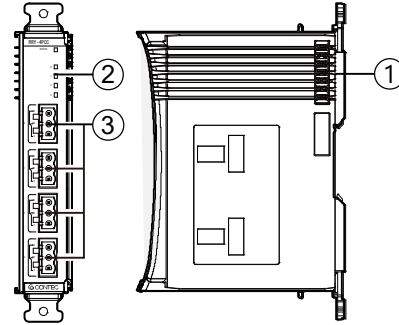
Physical Dimensions



Packing List

- Product [CPS-RRY-4PCC] ...1
- Product Guide ... 1
- Warranty Certificate ...1
- Serial number Label ...1
- 3-pin Connector ...4

Component Name



No.	Name	Function
1	Stack Bus	Used for power supply and communication with the configurable type module.
2	LED Indicator	This indicates status of the product
3	Relay Output connector	This is a connector for relay output. (Use the 3-pin connector, included in the package)

List of Option

Configurable Type Controller

- CPS-MCS341-DS1-111 Configurable Type CPU module
- CPS-MCS341-DS1-131 Configurable Type CPU module + OPC UA server + MTConnect
- CPS-MCS341G-DS1-130 Configurable Type CPU module +3GWAN
- CPS-MCS341Q-DS1-131 Configurable Type CPU module +920MHz LAN
- CPS-ECS341-1-011 Ether CAT Slave Module

DIN rail mounting power supply

- CPS-PWD-90AW24-01 DIN rail mounting power supply 90[w]
(Input: 100 - 240VAC, output: 24VDC 3.8 A)
- CPS-PWD-30AW24-01 DIN rail mounting power supply 30[w]
(Input: 100 - 240VAC, output: 24VDC 1.3 A)