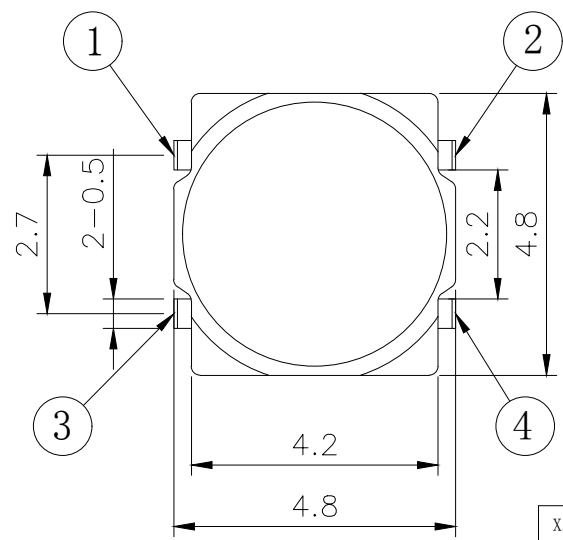
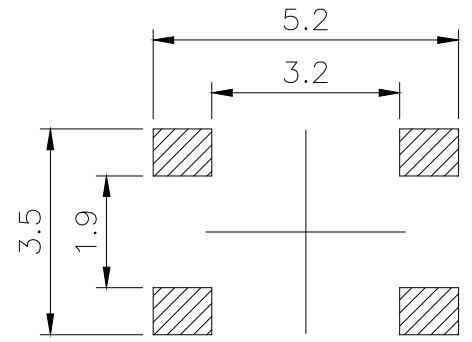
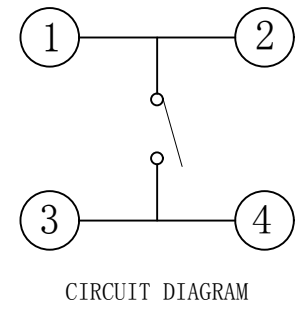
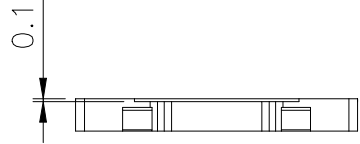
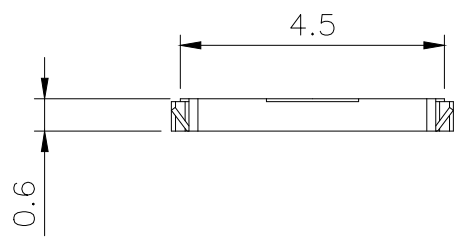
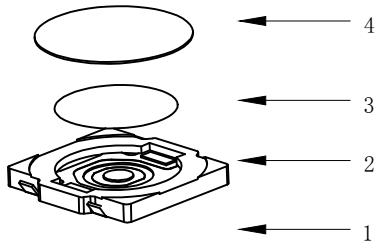


RoHS

CAD GENERATED DRAWING. DON'T CHANGE BY HAND.

| | | |
|------|----------|-------|
| REV. | ECN. NO. | APPD. |
| | | |



Specification

| | |
|-----------------------|--------------|
| Rate voltage. current | 50mA DC12V |
| Contact resistance | ≤100mΩ |
| Operating force | 250±50gf |
| Travel | 0.15±0.10mm |
| Insulated resistance | ≥100MΩ |
| Dielectric strength | ≥250VAC/1min |
| Life cycle | ≥100000次 |

| ITEM | PART NAME | Q' TY | MATERIAL | FINSH/COLOR |
|------|-----------|-------|-----------------|-------------|
| 4 | Dust film | 1 | Polyimide | Orange |
| 3 | Shrapnel | 1 | Stainless steel | Silver |
| 2 | Housing | 1 | LCP | White |
| 1 | Cards | 1 | Brass | Silver |

| | | | | |
|--|-------|------|--------|-------------|
| X. | ±0.50 | X. ° | ± 2° | UNITS mm |
| .X | ±0.30 | .X° | ± 1° | |
| .XX | ±0.10 | .XX° | ± 0.5° | MAT'L |
| .XXX | ±0.05 | | | |
| THESE DRAWINGS AND SPECIFICATIONS ARE THE PROPERTY OF YIYUAN TECHNOLOGY CO.,LTD AND SHALL NOT BE REPRODUCED, COPIED OR USED IN ANY MANNER WITHOUT THE PRIOR WRITTEN CONSENT OF YIYUAN TECHNOLOGY CO.,LTD | | | | |
| FINISH | | | | |
| Q' TY | | | | |

| | | | |
|---------------------------|---|--------------------------|------|
| | 深圳市怡远科技有限公司 SHENZHEN YIYUAN TECHNOLOGY CO.,LTD | | |
| | PART NO. YTS-C002-2 | TITLE: TACTILE SWITCH | |
| APPD: ROGER | DWG NO.: YTS-C002-2 | | |
| CHKD: ROC | | | |
| DR: BILLY WANG 2020/08/21 | | | |
| | SCALE | SHEET | REV. |
| | 1/1 | 1/1 | A1 |