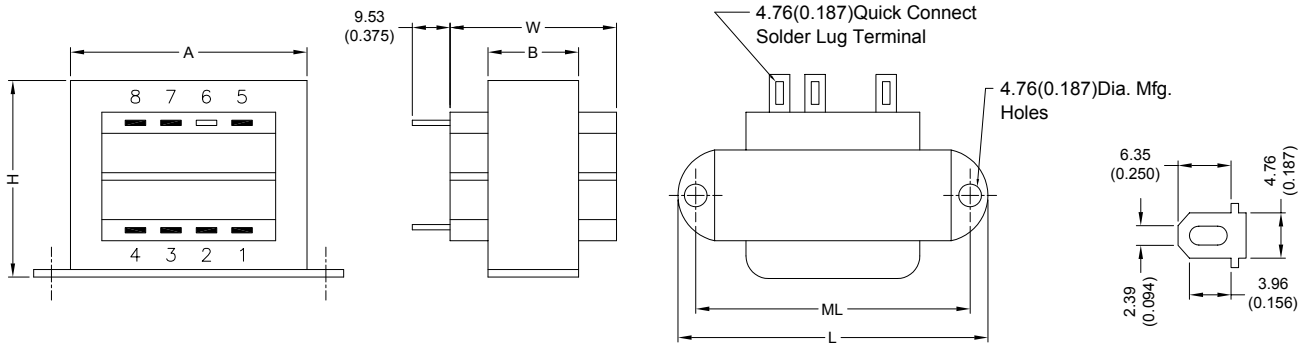


# POWER TRANSFORMER

## DCS3-30 (F) SERIES

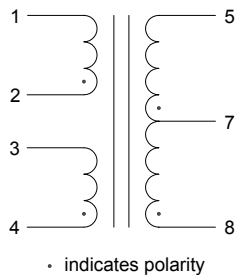
### 1. CONFIGURATION & DIMENSIONS :



UNIT : mm (inch)

SIZE	VA	L	W	H	A	B	ML	gram
3	2.4	52.40 (2.063)	27.00 (1.063)	30.18 (1.188)	41.28 (1.625)	14.30 (0.563)	44.45 (1.75)	113.40

### 2. SCHEMATIC :



### 3. ELECTRICAL CHARACTERISTICS ( @ 25°C ) :

- |                                      |                              |
|--------------------------------------|------------------------------|
| a. Primary Voltage                   | AC 115/230 V 50/60 Hz .      |
| b. No Load Primary Current           | Less Than 10mA / 15mA .      |
| c. Secondary Voltage (±5%)           |                              |
| Pin 5-8 C.T. Pin 7                   | AC 36.60 V / 36.60 V .       |
| d. Secondary Load Current            | 0.08A .                      |
| e. Full Load Primary Current         | Less Than 40mA / 25mA .      |
| f. Full Load Secondary Voltage (±5%) | 30.00V / 30.00V .            |
| Pin 5-8 C.T. Pin 7                   |                              |
| g. DC Resistance                     |                              |
| Pin 1-2                              | Primary-1 = 575 Ohm .        |
| Pin 3-4                              | Primary-2 = 750 Ohm .        |
| Pin 5-7                              | Secondary-1 = - Ohm .        |
| Pin 7-8                              | Secondary-2 = - Ohm .        |
| h. Insulation Resistance             | DC 500V 100Meg Ohm Of More . |
| i. Withstand Voltage (Hi-Pot)        | AC 2500V 60Hz 1 Minutes .    |
| j. Temperature Rise                  | Less Than 60 Deg C .         |
| k. Core Size                         | EI-35 x 13.00 m/m .          |

#### l. Turns & Wire Gauge

Primary-1	Pin 1-2	2660	Turns Diameter	0.08 mm
Primary-2	Pin 3-4	2660	Turns Diameter	0.08 mm
Secondary	Pin 5-7-8	430 x 2	Turns Diameter	0.18 mm



**RoHS Compliant**

NOTE : Specifications subject to change without notice. Please check our website for latest information.

25.02.2008



**SUPERWORLD ELECTRONICS (S) PTE LTD**

PG. 1