

ACX Series • High Accuracy Current Transformers

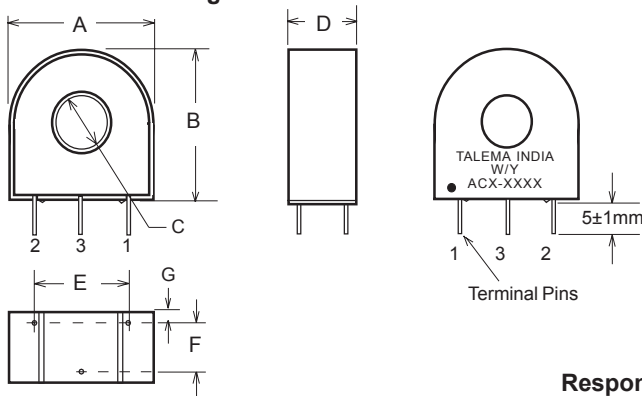
Features

- Primary current range 50-150A
 - 1% accuracy
 - Operating frequency 50/60Hz
 - Turns Ratio 2500 : 1
 - Rated burden resistance 33 Ohms
 - Dielectric withstand voltage 4KVrms
 - Operating temperature range -40 to +85°C
 - All Materials UL94V-0
- Manufactured in an ISO 9001:2008, ISO/TS 16949:2009 and ISO 14001:2004 certified Talema facility
 - Fully RoHS & REACH Compliant

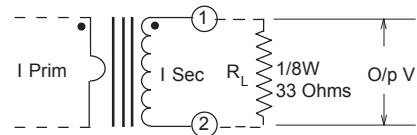


Electrical Specifications @ 20°C			Dimensions							
Part No.	Current Rating in Amps	Winding Resistance in Ohms	A	B	C	D	E	F	G	Pin Ø
ACX-1050	50	171	23.80	23.80	Ø9.50	11.12	15.24	7.62	1.75	Ø0.813
ACX-1075	75	227	30.20	30.20	Ø11.40	14.30	20.32	10.16	2.08	Ø1.016
ACX-1100	100	155	34.90	34.90	Ø14.60	14.30	25.40	10.16	2.08	Ø1.016
ACX-1150	150	135	38.10	38.10	Ø14.60	15.90	33.00	10.16	2.85	Ø1.016

Mechanical Drawing



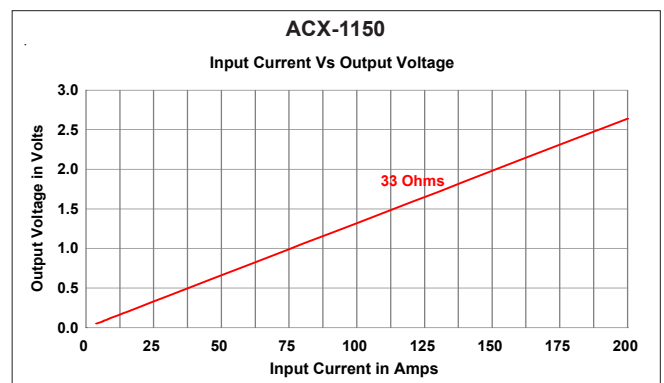
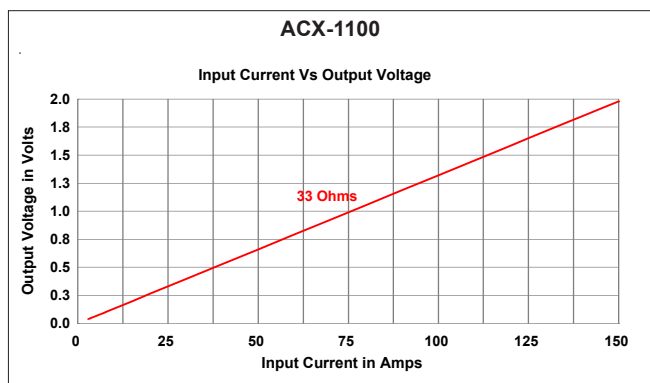
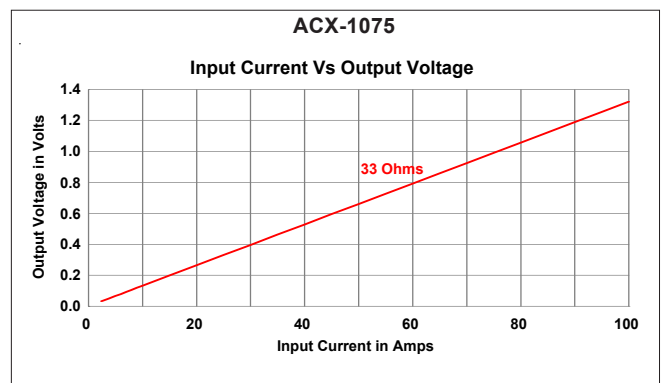
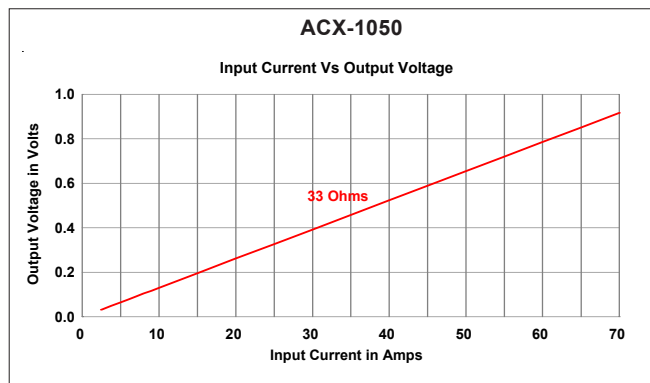
Schematic



Notes:

- 1) Dimensional Unit: mm, Tolerance: ±0.25mm (Unless Specified)
Pin Pitch Tolerance: ±0.10mm
- 2) Pin #3 for Mechanical Support.

Response Curves



Regional Locations - Design, Manufacturing, Sales & Marketing
Talema Group Regional Offices
North America
**United States
(Sales & Marketing)**

Talema Group, LLC
 PO Box 935
 900 Innovation Drive
 Suite 120, Rolla
 Missouri 65402
 Tel: +1 573-303-3675
 E-Mail:
 sales@talemagroup.com
 Web: www.talema.com

Asia
**India
(Design, Manufacturing, Sales & Marketing)**

Administrative Office
Talema Electronic India Private Limited
 Door No. 221, 1st and 2nd Floor
 KJ Plaza, Opp.to Vidya Mandir School
 Meyanur Main Road
 Salem - 636 004 Tamil Nadu INDIA.
 Tel: +91 427 - 243 3100
 Fax: +91 427 - 243 3109
 E-Mail: talema@talemaindia.net
 Web: www.talema.com

Factory Premises
Talema Electronic India Private Limited
 No. 31 & 31, Electronic Industrial Estate
 Suramangalam Post
 Salem - 636 005 Tamil Nadu INDIA
 Tel: +91 427 - 243 3000
 E-Mail: talema@talemaindia.net
 Web: www.talema.com

Europe
**Germany
(Design, Sales & Marketing)**

Talema Elektronik GmbH
 Sembdnerstr. 5
 82110 Germering
 Tel: +49 89 - 841 00 - 0
 Fax: +49 89 - 841 00 25
 E-Mail: info@talema.de
 Web: www.talema.com

**Ireland
(Design, Sales & Marketing)**

Nuvotem TEO
 Units W & X, Gweedore Business Park
 Derrybeg, Letterkenny, Co. Donegal
 Tel: +353 (0) 74 95 48666
 Fax: +353 (0) 74 95 48139
 E-Mail: info@nuvotem.com
 Web: www.nuvotem.com

**Czech Republic
(Design, Manufacturing, Sales & Marketing)**

NT Magnetics s.r.o.
 Chebská 27
 322 00 Plzeň
 Tel: +420 377 - 338 351
 Fax: +420 377 - 338 350
 E-Mail: talema@talema.cz
 Web: www.ntmagnetics.cz

Locations of Talema Group Regional Offices
