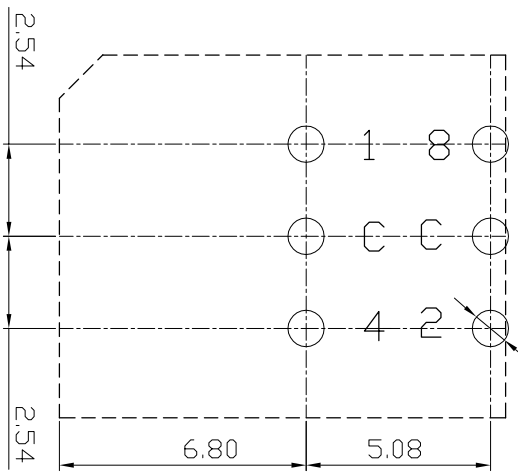
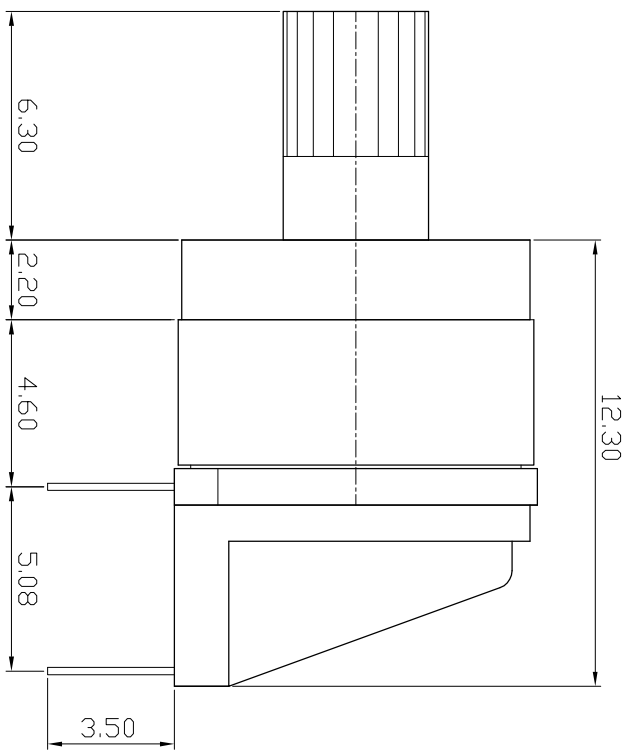
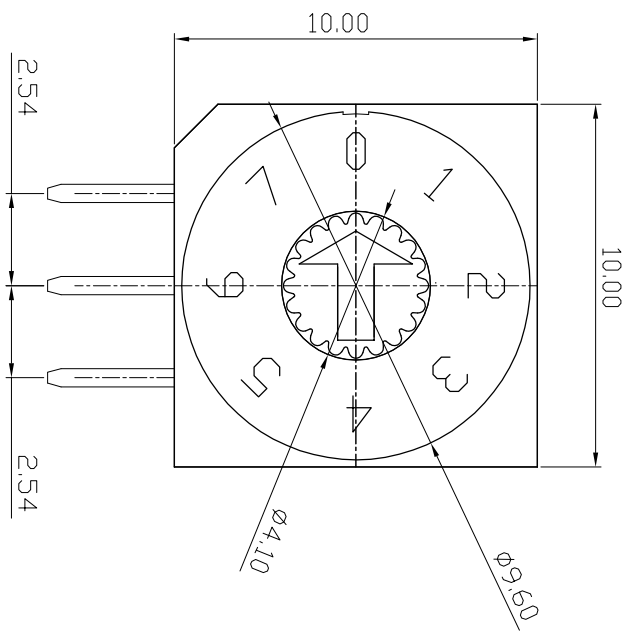


MARK	DATE	REMARKS
△		
△		



P.C.B. DIMENSION

SPECIFICATION

1. Rating : 150mA, 42V DC (Switching)
200mA, 42V DC (None-Switching)
2. Contact Resistance : 80mΩ Max
3. Insulation Resistance : 100MΩ Min
4. Operating Force : 700gf Max
5. Life cycle : 10,000 steps

Position	Real Coded			
	C	1	2	4
8	●			
1	●	●		
2	●		●	
3	●	●	●	
4	●			●
5	●	●		●
6	●			●
7	●	●	●	●

APPD	CHKD	D'SGD	TITLE	ROTARY DIP SWITCH
K.L LEE	J.P ROH	W.J LEE	MODEL NO.	
			TSR-08H	REV
			SUNGMUN ELECTRONICS CO., LTD.	A