

Digitally Controlled Potentiometer (XDCP™)

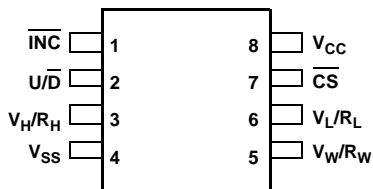
The X9C102, X9C103, X9C104, X9C503 are Intersil's digitally controlled (XDCP) potentiometers. The device consists of a resistor array, wiper switches, a control section, and non-volatile memory. The wiper position is controlled by a three-wire interface.

The potentiometer is implemented by a resistor array composed of 99 resistive elements and a wiper switching network. Between each element and at either end are tap points accessible to the wiper terminal. The position of the wiper element is controlled by the \overline{CS} , U/\overline{D} , and \overline{INC} inputs. The position of the wiper can be stored in non-volatile memory and then be recalled upon a subsequent power-up operation.

The device can be used as a three-terminal potentiometer or as a two-terminal variable resistor in a wide variety of applications ranging from control to signal processing to parameter adjustment.

Pinout

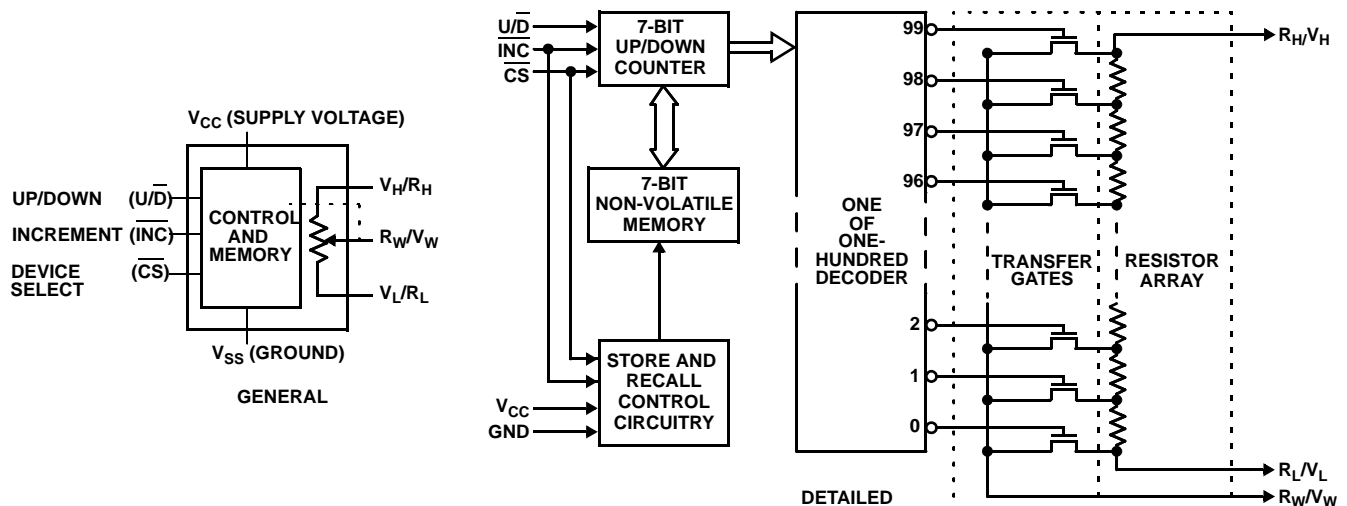
X9C102, X9C103, X9C104, X9C503
(8 LD SOIC, 8 LD PDIP)
TOP VIEW



Features

- Solid-State Potentiometer
- Three-Wire Serial Interface
- 100 Wiper Tap Points
 - Wiper Position Stored in Non-volatile Memory and Recalled on Power-up
- 99 Resistive Elements
 - Temperature Compensated
 - End-to-End Resistance, $\pm 20\%$
 - Terminal Voltages, $\pm 5V$
- Low Power CMOS
 - $V_{CC} = 5V$
 - Active Current, 3mA max.
 - Standby Current, 750 μA max.
- High Reliability
 - Endurance, 100,000 Data Changes per Bit
 - Register Data Retention, 100 years
- X9C102 = 1k Ω
- X9C103 = 10k Ω
- X9C503 = 50k Ω
- X9C104 = 100k Ω
- Packages
 - 8 Ld SOIC
 - 8 Ld PDIP
- Pb-Free Available (RoHS Compliant)

Block Diagram



X9C102, X9C103, X9C104, X9C503

Ordering Information

| PART NUMBER | PART MARKING | R _{TOTAL} (kΩ) | TEMP RANGE (°C) | PACKAGE | PACKAGE DWG. # |
|-------------------------|--------------|-------------------------|-----------------|---------------------|----------------|
| X9C102P | X9C102P | 1 | 0 to +70 | 8 Ld PDIP | MDP0031 |
| X9C102PZ (Notes 1, 2) | X9C102P Z | | 0 to +70 | 8 Ld PDIP (Pb-free) | MDP0031 |
| X9C102PI | X9C102P I | | -40 to +85 | 8 Ld PDIP | MDP0031 |
| X9C102PIZ (Notes 1, 2) | X9C102P ZI | | -40 to +85 | 8 Ld PDIP (Pb-free) | MDP0031 |
| X9C102S*, ** | X9C102S | | 0 to +70 | 8 Ld SOIC | MDP0027 |
| X9C102SZ* (Note 1) | X9C102S Z | | 0 to +70 | 8 Ld SOIC (Pb-free) | MDP0027 |
| X9C102SI*, ** | X9C102S I | | -40 to +85 | 8 Ld SOIC | MDP0027 |
| X9C102SIZ*, ** (Note 1) | X9C102S ZI | | -40 to +85 | 8 Ld SOIC (Pb-free) | MDP0027 |
| X9C103P | X9C103P | 10 | 0 to +70 | 8 Ld PDIP | MDP0031 |
| X9C103PZ (Notes 1, 2) | X9C103P Z | | 0 to +70 | 8 Ld PDIP (Pb-free) | MDP0031 |
| X9C103PI | X9C103P I | | -40 to +85 | 8 Ld PDIP | MDP0031 |
| X9C103PIZ (Note 1) | X9C103P ZI | | -40 to +85 | 8 Ld PDIP (Pb-free) | MDP0031 |
| X9C103S*, ** | X9C103S | | 0 to +70 | 8 Ld SOIC | MDP0027 |
| X9C103SZ*, ** (Note 1) | X9C103S Z | | 0 to +70 | 8 Ld SOIC (Pb-free) | MDP0027 |
| X9C103SI*, ** | X9C103S I | | -40 to +85 | 8 Ld SOIC | MDP0027 |
| X9C103SIZ*, ** (Note 1) | X9C103S ZI | | -40 to +85 | 8 Ld SOIC (Pb-free) | MDP0027 |
| X9C503P | X9C503P | 50 | 0 to +70 | 8 Ld PDIP | MDP0031 |
| X9C503PZ (Notes 1, 2) | X9C503P Z | | 0 to +70 | 8 Ld PDIP (Pb-free) | MDP0031 |
| X9C503PI | X9C503P I | | -40 to +85 | 8 Ld PDIP | MDP0031 |
| X9C503PIZ (Notes 1, 2) | X9C503P ZI | | -40 to +85 | 8 Ld PDIP (Pb-free) | MDP0031 |
| X9C503S* | X9C503S | | 0 to +70 | 8 Ld SOIC | MDP0027 |
| X9C503SZ* (Note 1) | X9C503S Z | | 0 to +70 | 8 Ld SOIC (Pb-free) | MDP0027 |
| X9C503SI*, ** | X9C503S I | | -40 to +85 | 8 Ld SOIC | MDP0027 |
| X9C503SIZ*, ** (Note 1) | X9C503S ZI | | -40 to +85 | 8 Ld SOIC (Pb-free) | MDP0027 |
| X9C104P | X9C104P | 100 | 0 to +70 | 8 Ld PDIP | MDP0031 |
| X9C104PI | X9C104P I | | -40 to +85 | 8 Ld PDIP | MDP0031 |
| X9C104PIZ (Notes 1, 2) | X9C104P ZI | | -40 to +85 | 8 Ld PDIP (Pb-free) | MDP0031 |
| X9C104S*, ** | X9C104S | | 0 to +70 | 8 Ld SOIC | MDP0027 |
| X9C104SZ*, ** (Note 1) | X9C104S Z | | 0 to +70 | 8 Ld SOIC (Pb-free) | MDP0027 |
| X9C104SI*, ** | X9C104S I | | -40 to +85 | 8 Ld SOIC | MDP0027 |
| X9C104SIZ*, ** (Note 1) | X9C104S ZI | | -40 to +85 | 8 Ld SOIC (Pb-free) | MDP0027 |

*Add "T1" suffix for tape and reel. Please refer to TB347 for details on reel specifications.

**Add "T2" suffix for tape and reel. Please refer to TB347 for details on reel specifications.

NOTES:

1. These Intersil Pb-free plastic packaged products employ special Pb-free material sets, molding compounds/die attach materials, and 100% matte tin plate plus anneal (e3 termination finish, which is RoHS compliant and compatible with both SnPb and Pb-free soldering operations). Intersil Pb-free products are MSL classified at Pb-free peak reflow temperatures that meet or exceed the Pb-free requirements of IPC/JEDEC J STD-020.
2. Pb-free PDIPs can be used for through-hole wave solder processing only. They are not intended for use in Reflow solder processing applications.

Pin Descriptions

| PIN NUMBER | PIN NAME | DESCRIPTION |
|-------------------|---------------------------------------|--|
| 1 | $\overline{\text{INC}}$ | INCREMENT The $\overline{\text{INC}}$ input is negative-edge triggered. Toggling $\overline{\text{INC}}$ will move the wiper and either increment or decrement the counter in the direction indicated by the logic level on the $\text{U}/\overline{\text{D}}$ input. |
| 2 | $\text{U}/\overline{\text{D}}$ | UP/DOWN The $\text{U}/\overline{\text{D}}$ input controls the direction of the wiper movement and whether the counter is incremented or decremented. |
| 3 | $\text{V}_\text{H}/\text{R}_\text{H}$ | $\text{V}_\text{H}/\text{R}_\text{H}$ The high ($\text{V}_\text{H}/\text{R}_\text{H}$) terminals of the X9C102, X9C103, X9C104, X9C503 are equivalent to the fixed terminals of a mechanical potentiometer. The minimum voltage is -5V and the maximum is +5V. The terminology of $\text{V}_\text{H}/\text{R}_\text{H}$ and $\text{V}_\text{L}/\text{R}_\text{L}$ references the relative position of the terminal in relation to wiper movement direction selected by the $\text{U}/\overline{\text{D}}$ input and not the voltage potential on the terminal. |
| 4 | V_SS | V_SS |
| 5 | $\text{V}_\text{W}/\text{R}_\text{W}$ | $\text{V}_\text{W}/\text{R}_\text{W}$ $\text{V}_\text{W}/\text{R}_\text{W}$ is the wiper terminal and is equivalent to the movable terminal of a mechanical potentiometer. The position of the wiper within the array is determined by the control inputs. The wiper terminal series resistance is typically 40Ω. |
| 6 | $\text{R}_\text{L}/\text{V}_\text{L}$ | $\text{R}_\text{L}/\text{V}_\text{L}$ The low ($\text{V}_\text{L}/\text{R}_\text{L}$) terminals of the X9C102, X9C103, X9C104, X9C503 are equivalent to the fixed terminals of a mechanical potentiometer. The minimum voltage is -5V and the maximum is +5V. The terminology of $\text{V}_\text{H}/\text{R}_\text{H}$ and $\text{V}_\text{L}/\text{R}_\text{L}$ references the relative position of the terminal in relation to wiper movement direction selected by the $\text{U}/\overline{\text{D}}$ input and not the voltage potential on the terminal. |
| 7 | $\overline{\text{CS}}$ | $\overline{\text{CS}}$ The device is selected when the $\overline{\text{CS}}$ input is LOW. The current counter value is stored in non-volatile memory when $\overline{\text{CS}}$ is returned HIGH while the $\overline{\text{INC}}$ input is also HIGH. After the store operation is complete the X9C102, X9C103, X9C104, X9C503 device will be placed in the low power standby mode until the device is selected once again. |
| 8 | V_CC | V_CC |

X9C102, X9C103, X9C104, X9C503

Absolute Maximum Ratings

| | |
|--|------------|
| Voltage on \overline{CS} , \overline{INC} , U/\overline{D} and V_{CC} with Respect to V_{SS} . | -1V to +7V |
| Voltage on V_H/R_H and V_L/R_L Referenced to V_{SS} . | -8V to +8V |
| $\Delta V = V_H/R_H - V_L/R_L $ | |
| X9C102 | .4V |
| X9C103, X9C104, and X9C503 | .10V |
| I_W (10s) | 8.8mA |
| Power Rating | |
| X9C102 | 16mW |
| X9C103 X0C104, and X9C503 | 10mW |

Thermal Information

| | |
|--|---|
| Temperature Under Bias | -65°C to +135°C |
| Storage Temperature | -65°C to +150°C |
| Pb-Free Reflow Profile | see link below http://www.intersil.com/pbfree/Pb-FreeReflow.asp |
| *Pb-free PDIPs can be used for through-hole wave solder processing only. They are not intended for use in Reflow solder processing applications. | |

Recommended Operating Conditions

| | |
|-----------------------------------|----------------|
| Commercial Temperature Range | 0°C to +70°C |
| Industrial Temperature Range | -40°C to +85°C |
| Supply Voltage Range (V_{CC}) | 5V \pm 10% |

CAUTION: Do not operate at or near the maximum ratings listed for extended periods of time. Exposure to such conditions may adversely impact product reliability and result in failures not covered by warranty.

Electrical Specifications Over recommended operating conditions unless otherwise stated.

| SYMBOL | PARAMETER | TEST CONDITIONS | LIMITS | | | UNIT |
|--------------------------------------|--|---|--------|--------------|--------------------|-------------------|
| | | | MIN | TYP (Note 6) | MAX | |
| POTENTIOMETER CHARACTERISTICS | | | | | | |
| R_{TOTAL} | End-to-End Resistance Variation | | -20 | | +20 | % |
| $V_{VH/RH}$ | V_H Terminal Voltage | | -5 | | +5 | V |
| $V_{VL/RL}$ | V_L Terminal Voltage | | -5 | | +5 | V |
| I_W | Wiper Current | | -4.4 | | 4.4 | mA |
| R_W | Wiper Resistance | Wiper Current = \pm 1mA | | 40 | 100 | Ω |
| | Resistor Noise (Note 7) | Ref 1kHz | | -120 | | dBV |
| | Charge Pump Noise (Note 7) | @ 850kHz | | 20 | | mV _{RMS} |
| | Resolution | | | 1 | | % |
| | Absolute Linearity (Note 3) | $V_{W(n)(actual)} - V_{W(n)(EXPECTED)}$ | | -1 | +1 | MI (Note 5) |
| | Relative Linearity (Note 4) | $V_{W(n+1)(ACTUAL)} - [V_{W(n)} + MI]$ | | -0.2 | +0.2 | MI (Note 5) |
| | R_{TOTAL} Temperature Coefficient | X9C103, X9C503, X9C104 | | | \pm 300 (Note 7) | ppm/°C |
| | R_{TOTAL} Temperature Coefficient | X9C102 | | | \pm 600 (Note 7) | ppm/°C |
| | Ratiometric Temperature Coefficient | | | \pm 20 | ppm/°C | |
| $C_H/C_L/C_W$ (Note 7) | Potentiometer Capacitances | See "Circuit #3 SPICE Macro Model" on page 5. | | 10/10/25 | | pF |
| DC OPERATING CHARACTERISTICS | | | | | | |
| I_{CC} | V_{CC} Active Current | $\overline{CS} = V_{IL}$, $U/\overline{D} = V_{IL}$ or V_{IH} and $\overline{INC} = 0.4V$ to $2.4V$ at Max t_{CYC} | | 1 | 3 | mA |
| I_{SB} | Standby Supply Current | $\overline{CS} = V_{CC} - 0.3V$, U/\overline{D} and $\overline{INC} = V_{SS}$ or $V_{CC} - 0.3V$ | | 200 | 750 | μ A |
| I_{LI} | \overline{CS} , \overline{INC} , U/\overline{D} Input Leakage Current | $V_{IN} = V_{SS}$ to V_{CC} | | | \pm 10 | μ A |
| V_{IH} | \overline{CS} , \overline{INC} , U/\overline{D} input HIGH Voltage | | 2 | | | V |
| V_{IL} | \overline{CS} , \overline{INC} , U/\overline{D} input LOW Voltage | | | | 0.8 | V |
| C_{IN} | \overline{CS} , \overline{INC} , U/\overline{D} Input Capacitance (Note 7) | $V_{CC} = 5V$, $V_{IN} = V_{SS}$, $T_A = +25^\circ C$, $f = 1MHz$ | | 10 | | pF |

X9C102, X9C103, X9C104, X9C503

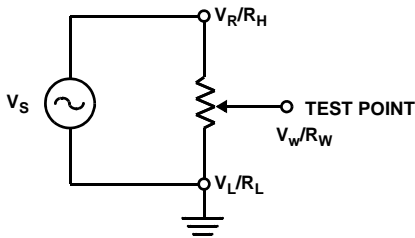
Electrical Specifications Over recommended operating conditions unless otherwise stated. (Continued)

| SYMBOL | PARAMETER | TEST CONDITIONS | LIMITS | | | UNIT |
|-------------------------------------|---|-----------------|--------|-----------------|-----|---------|
| | | | MIN | TYP (Note 6) | MAX | |
| AC OPERATION CHARACTERISTICS | | | | | | |
| t_{CI} | \overline{CS} to \overline{INC} Setup | | 100 | | | ns |
| t_{ID} | \overline{INC} HIGH to U/\overline{D} Change | | 100 | | | ns |
| t_{DI} | U/\overline{D} to \overline{INC} Setup | | 2.9 | | | μ s |
| t_{IL} | \overline{INC} LOW Period | | 1 | | | μ s |
| t_{IH} | \overline{INC} HIGH Period | | 1 | | | μ s |
| t_{IC} | \overline{INC} Inactive to \overline{CS} Inactive | | 1 | | | μ s |
| t_{CPH} | \overline{CS} Deselect Time (STORE) | | 20 | | | ms |
| t_{CPH} | \overline{CS} Deselect Time (NO STORE) | | 100 | | | ns |
| $t_{IW}^{(5)}$ | \overline{INC} to $V_{W/RW}$ Change | | | 100 | | μ s |
| t_{CYC} | \overline{INC} Cycle Time | | 2 | | | μ s |
| t_{CYC} | \overline{INC} Input Rise and Fall Time | | | | 500 | μ s |
| t_R, t_F | Power-up to Wiper Stable (Note 7) | | | 500 | | μ s |
| t_{PU} | V_{CC} Power-up Rate (Note 7) | | 0.2 | | 50 | V/ms |

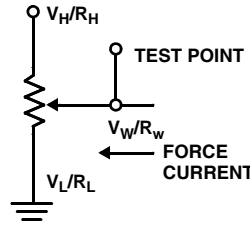
NOTES:

- Absolute linearity is utilized to determine actual wiper voltage vs expected voltage = $[V_{W(n)(actual)} - V_{W(n)(expected)}] = \pm 1$ MI Maximum.
- Relative linearity is a measure of the error in step size between taps = $V_{W(n+1)} - [V_{W(n)} + MI] = +0.2$ MI.
- 1 MI = Minimum Increment = $R_{TOT}/99$.
- Typical values are for $T_A = +25^\circ\text{C}$ and nominal supply voltage.
- This parameter is not 100% tested.

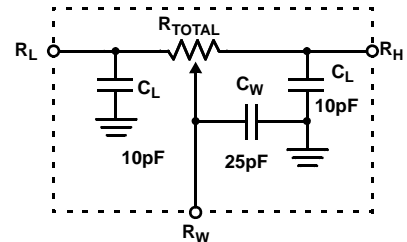
Test Circuit #1



Test Circuit #2



Circuit #3 SPICE Macro Model



Endurance and Data Retention

| PARAMETER | MIN | UNIT |
|------------------|---------|-----------------------------------|
| Medium Endurance | 100,000 | Data changes per bit per register |
| Data Retention | 100 | years |

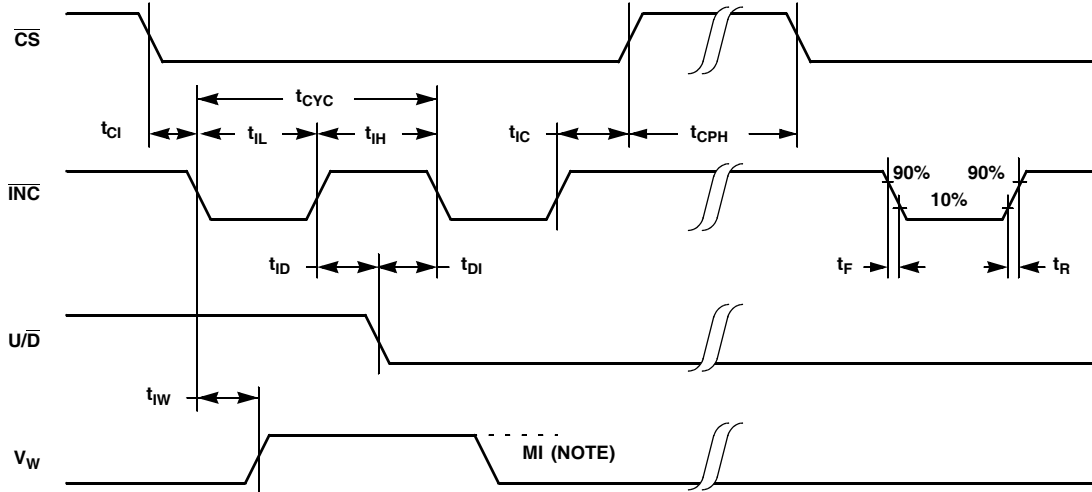
Power-up and Down Requirements

At all times, voltages on the potentiometer pins must be less than $\pm V_{CC}$. The recall of the wiper position from non-volatile memory is not in effect until the V_{CC} supply reaches its final value. The V_{CC} ramp rate specification is always in effect.

AC Conditions of Test

| | |
|---------------------------|----------|
| Input Pulse Levels | 0V to 3V |
| Input Rise and Fall Times | 10ns |
| Input Reference Levels | 1.5V |

AC Timing Diagram



NOTE: MI REFERS TO THE MINIMUM INCREMENTAL CHANGE IN THE V_w OUTPUT DUE TO A CHANGE IN THE WIPER POSITION.

Pin Descriptions

R_H/V_H and R_L/V_L

The high (V_H/R_H) and low (V_L/R_L) terminals of the ISLX9C102, X9C103, X9C104, X9C503 are equivalent to the fixed terminals of a mechanical potentiometer. The minimum voltage is -5V and the maximum is +5V. The terminology of V_H/R_H and V_L/R_L references the relative position of the terminal in relation to wiper movement direction selected by the U/\overline{D} input and not the voltage potential on the terminal.

R_W/V_W

V_W/R_W is the wiper terminal, and is equivalent to the movable terminal of a mechanical potentiometer. The position of the wiper within the array is determined by the control inputs. The wiper terminal series resistance is typically 40Ω.

Up/Down (U/\overline{D})

The U/\overline{D} input controls the direction of the wiper movement and whether the counter is incremented or decremented.

Increment (\overline{INC})

The \overline{INC} input is negative-edge triggered. Toggling \overline{INC} will move the wiper and either increment or decrement the counter in the direction indicated by the logic level on the U/\overline{D} input.

Chip Select (\overline{CS})

The device is selected when the \overline{CS} input is LOW. The current counter value is stored in non-volatile memory when \overline{CS} is returned HIGH while the \overline{INC} input is also HIGH. After the store operation is complete the ISLX9C102, X9C103, X9C104, X9C503 device will be placed in the low power standby mode until the device is selected once again.

Principles of Operation

There are three sections of the X9C102, X9C103, ISL9C104 and ISL9C503: the input control, counter and decode section; the non-volatile memory; and the resistor array. The input control section operates just like an up/down counter. The output of this counter is decoded to turn on a single electronic switch connecting a point on the resistor array to the wiper output. Under the proper conditions, the contents of the counter can be stored in non-volatile memory and retained for future use. The resistor array is comprised of 99 individual resistors connected in series. At either end of the array and between each resistor is an electronic switch that transfers the potential at that point to the wiper.

The wiper, when at either fixed terminal, acts like its mechanical equivalent and does not move beyond the last position. That is, the counter does not wrap around when clocked to either extreme.

The electronic switches on the device operate in a “make-before-break” mode when the wiper changes tap positions. If the wiper is moved several positions, multiple taps are connected to the wiper for t_{W} (\overline{INC} to V_W/R_W change). The R_{TOTAL} value for the device can temporarily be reduced by a significant amount if the wiper is moved several positions.

When the device is powered-down, the last wiper position stored will be maintained in the non-volatile memory. When power is restored, the contents of the memory are recalled and the wiper is reset to the value last stored.

The internal charge pump allows a wide range of voltages (from -5V to 5V) applied to XDCP terminals yet given a convenience of single power supply. The typical charge pump noise of 20mV at 850kHz should be taken in consideration when designing an application circuit.

Instructions and Programming

The $\overline{\text{INC}}$, $\overline{\text{U/D}}$ and $\overline{\text{CS}}$ inputs control the movement of the wiper along the resistor array. With $\overline{\text{CS}}$ set LOW, the device is selected and enabled to respond to the $\overline{\text{U/D}}$ and $\overline{\text{INC}}$ inputs. HIGH to LOW transitions on $\overline{\text{INC}}$ will increment or decrement (depending on the state of the $\overline{\text{U/D}}$ input) a 7-bit counter. The output of this counter is decoded to select one of one-hundred wiper positions along the resistive array.

The value of the counter is stored in non-volatile memory whenever $\overline{\text{CS}}$ transitions HIGH while the $\overline{\text{INC}}$ input is also HIGH.

The system may select the X9Cxxx, move the wiper and deselect the device without having to store the latest wiper position in non-volatile memory. After the wiper movement is performed as previously described and once the new position is reached, the system must keep $\overline{\text{INC}}$ LOW while taking $\overline{\text{CS}}$ HIGH. The new wiper position will be maintained until changed by the system or until a power-down/up cycle recalled the previously stored data.

This procedure allows the system to always power-up to a pre-set value stored in non-volatile memory; then during system operation, minor adjustments could be made. The adjustments might be based on user preference, i.e.: system parameter changes due to temperature drift, etc.

The state of $\overline{\text{U/D}}$ may be changed while $\overline{\text{CS}}$ remains LOW. This allows the host system to enable the device and then move the wiper up and down until the proper trim is attained.

Mode Selection

| $\overline{\text{CS}}$ | $\overline{\text{INC}}$ | $\overline{\text{U/D}}$ | MODE |
|------------------------|-------------------------|-------------------------|------------------------------|
| L | | H | Wiper Up |
| L | | L | Wiper Down |
| | H | X | Store Wiper Position |
| H | X | X | Standby Current |
| | L | X | No Store, Return to Standby |
| | L | H | Wiper Up (not recommended) |
| | L | L | Wiper Down (not recommended) |

Symbol Table

| WAVEFORM | INPUTS | OUTPUTS |
|----------|-----------------------------|-------------------------------|
| | Must be steady | Will be steady |
| | May change from Low to High | Will change from Low to High |
| | May change from High to Low | Will change from High to Low |
| | Don't Care: Changes Allowed | Changing: State Not Known |
| | N/A | Center Line is High Impedance |

Performance Characteristics

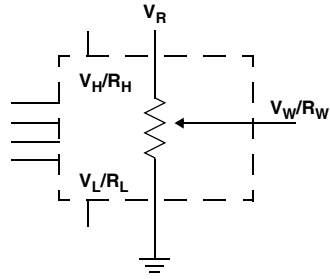
Contact the factory for more information.

Applications Information

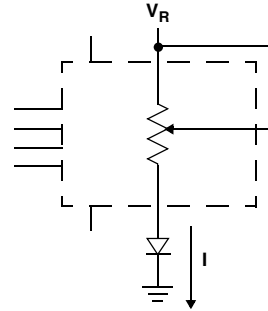
Electronic digitally controlled (XCDP) potentiometers provide three powerful application advantages:

1. The variability and reliability of a solid-state potentiometer.
2. The flexibility of computer-based digital controls.
3. The retentivity of non-volatile memory used for the storage of multiple potentiometer settings or data.

Basic Configurations of Electronic Potentiometers

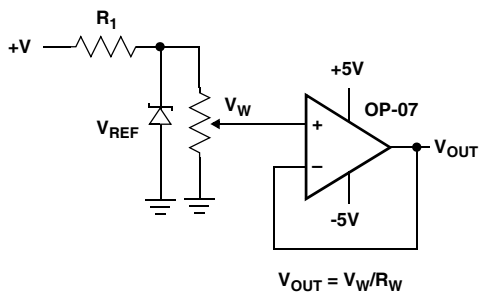


THREE TERMINAL POTENTIOMETER;
VARIABLE VOLTAGE DIVIDER

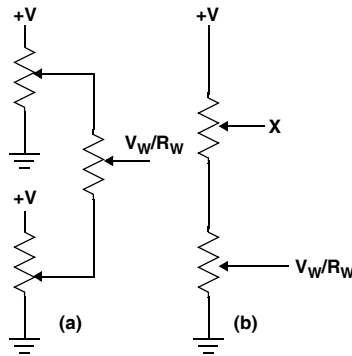


TWO TERMINAL VARIABLE RESISTOR;
VARIABLE CURRENT

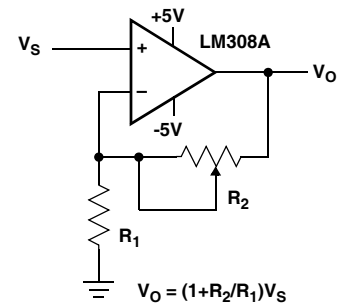
Basic Circuits



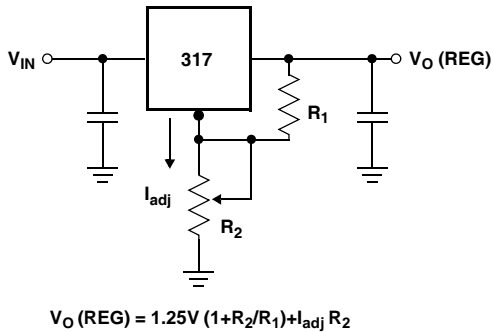
BUFFERED REFERENCE VOLTAGE



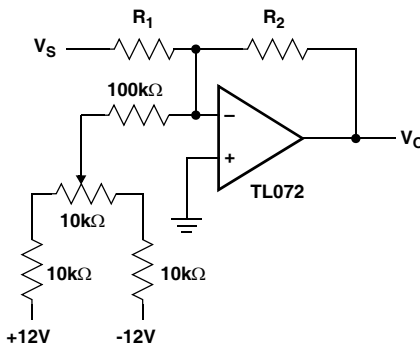
CASCADING TECHNIQUES



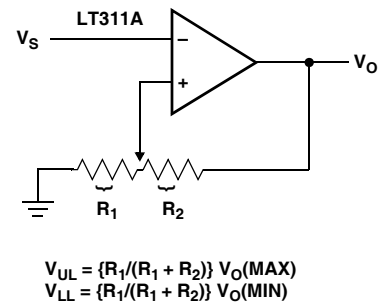
NONINVERTING AMPLIFIER



VOLTAGE REGULATOR



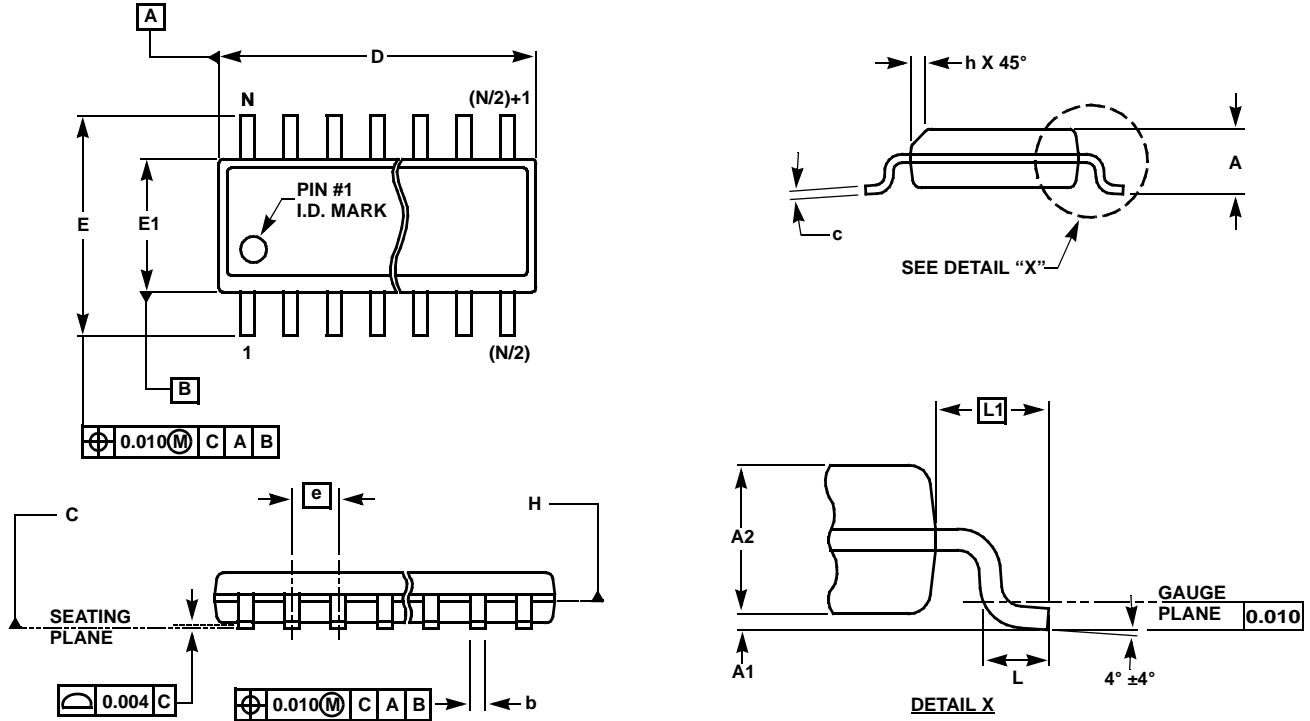
OFFSET VOLTAGE ADJUSTMENT



(FOR ADDITIONAL CIRCUITS SEE AN1145)

COMPARATOR WITH HYSTERESIS

Small Outline Package Family (SO)



MDP0027

SMALL OUTLINE PACKAGE FAMILY (SO)

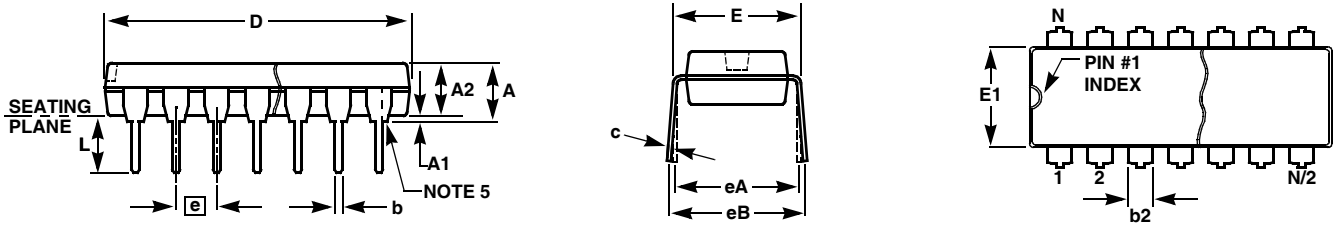
| SYMBOL | INCHES | | | | | | | TOLERANCE | NOTES |
|--------|--------|-------|---------------|------------------------|---------------|---------------|---------------|-------------|-------|
| | SO-8 | SO-14 | SO16 (0.150") | SO16 (0.300") (SOL-16) | SO20 (SOL-20) | SO24 (SOL-24) | SO28 (SOL-28) | | |
| A | 0.068 | 0.068 | 0.068 | 0.104 | 0.104 | 0.104 | 0.104 | MAX | - |
| A1 | 0.006 | 0.006 | 0.006 | 0.007 | 0.007 | 0.007 | 0.007 | ± 0.003 | - |
| A2 | 0.057 | 0.057 | 0.057 | 0.092 | 0.092 | 0.092 | 0.092 | ± 0.002 | - |
| b | 0.017 | 0.017 | 0.017 | 0.017 | 0.017 | 0.017 | 0.017 | ± 0.003 | - |
| c | 0.009 | 0.009 | 0.009 | 0.011 | 0.011 | 0.011 | 0.011 | ± 0.001 | - |
| D | 0.193 | 0.341 | 0.390 | 0.406 | 0.504 | 0.606 | 0.704 | ± 0.004 | 1, 3 |
| E | 0.236 | 0.236 | 0.236 | 0.406 | 0.406 | 0.406 | 0.406 | ± 0.008 | - |
| E1 | 0.154 | 0.154 | 0.154 | 0.295 | 0.295 | 0.295 | 0.295 | ± 0.004 | 2, 3 |
| e | 0.050 | 0.050 | 0.050 | 0.050 | 0.050 | 0.050 | 0.050 | Basic | - |
| L | 0.025 | 0.025 | 0.025 | 0.030 | 0.030 | 0.030 | 0.030 | ± 0.009 | - |
| L1 | 0.041 | 0.041 | 0.041 | 0.056 | 0.056 | 0.056 | 0.056 | Basic | - |
| h | 0.013 | 0.013 | 0.013 | 0.020 | 0.020 | 0.020 | 0.020 | Reference | - |
| N | 8 | 14 | 16 | 16 | 20 | 24 | 28 | Reference | - |

Rev. M 2/07

NOTES:

1. Plastic or metal protrusions of 0.006" maximum per side are not included.
2. Plastic interlead protrusions of 0.010" maximum per side are not included.
3. Dimensions "D" and "E1" are measured at Datum Plane "H".
4. Dimensioning and tolerancing per ASME Y14.5M-1994

Plastic Dual-In-Line Packages (PDIP)



MDP0031

PLASTIC DUAL-IN-LINE PACKAGE

| SYMBOL | INCHES | | | | | TOLERANCE | NOTES |
|--------|--------|--------|--------|--------|--------|---------------|-------|
| | PDIP8 | PDIP14 | PDIP16 | PDIP18 | PDIP20 | | |
| A | 0.210 | 0.210 | 0.210 | 0.210 | 0.210 | MAX | |
| A1 | 0.015 | 0.015 | 0.015 | 0.015 | 0.015 | MIN | |
| A2 | 0.130 | 0.130 | 0.130 | 0.130 | 0.130 | ±0.005 | |
| b | 0.018 | 0.018 | 0.018 | 0.018 | 0.018 | ±0.002 | |
| b2 | 0.060 | 0.060 | 0.060 | 0.060 | 0.060 | +0.010/-0.015 | |
| c | 0.010 | 0.010 | 0.010 | 0.010 | 0.010 | +0.004/-0.002 | |
| D | 0.375 | 0.750 | 0.750 | 0.890 | 1.020 | ±0.010 | 1 |
| E | 0.310 | 0.310 | 0.310 | 0.310 | 0.310 | +0.015/-0.010 | |
| E1 | 0.250 | 0.250 | 0.250 | 0.250 | 0.250 | ±0.005 | 2 |
| e | 0.100 | 0.100 | 0.100 | 0.100 | 0.100 | Basic | |
| eA | 0.300 | 0.300 | 0.300 | 0.300 | 0.300 | Basic | |
| eB | 0.345 | 0.345 | 0.345 | 0.345 | 0.345 | ±0.025 | |
| L | 0.125 | 0.125 | 0.125 | 0.125 | 0.125 | ±0.010 | |
| N | 8 | 14 | 16 | 18 | 20 | Reference | |

Rev. C 2/07

NOTES:

1. Plastic or metal protrusions of 0.010" maximum per side are not included.
2. Plastic interlead protrusions of 0.010" maximum per side are not included.
3. Dimensions E and eA are measured with the leads constrained perpendicular to the seating plane.
4. Dimension eB is measured with the lead tips unconstrained.
5. 8 and 16 lead packages have half end-leads as shown.

All Intersil U.S. products are manufactured, assembled and tested utilizing ISO9000 quality systems.
Intersil Corporation's quality certifications can be viewed at www.intersil.com/design/quality

Intersil products are sold by description only. Intersil Corporation reserves the right to make changes in circuit design, software and/or specifications at any time without notice. Accordingly, the reader is cautioned to verify that data sheets are current before placing orders. Information furnished by Intersil is believed to be accurate and reliable. However, no responsibility is assumed by Intersil or its subsidiaries for its use; nor for any infringements of patents or other rights of third parties which may result from its use. No license is granted by implication or otherwise under any patent or patent rights of Intersil or its subsidiaries.

For information regarding Intersil Corporation and its products, see www.intersil.com