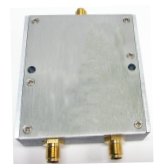


2 Way Power Divider

ABPDC-2-N-698-2700MHz

RoHS/ RoHS II compliant



89.0 x 54.0 x 26.0mm

MSL level: Not Applicable

FEATURES:

- 698-2700MHz Multi - Band Frequency Range
- 5 & 10 W Power Rating
- Low RF Insertion Loss
- Impedance: 50Ω
- Connectors: N(f)
- Housing : Aluminum

TYPICAL APPLICATIONS:

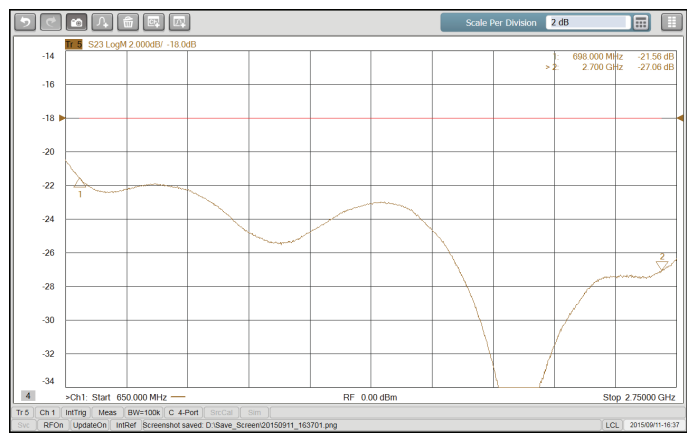
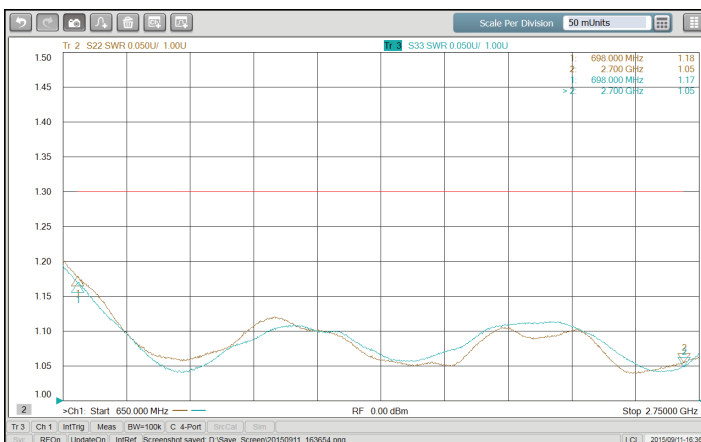
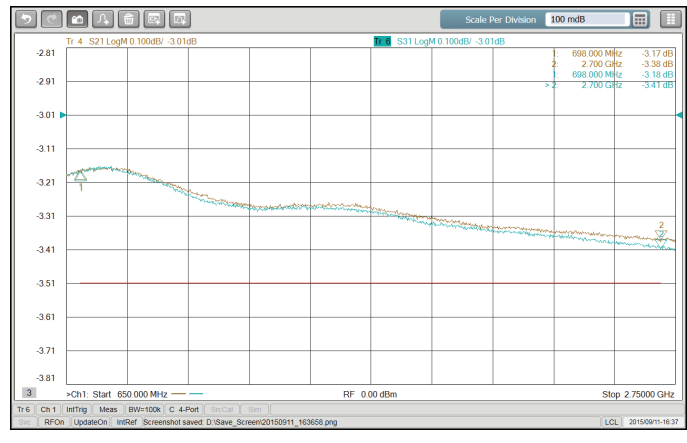
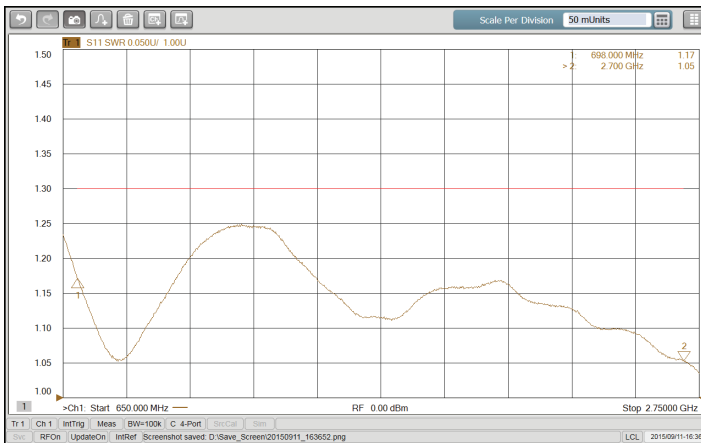
- Provides a signal sample for measurement or monitoring
- Combines feeds to and from antenna
- Antenna beam forming
- Multiband antennas and leaky cable systems such as UMTS or DAS connection

STANDARD SPECIFICATIONS:

Parameters	Min.	Typ.	Max.	Units	Note
Receiving Frequency Range	698		2700	MHz	
VSWR		1.25	1.3		
Insertion Loss			0.5	dB	(In addition to 3.01dB theoretical 2-way split loss.)
Output Isolation	18	20		dB	
Power Rating		10		W	
Operating Temperature	-40		+85	°C	

SAMPLE TEST PLOTS:

Port 1: IN, Port 2: OUT1, Port3: OUT2



ABRACON IS
ISO9001:2008
CERTIFIED

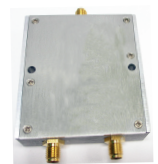


2 Faraday, Suite# B | Irvine | CA 92618 Revised: 12.04.15
Ph. 949.546.8000 | Fax. 949.546.8001
Visit www.abracon.com for Terms and Conditions of Sale

2 Way Power Divider

ABPDC-2-N-698-2700MHz

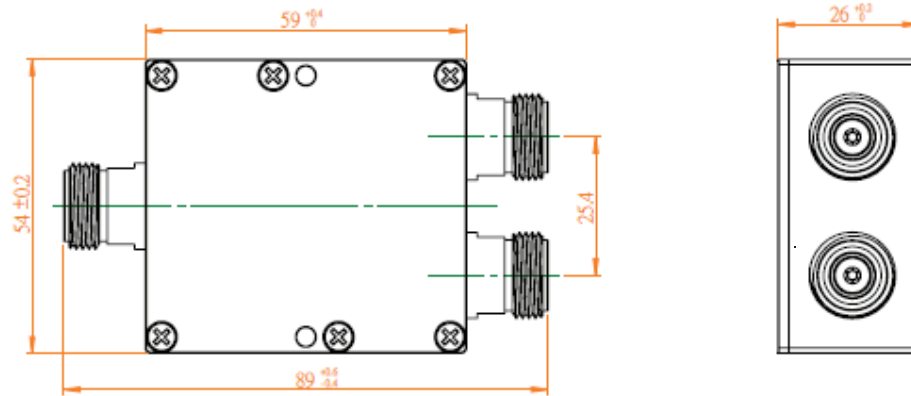
RoHS/ RoHS II compliant



89.0 x 54.0 x 26.0mm

MSL level: Not Applicable

OUTLINE DIMENSION:

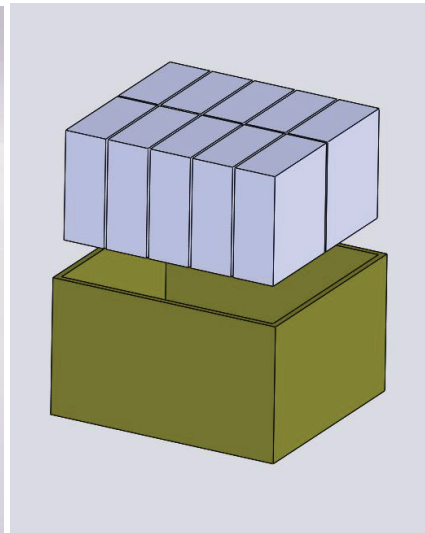


Item	Description
Number of outputs	2
RF Connector Type	N-Female
Weight	221.5g

Dimension: mm

PACKAGING:

Each part is individually wrapped in a 132 x 77 x 29mm flip-top box. Each 168 x 165 x 152mm outer box contains 10 flip-top boxes.



ATTENTION: Abracon Corporation's products are COTS – Commercial-Off-The-Shelf products; suitable for Commercial, Industrial and, where designated, Automotive Applications. Abracon's products are not specifically designed for Military, Aviation, Aerospace, Life-dependant Medical applications or any application requiring high reliability where component failure could result in loss of life and/or property. For applications requiring high reliability and/or presenting an extreme operating environment, written consent and authorization from Abracon Corporation is required. Please contact Abracon Corporation for more information.

ABRACON IS
ISO9001:2008
CERTIFIED



2 Faraday, Suite# B | Irvine | CA 92618 Revised: 12.04.15
Ph. 949.546.8000 | Fax. 949.546.8001
Visit www.abracon.com for Terms and Conditions of Sale