

6

5

4

3

2

1

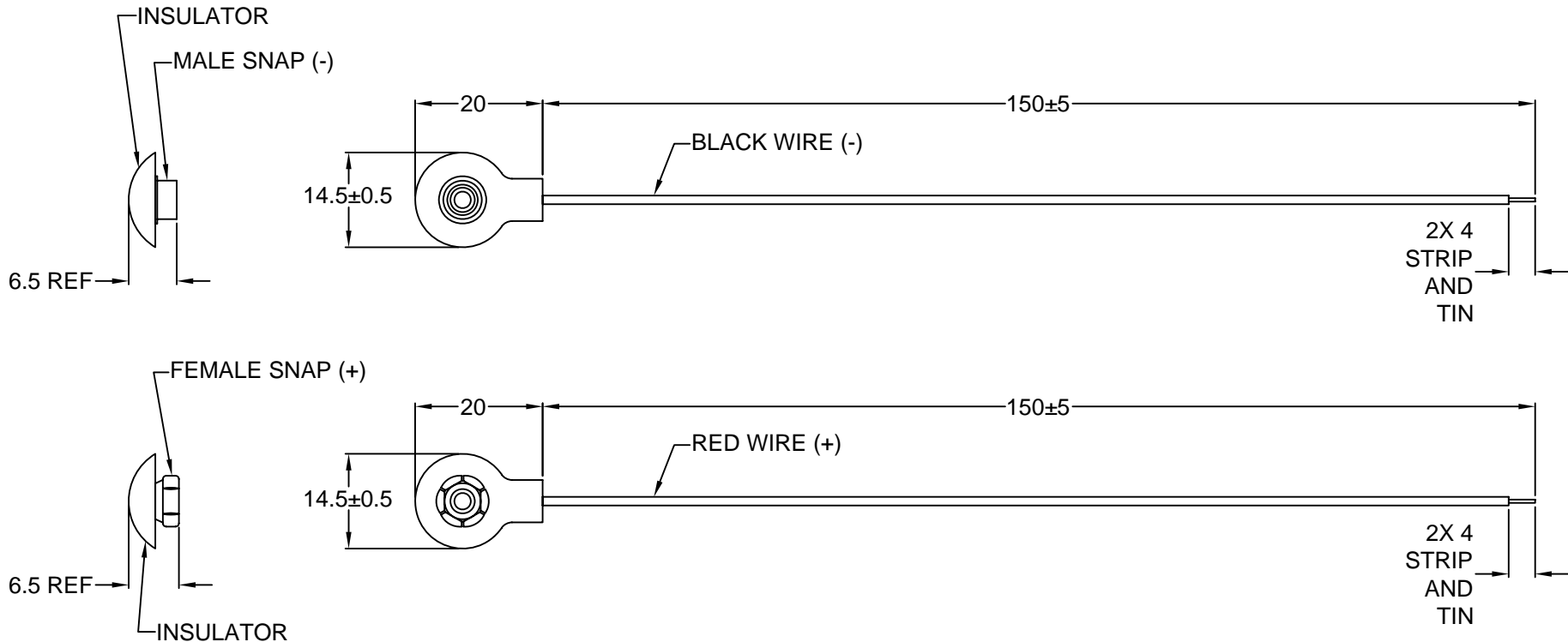
MATERIAL AND FINISH:

Insulator: PVC, black

Wire leads: PVC, 26 AWG

Snaps: Brass, Nickel plated

RoHS  
COMPLIANT



REV	DATE	CHANGE	CHNG	CHECK	APPR

TOLERANCE UNLESS OTHERWISE SPECIFIED		
X	±	1
X.X	±	0.4
X.XX	±	0.20
DRAWN BY	GQ	DATE: 06/11/02
CHECK BY	TD	DATE: 06/12/02
APPR BY	PB	DATE: 06/12/02

**Power Dynamics, Inc.**

Phone: 973 560-0019 Whippany, New Jersey Fax: 973 560-0076

PART: 9V BATTERY SNAP SET  
WITH PVC COVER

PART #: PDSN-9		SHEET 1 of 1
SIZE: A	ALL DIMENSIONS FOR REFERENCE ONLY DIMENSIONS ARE IN MILLIMETERS	REV:
SCALE: NTS		