

Series 805 Receptacles With PCB or Solder Cup Contacts



**Series 805 Jam Nut
PCB Receptacle Connector**

These receptacles feature a low profile shell for minimum protrusion inside enclosures. Contacts are non-removable. Connectors are backfilled with epoxy for a watertight seal.

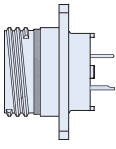
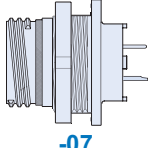
Two Shell Styles: jam nut with o-ring for rear panel mounting, or square flange.

PCB Contacts feature gold-plated tails for solder termination to rigid or flexible circuits.

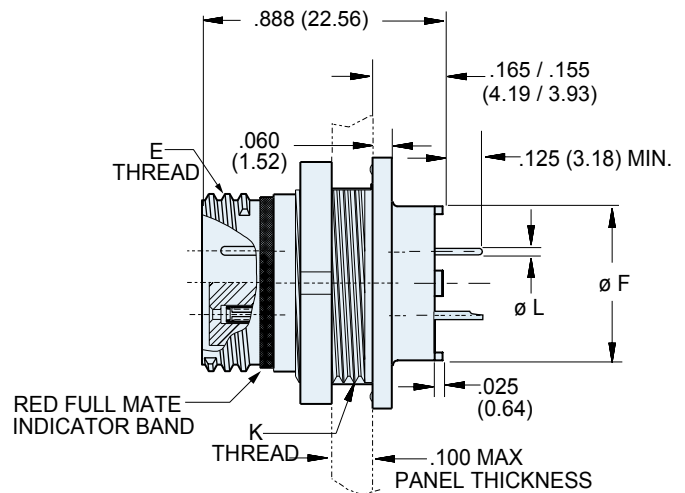
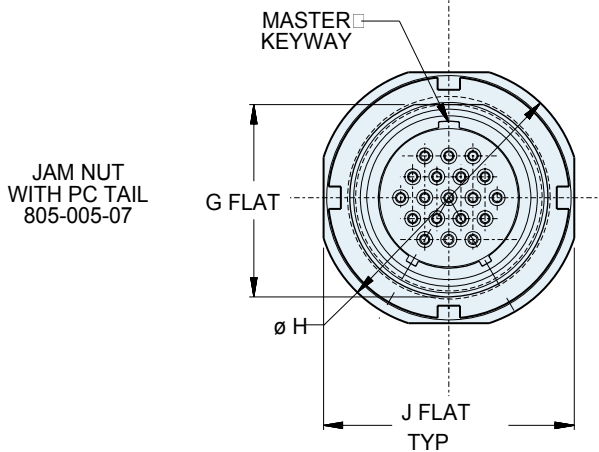
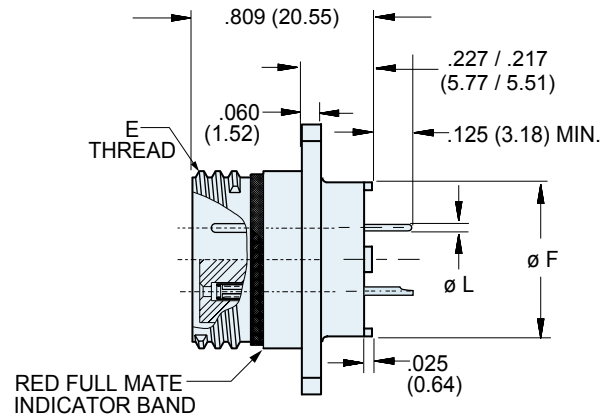
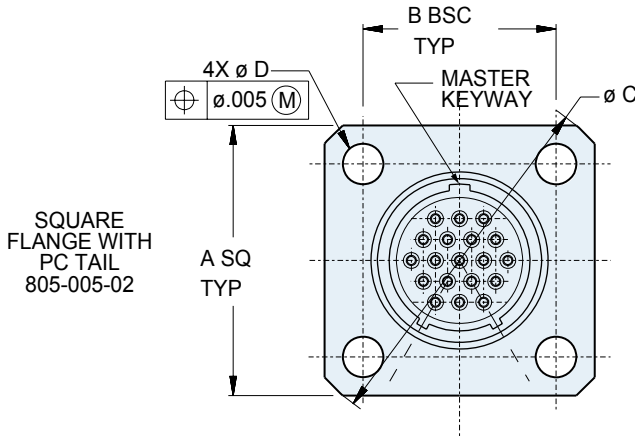
Solder Cup Contacts are factory-installed and fully sealed with epoxy.

HOW TO ORDER

Sample Part Number

805-005	-07	M	10-13	P	B
Series	Shell Style	Shell Material / Finish	Shell Size- Insert Arrangement	Contact Type	Shell Key Position
805-005 Receptacle, with Solder Cup or Printed Circuit Board Contacts	 -02 Square Flange	C Aluminum / Black Anodize	8-1 1 #16 Contact 8-4 4 #23 Contacts 8-7 7 #23 Contacts 9-1 1 #12 Contact 9-10 10 #23 Contacts 10-13 13 #23 Contacts 11-4 4 #16 Contacts 11-19 19 #23 Contacts 12-26 26 #23 Contacts 15-2 2 #12 Contacts 15-37 37 #23 Contacts 18-55 55 #23 Contacts 19-85 85 #23 Contacts	P Pin, PC Tail	A Position A (Normal)
		M Aluminum / Electroless Nickel	S Socket, PC Tail	B Position B	
		NF Aluminum / Cadmium with Olive Drab Chromate	E Pin, Solder Cup	C Position C	
		ZN Aluminum / Zinc-Nickel with Olive Drab Chromate	F Socket, Solder Cup	D Position D	
		ZNU Aluminum / Zinc-Nickel with Black Chromate			
	 -07 Jam Nut	Z1 Stainless Steel / Passivated			

Series 805 Receptacles With PCB or Solder Cup Contacts



DIMENSIONS

Shell Size	A		B		ØC		ØD		E Threads -3L-TS-2A	ØF		G		ØH		ØJ		K Threads UN-2A	ØL Tail Dia.
	In.	mm.	In.	mm.	In.	mm.	In.	mm.		In.	mm.	In.	mm.	In.	mm.	In.	mm.		
8	.850	21.59	.660	16.76	1.150	29.21	.094	2.39	.5000-.1P	.330	8.38	.535	13.59	.760	19.30	.730	18.54	.5625-28	#23
9	.913	23.19	.723	18.36	1.230	31.24	.094	2.39	.5625-.1P	.432	10.97	.661	16.79	.880	22.35	.850	21.59	.6875-28	.018/.022 (0.46/0.56)
10	.975	24.77	.785	19.94	1.330	33.78	.094	2.39	.6250-.1P	.493	12.52	.661	16.79	.880	22.35	.850	21.59	.6875-28	#16
11	1.039	26.39	.848	21.54	1.410	35.81	.094	2.39	.6875-.1P	.551	14.00	.721	18.31	.955	24.26	.925	23.50	.7500-28	.060/.064 (1.52/1.63)
12	1.099	27.91	.909	23.09	1.500	38.10	.094	2.39	.7500-.1P	.620	15.78	.784	19.91	1.060	26.92	1.035	26.29	.8125-28	#12
15	1.288	32.74	1.058	26.87	1.750	44.45	.128	3.25	.9375-.1P	.703	17.86	.970	24.64	1.203	30.56	1.173	29.79	1.0000-28	.092/.096 (2.34/2.44)
18	1.475	37.47	1.255	31.88	2.000	50.80	.128	3.25	1.1250-.1P	.863	21.92	1.147	29.13	1.389	35.28	1.359	34.52	1.1875-28	
19	1.537	71.06	1.327	33.71	2.094	53.19	.128	3.25	1.1875.1P	.912	23.16	1.221	31.01	1.450	36.83	1.420	36.07	1.2500-28	