

Operation: NANO-SIM SOCKETS & Push-Push 外焊式 带检测功能



LTEM NO.: SNO-1303-X (Consumer Electronics)

(13.7L × 12.3W × 1.4H & NANO-SIM Sockets)

MEMORY-CARD-SOCKETS



Technical parameter

表面贴装 SMT

PROJECT	LEVEL	A[better product]	B[average product]
		Contact Rating	
Electrical Properties	Initial Contact Resistance	50mΩ max.	80mΩ max.
	Insulation Resistance	100MΩ min. 500V DC	
	Withstand Voltage	500V AC for 1 minute	350 V AC for 1 minut
Durable Performance	There No Load	5,000 Cycles	3,500 Cycles
	Rated Load	3,500 Cycles	2,500 Cycles
	Storage temp.	-35℃~+75℃(Operating Temp:)	

側向操作 LATERAL

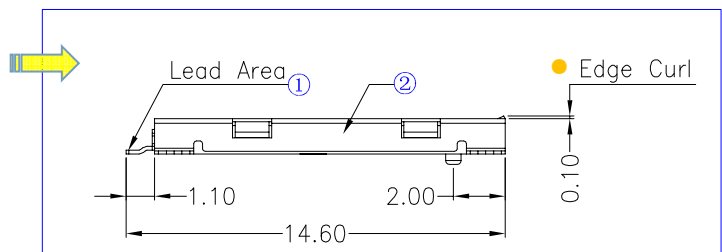
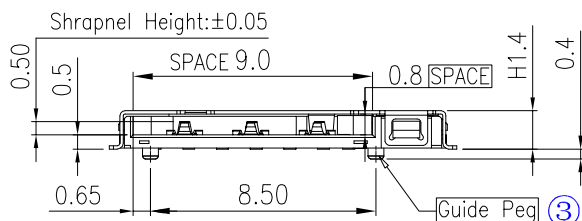
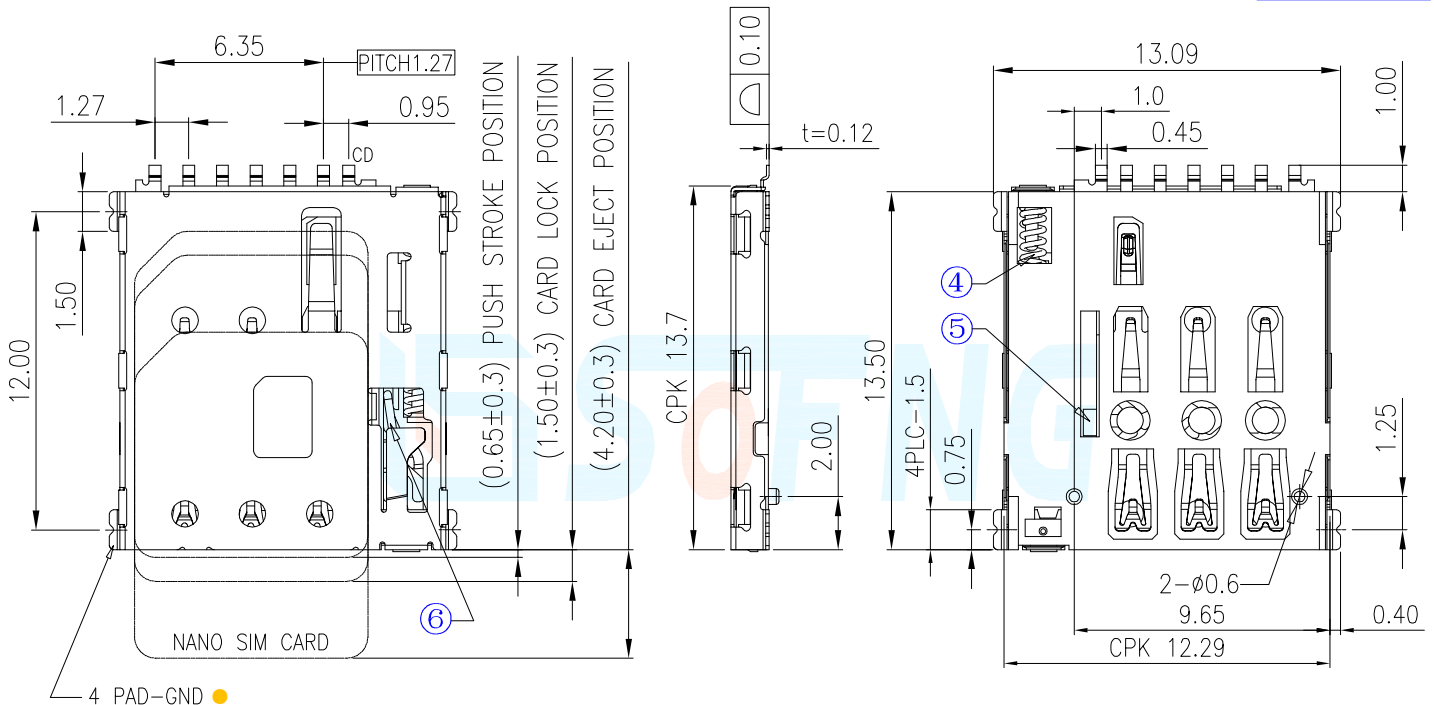
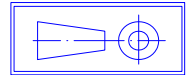
精密部品 NICETY

可靠 STABILIZE

適合環保 RoHS

Page1

Unit:mm



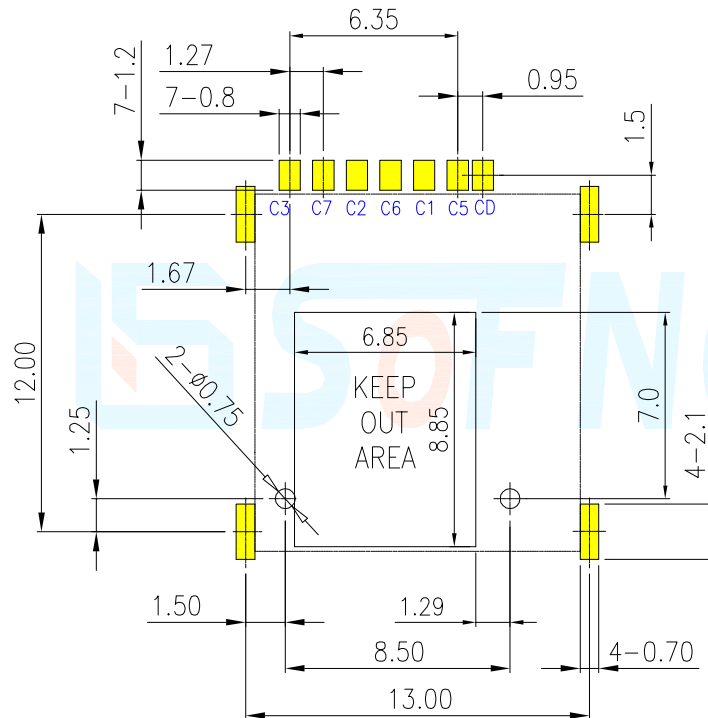
Operating Force

Inward 8.0~12.0N. (1N.=100gram-force)
 Exiting 5.0~7.0N. (1N.=100gram-force)

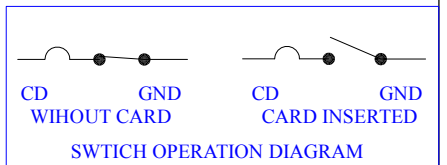
Solder-ability (Max.)

IR Reflow: 255°C, 5sec. Manual: 350°C, 3sec.

DECIMALS	ANGLES
.X :±0.20	X.° :±1.5°
.XX :±0.10	X.X° :±1.0°
.XXX :±0.05	.XXX° :±0.5°



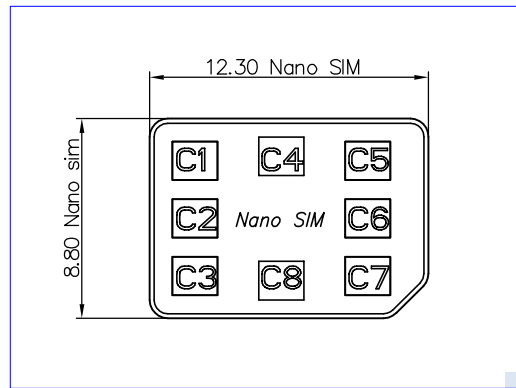
● ALL SMT SOLDER PAD



Pin definition

SIM CARD

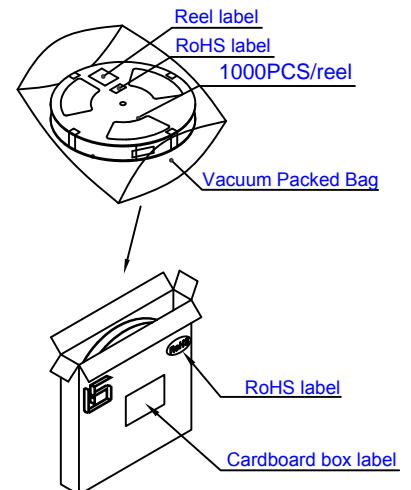
Pin No.	Pin NAME	Type	Description
C ①	卡電源	1	VCC
C ②	復位	1	RST
C ③	時鐘	1	CLK
C ⑤	接地	1	GND
C ⑥	Vpp	1	VPP
C ⑦	輸入/輸出	1	I/O
CD PIN	插卡检测	1	CARD DETECT



NANO-SIM

Material declaration

NAME	MATERIAL	PLATING
① 接触端子 Terminal	C5210-EH (t=0.15mm)磷铜【镍基 Ni50u" 镀金 1u"】	G/F
② 上盖 Cover	SUS304-H(t=0.12mm)不锈钢【GND 焊点镀金 1u"】	AU/Ni
③ 基座 Housing	LCP 耐热塑胶 (UL94V-0) BLACK	SET
④ 弹簧 Spring	SUS304-EH 不锈钢 OD=0.20mm	-
⑤ 滑块 Slider	LCP 耐热塑胶 (UL94V-0) BLACK	SET
⑥ 线型拉杆 Drag Link	SUS304-EH 不锈钢 OD=0.25mm	-



注記 NOTICE

1. 碩方公司擁有最終解釋權; The SOFNG company reserves the right of final interpretation;
2. 文件禁止外洩、轉載; Leaked and reproduced prohibited;
3. 未經授權修改無效。Modify is invalid.