



UTT200N03

Power MOSFET

**200A, 30V N-CHANNEL
POWER MOSFET**

■ DESCRIPTION

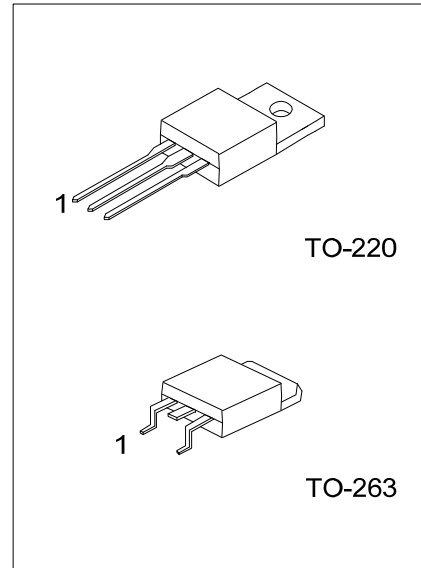
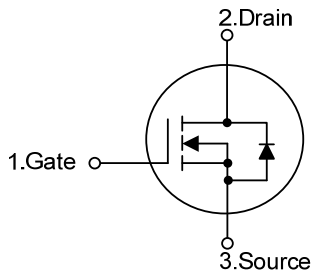
The UTC **UTT200N03** is a N-channel MOSFET using UTC's advanced technology to provide customers with a minimum on-state resistance and superior switching performance.

The UTC **UTT200N03** is generally applied in DC to DC convertor or synchronous rectification

■ FEATURES

- * Fast Switching
- * 100% Avalanche Tested
- * High Power and Current Handling Capability
- * RoHS Compliant

■ SYMBOL



■ ORDERING INFORMATION

Ordering Number		Package	Pin Assignment			Packing
Lead Free	Halogen Free		1	2	3	
UTT200N03L-TA3-T	UTT200N03G-TA3-T	TO-220	G	D	S	Tube
UTT200N03L-TQ2-T	UTT200N03G-TQ2-T	TO-263	G	D	S	Tube
UTT200N03L-TQ2-R	UTT200N03G-TQ2-R	TO-263	G	D	S	Tape Reel

Note: Pin Assignment: G: Gate D: Drain S: Source

<p>UTT200N03L-TA3-T</p> <p>(1)Packing Type</p> <p>(2)Package Type</p> <p>(3)Lead Free</p>	<p>(1) T: Tube, R: Tape Reel</p> <p>(2) TA3: TO-220, TQ2: TO-263</p> <p>(3) L: Lead Free, G: Halogen Free</p>
---	---

■ MARKING INFORMATION

PACKAGE	MARKING
TO-220 TO-263	<p>Lot Code</p> <p>UTC UTT200N03</p> <p>L: Lead Free G: Halogen Free Data Code</p> <p>1</p>

■ ABSOLUTE MAXIMUM RATINGS [$T_C=25^{\circ}\text{C}$, unless otherwise noted (Note 6)]

PARAMETER		SYMBOL	RATINGS	UNIT
Drain-Source Voltage		V_{DSS}	30	V
Gate-Source Voltage		V_{GSS}	± 20	V
Drain Current	Continuous	I_D	200	A
	Pulsed (Note 1)	I_{DM}	800	A
Single Pulsed Avalanche Energy (Note 2)		E_{AS}	864	mJ
Power Dissipation	$T_C=25^{\circ}\text{C}$	P_D	178	W
Power Dissipation	Derate above 25°C		1.43	W/ $^{\circ}\text{C}$
Junction Temperature		T_J	-55~+150	$^{\circ}\text{C}$
Storage Temperature		T_{STG}	-55~+150	$^{\circ}\text{C}$

Note: Absolute maximum ratings are those values beyond which the device could be permanently damaged.
Absolute maximum ratings are stress ratings only and functional device operation is not implied.

■ THERMAL CHARACTERISTICS

PARAMETER	SYMBOL	RATINGS	UNIT
Junction to Ambient	θ_{JA}	62.5	$^{\circ}\text{C}/\text{W}$
Junction to Case	θ_{JC}	0.7	$^{\circ}\text{C}/\text{W}$

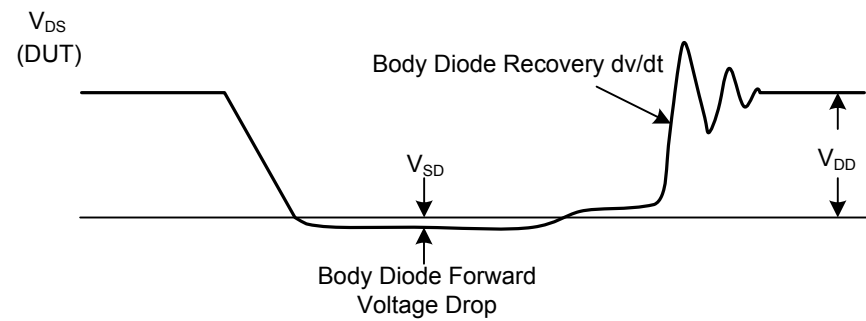
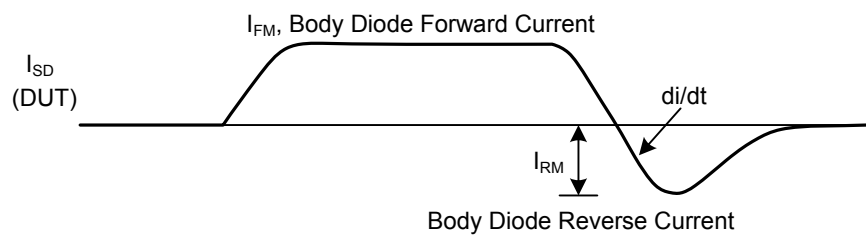
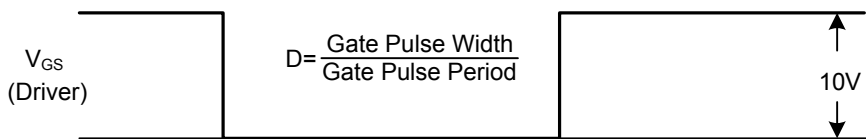
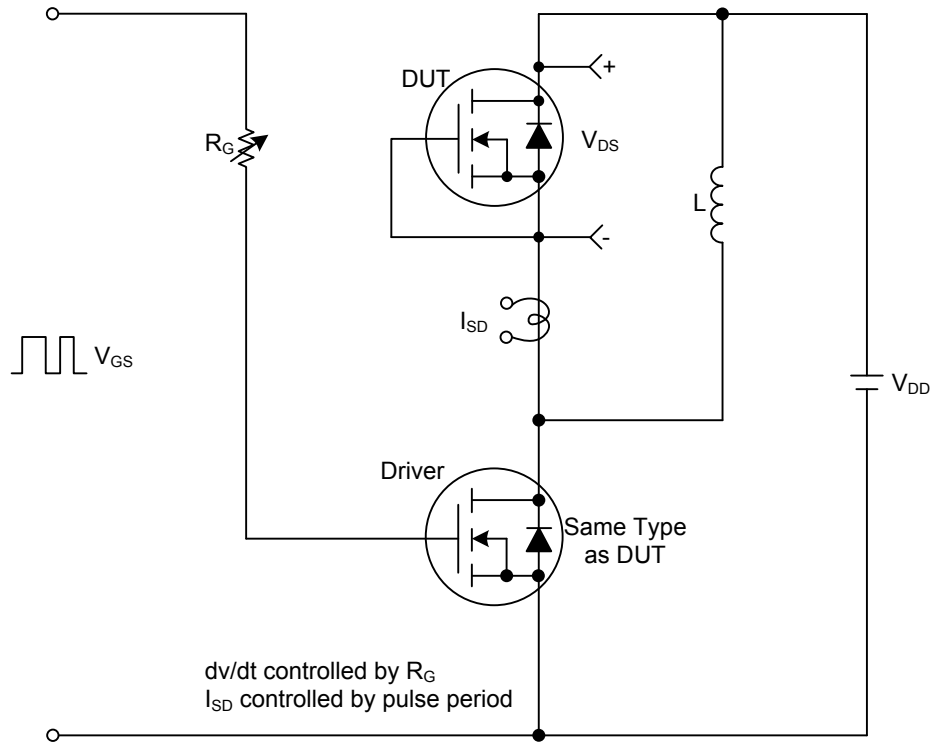
■ ELECTRICAL CHARACTERISTICS ($T_C=25^{\circ}\text{C}$, unless otherwise noted)

PARAMETER	SYMBOL	TEST CONDITIONS	MIN	TYP	MAX	UNIT
OFF CHARACTERISTICS						
Drain-Source Breakdown Voltage	BV_{DSS}	$I_D=250\mu\text{A}$, $V_{GS}=0\text{V}$, $T_C=25^{\circ}\text{C}$	30			V
Drain-Source Leakage Current	I_{DSS}	$V_{DS}=30\text{V}$, $V_{GS}=0\text{V}$			10	μA
Gate- Source Leakage Current	Forward	I_{GSS}			+100	nA
					Reverse	-100
ON CHARACTERISTICS						
Gate Threshold Voltage	$V_{GS(TH)}$	$V_{DS}=V_{GS}$, $I_D=250\mu\text{A}$	1.0		3.0	V
Static Drain-Source On-State Resistance	$R_{DS(ON)}$	$V_{GS}=10\text{V}$, $I_D=80\text{A}$			2.6	m Ω
DYNAMIC PARAMETERS						
Input Capacitance	C_{ISS}	$V_{GS}=0\text{V}$, $V_{DS}=25\text{V}$, $f=1.0\text{MHz}$		5490	7300	pF
Output Capacitance	C_{OSS}			1220	1620	pF
Reverse Transfer Capacitance	C_{RSS}			155	233	pF
SWITCHING PARAMETERS						
Total Gate Charge	Q_G	$V_{GS}=10\text{V}$, $V_{DS}=25\text{V}$, $I_D=100\text{A}$		200	350	nC
Gate to Source Charge	Q_{GS}			11		nC
Gate to Drain Charge	Q_{GD}			40		nC
Turn-ON Delay Time	$t_{D(ON)}$	$V_{DD}=30\text{V}$, $I_D=0.5\text{A}$, $R_{GEN}=4.7\Omega$, $V_{GS}=10\text{V}$		70	110	ns
Rise Time	t_R			200	300	ns
Turn-OFF Delay Time	$t_{D(OFF)}$			1600	2000	ns
Fall-Time	t_F			700	1200	ns
SOURCE- DRAIN DIODE RATINGS AND CHARACTERISTICS						
Maximum Body-Diode Continuous Current	I_S				200	A
Maximum Body-Diode Pulsed Current	I_{SM}				800	A
Drain-Source Diode Forward Voltage	V_{SD}	$I_S=100\text{A}$, $V_{GS}=0\text{V}$			1.3	V

- Note: 1. Repetitive Rating: Pulse width limited by maximum junction temperature
 2. $L = 3\text{mH}$, $I_{AS} = 24\text{A}$, $V_{DD} = 30\text{V}$, $R_G = 25\Omega$, Starting $T_J = 25^{\circ}\text{C}$
 3. Pulse Test: Pulse width $\leq 300\mu\text{s}$, Duty cycle $\leq 2\%$
 4. Essentially independent of operating temperature

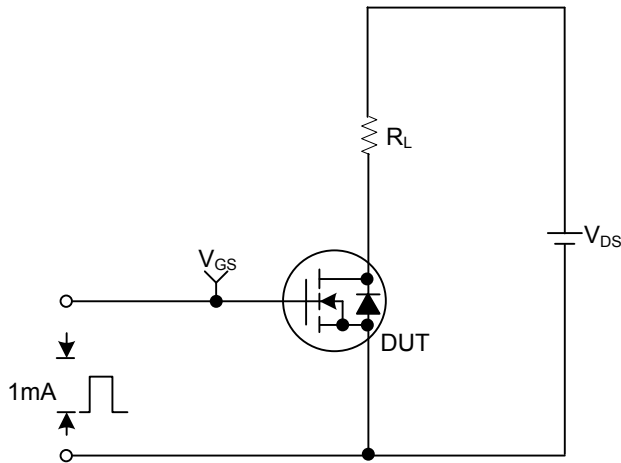
■ TEST CIRCUITS AND WAVEFORMS

Peak Diode Recovery dv/dt Test Circuit & Waveforms

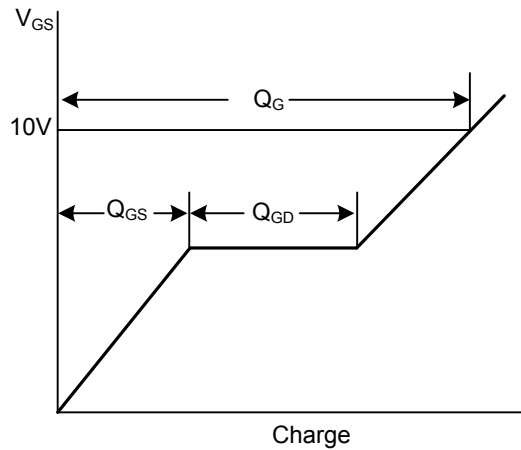


TEST CIRCUITS AND WAVEFORMS(Cont.)

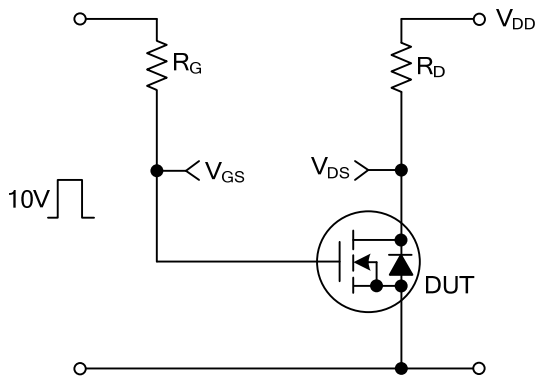
Gate Charge Test Circuit



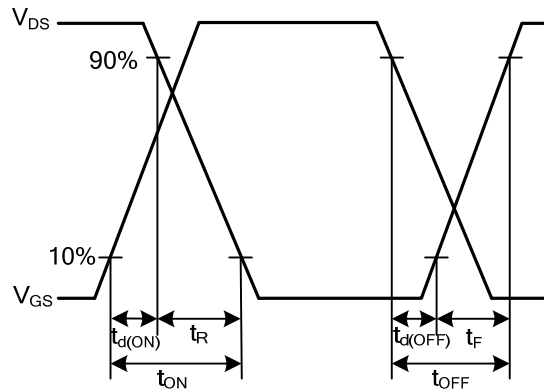
Gate Charge Waveforms



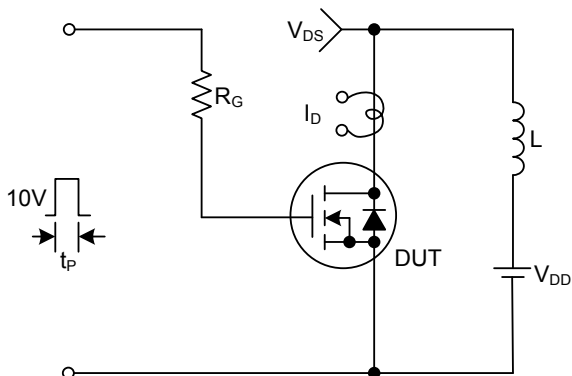
Resistive Switching Test Circuit



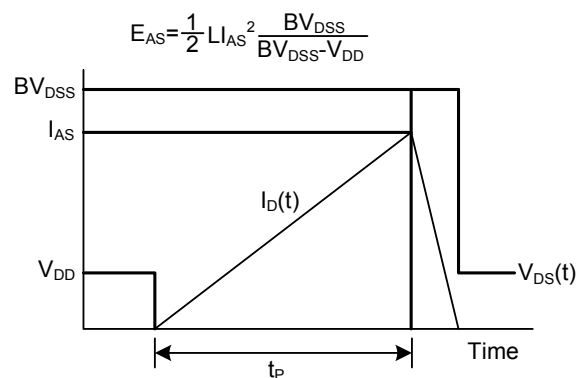
Resistive Switching Waveforms



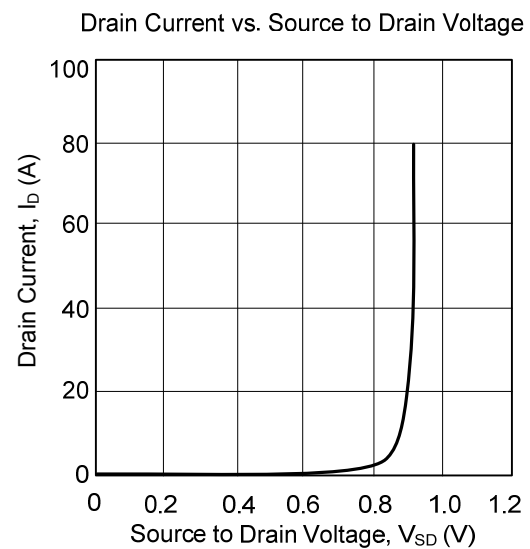
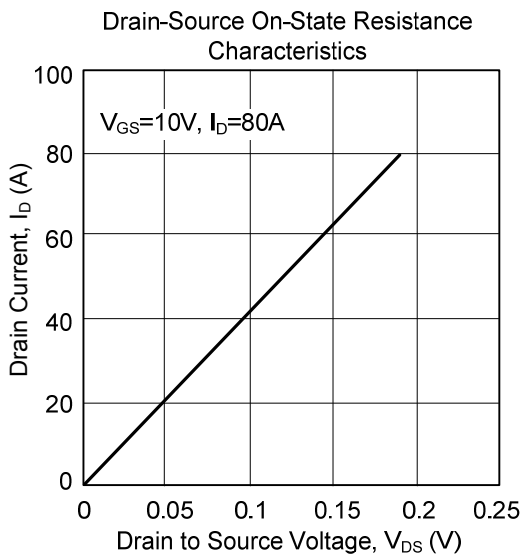
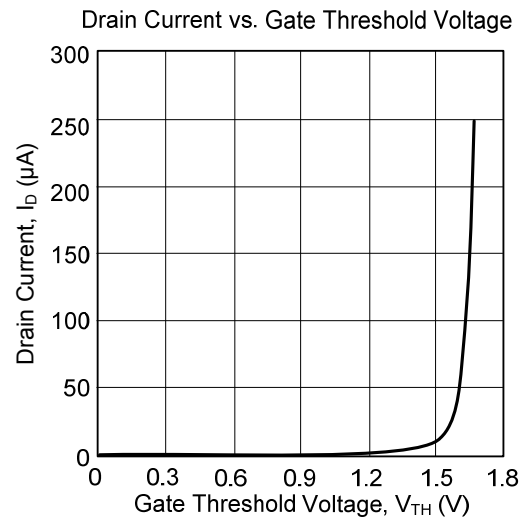
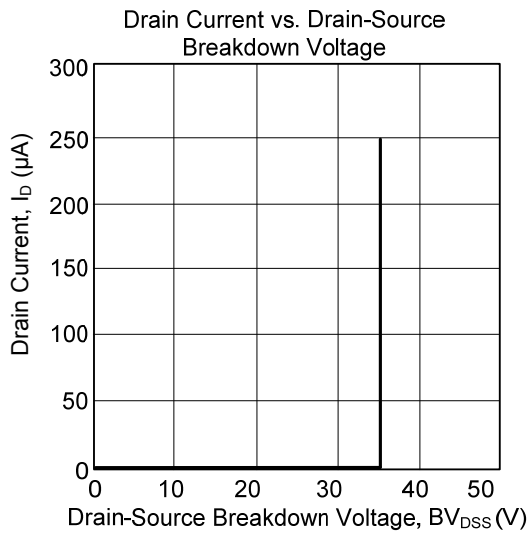
Unclamped Inductive Switching Test Circuit



Unclamped Inductive Switching Waveforms



TYPICAL CHARACTERISTICS



UTC assumes no responsibility for equipment failures that result from using products at values that exceed, even momentarily, rated values (such as maximum ratings, operating condition ranges, or other parameters) listed in products specifications of any and all UTC products described or contained herein. UTC products are not designed for use in life support appliances, devices or systems where malfunction of these products can be reasonably expected to result in personal injury. Reproduction in whole or in part is prohibited without the prior written consent of the copyright owner. The information presented in this document does not form part of any quotation or contract, is believed to be accurate and reliable and may be changed without notice.