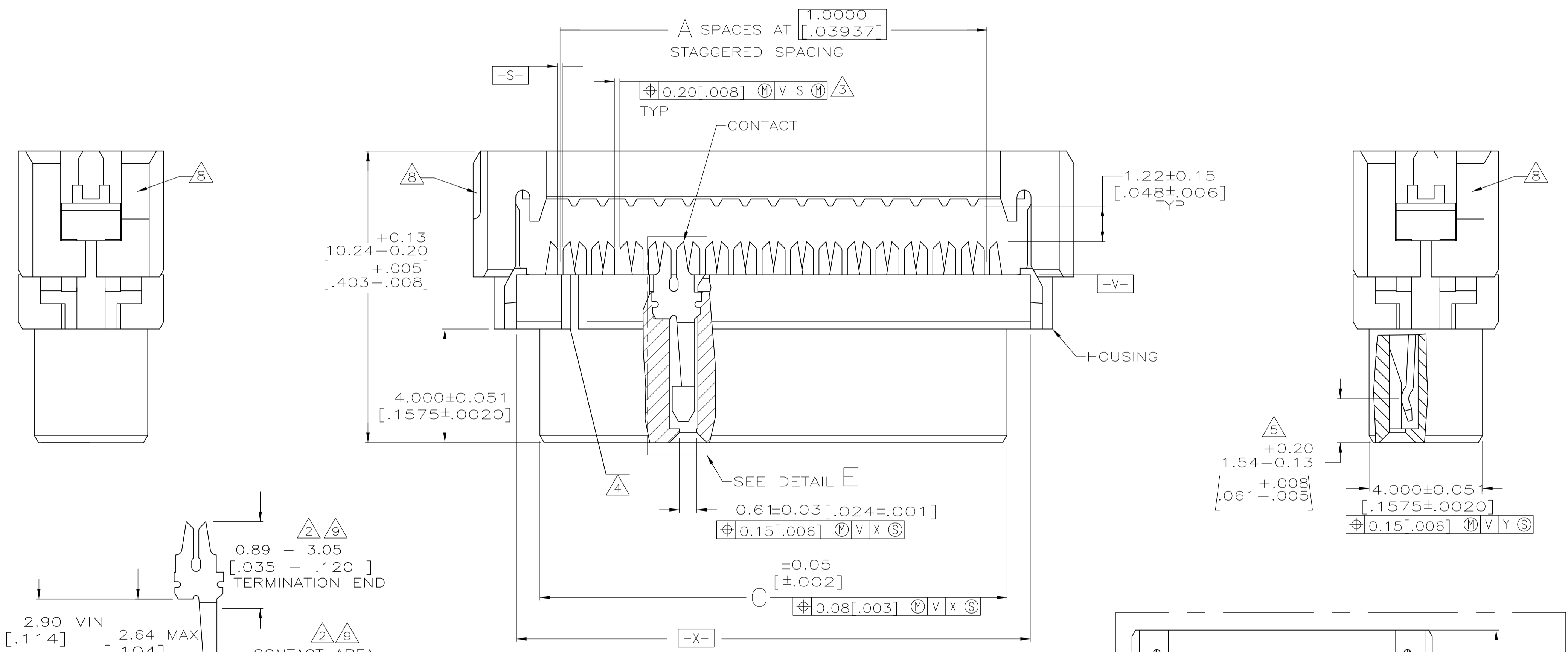


- 1 MOLDED PARTS: POLYESTER, UL RATED 94V-0, BLACK. CONTACTS: BERYLLIUM COPPER.
- 2 2.54μm [.000100] MIN TIN-LEAD ON TERMINATION END, 0.76μm [.000030] MIN GOLD ON CONTACT AREA, ALL OVER 1.27μm [.000050] MIN NICKEL.
- 3 POSITION TOLERANCE APPLIES 0.76 [.030] ABOVE DATUM V.
- 4 POSITION NUMBER 1 INDICATOR.
- 5 ELECTRICAL ENGAGEMENT ZONE.
- 6. RECOMMENDED 28 AWG RIBBON CABLE, 0.61 - 0.97 [.024 - .038] THICK PVC, 1.0000 [.03937] PITCH.
- 7 AMP LOGO ORIENTATION IS OPTIONAL.
- 8 RECESS ON EACH END, OPPOSITE CORNER.
- 9 0.13μm [.000005] MIN GOLD ON TERMINATION END, 0.76μm [.000030] MIN GOLD ON CONTACT AREA, ALL OVER 1.27μm [.000050] MIN NICKEL.
- 10 MOLD GATE PROJECTION ON EITHER END OF COVER TO BE EXCLUDED FROM DIMENSION 'B' MEASUREMENT.



9	0.0000 .00000	26.42 [1.040]	31.17 [1.227]	25	26	2-111626-7
9	1.0000 .03937	24.41 [.961]	29.18 [1.149]	23	24	2-111626-6
9	1.0000 .03937	16.41 [.646]	21.18 [.834]	15	16	2-111626-5
9	1.0000 .03937	8.41 [.331]	13.18 [.519]	7	8	2-111626-4
9	0.0000 .00000	50.39 [1.984]	55.17 [2.172]	49	50	2-111626-3
9	1.0000 .03937	44.40 [1.748]	49.17 [1.936]	43	44	2-111626-2
9	1.0000 .03937	40.41 [1.591]	45.19 [1.779]	39	40	2-111626-1
9	0.0000 .00000	34.42 [1.355]	39.17 [1.542]	33	34	2-111626-0
9	1.0000 .03937	20.40 [.803]	25.17 [.991]	19	20	1-111626-9
9	0.0000 .00000	14.40 [.567]	19.18 [.755]	13	14	1-111626-8
9	0.0000 .00000	10.41 [.410]	15.16 [.597]	9	10	1-111626-7
OBSOLETE	1.0000 .03937	8.41 [.331]	13.18 [.519]	7	8	1-111626-6
OBSOLETE	0.0000 .00000	22.40 [.882]	27.18 [1.070]	21	22	1-111626-5
OBSOLETE	1.0000 .03937	68.40 [2.693]	73.18 [2.881]	67	68	1-111626-4
OBSOLETE	1.0000 .03937	64.41 [2.536]	69.16 [2.723]	63	64	1-111626-3
OBSOLETE	1.0000 .03937	60.40 [2.378]	65.18 [2.566]	59	60	1-111626-2
OBSOLETE	0.0000 .00000	50.39 [1.984]	55.17 [2.172]	49	50	1-111626-1
	1.0000 .03937	44.40 [1.748]	49.17 [1.936]	43	44	1-111626-0
OBSOLETE	1.0000 .03937	40.41 [1.591]	45.19 [1.779]	39	40	111626-9
OBSOLETE	0.0000 .00000	34.42 [1.355]	39.17 [1.542]	33	34	111626-8
OBSOLETE	0.0000 .00000	30.40 [1.197]	35.18 [1.385]	29	30	111626-7
OBSOLETE	0.0000 .00000	26.42 [1.040]	31.17 [1.227]	25	26	111626-6
OBSOLETE	1.0000 .03937	24.41 [.961]	29.18 [1.149]	23	24	111626-5
OBSOLETE	1.0000 .03937	20.40 [.803]	25.17 [.991]	19	20	111626-4
OBSOLETE	1.0000 .03937	16.41 [.646]	21.18 [.834]	15	16	111626-3
OBSOLETE	0.0000 .00000	14.40 [.567]	19.18 [.755]	13	14	111626-2
OBSOLETE	0.0000 .00000	10.41 [.410]	15.16 [.597]	9	10	111626-1

CONTACT FINISH		D	C	B	A	NO OF POSN	PART NO

THIS DRAWING IS A CONTROLLED DOCUMENT.		DIN C. OBERMAN 02-24-92	 TE Connectivity
DIMENSIONS: mm [INCHES]		3-9-92	
TOLERANCES UNLESS OTHERWISE SPECIFIED:		PRODUCT SPEC: RECEPTACLE ASSY, 2mm CL, AMP-LATCH APPLICATION SPEC:	
0 PLC ± - 1 PLC ± - 2 PLC ± 0.08 [.003] 3 PLC ± - 4 PLC ± - ANGLES ± -		SIZE: A1 CASE CODE: 00779 DRAWING NO: C=111626 RESTRICTED TO:	
MATERIAL: 1		WEIGHT: - CUSTOMER DRAWING: 10:1 SCALE SHEET 1 OF 1 REV. M2	