

HSF

NOTES:

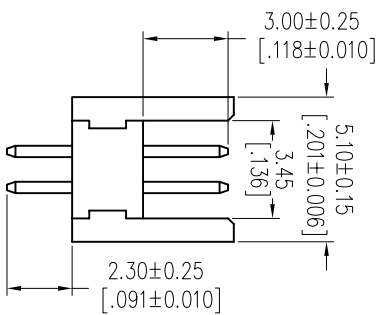
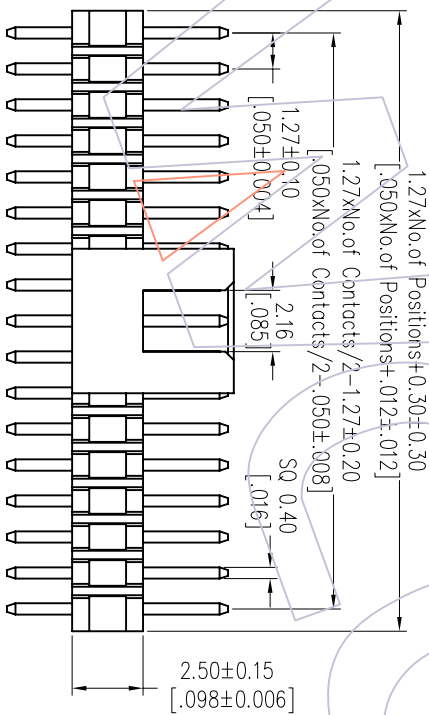
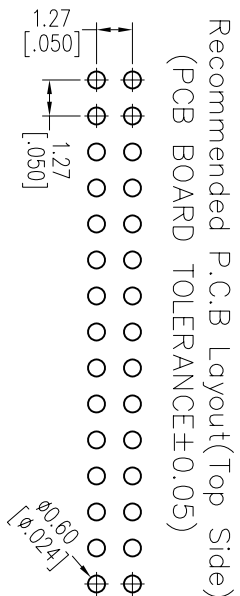
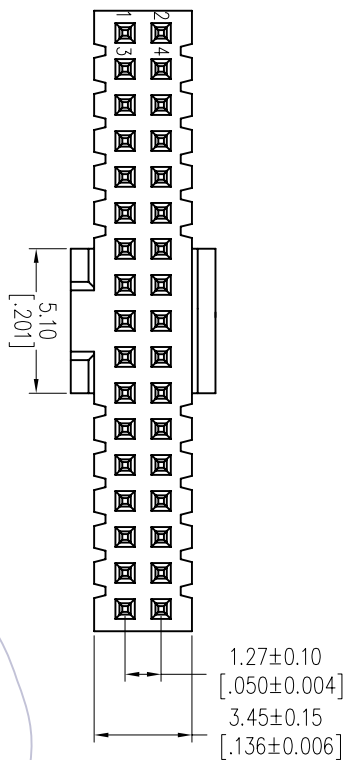
- Rated Current: 1.0AMP
- Contact Resistance: 20mΩ max
- Withstand Voltage: 500V AC/DC
- Insulation Resistance: 1000MΩ min
- Operation Temperature: -40°C to +105°C
- Contact Material: Brass
- Contact Plating: Au or Sn Over Ni
- Insulator Material: LCP+30%G.F UL94V-0

Ordering Information

3132-XX S XX B K00 X 1

- No. of Pins: 10, 14, 16, 20, 24, 26, 30, 32
- Contact Plating: G0=Gold Flash, G3=10u"Gold, G4=15u"Gold, G5=30u"Gold, S0=Gold Flash/Tin, S3=10u"Gold/Tin, S4=15u"Gold/Tin, S5=30u"Gold/Tin
- Color Insulator: B=Black, W=White
- Packing: T=Tube

Item	Pitch	Mating
Standard	1.27	5232
Alternate		



OPERATION		DRAW		DATE		SCALE		FIT		PART NO.	
XX		JYhuang		2012/09/18		mm		1/1		3132-XXSXXBK00X1	
XX		CHECK		DATE		A4		SHEET		TITLE:	
X.XXX		± 0.15		± 3'		APPROVE		DATE		1.27mm BOX HEADER 180° "S" TYPE H=5.70	
Angle		± 0.15		± 3'		APPROVE		DATE		Customer NO.	
DIM		TOL		TOL		PROJ.		PROJ.		Customer NO.	
CHANGE		DESCRIPTION		DATE		DATE		DATE		DATE	
REV		DATE		DATE		DATE		DATE		DATE	
A0		2012/09/18		NEW		NEW		NEW		NEW	
REV		DATE		DATE		DATE		DATE		DATE	

WCON

Http: www.wcon.com

WCON-Dongguan Tel: +86 769 85358920 Fax: +86 769 85358915 E-mail: sales@wcon.com

WCON-Kunshan Tel: +86 512 57468408 Fax: +86 512 57468468 E-mail: sales@wcon.com