



CYPRESS

CONFIDENTIAL

CY7C9536B

OC-48/STM-16 Framer with VC - POSIC2GVC™

Features

- OC-48/STS-48/STM-16, OC-12/STS-12/STM-4, OC-3/STS3/STM-1 rates, concatenated and non-concatenated
- Complies with ITU-Standards G.707/Y.1322 and G.783^[1,2]
- Complies with Bellcore GR253 rev.1, 1997^[3]
- Channelized operation: supports 16xOC-3 and 4xOC-12 within OC-48 stream
- Supports TUG3 mapping in SDH mode
- Virtual concatenation enables secure and dedicated bandwidth provisioning^[4]
- Up to 16 channels
- From 50-Mbps to 1.2-Gbps bandwidth per channel
- STS-1 and STS-3c granularity
- Full duplex mapping of ATM cells over SONET/SDH
- Complies with ITU-Standards I 432.2^[5,6,7]
- Full duplex mapping of packet-over-SONET/SDH: IETF RFC 1619/1662/2615 (HDLC/PPP)^[8,9,10]
- Generic Framing Procedure (GFP) per ANSI T1X1.5^[11,12,13] Protocol Encapsulator/Decapsulator delineates GFP frames with length-CRC frame construct
- GFP 268r1
- User-programmable encapsulation
- User-programmable clear channel transport
- User-programmable SONET/SDH bypass
- Programmable frame tagging engine for packet preclassification enables such features as
- MPLS label lookup and tagging
- PPP: LCP and NCP tagging
- PPP control packets optionally sent to host CPU interface
- MAC/layer 3 address look up and tagging.
- Programmable A1A2 processing bypass in Rx direction with frame sync input
- Complete section overhead (SOH), line overhead (LOH), and path overhead (POH) processing
- APS extraction, CPU interrupt generation, and programmable insertion of APS byte
- Line side APS port interface
- Provision for protection switching on SONET/SDH port
- Programmable PRBS generator and receiver
- Serial port to access line/section data communication channel (DCC) and voice communication channel (VCC)
- Full duplex OIF-SPI (POS-PHY)/UTOPIA level 3 interface^[14,15]
- 16-bit/32-bit host CPU interface bus
- JTAG and boundary scan
- Glueless interface with Cypress CYS25G0101DX OC-48 PHY
- 0.18-um CMOS, 504-pin BGA package
- +1.8V for core, +3.3V for LVTTTL I/O, +1.5V/+3.3V for HSTL/LVPECL I/O supply, and +0.75V/2.0V reference

Applications

- Multi-service nodes
- ATM switches and routers
- Packet routers and multiservice routers
- SONET/SDH/Add-Drop Mux for packet/data applications
- SONET/SDH/ATM/POS test equipment

Notes:

1. ITU-T Recommendation G.707. "Network Node Interface for the Synchronous Digital Hierarchy." 1996.
2. ITU-T Recommendation G.783. "Characteristics of Synchronous Digital Hierarchy (SDH) Equipment Functional Blocks." 2000.
3. Bellcore Publication GR-253-Core. "Synchronous Optical Network (SONET) Transport Systems: Common Generic Criteria." 1997.
4. Jones, N., Lucent Microelectronics, and C. Murton, Nortel Networks. "Extending PPP over SONET/DSH with Virtual Concatenation, High-Order and Low-Order payloads." Internet Draft. June 2000.
5. ITU-T Recommendation I.432.3. "B-ISDN User-Network Interface—Physical Layer Specification: 1544 kbit/s and 2048 kbit/s Operation." 1999.
6. American National Standards Institute. "Synchronous Optical Network (SONET)—Basic Description Including Multiplex Structure, Rates and Formats." ANSI T1.105-1995.
7. American National Standards Institute. "Synchronous Optical Network (SONET)—Payload Mappings." ANSI T1.105.02-1998.
8. Simpson, W. "PPP over SONET/SDH." RFC 1619. May 1994.
9. Simpson, W., ed. "PPP in HDLC-like Framing," RFC 1662. *Daydreamer*. July 1994.
10. Malis, A. and W. Simpson. "PPP over SONET/SDH," RFC 2615. June 1999.
11. Hernandez-Valencia, E., Lucent Technologies. "A Generic Frame Format for Data over SONET (DoS)." March 2000.
12. Gorshe, C. and Steven. T1X1.5/99-204, T1 105.02. Draft Text for Mapping IEEE 802.3 Ethernet MAC Frames to SONET Payload. July 1999.
13. Hernandez-Valencia, E., Lucent Technologies. T1X1.5/2000-209. "Generic Framing Procedure (GFP) Specification." October 9-13, 2000.
14. ATM Forum, Technical Committee. UUTOPIA 3 Physical Layer Interface." Af-phy-0136.000. November 1999.
15. Can, R. and R. Tuck. "System Packet Interface Level 3 (SPI-3): OC-48 System Interface for Physical and Link-Layer Devices." OIF-SPI3-01.0. June 2000.

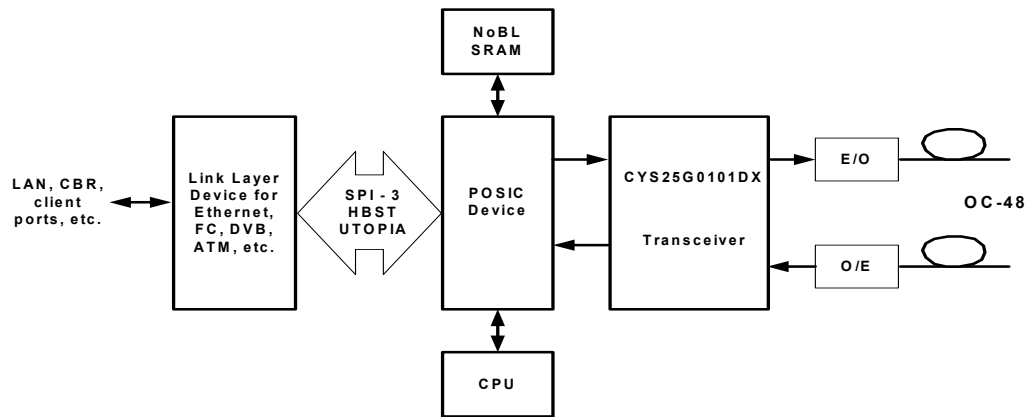
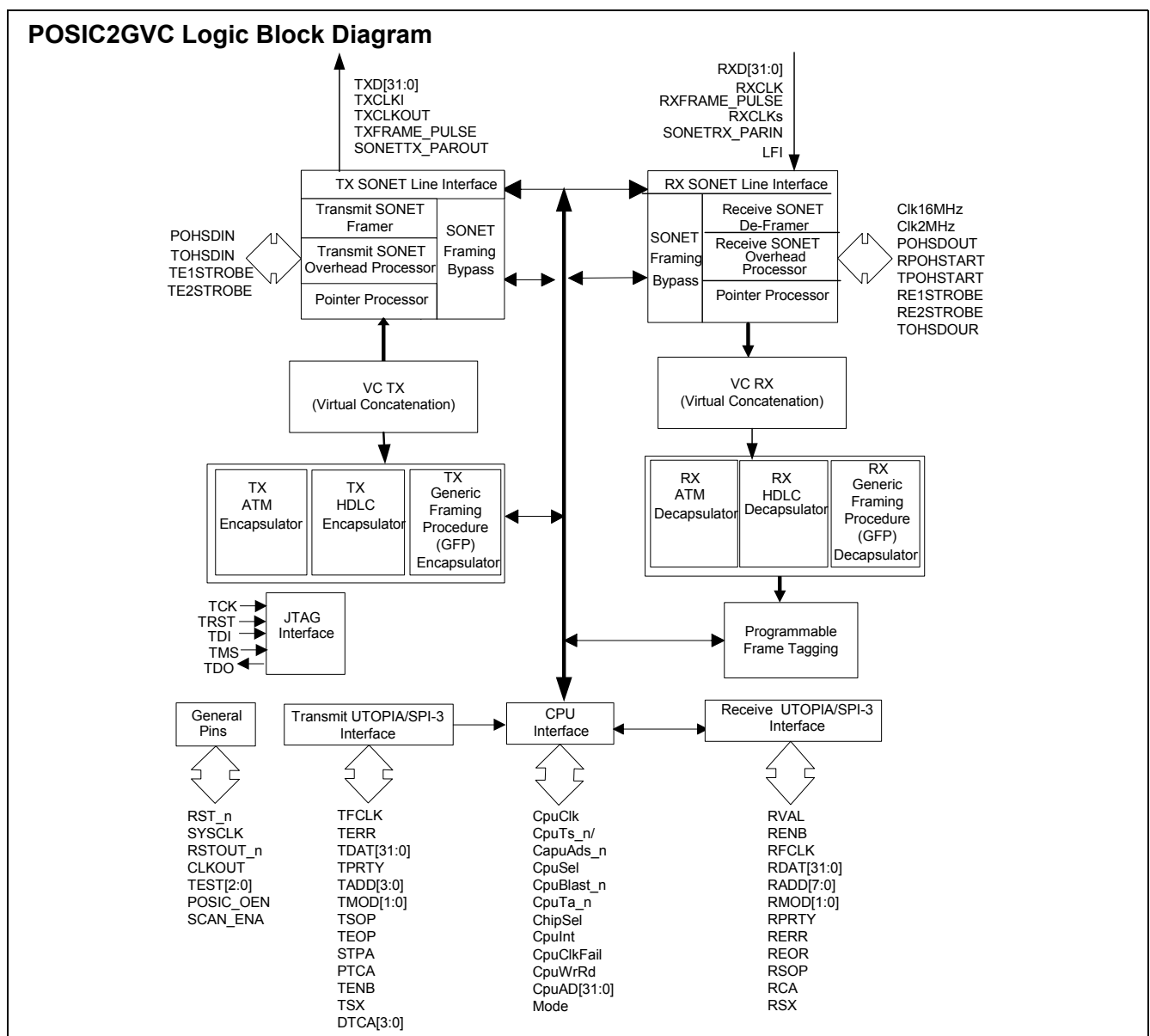


Figure 1. POSIC2GVC System Application Diagram



Overview

The CY7C9536B (POSIC2GVC™) is a highly integrated SONET/SDH framer device for transport of ATM and IP packets over SONET/SDH links. It features special functions and architecture to support next-generation optical networking protocols for both SONET/SDH and direct data-over-fiber networks. OIF-SPI (POS-PHY) level 3, UTOPIA level 3 and High-Bandwidth Synchronous Transfer (HBST) interfaces are provided on the system side.

POSIC2GVC performs complete SOH, LOH, and POH processing. Complete access to all overhead bytes is provided through register access via the host CPU interface. Access to selected overhead bytes are also available through serial port. Optional frame sync input and Transport Overhead (TOH) bypass enables better interface with STS-1 switched streams.

The virtual concatenation feature, with up to 16 channels, enables provisioning of secure, dedicated and right-sized bandwidth for Ethernet or ATM transport. Up to 16 virtual channels can be created with STS-1 or STS-3c granularity. Bandwidth from 50 Mbps to 1.2 Gbps can be allocated per channel.

POSIC2GVC supports packet over SONET/SDH as PPP in HDLC-like frame as per IETF rfc 1619/1662/2615 (PPP). POSIC2GVC also supports full duplex ATM over SONET/SDH transport in compliance with ITU I432.2.

POSIC2GVC supports the new generation Generic Framing Procedure (GFP) protocol encapsulation/Decapsulation over SONET/SDH. This protocol engine features wire rate framing, frame delineation and deframing with length-CRC pair header construct. Optional payload scrambling/descrambling and payload FCS are also provided.

Clear channel mode enables transport of any raw byte streams on selected virtual channels, while the rest of the channels are transporting data through any one of encapsulation/decapsulation engines.

The Programmable Frame Tagging Engine enables wire rate tagging of packets/frames. For new generation networking features such as MPLS, this engine can be programmed to tag based on existence/lack of specific label/field values, in the first 64 bytes of each packet. This way, packets are tagged for a variety of conditions, all programmable by the user, enabling sorting of packets in the incoming data stream and buffering packets accordingly. In a PPP application, control packets can optionally be sent over the host CPU interface directly.

SONET/SDH bypass mode allows use of this device for data transport in non SONET/SDH point-to-point and mesh optical networks.

Transmit

In the transmit direction, packets are received from the system side, encapsulated/framed and mapped into the SONET/SDH payload. Finally the TOH is added and SONET/SDH frames are passed onto the fiber side/line side interface on a parallel bus.

The system side interface can be programmed either as OIF-SPI level 3, or UTOPIA level 3 or HBST modes. In the UTOPIA mode, ATM cells can be received either in 54- (8-bit interface) or 56- (8-bit and 32-bit interfaces) bytes format. The sixth byte carries the channel number of the cell. In case of packets, the interface can be programmed as OIF-SPI level 3

or HBST operations. In these cases, the first data transfer always carry the channel number.

POSIC2GVC supports three basic types of encapsulation, namely (i) ATM, (ii) HDLC frame, and (iii) GFP (frames with length-CRC pair header construct based delineation). Clear channel or transparent mode (no encapsulation) is also supported. While in operation, only one type of encapsulation can be enabled for all VC channels. Some or all of the VC channels can be programmed as clear channels. For Clear Channels, the encapsulator engine will bypass the encapsulation and pass the packets without any processing to the next block.

Encapsulated packets are transferred to the Virtual Concatenation (VC) block along with the channel number. The VC block rearranges the packet/frame flow to support the bandwidth allocation for virtual channels. Bandwidth is assigned by allocating a programmed number of SPEs to each channel. The VC block keeps track of the SPE under construction by the SONET/SDH framer block and transfers the packets meant for a given channel to the SONET framer. Since POSIC2GVC does not have a packet storage memory on-chip, a channel bandwidth balanced packet flow is expected from the system side. To enable such a balanced transfer, POSIC2GVC has internal FIFO of 512 bytes per channel. The status of FIFO is provided through pins to the link layer.

Finally, the SONET/SDH framer inserts the packet /cells into the SONET/SDH frame. All overhead bytes are added. All alarm bits and status bits are inserted based on the status of incoming frames as well as programming done by the host CPU. The scrambler meets relevant standards and can optionally be disabled. Frames are finally sent out on the fiber side interface. If programmed to do so, the SONET/SDH framer can be bypassed and encapsulated packets/frames can be sent directly to the fiber-side interface.

Receive

In the receive direction, SONET/SDH frames are received from the fiber side. Data packets/frames are extracted from the payload and passed onto the selected decapsulator engine after compensation for differential delay, in case of virtual concatenation. If the SONET/SDH framer is bypassed, the incoming data stream is directly passed over to the decapsulator engine. Data packets/frames are then decapsulated and sent to the Programmable Frame Tagging Engine. They are then analyzed and tagged before sent out to the system side via the OIF-SPI level 3, UTOPIA or HBST interface. Tagging of frames is optional.

SONET/SDH frames entering from the fiber side are synchronized and the frame boundary is identified with A1A2 bytes. Frames can be optionally synchronized with Frame_Sync_Input to identify the boundary. Descrambling is performed to retrieve scrambled frames. Complete processing of all overhead bytes, Section, Line and Path, is performed and all alarm bits are verified and alarms are raised as programmed. Full access to all overhead bytes is provided through register access. Access to selected overhead bytes is also provided through serial bus. The SONET/SDH deframing can be entirely bypassed.

The extracted payload is transferred to the VC block where it is reorganized to compensate for any differential delay encountered in the network from the virtual concatenation

channel. For this purpose, up to 256 frames are stored in external memory. The VC block then passes the payload stream to the selected decapsulator engine.

The selected decapsulator engine delineates the payload stream, decapsulates and extracts packets/cells from the stream. Descrambling of packets/cells is optional. The packets/cells are then sent out to the programmable Frame Tagging Engine.

The Frame Tagging Engine optionally tags the packet/cell as programmed. The packet/cell is then transferred to the link layer device, through the System Interface (OIF-SPI/UTOPIA level 3, or HBST), with an additional eight bits of information. Four bits specify the VC channel and the other four bits specify the tag.

Virtual Concatenation

Virtual concatenation creates multiple virtual payloads of different sizes within the incoming SONET/SDH frame, effectively creating multiple channels of different bandwidth.

The advantages of VC are:

- Efficient and dedicated bandwidth allocation.
- Compatibility with TDM access infrastructure. Virtually concatenated channels can coexist with aware and nonaware Network Elements on the same shared access.
- Independence from upper layer data protocol/frame format.
- Fine granularity channels are extensible and easily provisionable.

POSIC2GVC supports VC for all types of packets/frames/protocols it transports on SONET/SDH. Up to 16 channels can be created using STS1/VC-3, STS3c/VC-4, STS12c/VC4-4c and STS24c/VC4-8c. POSIC2GVC also supports non-virtually concatenated channels such as STS3c and STS12c. *Table 1* shows a list of virtually concatenated channel bandwidth supported by POSIC2GVC.

Virtual concatenation requires specific overhead processing capabilities only at the path terminating equipment. It remains transparent at the intermediate nodes in the network. It is possible therefore that two or more different SPEs, virtually bonded to create a channel, travel through different routes in the network. Hence, they can arrive at the destination in the order different from the order at the point of origination. Delay encountered in arrival of two virtually concatenated SPEs in a frame is called differential delay. To compensate for differential delay, the SPE received earlier need to be stored until the particular SPE, which is previous in the order but faces longer travel time, arrives at the terminating node. POSIC2GVC can store up to 256 SONET/SDH frames in external memory, which can compensate for ± 16 ms of differential delay. For differential delay higher than that, POSIC2GVC raises an alarm.

Notes:

16. All VC mode channel configurations require a SYSCLK frequency of 133.33 MHz.

17. Please refer to device manual for allowed combinations of Virtual Channels using STSX-1v/VCX-1v granularity.

Table 1. Virtual Concatenated Channel Bandwidth^[16]

VC-3-1v/STS-1-1v ^[17]	(~50 Mbps)
VC-3-2v/STS-1-2v	(~100 Mbps)
VC-3-3v/STS-1-3v	(~150 Mbps)
VC-3-4v/STS-1-4v	(~200 Mbps)
VC-3-5v/STS-1-5v	(~250 Mbps)
VC-3-6v/STS-1-6v	(~300 Mbps)
VC-3-7v/STS-1-7v	(~350 Mbps)
VC-3-8v/STS-1-8v	(~400 Mbps)
VC-4-1v/STS-3c-1v ^[17]	(~150 Mbps)
VC-4-2v/STS-3c-2v	(~300 Mbps)
VC-4-3v/STS-3c-3v	(~450 Mbps)
VC-4-4v/STS-3c-4v	(~600 Mbps)
VC-4-5v/STS-3c-5v	(~750 Mbps)
VC-4-6v/STS-3c-6v	(~900 Mbps)
VC-4-7v/STS-3c-7v	(~1.05 Gbps)
VC-4-8v/STS-3c-8v	(~1.2 Gbps)
VC-4-4c-1v/STS-12c-1v ^[17]	(~600 Mbps)
VC-4-4c-2v/STS-12c-2v	(~1.2 Gbps)
VC4-8c-1v/STS-24c-1v ^[17]	(~1.2Gbps)

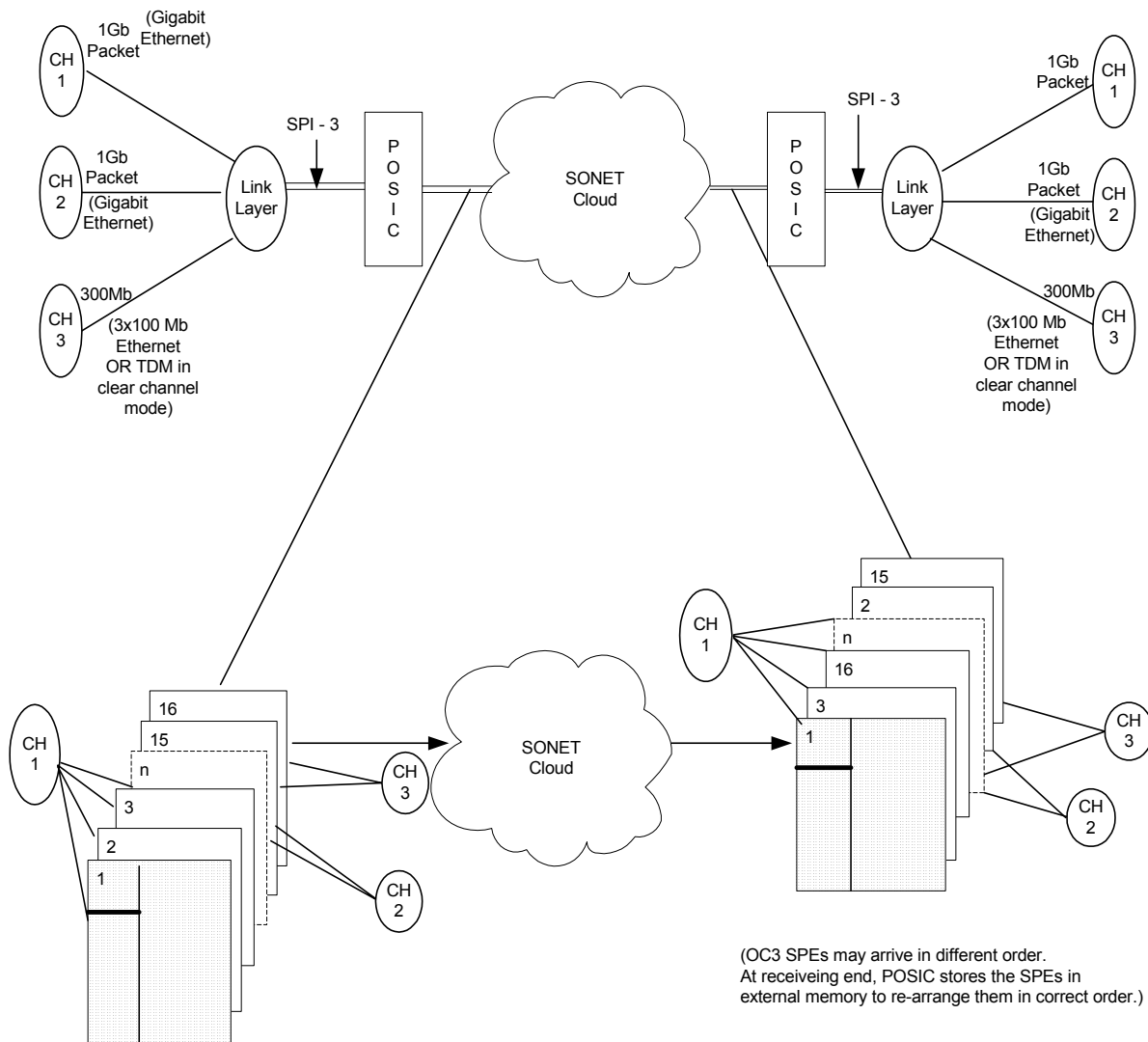


Figure 2. Explanation of Virtual Concatenation

Generic Frame Encapsulation/Decapsulation

POSIC2GVC supports a variety of protocols/packets/frames to transport over a SONET/SDH link. For clarity of reference, in this document, framing of packets/cells into these protocols is called “encapsulation,” and the engine performing encapsulation is called an “encapsulator.” Similarly, deframing is called “decapsulation,” and the engine performing decapsulation is called a “decapsulator.”

Three different encapsulator and decapsulator engines are integrated into POSIC2GVC.

The ATM encapsulator computes and adds the HEC field, scrambles the cells and passes on to the VC block. In case of underflow, ATM encapsulator also creates programmable idle cells.

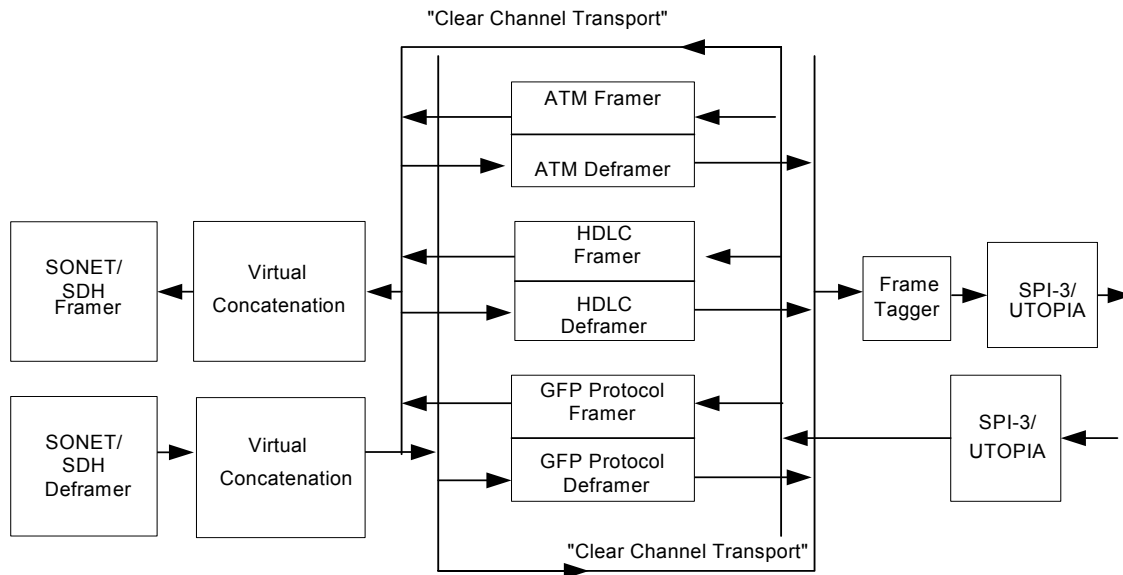
The ATM decapsulator checks for HEC and integrity of the cell. It descrambles the cells, isolates and discards idle cells and passes ATM cells to the Programmable Frame Tagging Engine.

HDLC encapsulator performs Asynchronous Control Character Mapping (ACCM), stuffing, flag sequence insertion and scrambling. Optionally, up to 16 bytes of header is inserted ahead of the packet while framing the packet. The host CPU can program this 16-byte header through register programming. Such programmable header insertion enables encapsulation of PPP, frame relay or other protocol.

The HDLC decapsulator descrambles the incoming byte stream and searches the flag sequence. Upon finding the boundary, decapsulator performs destuffing and ACCM demapping before passing the packets to the Programmable Frame Tagging Engine.

The Generic Framing Procedure (GFP) Encapsulator/Decapsulator supports delineation based on length-CRC pair header construct. In the transmit direction, it computes a 16-bit header CRC based on 2-byte length value received from the link layer device. The length and CRC fields are inserted as header of the frame ahead of the packet. Scrambling of the payload and 32-bit payload CRC computation and insertion are optional.

Protocol/Frame Types



- 1) Only one framer/deframer active
- 2) Selected VC channels can be declared "clear channel transport"

Figure 3. Protocol Framers

In the receive direction, GFP frames are delineated based on the length-CRC construct pair header, integrity verified, payload extracted, optionally descrambled and sent to the Programmable Frame Tagging Engine.

Any selected VC channel can be programmed to become a 'clear channel'. The encapsulator and decapsulator remain in transparent mode for the clear channel and data passes through without any modification. This feature can be used to transport any raw data streams on a portion of bandwidth while the rest of the bandwidth is utilized for protocol traffic.

Programmable Frame Tagging Engine

The Programmable Frame Tagging Engine provides preclassification of the packets/frames at the wire rate. This helps in utilizing the link layer device more efficiently.

The Programmable Frame Tagging Engine enables the user to perform preclassification of all the incoming packets into one of the 16 possible categories. Since each channel can have up to 16 different categories, and up to 16 virtual concatenated channels are possible, this engine supports up to 256 different categories. For classification, two-pass comparison can be specified. For each comparison a field of up to six bytes can be selected within the first 64 bytes of the packet and compared with up to 16 programmed values. The comparison is on a bit by bit basis and any bit comparison can be masked with a user programmable mask register. A four-bit tag is attached to the cell/packet, based on the match. Host CPU can program these parameters through register programming.

The following drawing demonstrates one possible combination of classification with the help of the Programmable Frame Tagging Engine.

The following functions can be achieved with the help of the Programmable Frame Tagging Engine:

- Incoming packet analysis to parse packets/frames/cells at wire speed.
- User-programmable routing of control packets to CPU for processing.
- Incoming frames tagged based on bits (such as congestion) in incoming packets.
- User-programmable offset to locate Ethernet and other frames within DOS and other proprietary MAN networking protocols to allow MPLS processing.

SONET/SDH Bypass

POSIC2GVC supports the SONET/SDH framer/deframer bypass mode. Host CPU can program such bypass. In this mode, the data frames/packets, encapsulated by one of the encapsulators, will be transmitted transparently through VC and SONET/SDH blocks to the fiber side and vice versa.

System Interface

The system interface is programmable. For application in an ATM system, POSIC2GVC system interface can be programmed to be PHY side interface as per UTOPIA level 3 specifications.

For variable length packets, POSIC2GVC system interface can be programmed to be OIF-SPI level 3. ATM cells can also be transferred over OIF-SPI level 3 bus.

System interface can be programmed in HBST mode. In this case, a separate set of address pins are supported on the system side. This mode supports high-speed burst access.

System Memory at

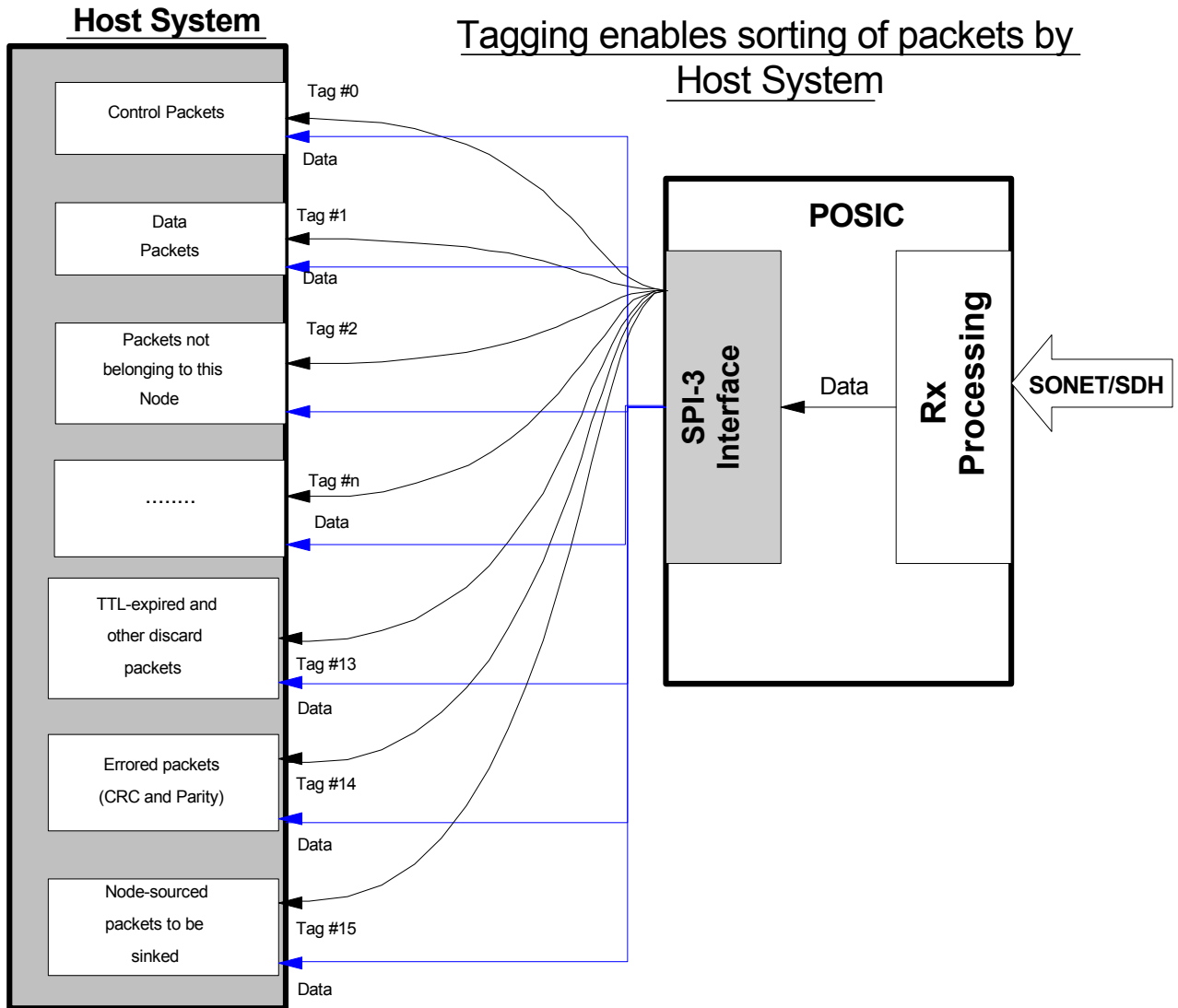


Figure 4. Frame Tagging Engine Data Sorting Diagram

CPU Interface

POSIC2GVC can interface with 16-bit or 32-bit CPU. The CPU interface can be pin configured to be compatible with Motorola or Intel bus interface. The CPU interface provides access to all registers of POSIC2GVC, collates all interrupt generated by various blocks and also supports control packet transfers.

Line Interface

The line interface/fiber side interface is configurable as 8 bit, 16-bit or 32-bit depending on the clock frequency and data rate. The options shown in *Table 2* are available.

Table 2. Configuration Options

Bus Width	Clock Frequency	Line Rate
8 bits	19.44 MHz	OC-3/STM-1
8 bits	77.76 MHz	OC-12/STM-4
16 bits	38.88 MHz	OC-12/STM-4
16 bits	155.52 MHz	OC-48/STM-16
32 bits	77.76 MHz	OC-48/STM-16

Clock Source

The transmit clock can be programmed to be one of the following sources:

- Received clock supplied by the PHY
- External transmit clock source.

APS Port

POSIC2GVC provides a 16-bit APS port for 1+1 protection. The support of a main and standby PHY interface connectivity allows several different APS implementation options using POSIC2GVC.

Multi-Framer APS Implementation

Two POSIC2GVC devices can be connected to two different transceivers, optics and fibers. POSIC2GVC enables protection switching with only one device being main and connected to link layer. The standby POSIC2GVC device is connected to the main POSIC2GVC device and it is controlled by host CPU. POSIC2GVC provides APS byte information to the host CPU. The host CPU is expected to take a protection switching decision and provide necessary instructions to both POSIC2GVC devices.

In case of protection switching, in the transmit direction, the main POSIC2GVC will perform all other operations as programmed, except some of the line and section processing of SONET/SDH framing. The main POSIC2GVC device will then pass on the SPEs to the standby device through the APS port. The standby device will then perform the rest of the line and section processing and transport SONET/SDH frames over standby fiber.

Similarly, in case of protection switched mode, on the receive side, the standby device will process some of the line and section overhead and transfer the frames to main device through the APS port. The main device will perform the rest of the processing in the receive side.

Single Framer APS Implementation

A main and slave PHY device can be interfaced directly to the main and APS ports of a single POSIC2GVC device. In this case, the main PHY is connected to the main line interface and the standby PHY is connected to the APS port.

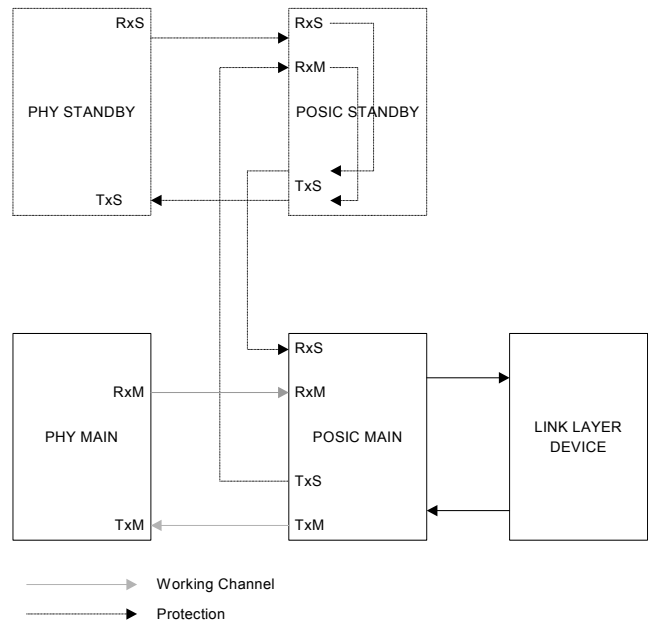


Figure 5. POSIC2GVC APS Implementation using Two POSIC Devices

In the POSIC2GVC transmit path, SONET/SDH data is bridged across the main and APS ports (per linear 1+1 APS requirements). When protection switching, POSIC2GVC can be programmed to switch line inputs from the main receive port to the APS receive port, or vice versa.

This APS scheme provides solely optical/PHY link level protection.

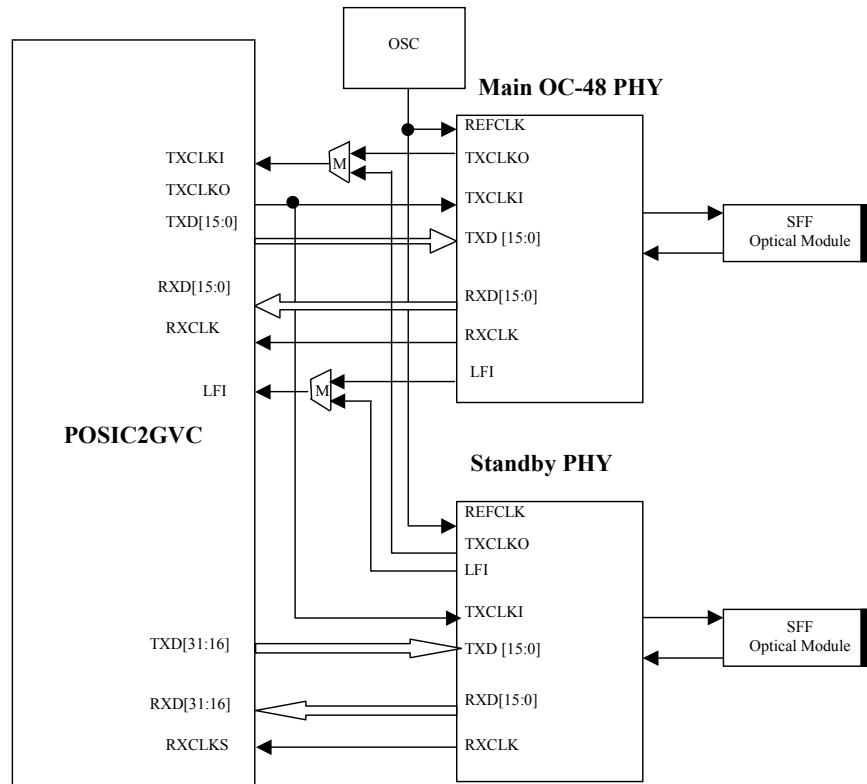


Figure 6. POSIC2GVC APS Implementation Using a Single POSIC Device

Pin Configuration

	29	28	27	26	25	24	23	22	21	20	19	18	17	16	15	14	13	12	11	10	9	8	7	6	5	4	3	2	1	Index	
A	VSS1	VSS1	VSS2	VCC1	VSS2	VCC3	VSS2	VCC2	VCC2	VSS2	VCC3	DQ1<31>	CE3	VSS2	VCC3	VCC2	AD<12>	AD<16>	VSS2	VCC2	VSS2	VCC3	VCC2	VSS2	VCC3	VSS1	VCC3	VSS1	VSS1	A	
B	VSS1	VCC3	VSS1	VCC3	VSS1	DQ1<12>	DQ1<16>	VSS1	DQ1<24>	DQ1<27>	DQ1<28>	DQ1<30>	CE1	VE	VCC3	AD<8>	VSS2	AD<15>	AD<18>	DQ2<6>	DQ2<11>	DQ2<15>	DQ2<20>	VSS2	VCC1	VCC2	VCC1	VSS2	VSS1	B	
C	VSS2	VCC2	VCC3	VCC1	DQ1<7>	DQ1<11>	DQ1<15>	DQ1<18>	DQ1<23>	DQ1<26>	VSS2	VSS1	AD<1>	CLK_OUT	ADVLD	AD<7>	AD<11>	AD<14>	AD<17>	DQ2<5>	DQ2<10>	DQ2<14>	DQ2<19>	DQ2<23>	DQ2<26>	DQ2<28>	VSS2	VCC1	VCC3	C	
D	VSS2	VSS1	DQ1<1>	VCC1	DQ1<4>	DQ1<10>	DQ1<14>	VCC1	DQ1<22>	VCC1	CE2	DE	AD<0>	AD<3>	AD<5>	VCC3	AD<10>	AD<13>	DQ2<2>	DQ2<4>	DQ2<9>	VCC3	DQ2<18>	DQ2<22>	DQ2<25>	VCC1	VSS1	DQ2<31>	VCC1	D	
E	VCC1	VCC2	DQ1<0>	DQ1<4>	VCC1	DQ1<8>	VCC3	DQ1<18>	DQ1<21>	DQ1<25>	DQ1<28>	VCC3	VSS2	AD<2>	AD<4>	AD<6>	AD<9>	DQ2<0>	DQ2<1>	DQ2<3>	DQ2<6>	DQ2<13>	DQ2<17>	DQ2<21>	VCC1	VSS2	DQ2<29>	DQ2<30>	VCC3	E	
F	VSS2	VSS1	RXFRAM	DQ1<3>	DQ1<5>		DQ1<13>	DQ1<17>	DQ1<20>												DQ2<7>	DQ2<12>	DQ2<16>		DQ2<24>	DQ2<27>	RDAT<0>	RDAT<1>	VCC3	F	
G	VCC1	VCC2	VREF	DQ1<2>	VCC3	DQ1<8>																		RDAT<2>	RDAT<3>	VSS2	RDAT<4>	RDAT<5>	VSS2	G	
H	VCC1	RXD<1>	RXD<0>	RXCLK3	SOMETH	LFI																		RDAT<6>	RDAT<7>	RDAT<8>	VCC3	RDAT<9>	VCC3	H	
J	VSS1	RXD<6>	RXD<5>	RXD<4>	RXD<3>	RXD<2>																		RDAT<10>	RDAT<11>	RDAT<12>	RDAT<13>	RDAT<14>	VSS2	J	
K	RXD<10>	RXD<9>	VSS1	RXD<8>	RXD<7>																				RDAT<15>	RDAT<16>	RDAT<17>	RDAT<18>	VCC3	K	
L	VCC1	RXD<14>	RXD<13>	RXD<12>	RXD<11>																				RDAT<19>	RDAT<20>	RDAT<21>	RDAT<22>	RDAT<23>	L	
M	VSS1	RXD<17>	RXD<16>	RXD<15>	VREF																				RDAT<24>	RDAT<25>	RDAT<26>	RDAT<27>	RDAT<28>	M	
N	RXD<21>	RXCLK	RXD<20>	RXD<19>	RXD<18>																				RDAT<29>	RDAT<30>	RDAT<31>	RADD<0>	RADD<1>	N	
P	VSS1	RXD<24>	RXD<23>	VREF	RXD<22>																				RADD<2>	RADD<3>	RADD<4>	RADD<5>	VSS2	P	
R	VSS2	RXD<27>	TXCLKIN	RXD<26>	RXD<25>																				RADD<6>	RADD<7>	RADD<8>	RADD<9>	VCC3	R	
T	VCC5	TXD<30>	TXD<31>	RXD<28>	RXD<28>																				RPRTY	RPRTY	RSDI<0>	REOP	VSS2	T	
U	TXD<28>	TXD<29>	VREF	RXD<31>	RXD<30>																				RSX	RCA	TDAT<0>	RENB	RVAL	U	
V	VCC5	TXD<24>	TXD<25>	TXD<26>	TXD<27>																				TDAT<4>	TDAT<5>	RFCLK	TDAT<2>	TDAT<1>	V	
W	VSS2	TXCLKOUT	TXD<21>	TXD<22>	TXD<23>																				TDAT<9>	TDAT<8>	TDAT<7>	TDAT<6>	TDAT<5>	W	
Y	TXD<18>	TXD<19>	TXD<20>	VCC5	VSS2																				TDAT<13>	TDAT<12>	TDAT<11>	TDAT<10>	VCC3	Y	
AA	VCC5	TXD<13>	TXD<14>	TXD<15>	TXD<16>	TXD<17>																			TDAT<18>	TDAT<17>	TDAT<16>	TDAT<15>	TDAT<14>	VSS2	AA
AB	VCC5	TXD<8>	TXD<9>	TXD<10>	TXD<11>	TXD<12>																			TDAT<22>	VCC2	TDAT<21>	TDAT<20>	TDAT<19>	VCC3	AB
AC	VSS2	TXD<3>	TXD<4>	TXD<5>	TXD<6>	TXD<7>																			TDAT<27>	TDAT<26>	TDAT<25>	TDAT<24>	TDAT<23>	VSS2	AC
AD	VCC5	TXD<0>	TXD<1>	TXD<2>	SOMETH<2>	PAROUT	RPOHST	TDO	TMS													STPA	TMOD<1>	TEOP		TDAT<30>	TDAT<29>	VSS1	TDAT<28>	VCC2	AD
AE	VSS2	VCC1	TXFRAM	POHSDO	VCC5	CLK16MH	VSS2	TOHSDIN	SYSCLK	TEST<0>	POB<0>	MODE	CPUAD<2>	CPUAD<2>	CPUAD<2>	CPUAD<2>	CPUAD<1>	CPUAD<1>	CPUAD<1>	CPUAD<1>	CPUAD<1>	CPUAD<1>	CPUAD<1>	CPUAD<1>	CPUAD<1>	CPUAD<1>	CPUAD<1>	CPUAD<1>	CPUAD<1>	AE	
AF	VSS2	VSS1	VSS2	VCC1	RE1STR0	CLK2MH	TE2STR0	TRST	TCK	CPUCLK	CHIPSEL	CPUAD<3>	VCC2	CPUAD<2>	CPUAD<2>	CPUAD<2>	CPUAD<1>	CPUAD<1>	CPUAD<1>	CPUAD<1>	CPUAD<1>	CPUAD<1>	CPUAD<1>	CPUAD<1>	CPUAD<1>	CPUAD<1>	CPUAD<1>	CPUAD<1>	CPUAD<1>	AF	
AG	VCC3	VCC5	VCC3	TOHSDO	RE2STR0	VSS1	RSTOUT	POHSDIN	TEST<1>	TDI	CPUWRD	CPUAD<3>	SCAN_EN	CPUSEL	CPUAD<2>	CPUAD<2>	CPUAD<1>	CPUAD<1>	CPUAD<1>	CPUAD<1>	CPUAD<1>	CPUAD<1>	CPUAD<1>	CPUAD<1>	CPUAD<1>	CPUAD<1>	CPUAD<1>	CPUAD<1>	CPUAD<1>	AG	
AH	VSS2	VSS2	VCC1	VSS1	TPOHST1	TE1STR0	VSS1	VCC2	VSS1	VSS1	TEST<2>	CPUURST	CPUBLAS	CPUAD<2>	CPUAD<2>	VSS1	CPUAD<1>	CPUAD<1>	CPUAD<1>	CPUAD<1>	CPUAD<1>	CPUAD<1>	CPUAD<1>	CPUAD<1>	CPUAD<1>	CPUAD<1>	CPUAD<1>	CPUAD<1>	CPUAD<1>	AH	
AJ	VSS1	VSS1	VSS2	VCC1	VCC3	VCC3	VSS2	VSS2	VSS2	VCC3	VSS1	VSS1	CPU<S_N	VSS2	VCC3	VSS2	CPUAD<1>	VSS2	CPUAD<1>	VCC3	VSS2	VCC3	VSS2	VCC3	VSS2	VCC3	VSS1	VSS1	VSS2	VSS1	AJ

CY7C9536B (POSIC2GVC)
Bottom View

Pin Description

Signal Name	I/O	Pad Type	Pins	JTAG	Pin Description
Line Interface Signals					
RXFRAME_PULSE	I	HSTL/LVTTL /LVPECL	1	N	Optional frame pulse input for line interface. Active HIGH.
TXFRAME_PULSE	O	HSTL/LVTTL	1	N	Frame pulse output for line interface. Active HIGH.
RXD[31:0]	I	HSTL/LVTTL /LVPECL	32	N	32-bit single ended receive data bus for SONET/SDH link. This bus can be configured as two 16-bit buses in APS operation.
RXCLK	I	HSTL/LVTTL /LVPECL	1	N	Receive clock input from the PHY device for line interface.
RXCLKs	I	HSTL/LVTTL /LVPECL	1	N	Receive clock input from the Slave PHY device for SONET/SDH link to support APS.
TXCLKOUT	O	HSTL/LVTTL	1	N	Transmit Clock to physical layer device for line interface. This will be RXCLK or the TXCLKI based on the clock selection in the SONET Tx block register. During loopback this is same as the RXCLK.
TXCLKI	I	HSTL/LVTTL /LVPECL	1	N	Input transmit clock from physical layer device for line interface.
TXD[31:0]	O	HSTL/LVTTL	32	N	32-bit single ended transmit data bus for line interface. This bus can be configured as two 16-bit buses in APS operation.
SONETTX_PAROUT	O	HSTL/LVTTL	1	N	SONET Tx Parity Output. Can be ODD/EVEN parity, as programmed in the SONET/SDH Tx block register.
SONETRX_PARIN	I	HSTL/LVTTL /LVPECL	1	N	SONET Rx Parity Input. Can be ODD/EVEN parity, as programmed in the SONET/SDH Rx block register.
LFI_n	I	LVTTTL	1	Y	Line fault indicator. When LOW, this signal indicates that the PHY has detected Loss of Optical signal on the SONET/SDH link.
Overhead Bytes Access—Serial Ports					
Clk2MHz	O	LVTTTL	1	Y	TOH Serial Port Clock Output. TOHDout is clocked out on rising edge of this clock and TOHDin is latched-in with falling edge of this clock. The frequency is 2.048 MHz, derived from SysClk.
Clk16MHz	O	LVTTTL	1	Y	POH Serial Port Clock Output. POHDout is clocked out on rising edge of this clock and POHDin is latched-in with falling edge of this clock. The frequency is 16.625 MHz, derived from SysClk
TE1STROBE	O	LVTTTL	1	Y	Transmit E1 Strobe. Transmit TOH serial port data start indication. Active HIGH pulse generated once in every 125 ms. Indicates the first bit of E1 Byte.
TE2STROBE	O	LVTTTL	1	Y	Transmit E2 Strobe. Active HIGH pulse generated once in every 125 ms. Indicates the first bit of E2 Byte.
TPOHSTART	O	LVTTTL	1	Y	Transmit POH Serial Port Data Start Indication. Active HIGH pulse generated once in every 125 ms.
TOHSDIN	I	LVTTTL	1	Y	Transport over head serial port data input.
POHSDIN	I	LVTTTL	1	Y	Path over head serial port data input.
RE1STROBE	O	LVTTTL	1	Y	Receive E1 Strobe. Receive TOH serial port data start indication. Active HIGH pulse generated once in every 125 ms. Indicates that the POSIC2GVC expects the first bit of the first byte of E1 should accompany the next clock edge. MSB is transmitted first.
RE2STROBE	O	LVTTTL	1	Y	Receive E2 Strobe. Active HIGH pulse generated once in every 125 ms. Indicates that the POSIC2GVC expects the first bit of the first byte of E2 should accompany the next clock edge. MSB is transmitted first.
RPOHSTART	O	LVTTTL	1	Y	Receive POH Serial Port Data Start Indication. Active HIGH pulse generated once in every 125 ms. Indicates that the POSIC2GVC expects the first bit of the first byte of RPOH should accompany the next clock edge.
TOHSDOUT	O	LVTTTL	1	Y	Transport over head serial port data output.

Pin Description (continued)

Signal Name	I/O	Pad Type	Pins	JTAG	Pin Description
POHSDOUT	O	LVTTTL	1	Y	Path over head serial port data output.
System Interface (OIF-SPI level 3/UTOPIA level 3/HBST) signals (in this section, POS = OIF - SPI Level 3, ATM = Utopia level 3 mode)					
RVAL	O	LVTTTL	1	N	<p>POS: Receive Data Valid (RVAL) signal. RVAL indicates the validity of receive data signals. RVAL will transition LOW when receive FIFO is empty or at the end of a packet. When RVAL is HIGH, the RDAT[31:0], RPRTY, RMOD[1:0], RSOP, REOP, and RERR signals are valid. When RVAL is LOW, the RDAT[31:0], RPRTY, RMOD[1:0], RSOP, REOP, and RERR signals are invalid and must be disregarded.</p> <p>HBST: Receive Data Valid (RDVAL) signal. The RDATA, RBVAL, RSOP, REOP, RERR, and RADDR are valid when this signal is active.</p>
RENB	I	LVTTTL	1	N	<p>POS: Receive Read Enable (RENB) signal. The RENB signal is used to control the flow of data from the receive FIFOs. During data transfer, RVAL must be monitored as it will indicate if the RDAT[31:0], RPRTY, MOD[1:0], RSOP, REOP, RERR and RSX are valid. The system may deassert RENB at anytime if it is unable to accept data from POSIC2GVC. When RENB is sampled LOW by POSIC2GVC, a read is performed from the receive FIFO and the RDAT[31:0], RPRTY, RMOD[1:0], RSOP, REOP, RERR, RSX and RVAL signals are updated on the following rising edge of RFCLK. When RENB is sampled HIGH by POSIC2GVC, a read is not performed and the RDAT[31:0], RPRTY, RMOD[1:0], RSOP, REOP, RERR, RSX and RVAL signals will not be updated.</p> <p>ATM: Enable data transfers (RxENb*) signal Enables port selection.</p> <p>HBST: Receive Data Ready (RREADY_n) signal Active LOW signal, indicates ready to accept data. The device will send valid data 2 clocks after the assertion of this signal.</p>
RFCLK	I	LVTTTL	1	N	<p>POS: Receive FIFO Write Clock (RFCLK). RFCLK is used to synchronize data transfer transactions between the LINK Layer device and the POSIC2GVC. RFCLK may cycle at a rate up to 100 MHz.</p> <p>ATM: Transfer/interface clock (RxClk)</p> <p>HBST: Receive Clock (RCLK). Max 104 MHz Receive Clock for level-3 operation. All signals are latched out on the rising edge of this clock.</p>

Pin Description (continued)

Signal Name	I/O	Pad Type	Pins	JTAG	Pin Description
RDAT[31:0]	O	LVTTTL	32	N	<p>POS: Receive Packet Data Bus (RDAT[31:0]) The RDAT[31:0] bus carries the packet octets that are read from the receive FIFO and the in-band port address of the selected receive FIFO. RDAT[31:0] is considered valid only when RVAL is asserted. Given the defined data structure, bit 31 is received first and bit 0 is received last.</p> <p>ATM: Receive Cell Data Bus (RxData[31:0]) The RDAT[31:0] bus carries the Cell octets that are read from the receive FIFO. RDAT[31:0] is considered valid only when RENB is asserted. Given the defined data structure, bit 31 is received first and bit 0 is received last RDAT[31:0] is updated on the rising edge of RCLK. This bus is big-endian in format.</p> <p>HBST: Receive Data Bus (RDATA[31:0]) 32-bit Data Bus, the data is valid when RDVAL signal is active.</p>
RADD[7:0]	O	LVTTTL	8	N	<p>HBST: Receive Port Address (RADDR[7:0]). When RDVAL signal is active, this address on this bus indicates port address in RADDR[3:0] and tag value in RADDR[7:4]. In single-channel mode all 8 bits will contain the tag value. RADDR is considered valid only when RDVAL is asserted</p>
RMOD[1:0]	O	LVTTTL	2	N	<p>POS: Receive Word Modulo (RMOD[1:0]) signal. RMOD[1:0] indicates the number of valid bytes of data in RDAT[31:0]. The RMOD bus should always be all zero, except during the last double-word transfer of a packet on RDAT[31:0]. When REOP is asserted, the number of valid packet data bytes on RDAT[31:0] is specified by RMOD[1:0] RMOD[1:0] = "00" RDAT[31:0] valid RMOD[1:0] = "01" RDAT[31:8] valid RMOD[1:0] = "10" RDAT[31:16] valid RMOD[1:0] = "11" RDAT[31:24] valid RMOD[1:0] is considered valid only when RVAL is asserted. In 16-bit mode, only RMOD[0] is valid. RMOD[0] = "1" RDAT[15:8] valid (16-bit mode) RMOD[0] = "0" RDAT[15:0] valid (16-bit mode)</p> <p>HBST: Receive Data Byte Valid (RBVAL[1:0]) signals. This indicates the number of bytes data bytes valid on the RDATA bus, 00 = 4 bytes valid, 11 = 1 byte valid.</p>
RPRTY	O	LVTTTL	1	N	<p>POS: Receive Parity (RPRTY) signal. The receive parity (RPRTY) signal indicates the parity calculated over the RDAT bus. RPRTY supports both odd and even parity.</p> <p>ATM: Receive Parity (RxPrty) signal. Data bus odd parity.</p> <p>HBST: Receive bus parity (RPARITY) signal. Receive bus parity, Even/Odd parity calculated on the data bus alone or on all the bus signals (RDATA, RADDR, RDVAL, RBVAL, RSOP, REOP, RERR).</p>

Pin Description (continued)

Signal Name	I/O	Pad Type	Pins	JTAG	Pin Description
RERR	O	LVTTTL	1	N	<p>POS: Receive error indicator (RERR) signal. RERR is used to indicate that the current packet is aborted and should be discarded. RERR shall only be asserted when REOP is asserted. Conditions that can cause RERR to be set may be, but are not limited to, FIFO overflow, abort sequence detection and FCS error. RERR is considered valid only when RVAL is asserted.</p> <p>HBST: Receive error indicator (RERR) signal. A HIGH indicates the current packet or cell has error.</p>
REOP	O	LVTTTL	1	N	<p>POS: Receive End Of Packet (REOP) signal. REOP is used to delineate the packet boundaries on the RDAT bus. When REOP is HIGH, the end of the packet is present on the RDAT bus. REOP is required to be present at the end of every packet and is considered valid only when RVAL is asserted.</p> <p>HBST: End of Packet/cell (REOP) signal. A high indicates the end of packet or cell.</p>
RSOP/RSOC	O	LVTTTL	1	N	<p>POS: Receive Start of Packet (RSOP) signal. RSOP is used to delineate the packet boundaries on the RDAT bus. When RSOP is HIGH, the start of the packet is present on the RDAT bus. RSOP is required to be present at the start of every packet and is considered valid when RVAL is asserted.</p> <p>ATM: Receive start of cell (RxSOC). This signal marks the start of a cell structure on the RxData bus. The first word of the cell structure is present on the RxData[31:0] bus when RxSOC is HIGH. RxSOC is updated on the rising edge of RxClk.</p> <p>HBST: Receive Start of Packet/cell (RSOP) signal. A HIGH indicates start of packet or start of cell.</p>
RCA	O	LVTTTL	1	N	<p>ATM: UTOPIA Receive Cell Available (RxClav). RxClav will be asserted, whenever a minimum of 1 cell of data is available in the Receive FIFO.</p> <p>HBST: Receive FIFO available (RSTFA) signal. RSTFA indicates when data is available in the receive FIFO. RSTFA will be asserted, whenever receive FIFO has at least predefined number of bytes to be read (the number of bytes is user program-mable). RSTFA is updated on the rising edge of RCLK.</p>
RSX	O	LVTTTL	1	N	<p>POS: Receive start of transfer signal. RSX indicates when the in-band port address is present on the RDAT bus. When RSX is HIGH and RVAL is LOW, the value of RDAT[7:0] is the address of the receive FIFO to be selected by POSIC2GVC. Subsequent data transfers on the RDAT bus will be from the port as specified by the in band address.</p>

Pin Description (continued)

Signal Name	I/O	Pad Type	Pins	JTAG	Pin Description
TFCLK	I	LVTTTL	1	N	<p>POS: Transmit FIFO Write Clock (TFCLK). TFCLK is used to synchronize data transfer transactions between the LINK Layer device and POSIC2GVC. TFCLK may cycle at a rate up to 100 MHz.</p> <p>ATM: Transfer/interface clock (TxClk).</p> <p>HBST: Transmit Clock (TCLK). Max 104 MHz Transmit Clock for level-3 operation. All transmit signals are sampled on rising edge of the clock.</p>
TERR	I	LVTTTL	1	N	<p>POS: Transmit Error Indicator (TERR) signal. TERR is used to indicate that the current packet should be aborted. When TERR is set HIGH, the current packet is aborted. TERR should only be asserted when TEOP is asserted.</p> <p>HBST: Transmit Error Indicator (TERR) signal. A HIGH indicates the current packet or cell has error.</p>
TENB	I	LVTTTL	1	N	<p>POS: Transmit Write Enable (TENB) signal. The TENB signal is used to control the flow of data to the transmit FIFOs. When TENB is HIGH, the TDAT, TMOD, TSOP, TEOP, and TERR signals are invalid and are ignored by POSIC2GVC. The TSX signal is valid and is processed by POSIC2GVC when TENB is HIGH. When TENB is LOW, the TDAT, TMOD, TSOP, TEOP and TERR signals are valid and are processed by POSIC2GVC. Also, the TSX signal is ignored by POSIC2GVC when TENB is LOW.</p> <p>ATM: Transmit write enable (TxEnb*). This signal is an active LOW input which is used to initiate writes to the transmit FIFOs. When TxEnb* is sampled HIGH, the information sampled on the TxData, TxPrty, and TxSOC signals are invalid. When TxEnb* is sampled LOW, the information sampled on the TxData, TxPrty, and TxSOC signals are valid and are written into the transmit FIFO. TxEnb* is sampled on the rising edge of TxClk.</p> <p>HBST: Transmit Data Valid (TDVAL_n) signal. The TDVAL_n signal is used to control the flow of data to the transmit FIFOs. When TDVAL_n is HIGH, the TDATA, TBVAL, TSOP, TADDR, TSOP, TEOP, and TERR signals are valid and are processed by POSIC2GVC.</p>

Pin Description (continued)

Signal Name	I/O	Pad Type	Pins	JTAG	Pin Description
TDAT[31:0]	I		32	N	<p>POS: Transmit Packet Data Bus (TDAT) bus. This bus carries the packet octets that are written to the selected transmit FIFO and the in-band port address to select the desired transmit FIFO. The TDAT bus is considered valid only when TENB is simultaneously asserted. Data is transmitted in big endian order on TDAT[31:0]. Given the defined data structure, bit 31 is transmitted first and bit 0 is transmitted last.</p> <p>ATM: Transmit Data Bus (TxData) bus. This data bus carries the ATM cell. Data on this bus is valid only if TxEnb* is HIGH. TxData[31:0] is three-stated if TxEnb* is LOW. TxData[31:0] is updated on the rising edge of TxClk.</p> <p>HBST: Transmit Data Bus (TDATA) bus. 32-bit Data bus. The data is valid when TDVAL_n signal is active.</p>
TPRTY	I	LVTTTL	1	N	<p>POS: Transmit bus parity (TPRTY) signal. The transmit parity (TPRTY) signal indicates the parity calculated over the TDAT bus. TPRTY is considered valid only when TENB is asserted. TPRTY is supported for both even and odd parity.</p> <p>ATM: Transmit bus parity (TxPrty). This signal indicates the parity on the TxData bus. A parity error is indicated by a status bit and a maskable interrupt. TxPrty is considered valid only when TxEnb* is simultaneously asserted. TxPrty is sampled on the rising edge of TxClk.</p> <p>HBST: Transmit bus parity (TPARITY) signal. Even/Odd parity calculated on the data bus alone or on all the bus signals (TDATA, TADDR, TDVAL_n, TBVAL, TSOP, TEOP, and TERR).</p>
TADD[3:0]	I	LVTTTL	4	N	<p>POS: Transmit address bus (PTADR) bus. Address driven by Link layer to poll and select the appropriate POSIC2GVC channel (port). The value for the Transmit and Receive portions of a channel should be identical. Address 31 indicates a null port.</p> <p>ATM: Transmit address bus (TxAddr) bus. Address of POSIC2GVC channel being selected.</p> <p>HBST: Port Address (TADDR) bus. Address driven by the Link Layer to indicate the port address of current data transfer.</p>

Pin Description (continued)

Signal Name	I/O	Pad Type	Pins	JTAG	Pin Description
TMOD[1:0]	I	LVTTTL	2	N	<p>POS: Transmit Word Modulo (TMOD[1:0]) signal. TMOD[1:0] indicates the number of valid bytes of data in TDAT[31:0]. The TMOD bus should always be all zero, except during the last double-word transfer of a packet on TDAT[31:0]. When TEOP is asserted, the number of valid packet data bytes on TDAT[31:0] is specified by TMOD[1:0]. TMOD[1:0] = "00" TDAT[31:0] valid TMOD[1:0] = "01" TDAT[31:8] valid TMOD[1:0] = "10" TDAT[31:16] valid TMOD[1:0] = "11" TDAT[31:24] valid In 16-bit mode, only TMOD[0] is valid. TMOD[0] = "1" TDAT[15:8] valid (16-bit mode) TMOD[0] = "0" TDAT[15:0] valid (16-bit mode)</p> <p>HBST: Transmit byte valid (TBVAL[1:0]) signals. This indicates the number of bytes data bytes on the TDATA bus, 00 = 4 bytes valid, 11 = 1 byte valid.</p>
TSOP	I	LVTTTL	1	N	<p>POS: Transmit Start of Packet (TSOP) signal. TSOP is used to delineate the packet boundaries on the TDAT bus. When TSOP is HIGH, the start of the packet is present on the TDAT bus. TSOP is required to be present at the beginning of every packet and is considered valid only when TENB is asserted.</p> <p>ATM: Transmit start of cell (TxSOC) signal. This signal marks the start of a cell structure on the TxData bus. TxSOC must be present for each cell. TxSOC is considered valid only when TxEnb* is simultaneously asserted. TxSOC is sampled on the rising edge of TxClk.</p> <p>HBST: Transmit Start of Packet (TSOP) signal. A high indicates the start of packet or start of cell.</p>
TEOP	I	LVTTTL	1	N	<p>POS: Transmit End of Packet (TEOP) signal. TEOP is used to delineate the packet boundaries on the TDAT bus. When TEOP is HIGH, the end of the packet is present on the TDAT bus. TEOP is required to be present at the end of every packet and is considered valid only when TENB is asserted.</p> <p>HBST: Transmit End of Packet (TEOP) signal. A HIGH indicates the end of packet or end of cell.</p>
DTCA[3:0]	O	LVTTTL	4	N	<p>POS: Transmit Packet Available (DTPA) bus. This signal provides direct status indication the fill status of the transmit FIFO. Note that, regardless of what fill level TPA is set to indicate "full" at, the transmit packet processor can store 256 bytes of data. When DTPA transitions HIGH, it indicates that the transmit FIFO has enough room to store a configurable number of data bytes. This transition level is selected in the CPU programmable registers. When TPA transitions LOW, it indicates that the transmit FIFO is either full or near full as specified by the CPU programmable registers. DTPA is updated on the rising edge of TFCLK.</p> <p>HBST: Polled FIFO available Status (TFAST) bus. When the signal TSOFAST is active, the status of channels 0,4,8,12 is given first followed by 1,5,9,13 and 2,6,10,14 and the last 3,7,11,15.</p>

Pin Description (continued)

Signal Name	I/O	Pad Type	Pins	JTAG	Pin Description
STPA	O	LVTTTL	1	N	<p>POS: Selected Channel Transmit Packet Available (STPA) signal. STPA transitions HIGH when a predefined minimum number of bytes are available in the selected transmit FIFO. Once HIGH, STPA indicates that transmit FIFO is not full. When STPA transitions LOW, it optionally indicates that transmit FIFO is full or near full (user programmable). STPA always provides status indication for the selected channel in order to avoid FIFO overflows while polling is performed. STPA is three-stated when TENB is deasserted in the previous cycle. STPA is also deasserted when either the null-port address (0x1F) or an address not matching the POSIC2GVC address is presented on the TADR[3:0] signals when TENB is sampled HIGH (has been de-asserted during the previous clock cycle). STPA is mandatory only if packet-level transfer mode is supported. It is not be driven in byte-level mode.</p> <p>ATM: There is no corresponding pin definition in ATM mode, however, this pin will output the same signal as STPA in POS mode</p> <p>HBST: FIFO Available Status (TSTFA) signal. FIFO available status of the selected port is reflected on this pin two clocks after detecting the port address when the TDVAL signal is active.</p>
PTCA	O	LVTTTL	1	N	<p>POS: Polled-Port Transmit Packet Available (PTPA) signal. PTPA transitions HIGH when a predefined (user-programmable) minimum number of bytes are available in the polled transmit FIFO. Once HIGH, PTPA indicates that the transmit FIFO is not full. When PTPA transitions LOW, it optionally indicates that transmit FIFO is full or near full (user-programmable). PTPA allows polling the POSIC2GVC channel selected by TADR[3:0] when TENB is asserted. PTPA is driven by a POSIC2GVC when its address is polled by TADR[3:0]. POSIC2GVC will three-state PTPA when either the null-port address (0x1F) or an address not matching POSIC2GVC is provided on TADR[3:0]. PTPA is mandatory only if in packet-level transfer mode. It will not be driven in byte-level mode.</p> <p>ATM: UTOPIA Transmit Cell Available (TxClav) The TxClav signal indicates when a cell is available in the transmit FIFO for the port polled by TxAddr[3:0] when TxEnb* is asserted. When HIGH, TxClav indicates that the corresponding transmit FIFO is not full and a complete cell may be written. When TxClav goes LOW, it can be configured to indicate either that the corresponding transmit FIFO is near full or that the corresponding transmit FIFO is full. TxClav is three-stated when either the null-Port address (0x1F) or an address not matching the address space set is latched from the TxAddr[4:0] inputs when TxEnb* is HIGH. TxClav is updated on the rising edge of TxClk.</p> <p>HBST: FIFO Available status on TFAST bus (TSOFST) signal. Active HIGH pulse indicates the start of FIFO available status on TFAST bus. This signal is repeated once in every four clocks.</p>
TSX	I	LVTTTL	1	N	<p>POS: Transmit Start of Transfer (TSX) signal. TSX indicates inband port address on the TDAT bus. When TENB is HIGH and TSX is asserted (HIGH), the value of TADR[3:0] is the address of transmit FIFO selected. TSX is valid only when TENB is deasserted.</p>

Pin Description (continued)

Signal Name	I/O	Pad Type	Pins	JTAG	Pin Description
Memory Interface for Virtual Concatenation					
AD [18:0]	O	LVTTTL	19	N	Synchronous Address Inputs Used to address up to six 512k x 36 NoBL™ SRAMs. Sampled at the rising edge of the CLK.
WE	O	LVTTTL	1	N	Synchronous Write Enable Input, active LOW. This must be sampled on the rising edge of CLK if CEN is active LOW. This signal must be asserted LOW to initiate a write sequence
ADV/LD	O	LVTTTL	1	N	Synchronous Advance/Load Input This pin is used to advance the on-chip (SRAM's) address counter or load a new address. When HIGH (and CEN is asserted LOW) the internal burst counter of SRAM is advanced. When LOW, a new address is loaded into the SRAM for an access. After being deselected, ADV/LD should be driven LOW in order to load a new address.
CE1	O	LVTTTL	1	N	Synchronous Chip Enable 1, active LOW. Sampled on the rising edge of CLK. Used to select/deselect first bank of the NoBL memory.
CE2	O	LVTTTL	1	N	Synchronous Chip Enable 2, active LOW. Sampled on the rising edge of CLK. Used to select/deselect second bank of the NoBL memory.
CE3	O	LVTTTL	1	N	Synchronous Chip Enable 3, active LOW. Sampled on the rising edge of CLK. Used to select/deselect third bank of the NoBL memory.
OE	O	LVTTTL	1	N	Asynchronous Output Enable, permanently active LOW. This pin is internally grounded to the VSS2 bus. The pin should be connected to the OEN input of the NoBL memories, or alternatively, left unconnected if the NoBL OEN input is directly grounded on the board.
DQ1[31:0]	I/O	LVTTTL	32	N	Synchronous Bidirectional Data I/O lines for SRAM1. As inputs to SRAM, these pins feed into a data register that is triggered by the rising edge of CLK. As outputs from SRAM, they deliver the data contained in the memory location specified by A [18:0] during the previous clock rise of the read cycle. When OE is asserted LOW, the pins can behave as outputs from SRAM. When HIGH, DQ1 [31:0] are placed in a three-state condition by the SRAM. The outputs are automatically three-stated during the data portion of a write sequence, during the first clock when emerging from a deselected state, and when the device is deselected, regardless of the state of OE.
DQ2 [31:0]	I/O	LVTTTL	32	N	Synchronous Bidirectional Data I/O lines for SRAM2. As inputs to SRAM, these pins feed into a data register that is triggered by the rising edge of CLK. As outputs from SRAM, they deliver the data contained in the memory location specified by A [18:0] during the previous clock rise of the read cycle. When OE is asserted LOW, the pins can behave as outputs from SRAM. When HIGH, DQ2 [31:0] are placed in a three-state condition by the SRAM. The outputs are automatically three-stated during the data portion of a write sequence, during the first clock when emerging from a deselected state, and when the device is deselected, regardless of the state of OE.
CPU Interface Signals					
CpuClk	I	LVTTTL	1	Y	CPU Clock.
CpuSel	I	LVTTTL	1	Y	Used to select between Intel and Motorola CPU. '0' = Motorola, '1' = Intel
CpuTs_n/CpuAds_n	I	LVTTTL	1	Y	Transfer Start. Active LOW
CpuWrRd	I	LVTTTL	1	Y	Write/Read Signal. In Intel mode, active HIGH for write operation. In Motorola mode, active LOW for write operation.

Pin Description (continued)

Signal Name	I/O	Pad Type	Pins	JTAG	Pin Description
CpuTa_n	O	LVTTTL	1	Y	Transfer Acknowledge/Data Ready. Active low. Open Drain Output
CpuBlast_n / CpuBdip_n	I	LVTTTL	1	Y	Used with Burst Transaction. Active LOW.
CpuInt/	O	LVTTTL	1	Y	Interrupt to CPU. Active LOW.
CpuClkFail	O	LVTTTL	1	Y	CPU Clock Fail Signal. When LOW indicates failure of CPU clock.
CpuAD[31:0]	I/O	LVTTTL	32	Y	Address/Data Bus.
ChipSel	I	LVTTTL	1	Y	The chip select signal for POSIC2GVC. Active Low.
Mode	I	LVTTTL	1	Y	32-/16-bit mode select. '0' = 32-bit mode, '1' otherwise.
JTAG Interface Signals					
TCK	I	LVTTTL	1		JTAG Mode: Test clock
TRST	I	LVTTTL	1		JTAG Mode: Test reset
TDI	I	LVTTTL	1		JTAG Mode: Test input
TMS	I	LVTTTL	1		JTAG Mode: Test mode Select. Pull-down to GND during normal operation.
TDO	O	LVTTTL	1		JTAG Mode: Test Output
Miscellaneous Signals					
VREF	I	VREF	4	N	Reference Voltage for HSTL and LVPECL inputs. Set to GND during LVTTTL mode of operation.
RST_n	I	LVTTTL	1	Y	Active LOW asynchronous reset input.
SYSClk	I	LVTTTL	1	N	133-MHz System Clock.
CLKOUT	O	LVTTTL	1	N	SYSClk Out. Used as CLK for the Virtual Concatenation memories
RSTOUT_n	O	LVTTTL	1	Y	Reset Out, active low.
TEST[2:0]	I	LVTTTL	3	Y	Test Mode selection signals. Pull-up to '1' during normal operation.
SCAN_ENA	I	LVTTTL	1	Y	SCAN ENABLE pin. Active High. Pull-down to '0' for normal operation
POSIC_OEN	I	LVTTTL	1	Y	The POSIC2GVC Output Enable (POSIC_OEN) signal. When set to logic one, all POSIC2GVC outputs (except CpuTa_n and CLKOUT) are held three-state. When POSIC_OEN is set to logic zero, all interfaces are enabled. Pull-down to '0' for normal operation.
Total IO Pins			336		
Power: VCC Pad+Core	P		85		
Power: GND Pad+Core	P		83		
TOTAL			504		I/Os: 336; Power: 168

Pin Assignment
Pin Assignment Table

Signal	Ball	Pin Type
RDAT<0>	F3	LVTTTL_OUT
RDAT<1>	F2	LVTTTL_OUT
RDAT<10>	J6	LVTTTL_OUT
RDAT<11>	J5	LVTTTL_OUT
RDAT<12>	J4	LVTTTL_OUT
RDAT<13>	J3	LVTTTL_OUT
RDAT<14>	J2	LVTTTL_OUT
RDAT<15>	K5	LVTTTL_OUT
RDAT<16>	K4	LVTTTL_OUT
RDAT<17>	K3	LVTTTL_OUT
RDAT<18>	K2	LVTTTL_OUT
RDAT<19>	L5	LVTTTL_OUT
RDAT<2>	G6	LVTTTL_OUT
RDAT<20>	L4	LVTTTL_OUT
RDAT<21>	L3	LVTTTL_OUT
RDAT<22>	L2	LVTTTL_OUT
RDAT<23>	L1	LVTTTL_OUT
RDAT<24>	M5	LVTTTL_OUT
RDAT<25>	M4	LVTTTL_OUT
RDAT<26>	M3	LVTTTL_OUT
RDAT<27>	M2	LVTTTL_OUT
RDAT<28>	M1	LVTTTL_OUT
RDAT<29>	N5	LVTTTL_OUT
RDAT<3>	G5	LVTTTL_OUT
RDAT<30>	N4	LVTTTL_OUT
RDAT<31>	N3	LVTTTL_OUT
RDAT<4>	G3	LVTTTL_OUT
RDAT<5>	G2	LVTTTL_OUT
RDAT<6>	H6	LVTTTL_OUT
RDAT<7>	H5	LVTTTL_OUT
RDAT<8>	H4	LVTTTL_OUT
RDAT<9>	H2	LVTTTL_OUT
RADD<0>	N2	LVTTTL_OUT
RADD<1>	N1	LVTTTL_OUT
RADD<2>	P5	LVTTTL_OUT
RADD<3>	P4	LVTTTL_OUT
RADD<4>	P3	LVTTTL_OUT
RADD<5>	P2	LVTTTL_OUT
RADD<6>	R5	LVTTTL_OUT
RADD<7>	R4	LVTTTL_OUT
RERR	T4	LVTTTL_OUT
RMOD<0>	R2	LVTTTL_OUT
RMOD<1>	R3	LVTTTL_OUT
RPRTY	T5	LVTTTL_OUT
REOP	T2	LVTTTL_OUT
RCA	U4	LVTTTL_OUT



Pin Assignment Table (continued)

Signal	Ball	Pin Type
RSOP/RSOC	T3	LVTTL_OUT
RSX	U5	LVTTL_OUT
RVAL	U1	LVTTL_OUT
RFCLK	V3	LVTTL_IN
RENB	U2	LVTTL_IN
TADD<0>	AE3	LVTTL_IN
TADD<1>	AE4	LVTTL_IN
TADD<2>	AF3	LVTTL_IN
TADD<3>	AG4	LVTTL_IN
TDAT<0>	U3	LVTTL_IN
TDAT<1>	V1	LVTTL_IN
TDAT<10>	Y2	LVTTL_IN
TDAT<11>	Y3	LVTTL_IN
TDAT<12>	Y4	LVTTL_IN
TDAT<13>	Y5	LVTTL_IN
TDAT<14>	AA2	LVTTL_IN
TDAT<15>	AA3	LVTTL_IN
TDAT<16>	AA4	LVTTL_IN
TDAT<17>	AA5	LVTTL_IN
TDAT<18>	AA6	LVTTL_IN
TDAT<19>	AB2	LVTTL_IN
TDAT<2>	V2	LVTTL_IN
TDAT<20>	AB3	LVTTL_IN
TDAT<21>	AB4	LVTTL_IN
TDAT<22>	AB6	LVTTL_IN
TDAT<23>	AC2	LVTTL_IN
TDAT<24>	AC3	LVTTL_IN
TDAT<25>	AC4	LVTTL_IN
TDAT<26>	AC5	LVTTL_IN
TDAT<27>	AC6	LVTTL_IN
TDAT<28>	AD2	LVTTL_IN
TDAT<29>	AD4	LVTTL_IN
TDAT<3>	V4	LVTTL_IN
TDAT<30>	AD5	LVTTL_IN
TDAT<31>	AE2	LVTTL_IN
TDAT<4>	V5	LVTTL_IN
TDAT<5>	W1	LVTTL_IN
TDAT<6>	W2	LVTTL_IN
TDAT<7>	W3	LVTTL_IN
TDAT<8>	W4	LVTTL_IN
TDAT<9>	W5	LVTTL_IN
TERR	AF5	LVTTL_IN
TENB	AE6	LVTTL_IN
TPRTY	AG5	LVTTL_IN
TSOP	AF6	LVTTL_IN
TEOP	AD7	LVTTL_IN
TSX	AG6	LVTTL_IN



Pin Assignment Table (continued)

Signal	Ball	Pin Type
TFCLK	AE7	LVTTL_IN
TMOD<0>	AF7	LVTTL_IN
TMOD<1>	AD8	LVTTL_IN
DTCA<0>	AH6	LVTTL_OUT
DTCA<1>	AE8	LVTTL_OUT
DTCA<2>	AG7	LVTTL_OUT
DTCA<3>	AH7	LVTTL_OUT
STPA	AD9	LVTTL_OUT
PTCA	AG8	LVTTL_OUT
CPUTA_N	AE9	Open Drain Output
CPUCLKFAIL	AH8	LVTTL_OUT
CPUINT	AF9	LVTTL_OUT
CPUAD<0>	AG9	LVTTL_IO
CPUAD<1>	AH9	LVTTL_IO
CPUAD<10>	AJ11	LVTTL_IO
CPUAD<11>	AE12	LVTTL_IO
CPUAD<12>	AF12	LVTTL_IO
CPUAD<13>	AH12	LVTTL_IO
CPUAD<14>	AE13	LVTTL_IO
CPUAD<15>	AF13	LVTTL_IO
CPUAD<16>	AG13	LVTTL_IO
CPUAD<17>	AH13	LVTTL_IO
CPUAD<18>	AJ13	LVTTL_IO
CPUAD<19>	AE14	LVTTL_IO
CPUAD<2>	AE10	LVTTL_IO
CPUAD<20>	AF14	LVTTL_IO
CPUAD<21>	AG14	LVTTL_IO
CPUAD<22>	AE15	LVTTL_IO
CPUAD<23>	AF15	LVTTL_IO
CPUAD<24>	AG15	LVTTL_IO
CPUAD<25>	AH15	LVTTL_IO
CPUAD<26>	AE16	LVTTL_IO
CPUAD<27>	AF16	LVTTL_IO
CPUAD<28>	AH16	LVTTL_IO
CPUAD<29>	AE17	LVTTL_IO
CPUAD<3>	AF10	LVTTL_IO
CPUAD<30>	AF18	LVTTL_IO
CPUAD<31>	AG18	LVTTL_IO
CPUAD<4>	AG10	LVTTL_IO
CPUAD<5>	AH10	LVTTL_IO
CPUAD<6>	AE11	LVTTL_IO
CPUAD<7>	AF11	LVTTL_IO
CPUAD<8>	AG11	LVTTL_IO
CPUAD<9>	AH11	LVTTL_IO
CPUSEL	AG16	LVTTL_IN
MODE	AE18	LVTTL_IN
CPUTS_N	AJ17	LVTTL_IN

Pin Assignment Table (continued)

Signal	Ball	Pin Type
CPUWRD	AG19	LVTTTL_IN
CPUBLAST_N	AH17	LVTTTL_IN
CHIPSEL	AF19	LVTTTL_IN
SCAN_ENA	AG17	LVTTTL_IN
POSIC_OEN	AE19	LVTTTL_IN
CPUCLK	AF20	LVTTTL_IN
RST_N	AH18	LVTTTL_IN
TEST<0>	AE20	LVTTTL_IN
TEST<1>	AG21	LVTTTL_IN
TEST<2>	AH19	LVTTTL_IN
TCK	AF21	LVTTTL_IN
SYSCLK	AE21	LVTTTL_IN
TDI	AG20	LVTTTL_IN
TMS	AD21	LVTTTL_IN
TRST	AF22	LVTTTL_IN
TDO	AD22	LVTTTL_OUT
RSTOUT_N	AG23	LVTTTL_OUT
CLKOUT	C16	LVTTTL_OUT
TOHSDIN	AE22	LVTTTL_IN
POHSDIN	AG22	LVTTTL_IN
TE1STROBE	AH24	LVTTTL_OUT
TE2STROBE	AF23	LVTTTL_OUT
TPOHSTART	AH25	LVTTTL_OUT
RPOHSTART	AD23	LVTTTL_OUT
CLK2MHz	AF24	LVTTTL_OUT
CLK16MHz	AE24	LVTTTL_OUT
RE1STROBE	AF25	LVTTTL_OUT
RE2STROBE	AG25	LVTTTL_OUT
POHSDOUT	AE26	LVTTTL_OUT
TOHSDOUT	AG26	LVTTTL_OUT
TXFRAME_PULSE	AE27	HSTL/LVTTTL_OUT
SONETT _x PAROUT	AD25	HSTL/LVTTTL_OUT
TXD<0>	AD28	HSTL/LVTTTL_OUT
TXD<1>	AD27	HSTL/LVTTTL_OUT
TXD<10>	AB26	HSTL/LVTTTL_OUT
TXD<11>	AB25	HSTL/LVTTTL_OUT
TXD<12>	AB24	HSTL/LVTTTL_OUT
TXD<13>	AA28	HSTL/LVTTTL_OUT
TXD<14>	AA27	HSTL/LVTTTL_OUT
TXD<15>	AA26	HSTL/LVTTTL_OUT
TXD<16>	AA25	HSTL/LVTTTL_OUT
TXD<17>	AA24	HSTL/LVTTTL_OUT
TXD<18>	Y29	HSTL/LVTTTL_OUT
TXD<19>	Y28	HSTL/LVTTTL_OUT
TXD<2>	AD26	HSTL/LVTTTL_OUT
TXD<20>	Y27	HSTL/LVTTTL_OUT
TXD<21>	W27	HSTL/LVTTTL_OUT

Pin Assignment Table (continued)

Signal	Ball	Pin Type
TXD<22>	W26	HSTL/LVTTL_OUT
TXD<23>	W25	HSTL/LVTTL_OUT
TXD<24>	V28	HSTL/LVTTL_OUT
TXD<25>	V27	HSTL/LVTTL_OUT
TXD<26>	V26	HSTL/LVTTL_OUT
TXD<27>	V25	HSTL/LVTTL_OUT
TXD<28>	U29	HSTL/LVTTL_OUT
TXD<29>	U28	HSTL/LVTTL_OUT
TXD<3>	AC28	HSTL/LVTTL_OUT
TXD<30>	T28	HSTL/LVTTL_OUT
TXD<31>	T27	HSTL/LVTTL_OUT
TXD<4>	AC27	HSTL/LVTTL_OUT
TXD<5>	AC26	HSTL/LVTTL_OUT
TXD<6>	AC25	HSTL/LVTTL_OUT
TXD<7>	AC24	HSTL/LVTTL_OUT
TXD<8>	AB28	HSTL/LVTTL_OUT
TXD<9>	AB27	HSTL/LVTTL_OUT
TXCLKOUT	W28	HSTL/LVTTL_OUT
TXCLKI	R27	HSTL/LVTTL/LVPECL_IN
VREF	U27	0.75V/2.0V INPUT
VREF	P26	0.75V/2.0V INPUT
VREF	M25	0.75V/2.0V INPUT
VREF	G27	0.75V/2.0V INPUT
RXCLK	N28	HSTL/LVTT/LLVPECL_IN
RXCLKS	H26	HSTL/LVTTL/LVPECL_IN
RXD<0>	H27	HSTL/LVTTL/LVPECL_IN
RXD<1>	H28	HSTL/LVTTL/LVPECL_IN
RXD<10>	K29	HSTL/LVTTL/LVPECL_IN
RXD<11>	L25	HSTL/LVTTL/LVPECL_IN
RXD<12>	L26	HSTL/LVTTL/LVPECL_IN
RXD<13>	L27	HSTL/LVTTL/LVPECL_IN
RXD<14>	L28	HSTL/LVTTL/LVPECL_IN
RXD<15>	M26	HSTL/LVTTL/LVPECL_IN
RXD<16>	M27	HSTL/LVTTL/LVPECL_IN
RXD<17>	M28	HSTL/LVTTL/LVPECL_IN
RXD<18>	N25	HSTL/LVTTL/LVPECL_IN
RXD<19>	N26	HSTL/LVTTL/LVPECL_IN
RXD<2>	J24	HSTL/LVTTL/LVPECL_IN
RXD<20>	N27	HSTL/LVTTL/LVPECL_IN
RXD<21>	N29	HSTL/LVTTL/LVPECL_IN
RXD<22>	P25	HSTL/LVTTL/LVPECL_IN
RXD<23>	P27	HSTL/LVTTL/LVPECL_IN
RXD<24>	P28	HSTL/LVTTL/LVPECL_IN
RXD<25>	R25	HSTL/LVTTL/LVPECL_IN
RXD<26>	R26	HSTL/LVTTL/LVPECL_IN
RXD<27>	R28	HSTL/LVTTL/LVPECL_IN
RXD<28>	T25	HSTL/LVTTL/LVPECL_IN

Pin Assignment Table (continued)

Signal	Ball	Pin Type
RXD<29>	T26	HSTL/LVTTL/LVPECL_IN
RXD<3>	J25	HSTL/LVTTL/LVPECL_IN
RXD<30>	U25	HSTL/LVTTL/LVPECL_IN
RXD<31>	U26	HSTL/LVTTL/LVPECL_IN
RXD<4>	J26	HSTL/LVTTL/LVPECL_IN
RXD<5>	J27	HSTL/LVTTL/LVPECL_IN
RXD<6>	J28	HSTL/LVTTL/LVPECL_IN
RXD<7>	K25	HSTL/LVTTL/LVPECL_IN
RXD<8>	K26	HSTL/LVTTL/LVPECL_IN
RXD<9>	K28	HSTL/LVTTL/LVPECL_IN
SONETRx_PARIN	H25	HSTL/LVTTL/LVPECL_IN
LFI_n	H24	LVTTL_IN
RXFRAME_PULSE	F27	HSTL/LVTTL/LVPECL_IN
DQ1<0>	E27	LVTTL_IO
DQ1<1>	D27	LVTTL_IO
DQ1<10>	D24	LVTTL_IO
DQ1<11>	C24	LVTTL_IO
DQ1<12>	B24	LVTTL_IO
DQ1<13>	F23	LVTTL_IO
DQ1<14>	D23	LVTTL_IO
DQ1<15>	C23	LVTTL_IO
DQ1<16>	B23	LVTTL_IO
DQ1<17>	F22	LVTTL_IO
DQ1<18>	E22	LVTTL_IO
DQ1<19>	C22	LVTTL_IO
DQ1<2>	G26	LVTTL_IO
DQ1<20>	F21	LVTTL_IO
DQ1<21>	E21	LVTTL_IO
DQ1<22>	D21	LVTTL_IO
DQ1<23>	C21	LVTTL_IO
DQ1<24>	B21	LVTTL_IO
DQ1<25>	E20	LVTTL_IO
DQ1<26>	C20	LVTTL_IO
DQ1<27>	B20	LVTTL_IO
DQ1<28>	E19	LVTTL_IO
DQ1<29>	B19	LVTTL_IO
DQ1<3>	F26	LVTTL_IO
DQ1<30>	B18	LVTTL_IO
DQ1<31>	A18	LVTTL_IO
DQ1<4>	E26	LVTTL_IO
DQ1<5>	F25	LVTTL_IO
DQ1<6>	D25	LVTTL_IO
DQ1<7>	C25	LVTTL_IO
DQ1<8>	G24	LVTTL_IO
DQ1<9>	E24	LVTTL_IO
CE1	B17	LVTTL_OUT
CE2	D19	LVTTL_OUT



Pin Assignment Table (continued)

Signal	Ball	Pin Type
CE3	A17	LVTTL_OUT
WE	B16	LVTTL_OUT
OE	D18	LVTTL_OUT
ADV/LD	C15	LVTTL_OUT
AD<0>	D17	LVTTL_OUT
AD<1>	C17	LVTTL_OUT
AD<10>	D13	LVTTL_OUT
AD<11>	C13	LVTTL_OUT
AD<12>	A13	LVTTL_OUT
AD<13>	D12	LVTTL_OUT
AD<14>	C12	LVTTL_OUT
AD<15>	B12	LVTTL_OUT
AD<16>	A12	LVTTL_OUT
AD<17>	C11	LVTTL_OUT
AD<18>	B11	LVTTL_OUT
AD<2>	E16	LVTTL_OUT
AD<3>	D16	LVTTL_OUT
AD<4>	E15	LVTTL_OUT
AD<5>	D15	LVTTL_OUT
AD<6>	E14	LVTTL_OUT
AD<7>	C14	LVTTL_OUT
AD<8>	B14	LVTTL_OUT
AD<9>	E13	LVTTL_OUT
DQ2<0>	E12	LVTTL_IO
DQ2<1>	E11	LVTTL_IO
DQ2<10>	C9	LVTTL_IO
DQ2<11>	B9	LVTTL_IO
DQ2<12>	F8	LVTTL_IO
DQ2<13>	E8	LVTTL_IO
DQ2<14>	C8	LVTTL_IO
DQ2<15>	B8	LVTTL_IO
DQ2<16>	F7	LVTTL_IO
DQ2<17>	E7	LVTTL_IO
DQ2<18>	D7	LVTTL_IO
DQ2<19>	C7	LVTTL_IO
DQ2<2>	D11	LVTTL_IO
DQ2<20>	B7	LVTTL_IO
DQ2<21>	E6	LVTTL_IO
DQ2<22>	D6	LVTTL_IO
DQ2<23>	C6	LVTTL_IO
DQ2<24>	F5	LVTTL_IO
DQ2<25>	D5	LVTTL_IO
DQ2<26>	C5	LVTTL_IO
DQ2<27>	F4	LVTTL_IO
DQ2<28>	C4	LVTTL_IO
DQ2<29>	E3	LVTTL_IO
DQ2<3>	E10	LVTTL_IO

Pin Assignment Table (continued)

Signal	Ball	Pin Type
DQ2<30>	E2	LVTTL_IO
DQ2<31>	D2	LVTTL_IO
DQ2<4>	D10	LVTTL_IO
DQ2<5>	C10	LVTTL_IO
DQ2<6>	B10	LVTTL_IO
DQ2<7>	F9	LVTTL_IO
DQ2<8>	E9	LVTTL_IO
DQ2<9>	D9	LVTTL_IO
VSS1	A1, B1, AE1, AJ1, AJ2, AG12, A2, D3, AD3, AH4, AJ4, A4, AH5, AH14, C18, AJ18, AJ19, AH20, AH21, B22, AH23, AG24, B25, AH26, B27, K27, AJ28, AF28, A28, D28, F28, A29, B29, J29, M29, P29, AJ29	Core + Input Pin GND
VSS2	G1, J1, P1, T1, AA1, AC1, B2, C3, AJ3, E4, G4, A6, B6, AJ7, AF8, A9, AJ9, A11, AJ12, B13, AJ14, A16, AJ16, E17, C19, A20, AJ21, AJ22, A23, AE23, AJ23, A25, A27, AF27, AJ27, AH28, C29, D29, F29, R29, W29, AC29, AE29, AF29, AH29, Y25	Output Pin GND
V _{CC1}	D1, AF1, AG2, C2, B3, AH3, D4, AF4, B5, E5, AJ5, D20, D22, E25, A26, C26, D26, AF26, AJ26, AH27, AE28, E29, G29, H29, L29	Core Voltage, 1.8V
V _{CC2}	AD1, AG1, AH1, AF2, AH2, AG3, B4, AB5, AE5, A7, A10, A14, AF17, A21, A22, AH22, C28, E28, G28	LVTTL Input Pin Power Supply, 3.3V
V _{CC3}	C1, E1, F1, H1, K1, R1, Y1, AB1, A3, H3, A5, AJ6, A8, D8, AJ8, AJ10, D14, A15, B15, AJ15, E18, A19, AJ20, E23, A24, AJ24, G25, AJ25, B26, C27, AG27, B28, AG29	LVTTL Output Pin Power Supply, 3.3V
V _{CC5}	AE25, AG28, T29, V29, AA29, AB29, AD29, Y26	HSTL Output Pin Power Supply, 1.5V/3.3V

Maximum Ratings

(Above which the useful life may be impaired. For user guide-lines, not tested.)

Operating range specifies temperature and voltage boundary conditions for safe operation of the device. Operation outside these boundary may affect the performance and life of the device.

Table 3. Device Absolute Maximum Ratings

Parameter	Value	Unit
Case Temperature	-40 to 85	°C
Storage Temperature	150	°C
Absolute Maximum Junction Temperature	125	°C
Lead Temperature	220	°C
Supply Voltage V_{CC1} for Core	2.43	V
Supply Voltage V_{CC2} for LVTTTL Inputs	4.785	V
Supply Voltage V_{CC3} for LVTTTL Outputs	4.785	V
Supply Voltage V_{CC5} for HSTL/LVTTTL Outputs	4.785	V
V_{REF}	$V_{CC} + 0.3$	V
All Inputs Values	$V_{CC} + 0.3$	V
Static Discharge Voltage (ESD) from JESD22-A114	>2000	V
Latch-up Current	>200	mA
Maximum output short circuit current for all I/O configurations. ($V_{out} = 0V$) ^[18]	-100	mA

Operating Range

Table 4. Operating Range

Range	Ambient Temperature	V_{CC1}	V_{CC5} (HSTL)	$V_{CC2}, V_{CC3}, V_{CC5}$
Commercial	0°C to +70°C	1.71V to 1.89V	1.425V to 1.575V	3.135V to 3.465V
Industrial	-40°C to +85°C	1.71V to 1.89V	1.425V to 1.575V	3.135V to 3.465V

DC Specifications

Table 5. DC Specifications

Parameter	Description	Test Conditions	Min.	Max.	Unit
V_{CC1}	Power Supply for Core		1.71	1.89	V
V_{CC2}	Power Supply for LVTTTL Inputs		3.135	3.465	V
V_{CC3}	Power Supply for LVTTTL Outputs		3.135	3.465	V
V_{CC5}	Power Supply for HSTL/LVTTTL Outputs		1.425/3.135	1.575/3.465	V
V_{REF} (HSTL)	Reference voltage for HSTL inputs		0.68	0.9	V
V_{REF} (LVPECL)	Reference voltage for LVPECL inputs		$V_{CC2} - 1.4$	$V_{CC2} - 1.2$	V
I_{CC1}	V_{CC1} Supply Current		-	1	A
I_{CC2}	V_{CC2} Supply Current		-	0.1	A
I_{CC3}	V_{CC3} Supply Current	20-pF capacitive load	-	0.75	A
I_{CC5}	V_{CC5} Supply Current for LVTTTL Output	20-pF capacitive load	-	0.28	A
	V_{CC5} Supply Current for HSTL Output	20-pF capacitive load	-	0.017	A
PW ^[19]	Total Chip Power	20-pF capacitive load		4.58	Watt

Note:

18. Not more than one output should be tested at a time. Duration of the short circuit should not exceed 1 second. Tested initially and after any design or process changes that may affect these parameters.

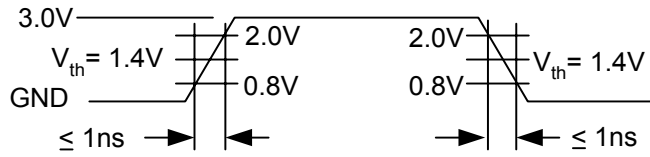
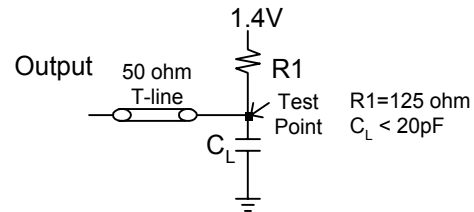
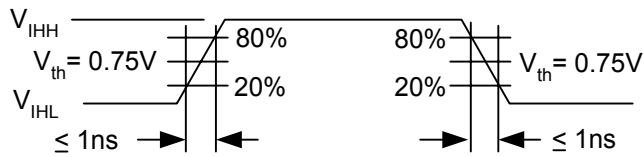
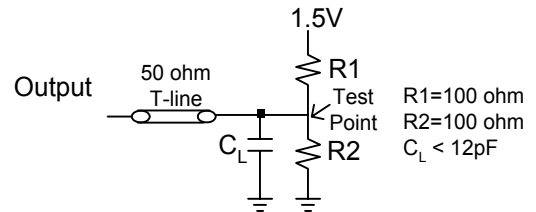
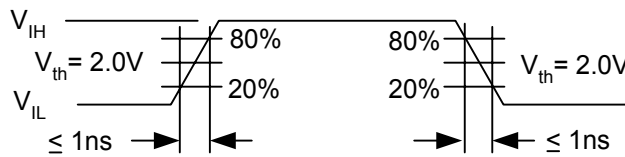
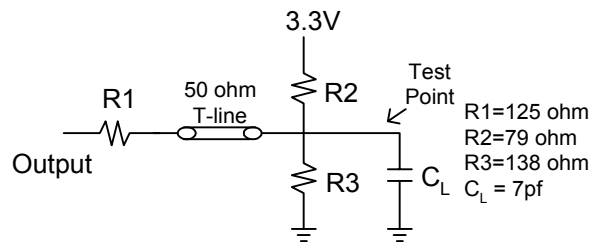
19. Consult factory for Power Consumption with external termination resistors.

Table 5. DC Specifications (continued)

Parameter	Description	Test Conditions	Min.	Max.	Unit
$I_{OS}^{[20]}$	Output Short Circuit Current for all I/O configurations. See note below.	$V_{OUT} = 0V$	-20	-100	mA
LVTTTL I/Os					
V_{OHT}	Output HIGH Voltage	All $V_{CC} = \text{Min.}$ $I_{OH} = -8.0 \text{ mA}$	2.4	-	V
V_{OLT}	Output LOW Voltage	All $V_{CC} = \text{Min.}$ $I_{OL} = 8.0 \text{ mA}$	-	0.4	V
V_{IHT}	Input HIGH Voltage		2.0	$V_{CC2} + 0.3$	V
V_{ILT}	Input LOW Voltage		-0.3	0.8	V
I_{IHT}	Input HIGH Current	All $V_{CC} = \text{Max.}$, $V_{IN} = V_{CC2}$	-	10	μA
I_{ILT}	Input LOW Current	All $V_{CC} = \text{Max.}$, $V_{IN} = 0V$	-	-10	μA
HSTL I/Os					
V_{REF}	Reference Voltage		0.68	0.9	
$V_{OH(DC)}$	Output HIGH Voltage	All $V_{CC} = \text{Min.}$ $I_{OH} = -8.0 \text{ mA}$	$V_{CC5} - 0.4$	-	V
$V_{OL(DC)}$	Output LOW Voltage	All $V_{CC} = \text{Min.}$ $I_{OL} = 8.0 \text{ mA}$	-	0.4	V
$V_{OH(AC)}$	Output HIGH Voltage		$V_{CC5} - 0.5$		V
$V_{OL(AC)}$	Output LOW Voltage		-	0.5	V
$V_{IH(DC)}$	Input HIGH Voltage		$V_{REF} + 0.1$	-	V
$V_{IL(DC)}$	Input LOW Voltage		-	$V_{REF} - 0.1$	V
$V_{IH(AC)}$	Input HIGH Voltage	$V_{CC1} = 1.71V$	$V_{REF} + 0.2$		V
$V_{IL(AC)}$	Input LOW Voltage	$V_{CC1} = 1.89V$	-	$V_{REF} - 0.2$	V
I_{IHH}	Input HIGH Current	All $V_{CC} = \text{Max.}$ $V_{IN} = V_{CC1}$	-	10	μA
I_{ILH}	Input LOW Current	All $V_{CC} = \text{Max.}$ $V_{IN} = 0V$	-	-10	μA
LVPECL Inputs					
V_{REF}	Reference Voltage		$V_{CC2} - 1.4$	$V_{CC2} - 1.2$	V
$V_{IH(DC)}$	Input HIGH Voltage		$V_{CC2} - 1.1$	-	V
$V_{IL(DC)}$	Input LOW Voltage		-	$V_{CC2} - 1.5$	V
$V_{IH(AC)}$	Input HIGH Voltage		$V_{CC2} - 1.0$		V
$V_{IL(AC)}$	Input LOW Voltage		-	$V_{CC2} - 1.6$	V
I_{IHH}	Input HIGH Current	All $V_{CC} = \text{Max.}$ $V_{IN} = V_{CC2}$	-	10	μA
I_{ILH}	Input LOW Current	All $V_{CC} = \text{Max.}$ $V_{IN} = 0V$	-	-10	μA

Note:

20. Not more than one output should be tested at a time. Duration of the short circuit should not exceed 1 second. Tested initially and after any design or process changes that may affect these parameters.

AC Test Loads and Waveform

(a) LvTTL Input Test Waveform

(a) LVTTTL AC Test Load

(b) HSTL Input Test Waveform

(b) HSTL AC Test Load

(c) LVPECL Input Test Waveform

(c) LVPECL-compliant Termination

Reset Requirements

Asserting the RST_n signal will asynchronously reset all sequential elements of POSIC2GVC. Even though the reset is treated as asynchronous signal, it is recommended that a minimum of 1-ms-wide active LOW RST_n is applied after all power supplies have stabilized.

Power-Up Requirements

When HSTL I/O is used, V_{CC1}, V_{CC2}, and V_{CC3} need to be powered up first before V_{CC5} supply. V_{CC5} shall be powered up at least 300ms after the last of the other power supplies.

There is no particular power-up sequence requirements among V_{CC1}, V_{CC2}, and V_{CC3} in this case.

There is no particular power-up sequence requirements among V_{CC1}, V_{CC2}, V_{CC3}, and V_{CC5} if HSTL I/O is not used. RST_n needs to be activated until all the power supplies have stabilized.

AC and Timing Specifications

The POSIC2GVC device interfaces to industry standard peripheral devices or buses. Hence the POSIC2GVC pin timing parameters are governed by the interface requirements of the peripherals or the relevant standards. *Table 6* details the timing requirements.

Table 6. POSIC2GVC Pin Timing Requirements

POSIC2GVC Pin Group	Peripheral Device/Bus Standard	Compatible/Suggested Part Number	Reference/Remarks
Line Interface	16-/8-bit HSTL/single-ended LVPECL interface	CYS25G0101DX	Refer PHY data sheet
Overhead Bytes Access – Serial Ports	LVTTL		Described in this document
Memory Interface	LVTTL	CY7C1370B/C or CY7C1464V33 (min. 200-MHz grade)	Compatible to NoBL™ or equivalent memory chip
System Interface	UTOPIA Level 3/ OIF-SPI Level3 HBST		ATM Forum: BTD-PHY-UL3-01.05 Saturn Group: PMC-980495 Issue Described in this document
Host CPU Interface	16-/32-bit CPU Interface LVTTL	Compatible with Intel/Motorola CPUs	

AC Specifications

Table 7. Line Interface Timing Parameter Values

Parameter	Description	Min.	Max.	Unit
f _{TS} ^[21]	TXCLKOUT, TXCLKI Frequency (must be frequency coherent to RXCLK when used as the transmit PLL clock source). f _{TS} nominal (f _{TSN}) can be 155.52 MHz, 77.76 MHz, 38.88 MHz, 19.44 MHz; depends on the Bus Width and Line Rate used.	f _{TSN} * (1 – 0.65%)	f _{TSN} * (1 + 0.65%)	MHz
t _{TXCLKIP} ^[21]	TXCLKI Period	1/(f _{TS} max.)	1/(f _{TS} min.)	ns
t _{TXCLKID}	TXCLKI Duty Cycle	43	57	%
t _{TXCLKP} ^[21]	TXCLKOUT Period	1/(f _{TS} max.)	1/(f _{TS} min.)	ns
t _{TXCLKD} ^[21]	TXCLKOUT Duty Cycle	40	60	%
t _{TXCLKR} ^[22]	TXCLKOUT Rise Time	0.3	1.5	ns
t _{TXCLKF} ^[22]	TXCLKOUT Fall Time	0.3	1.5	ns
t _{TXDO}	TXD Output Delay after ↑ of TXCLKOUT	0.5	4.5	ns
t _{TXFPO}	TXFRAME_PULSE Output Delay after ↑ of TXCLKOUT	0.5	4.5	ns
t _{PAROUTO}	SONETTX_PAROUT Output Delay after ↑ of TXCLKOUT	0.5	4.5	ns
t _{TXFPW}	TXFRAME_PULSE Width	6	55	ns
f _{RS} ^[21]	RXCLK Frequency f _{RS} nominal (f _{RSN}) can be 155.52 MHz, 77.76 MHz, 38.88 MHz, 19.44 MHz; depends on the Bus Width and Line Rate used.	f _{RSN} * (1 – 0.65%)	f _{RSN} * (1 + 0.65%)	MHz
t _{RXCLKP} ^[21]	RXCLK Period	1/(f _{RS} max.)	1/(f _{RS} min.)	ns
t _{RXCLKOD} ^[21]	RXCLK Duty Cycle	43	57	%
t _{RXCLKR} ^[22]	RXCLK Rise Time	–	1.5	ns

Notes:

21. The parameter is guaranteed by design and is not tested during production.

22. The parameter is guaranteed by characterization and is not tested during production.

Table 7. Line Interface Timing Parameter Values (continued)

Parameter	Description	Min.	Max.	Unit
$t_{RXCLKF}^{[22]}$	RXCLK Fall Time	–	1.5	ns
t_{RXDS}	Recovered Data Set-up to \uparrow of RXCLK	1.5	–	ns
t_{RXDH}	Recovered Data Hold from \uparrow of RXCLK	1.25	–	ns
t_{RXFPS}	RXFRAME_PULSE Set-up to \uparrow of RXCLK	1.5	–	ns
t_{RXFPH}	RXFRAME_PULSE Hold from \uparrow of RXCLK	1.25	–	ns
t_{PARINS}	SONETRX_PARIN Set-up to \uparrow of RXCLK	1.5	–	ns
t_{PARINH}	SONETRX_PARIN Hold from \uparrow of RXCLK	1.25	–	ns

Table 8. OIF-SPI Level 3 Transmit System Interface Timing Parameter Values

Parameter	Description	Min.	Max.	Unit
$f_{TFCLK}^{[21]}$	TFCLK Frequency		104	MHz
$t_{TFCLKD}^{[21]}$	TFCLK Duty Cycle	40	60	%
t_{TENBS}	TENB Set-up time to TFCLK ^[23]	2	–	ns
t_{TENBH}	TENB Hold time to TFCLK ^[24]	0.5	–	ns
t_{TDATS}	TDAT[31:0] Set-up time to TFCLK ^[23]	2	–	ns
t_{TDATH}	TDAT[31:0] Hold time to TFCLK ^[24]	0.5	–	ns
t_{TPRTYS}	TPRTY Set-up time to TFCLK ^[23]	2	–	ns
t_{TPRTYH}	TPRTY Hold time to TFCLK ^[24]	0.5	–	ns
t_{TSOPS}	TSOP Set-up time to TFCLK ^[23]	2	–	ns
t_{TSOPH}	TSOP Hold time to TFCLK ^[24]	0.5	–	ns
t_{TEOPS}	TEOP Set-up time to TFCLK ^[23]	2	–	ns
t_{TEOPH}	TEOP Hold time to TFCLK ^[24]	0.5	–	ns
t_{TERRS}	TERR Set-up time to TFCLK ^[23]	2	–	ns
t_{TERRH}	TERR Hold time to TFCLK ^[24]	0.5	–	ns
t_{TSXS}	TSX Set-up time to TFCLK ^[23]	2	–	ns
t_{TSXH}	TSX Hold time to TFCLK ^[24]	0.5	–	ns
t_{TMODS}	TMOD Set-up time to TFCLK ^[23]	2	–	ns
t_{TMODH}	TMOD Hold time to TFCLK ^[24]	0.5	–	ns
t_{PTADRS}	PTADR Set-up time to TFCLK ^[23]	2	–	ns
t_{PTADRH}	PTADR Hold time to TFCLK ^[24]	0.5	–	ns
t_{DTPAO}	TFCLK HIGH to DTPA Valid ^[25, 26]	1.5	6	ns
t_{STPAO}	TFCLK HIGH to STPA Valid ^[25, 26]	1.5	6	ns
t_{PTCAO}	TFCLK HIGH to PTCA Valid ^[25, 26]	1.5	6	ns

Table 9. OIF-SPI Level 3 Receive System Interface Timing Parameter Values

Parameter	Description	Min.	Max.	Unit
$f_{RFCLK}^{[21]}$	RFCLK Frequency	–	104	MHz
$t_{RFCLKD}^{[21]}$	RFCLK Duty Cycle	40	60	%
$t_{RENB S}$	RENB Set-up time to RFCLK ^[23]	2	–	ns
t_{RENBH}	RENB Hold time to RFCLK ^[24]	0.5	–	ns
t_{RDATD}	RFCLK HIGH to RDAT[31:0] Valid ^[25, 26]	1.5	6	ns
t_{RPRTYD}	RFCLK HIGH to RPRTY Valid ^[25, 26]	1.5	6	ns

Notes:

23. When a set-up time is specified between an input and a clock, the set-up time is the time in nanoseconds from the 1.4V point of the input to the 1.4V point of the clock.
24. When a hold time is specified between an input and a clock, the hold time is the time in the nanoseconds from the 1.4V point of the clock to the 1.4V point of the input.
25. Output propagation delay time is the in nanoseconds from the 1.4V point of the reference signal to the 1.4V point of the output.
26. Maximum output propagation delays are measured with 30-pF load on the inputs.

Table 9. OIF-SPI Level 3 Receive System Interface Timing Parameter Values (continued)

Parameter	Description	Min.	Max.	Unit
t _{RSOPD}	RFCLK HIGH to RSOP Valid ^[25, 26]	1.5	6	ns
t _{REOPD}	RFCLK HIGH to REOP Valid ^[25, 26]	1.5	6	ns
t _{RERRD}	RFCLK HIGH to RERR Valid ^[25, 26]	1.2	6	ns
t _{RMODD}	RFCLK HIGH to RMOD[1:0] Valid ^[25, 26]	1.5	6	ns
t _{RSXD}	RFCLK HIGH to RSX Valid ^[25, 26]	1.5	6	ns

Table 10.UTOPIA Level 3 Receive System Interface Timing Parameter Values

Parameter	Description	Min.	Max.	Unit
f _{RxCik} ^[21]	RxCik Frequency	–	104	MHz
t _{RxCikD} ^[21]	RxCik Duty Cycle	40	60	%
t _{RxEnbS}	RxEnb Set-up Time to RxCik	2	–	ns
t _{RxEnbH}	RxEnb Hold Time to RxCik	0.5	–	ns
t _{RxDatO}	RxCik HIGH to RxData [31:0] Valid	–	6	ns
t _{RxSocO}	RxCik HIGH to RxSoc Valid	–	6	ns
t _{RxPrtyO}	RxCik HIGH to RxPrty Valid	–	6	ns
t _{PxClavO}	RxCik HIGH to RxClav Valid	–	6	ns

Table 11.UTOPIA Level 3 Transmit System Interface Timing Parameter Values

Parameter	Description	Min.	Max.	Unit
f _{TxCik} ^[21]	TxCik Frequency	–	104	MHz
t _{TxCikD} ^[21]	TxCik Duty Cycle	40	60	%
t _{TxEnbS}	TxEnb Set-up Time to TxCik	2	–	ns
t _{TxEnbH}	TxEnb Hold Time to TxCik	0.5	–	ns
t _{TxAddrS}	TxAddr Set-up Time to TxCik	2	–	ns
t _{TxxAddrH}	TxAddr Hold Time to TxCik	0.5	–	ns
t _{TxDatS}	TxDat [31:0] Set-up Time to TfCik	2	–	ns
t _{TxDatH}	TxDat [31:0] Hold Time to TfCik	0.5	–	ns
t _{TxPrtyS}	TxPrty Set-up Time to TfCik	2	–	ns
t _{TxPrtyH}	TxPrty Hold Time to TfCik	0.5	–	ns
t _{TxSocS}	TxSoc Set-up Time to TfCik	2	–	ns
t _{TxSocH}	TxSoc Hold Time to TfCik	0.5	–	ns
t _{PTCAO}	TfCik HIGH to PTCA Valid	–	6	ns

Table 12.HBST Transmit System Interface Timing Parameter Values

Parameter	Description	Min.	Max.	Unit
f _{TCLK} ^[21]	TCLK Frequency	–	104	MHz
t _{TCLKD} ^[21]	TCLK Duty Cycle	40	60	%
t _{TADDRS}	TADDR[3:0] Set-up Time to TCLK	2	–	ns
t _{TADDRH}	TADDR[3:0] Hold Time to TCLK	0.5	–	ns
t _{TDATAS}	TDATA [31:0] Set-up Time to TCLK	2	–	ns
t _{TDATAH}	TDATA [31:0] Hold Time to TCLK	0.5	–	ns
t _{TPARITYS}	TPARITY Set-up Time to TCLK	2	–	ns
t _{TPARITYH}	TPARITY Hold Time to TCLK	0.5	–	ns
t _{TBVALS}	TBVAL[2:0] Set-up Time to TCLK	2	–	ns
t _{TBVALH}	TBVAL[2:0] Hold Time to TCLK	0.5	–	ns
t _{TDVALS}	TDVAL_n Set-up Time to TCLK	2	–	ns

Table 12.HBST Transmit System Interface Timing Parameter Values (continued)

Parameter	Description	Min.	Max.	Unit
t _{TDVALH}	TDVAL_n Hold Time to TCLK	0.5	–	ns
t _{TSOPS}	TSOP Set-up Time to TCLK	2	–	ns
t _{TSOPH}	TSOP Hold Time to TCLK	0.5	–	ns
t _{TEOPS}	TEOP Set-up Time to TCLK	2	–	ns
t _{TEOPH}	TEOP Hold Time to TCLK	0.5	–	ns
t _{TERRS}	TERR Set-up Time to TCLK	2	–	ns
t _{TERRH}	TERR Hold Time to TCLK	0.5	–	ns
t _{TSTFAO}	TCLK HIGH to TSTFA Valid	1.5	6	ns
t _{TSOFSTO}	TCLK HIGH to TSOFST Valid	1.5	6	ns
t _{TFASTO}	TCLK HIGH to TFAST[3:0] Valid	1.5	6	ns

Table 13.HBST Receive System Interface Timing Parameter Values

Parameter	Description	Min.	Max.	Unit
f _{RCLK} ^[21]	RCLK Frequency	–	104	MHz
t _{RCLKD} ^[21]	RCLK Duty Cycle	40	60	%
t _{RREADYYS}	RREADY_n Set-up Time to RCLK	2	–	ns
t _{RREADYD}	RREADY_n Hold Time to RCLK	0.5	–	ns
t _{RDATAO}	RCLK HIGH to RDATA[31:0] Valid	1.5	6	ns
t _{RADDRO}	RCLK HIGH to RADDR[7:0] Valid	1.5	6	ns
t _{RPARITYO}	RCLK HIGH to RPARITY Valid	1.5	6	ns
t _{RSOPO}	RCLK HIGH to RSOP Valid	1.5	6	ns
t _{REOPO}	RCLK HIGH to REOP Valid	1.5	6	ns
t _{RERRO}	RCLK HIGH to RERR Valid	1.2	6	ns
t _{RBVALO}	RCLK HIGH to RBVAL[2:0] Valid	1.5	6	ns
t _{RDVALO}	RCLK HIGH to RDVAL Valid	1.5	6	ns
t _{RSTFAO}	RCLK HIGH to RSTFA Valid	1.5	6	ns

Table 14.Memory Interface Timing

Parameter	Description	Min.	Max.	Unit
t _{CYC} ^[21]	CLKOUT Cycle Time	7.5	–	ns
t _{CLKOUTO} ^[22]	CLKOUT Output Delay after SYSCLK	–	5	ns
t _{CH} ^[21]	CLKOUT HIGH	2.2	–	ns
t _{CL} ^[21]	CLKOUT LOW	2.2	–	ns
t _{CO}	DQ Output Valid after CLKOUT Rise	–	5.5	ns
t _{DOH}	DQ Output Hold after CLKOUT Rise	0.9	–	ns
t _{ADO}	Address Output Delay after CLKOUT Rise	–	5.5	ns
t _{ADOH}	Address Output Hold after CLKOUT Rise	0.9	–	ns
t _{CENO}	CEN Output Delay after CLKOUT Rise	–	5.5	ns
t _{CENOH}	CEN Output Hold after CLKOUT Rise	0.9	–	ns
t _{WEO}	WE Output Delay after CLKOUT Rise	–	5.5	ns
t _{WEOH}	WE Output Hold after CLKOUT Rise	0.9	–	ns
t _{ADVO}	ADV/LD Output Delay after CLKOUT Rise	–	5.5	ns
t _{ADVOH}	ADV/LD Output Hold after CLKOUT Rise	0.9	–	ns
t _{DS}	DQ Input Set-up before CLKOUT Rise	2.8	–	ns
t _{DH}	DQ Input Hold after CLKOUT Rise	0.5	–	ns

Table 15. CPU System Interface Timing Parameter Values

Parameter	Description	Min.	Max.	Unit
$f_{\text{SYSCLK}}^{[21]}$	SYSCLK Frequency	133	133.33 ^[27]	MHz
$t_{\text{SYSCLKD}}^{[21]}$	SYSCLK Duty Cycle	45	55	%
$f_{\text{CpuClk}}^{[21]}$	CpuClk Freq.	–	66	MHz
t_{CpuAdsS}	CpuAds_n Set-up Time to CpuClk	7	–	ns
t_{CpuAdsH}	CpuAds_n Hold Time to CpuClk	2	–	ns
t_{CpuADS}	CpuAD Set-up Time to CpuClk	7	–	ns
t_{CpuADH}	CpuAD Hold Time to CpuClk	2	–	ns
$t_{\text{CpuADZ}}^{[21]}$	CpuAD Float	–	14	ns
t_{CpuADO}	CpuAD Output Delay after CpuClk Rise	–	10.1	
t_{CpuWrRdS}	CpuWrRd Set-up Time to CpuClk	7	–	ns
t_{CpuWrRdH}	CpuWrRd Hold Time to CpuClk	2	–	ns
t_{CpuTaO}	CpuTa_n Valid Delay	–	10.1	ns
$t_{\text{CpuBlastS}}$	CpuBlast_n Set-up to CpuClk	7	–	ns
$t_{\text{CpuBlastH}}$	CpuBlast_n Hold to CpuClk	2	–	ns
t_{CpuSelS}	CpuSel Set-up to CpuClk	7	–	ns
t_{CpuSelH}	CpuSel Hold to CpuClk	2	–	ns
t_{CpuIntO}	CpuInt Valid Delay	–	10.1	ns

Table 16. TOH Serial Interface Receive Timing Parameter Values

Parameter	Description	Min.	Max.	Unit
$t_{\text{Clk2MHzH}}^{[21]}$	Clk2MHz High Period	31	34	SYSCLK cycles
$t_{\text{Clk2MHzL}}^{[21]}$	Clk2MHz Low Period	31	34	SYSCLK cycles
$t_{\text{Clk2MHzR}}^{[22]}$	Clk2MHz Rise Time	–	6	ns
$t_{\text{Clk2MHzF}}^{[22]}$	Clk2MHz Fall Time	–	6	ns
$t_{\text{REPW}}^{[22]}$	RE1STROBE or RE2STROBE Pulse Width	62	67	SYSCLK cycles
t_{REO}	RE1STROBE or RE2STROBE Output Delay after Clk2MHz Rising Edge	–	8	ns
$t_{\text{TOHSDOUTO}}$	TOHSDOUT Output Delay after Clk2MHz Rising Edge	–	8	ns

Table 17. POH Serial Interface Receive Timing Parameter Values

Parameter	Description	Min.	Max.	Unit
$t_{\text{Clk16MHzH}}^{[21]}$	Clk16MHz High Period	3	5	SYSCLK cycles
$t_{\text{Clk16MHzL}}^{[21]}$	Clk16MHz Low Period	3	5	SYSCLK cycles
$t_{\text{Clk16MHzR}}^{[22]}$	Clk16MHz Rise Time	–	6	ns
$t_{\text{Clk16MHzF}}^{[22]}$	Clk16MHz Fall Time	–	6	ns
$t_{\text{RPOHPW}}^{[22]}$	RPOHSTART Pulse Width	7	9	SYSCLK cycles
t_{RPOHO}	RPOHSTART Output Delay after Clk16MHz Rising Edge	–	8	ns
$t_{\text{POHSDOUTO}}$	POHSDOUT Output Delay after Clk16MHz Rising Edge	–	8	ns

Table 18. TOH Serial Interface Transmit Timing Parameter Values

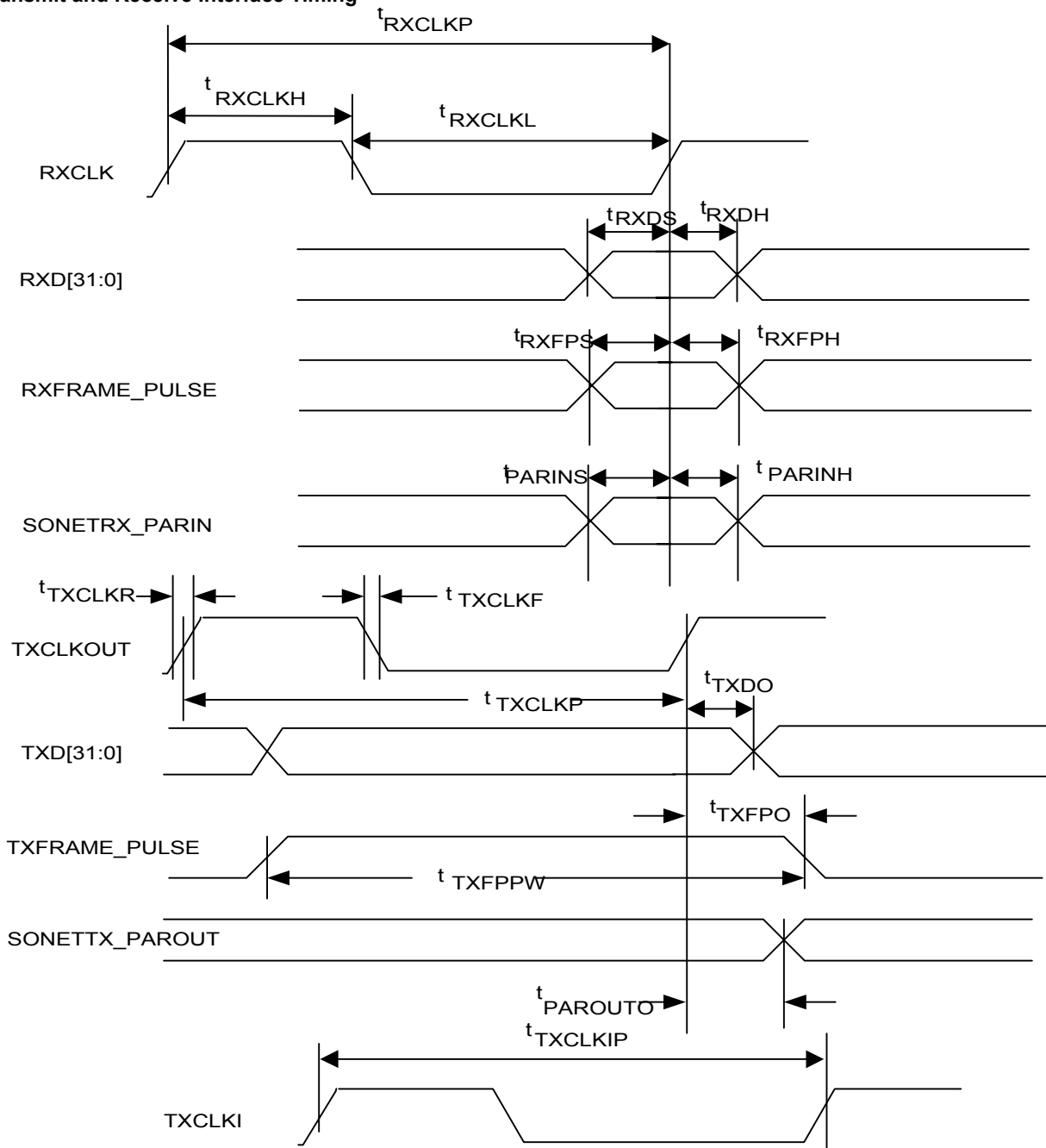
Parameter	Description	Min.	Max.	Unit
$t_{Clk2MHzH}^{[21]}$	Clk2MHz High Period	31	34	SYSCCLK cycles
$t_{Clk2MHzL}^{[21]}$	Clk2MHz Low Period	31	34	SYSCCLK cycles
$t_{Clk2MHzR}^{[22]}$	Clk2MHz Rise Time	–	6	ns
$t_{Clk2MHzF}^{[22]}$	Clk2MHz Fall Time	–	6	ns
$t_{TEPW}^{[22]}$	TE1STROBE or TE2STROBE Pulse Width	62	67	SYSCCLK cycles
t_{TEO}	TE1STROBE or TE2STROBE Output Delay after Clk2MHz Rising Edge	–	8	ns
$t_{TOHSDINS}$	Set-up Time of TOHSDIN before the Falling Edge of Clk2 MHz	50	–	ns
$t_{TOHSDINH}$	Hold Time of TOHSDIN after the Falling Edge of Clk2 MHz	50	–	ns

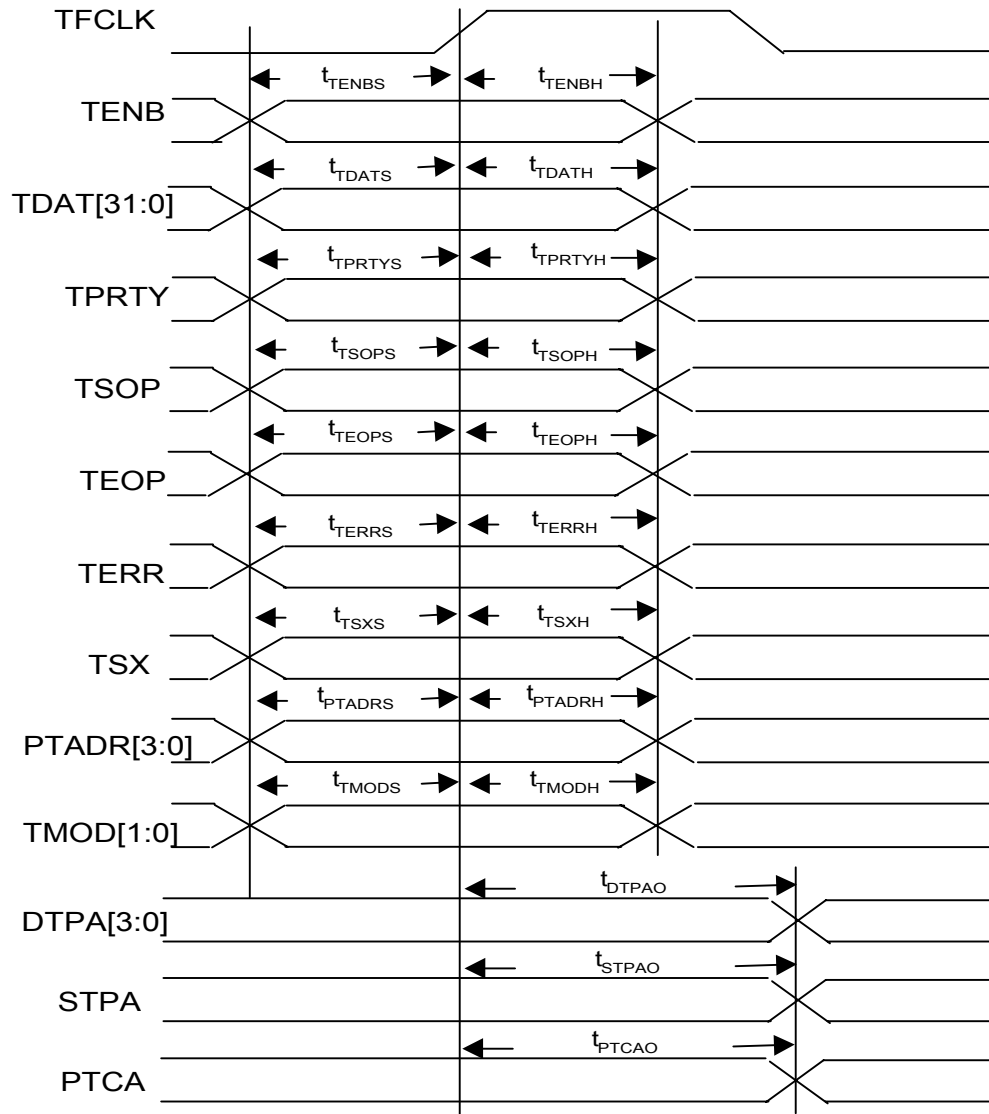
Table 19. POH Serial Interface Transmit Timing

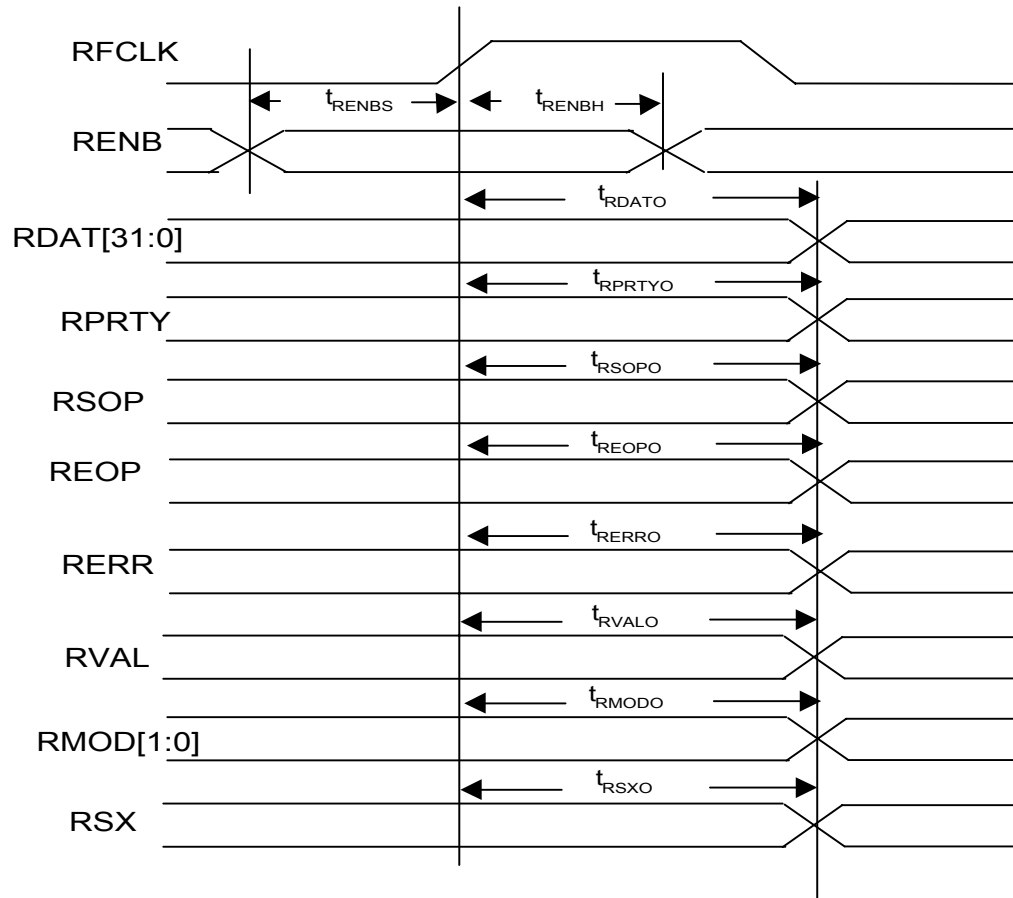
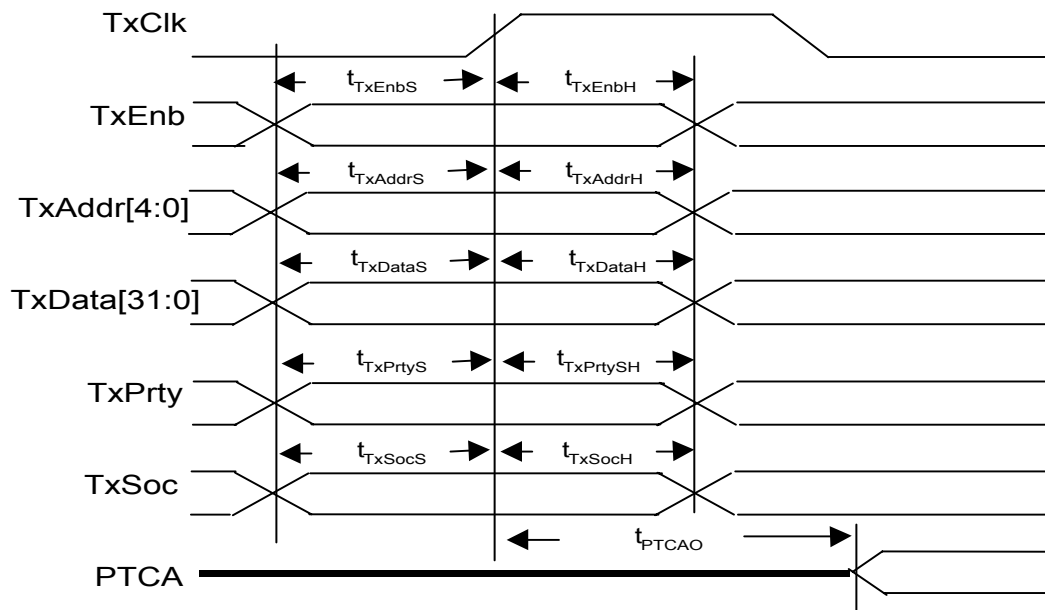
Parameter	Description	Min.	Max.	Unit
$t_{Clk16MHzH}^{[21]}$	Clk16MHz High Period	3	5	SYSCCLK cycles
$t_{Clk16MHzL}^{[21]}$	Clk16MHz Low Period	3	5	SYSCCLK cycles
$t_{Clk16MHzR}^{[22]}$	Clk16MHz Rise Time	–	6	ns
$t_{Clk16MHzF}^{[22]}$	Clk16MHz Fall Time	–	6	ns
$t_{TPOHPW}^{[22]}$	TPOHSTART Pulse Width	7	9	SYSCCLK cycles
t_{TPOHO}	TPOHSTART Output Delay after Rising Edge of Clk16MHz	–	8	ns
$t_{POHSDINS}$	Set-up Time of POHSDIN before Falling Edge of Clk16MHz	20	–	ns
$t_{POHSDINH}$	Hold Time of POHSDIN after Falling Edge of Clk16MHz	20	–	ns

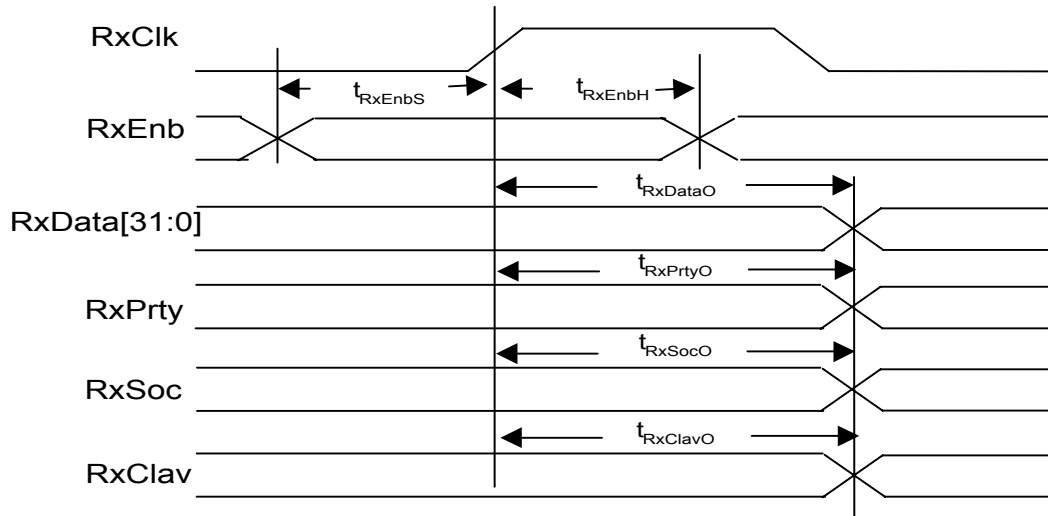
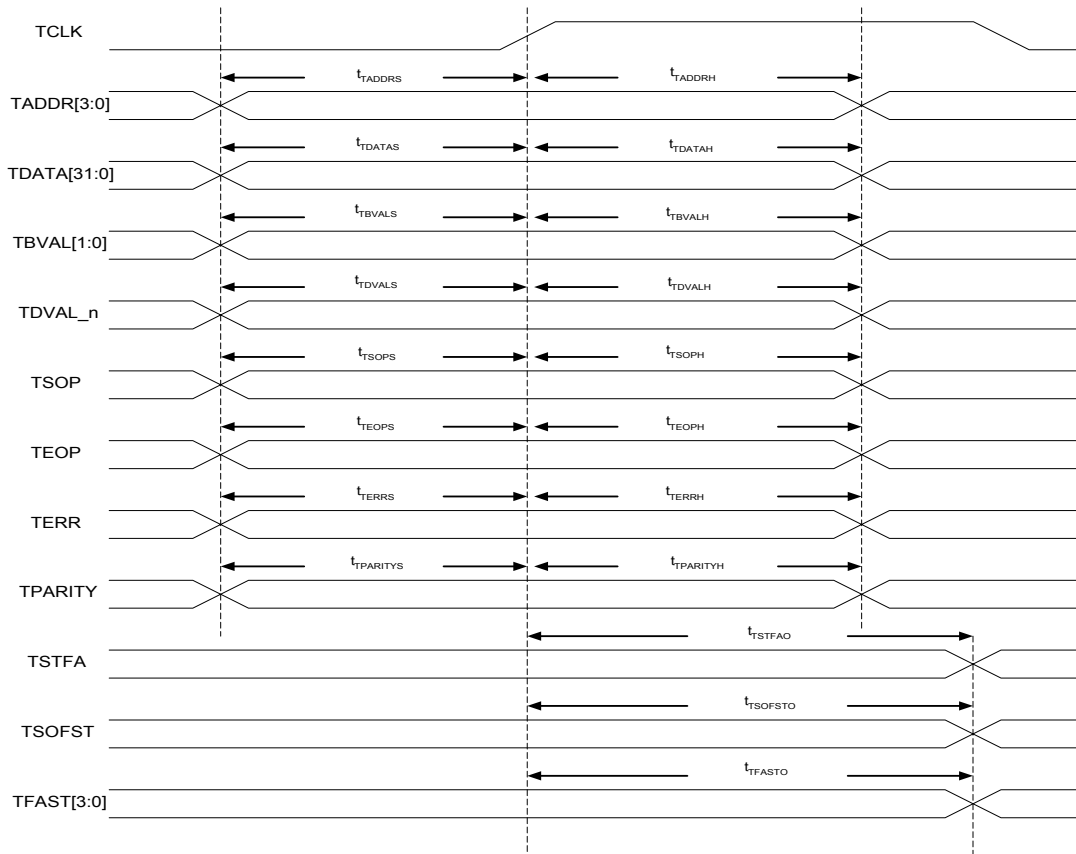
Note:

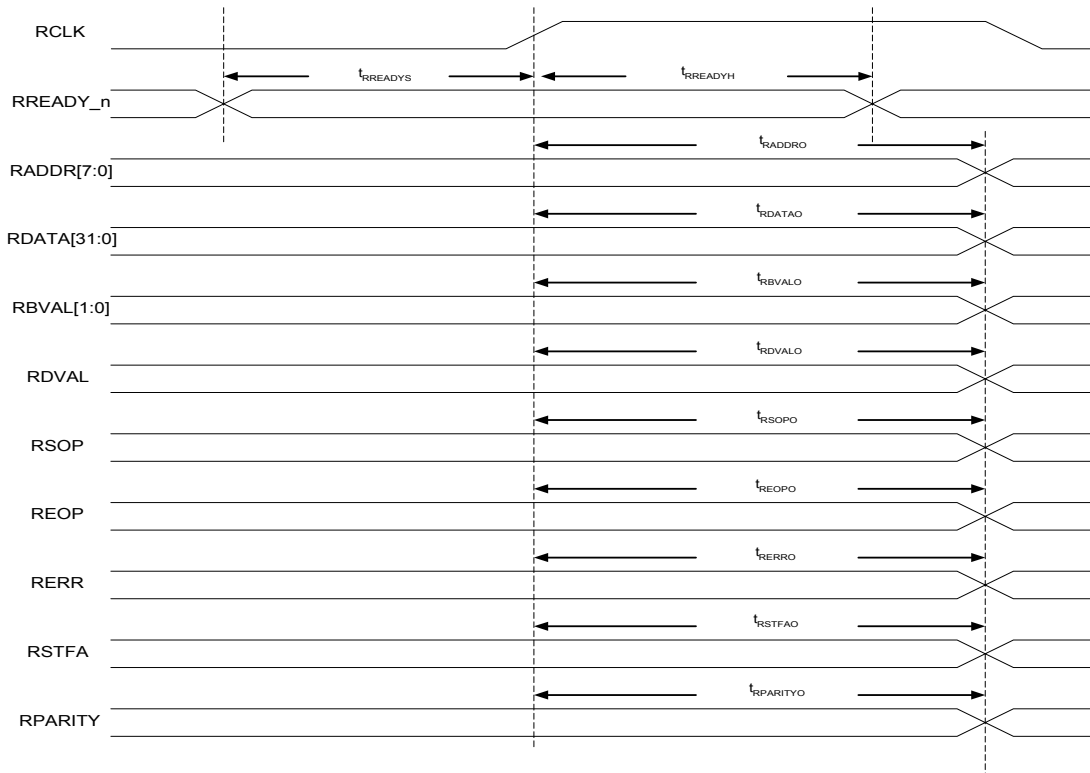
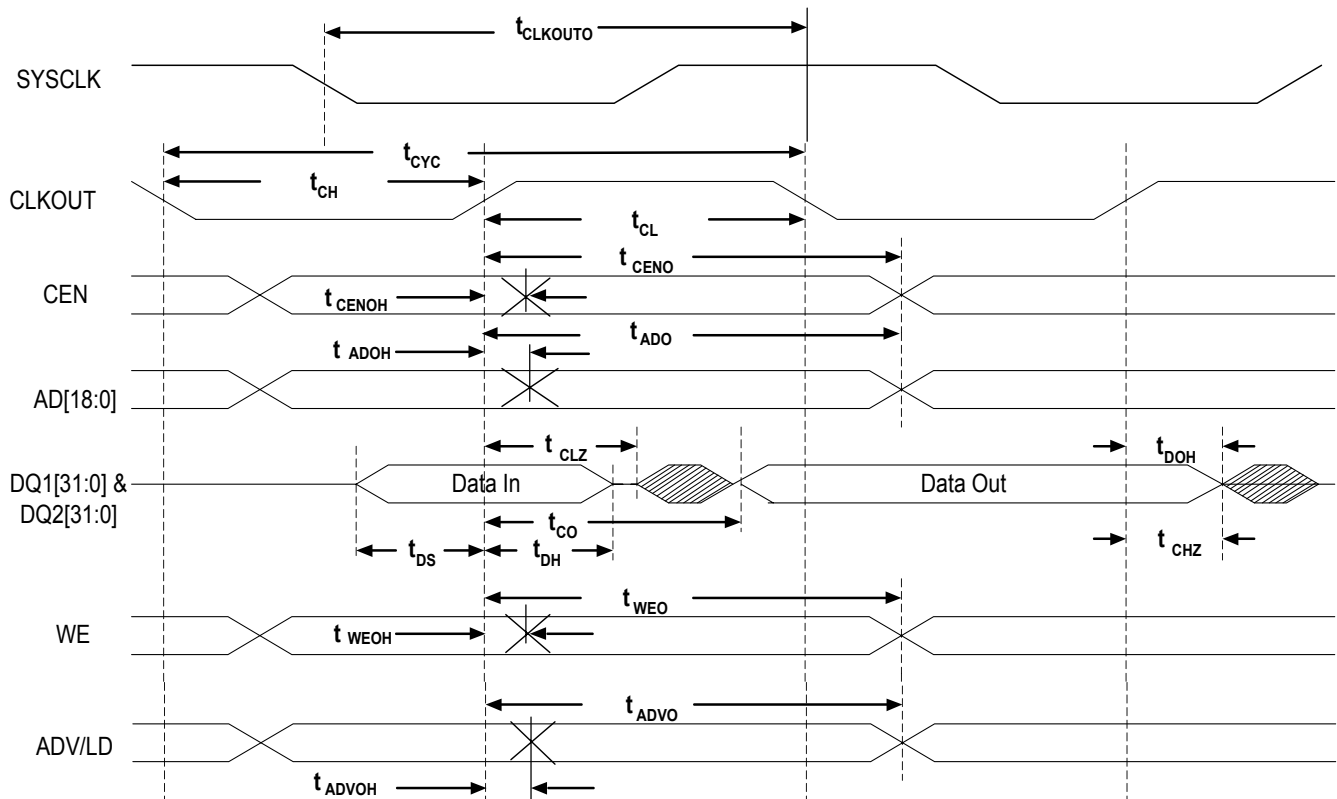
27. All VC mode configurations require a SYSCCLK frequency of 133.33 MHz.

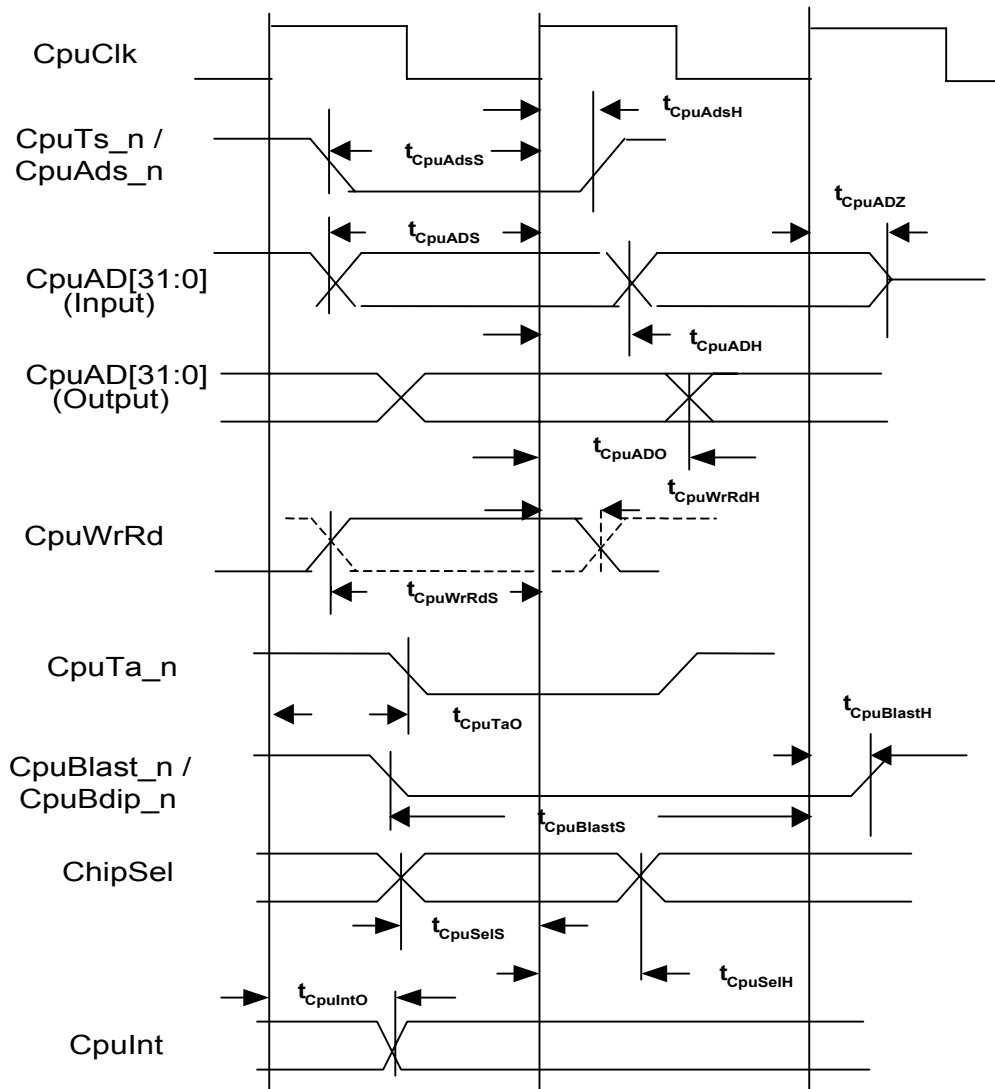
Switching Waveforms
Line Transmit and Receive Interface Timing


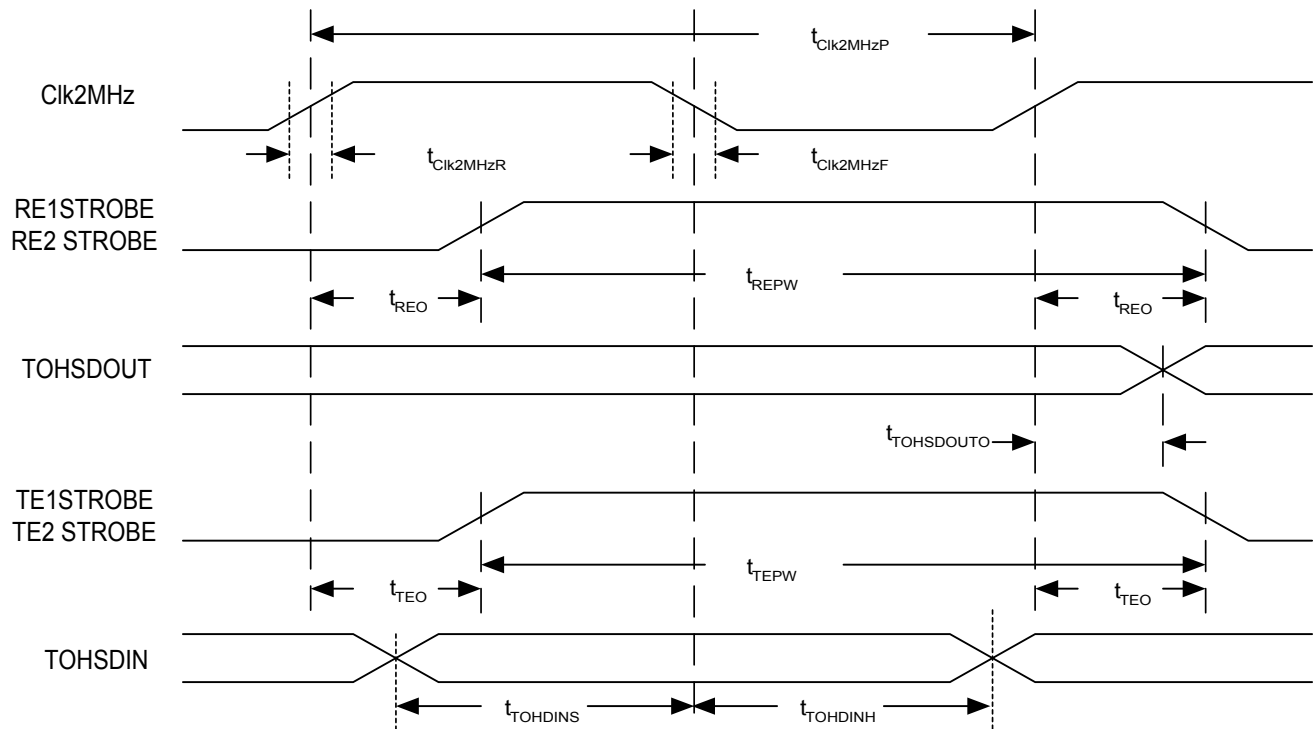
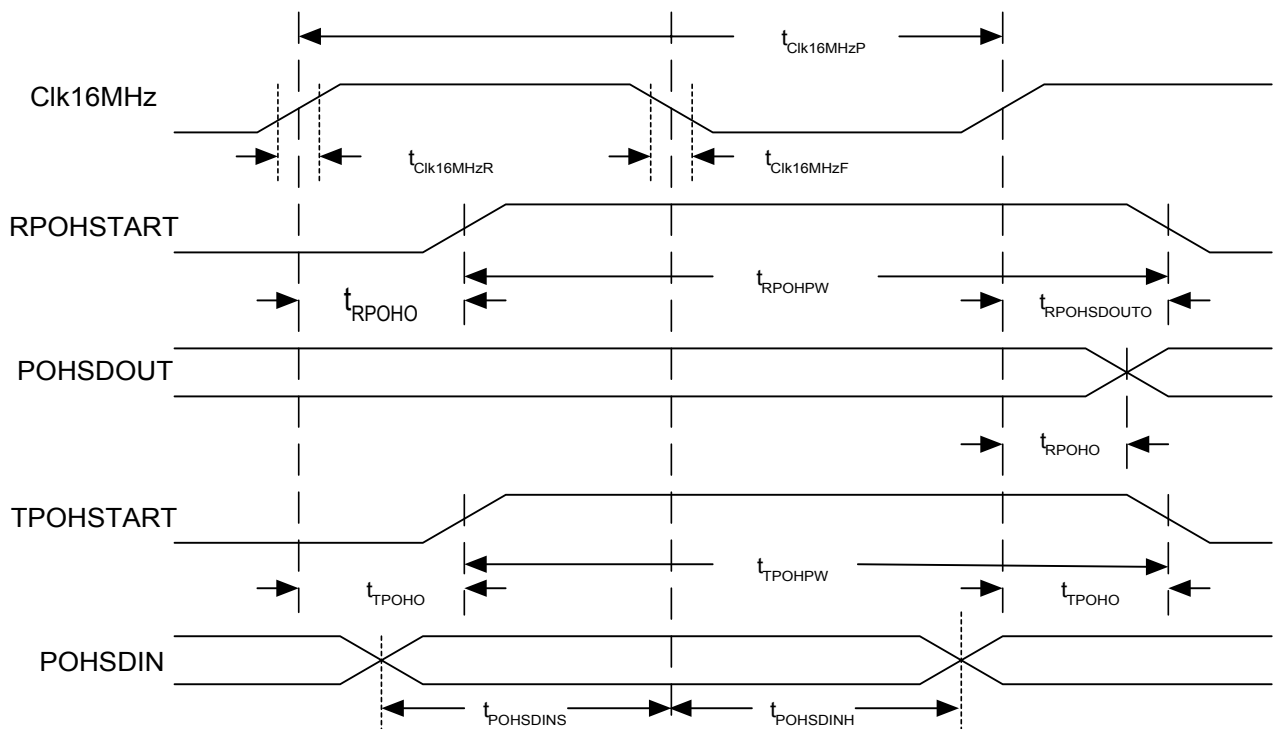
Switching Waveforms (continued)
Transmit OIF-SPI Level 3 System Interface Timing


Switching Waveforms (continued)
Receive OIF-SPI Level 3 System Interface Timing

Transmit UTOPIA Level 3 System Interface Timing


Switching Waveforms (continued)
Receive UTOPIA Level 3 System Interface Timing

Transmit HBST System Interface Timing


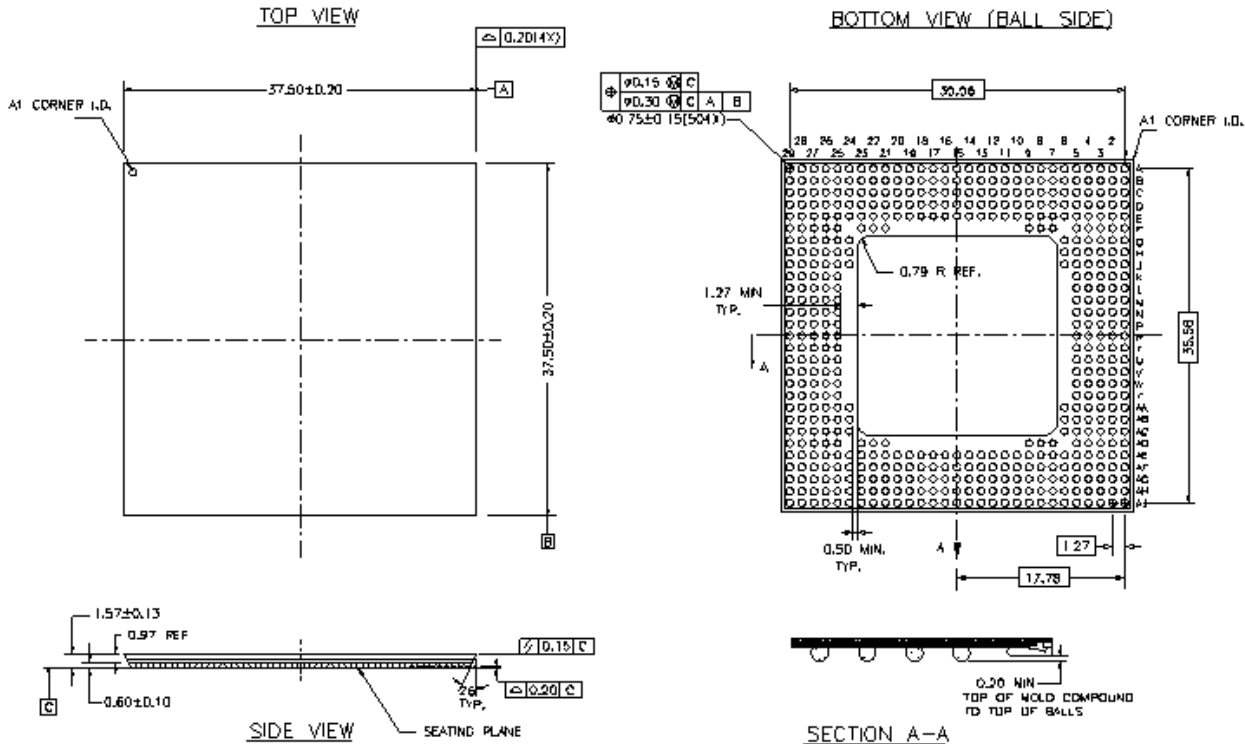
Switching Waveforms (continued)
Receive HBST System Interface Timing

Memory Interface Timing


Switching Waveforms (continued)
CPU System Interface Timing


Switching Waveforms (continued)
TOH Serial Interface Timing

POH Serial Interface Timing


Ordering Information

Speed	Ordering Code	Package Name	Package Type	Operating Range
Standard	CY7C9536B-BLC	504L2BGA	504-pin BGA	Commercial
Standard	CY7C9536B-BLI	504L2BGA	504-pin BGA	Industrial

Package Diagram
504-Lead L2 Ball Grid Array (37.50 x 37.50 x 1.57 mm) BL504


51-85147-°C

Please see Device Manual and errata document for further details on functional descriptions. POSIC2GVC and NoBL are trademarks of Cypress Semiconductor. All product and company names mentioned in this document are the trademarks of their respective holders.

Document History Page

Document Title: CY7C9536B OC-48/STM-16 Framer with VC - POSIC2GVC™				
Document Number: 38-02078				
REV.	ECN No.	Issue Date	Orig. of Change	Description of Change
**	127207	07/03/03	QJL	New Data Sheet
*A	129314	10/17/03	CFK	Clarified PHY connection in POSIC2GVC logic block diagram Added specification references section Changed note 18 to include STSX-1v Added Single POSIC2GVC APS implementation scheme description Removed statement that pin assignment is tentative Added 16-bit mode operation pin description for TMOD and RMOD Clarified that POSIC_OEn signal tri-states all POSIC2GVC outputs Added that SCAN_ENA should be pulled LOW for normal operation Changed CLK_OUT to CLKOUT in pin assignment table Added parameters PW (total chip power) and Ios (output short circuit current) to DC specifications Changed compatible NoBL part number to CY7C1370B/C Corrected notes for parameters guaranteed by design/char Changed tRERRD/tRERRO parameter minimum from 1.5 ns to 1.2 ns Changed tDOH, tADOH, tCENOH, tWEOH, tADVOH from min 0.5 ns to min 0.9 ns Changed fSYSCLK to max 133.33 MHz Updated package name in ordering information table Removed errata section (reference separate errata document) Changed POSIC2GVCB to POSIC2GVC.
*B	130893	12/24/03	CFK	Added note to <i>Table 1</i> (VC bandwidth) and <i>Table 15</i> (SYSCLK timing parameter) to indicate that all VC mode channel configurations require a SYSCLK frequency of 133.33 MHz Changed data sheet to Final status
*C	132897	01/26/04	CFK	No document change. Publish first page to web.
*D	207426	See ECN	CFK	Removed statement that pinout is tentative in Pin Assignment section Updated Table 6 compatible NoBL SRAM part numbers Removed SDL and HDL spec references throughout document Changed Generic Protocol Encapsulator references through document to GFP encapsulator
*E	215296	See ECN	PIR	No content change. Post to web under NDA.
*F	318033	See ECN	QJL	Updated Icc3 from 0.26 to 0.75. Updated Icc5 from 0.1 to 0.28. Updated Icc1 from 2 to 1. Updated power from 4.57 to 4.58. Post web under NDA.
*G	355154	See ECN	QJL	Changed pin description for OE to note tie to VSS2.