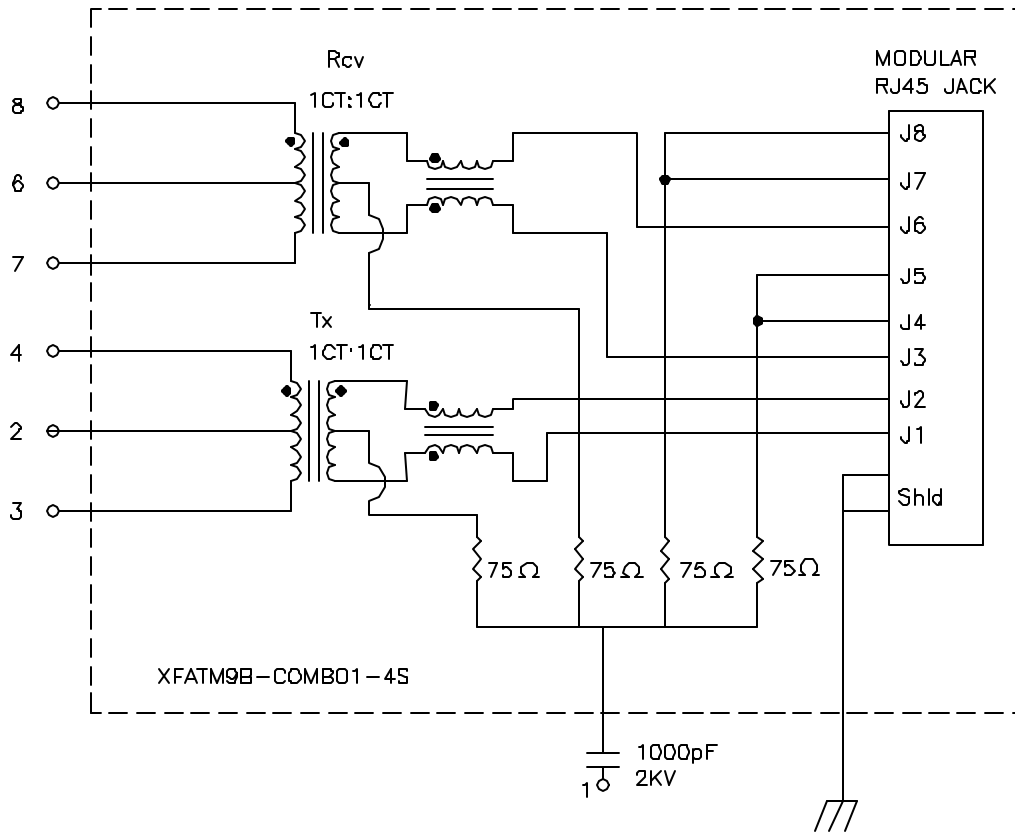


Schematic:



Electrical Specifications: @25°C

Isolation Voltage: 1500Vrms
 UTP SIDE OCL: 350uH Min @100KHz 100mV 8mADC
 Rise Time (10-90%): 2.5ns Typical
 Insertion Loss (100KHz-100MHz): -1.1dB Maximum
 Insertion Loss (100MHz-125MHz): -1.5dB Maximum
 Return Loss: -18dB Min. @30MHz
 -12dB Min @80MHz

Crosstalk:

100KHz-60MHz -40dB Typical
 60MHz-100MHz -38dB Typical

Common Mode to Differential Mode Rejection:

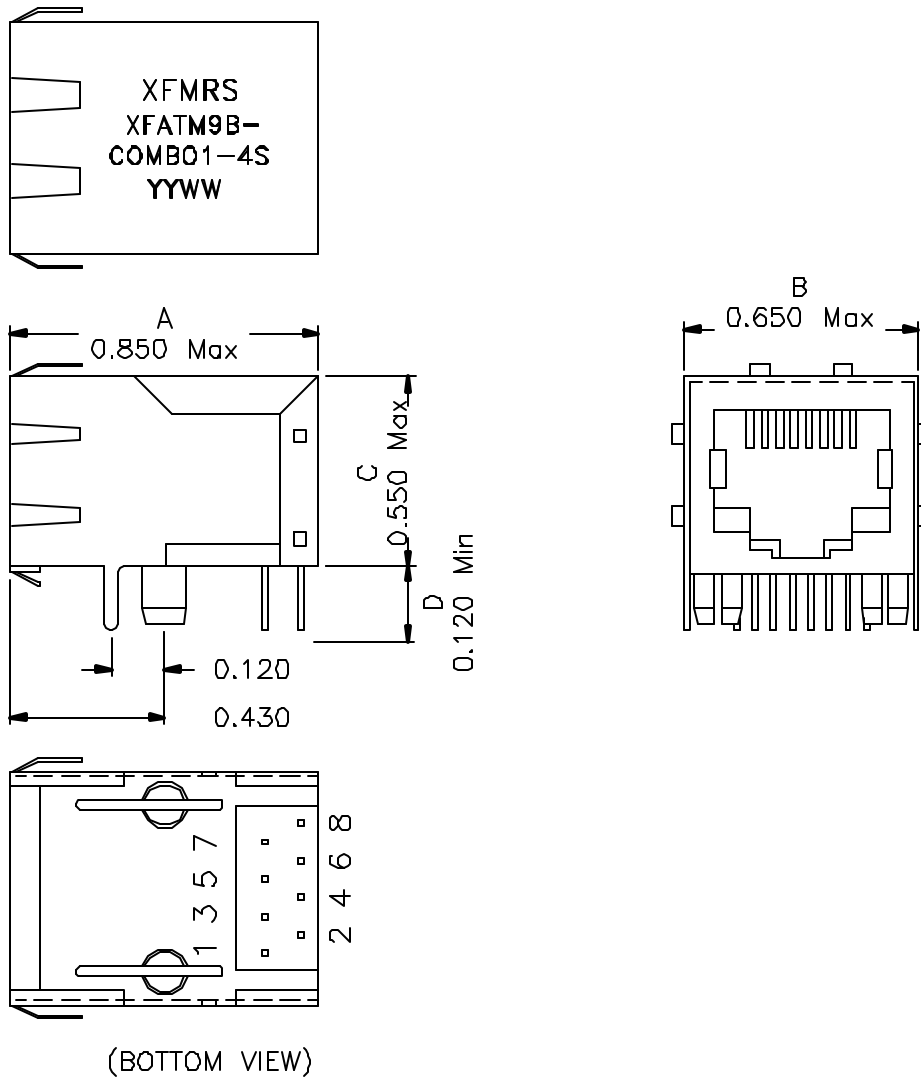
100KHz-60MHz -45dB Typ (Tx) / -40dB Typ (Rx)
 60MHz-100MHz -40dB Typ (Tx) / -35dB Typ (Rx)

Note:

- Solderability: Leads shall meet MIL-STD-202, Method 208D for solderability.
- Flammability: UL94V-0,
- ASTM oxygen index: > 28% ,
- Temperature rating: 155°C. UL file E151556,
- Operating Temperature Range: All listed parameters are to be within tolerance from -40°C to +85°C

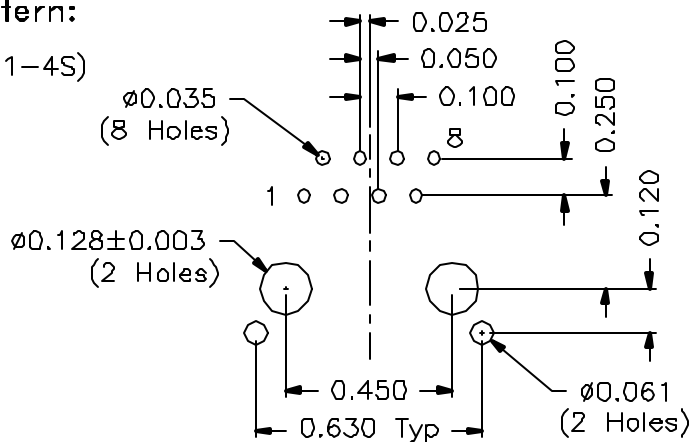
XFMRs Inc.	Title: SINGLE PORT COMBO		
UNLESS OTHERWISE SPECIFIED	P/N: XFATM9B-COMBO1-4S	REV. A	
TOLERANCES: .xxx ±0.010	DWN.	廖玉坤	Mar-27-01
Dimensions in Inch	CHK.	李清儿	Mar-27-01
DOC REV.: A/1	SHEET 1 OF 2	APP.	Joe Huff Mar-27-01

Mechanical Dimensions:



Mounting Pattern:

(FOR COMBO1-4S)
(COMP SIDE)



XFMR5 Inc.

Title: Mechanical Dimensions
For COMBO1-4S Series

UNLESS OTHERWISE SPECIFIED
TOLERANCES:
.xxx ± 0.010
Dimensions in Inch

P/N: XFATM9B-COMBO1-4S

REV. A

DWN.

廖玉坤

Mar-27-01

CHK.

李清川

Mar-27-01

APP.

Joe Huff

Mar-27-01

DOC. REV: A/1

SHEET 2 OF 2