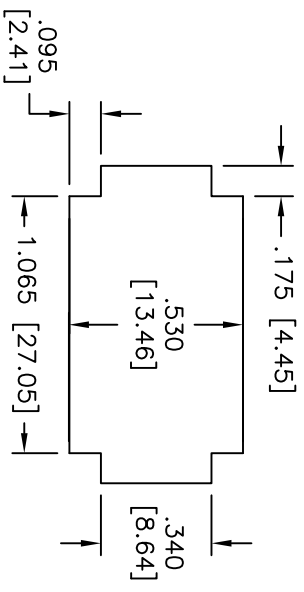
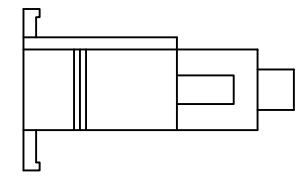
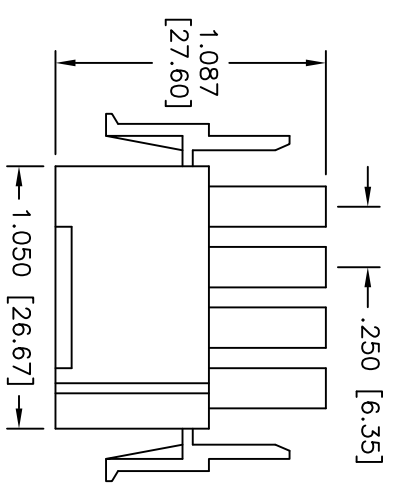
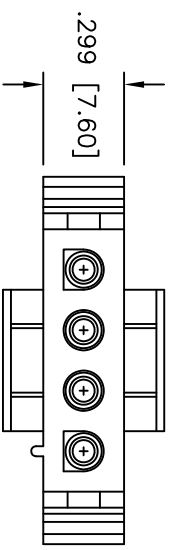
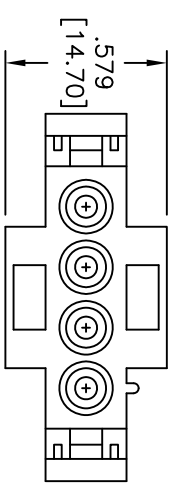


Rev	AWO #	Description	Date	Appr
-		RELEASED	11/22/10	

APPROVED: _____
 DATE: _____ TITLE: _____



RECOMMENDED PANEL HOLE



SPECIFICATIONS:

Material:
 Insulator: Thermoplastic, rated UL94V-2
 Insulator color: Natural
 Contact: Copper Alloy

Electrical:
 Current rating: 13A
 Voltage rating: 600V
 Insulation resistance: 1,000 Mohms min.
 Withstand voltage: 5000V AC/ minute
 Temperature range: -55°C to +105°C

Environmental:
 Lead free, RoHS compliant.

UNLESS OTHERWISE SPECIFIED
 ALL DIMENSIONS ARE INCHES [MM]
 TOLERANCES: EXCEPT AS NOTED

INCHES	HOLDS
.X ± .10	ØX ± .10
.XX ± .020	ØXX ± .015
.XXX ± .015	ØXXX ± .010

APPROVALS

DATE
11/22/10

ADAM TECH
 909 Railway Avenue, Union, NJ 07083
 Phone: 908-687-5000 Fax: 908-687-5710

TITLE: .250 [6.35] WIRE TO WIRE, MALE, 4 POLES

SIZE	PART NO.	REV.
X	DME-M-04	-

REF: S00004T SCALE: NTS SHEET 1 OF 1

