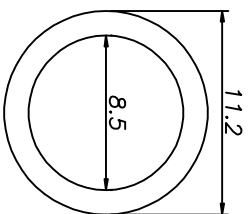
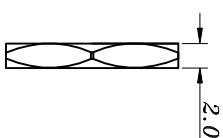
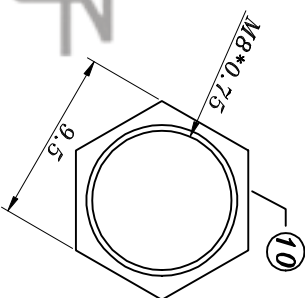
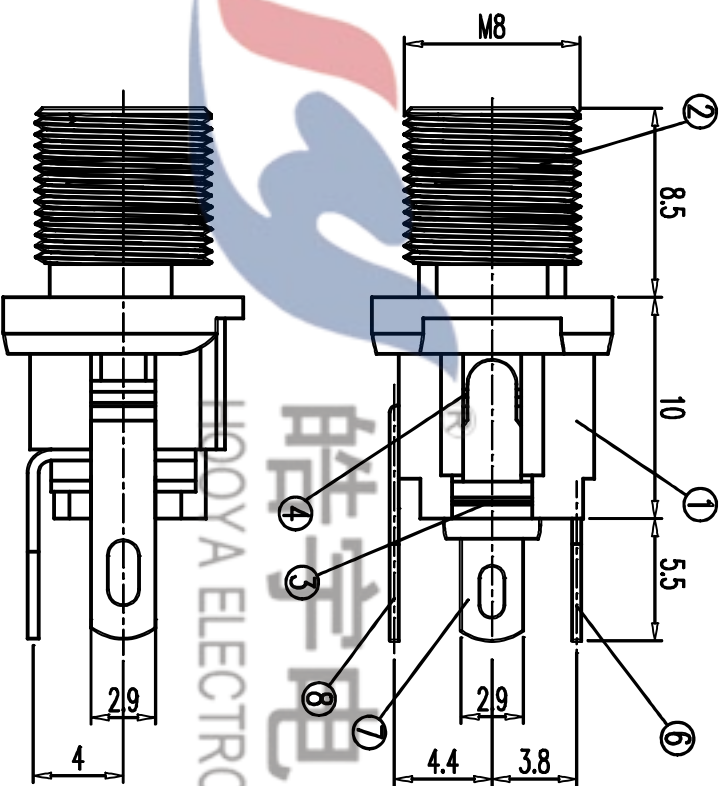
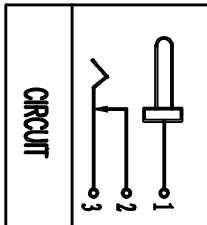


PCB HOLE LAYOUT
BOTTOM VIEW



PIN	ø2.0	ø2.5
APPD.		



CIRCUIT

10	NUT	BRASS	1	NI-PLATED
9	GASKET	IRON	1	NI-PLATED
8	TERMINAL	PHOSPHOR BRONZE	1	Sn-PLATED
7	TERMINAL	PHOSPHOR BRONZE	1	Sn-PLATED
6	TERMINAL	BRASS	1	Sn-PLATED
5	PIN	BRASS	1	Sn-PLATED
4	GASKET SMALL	PAPER HLUE	1	
3	GASKET BIG	PAPER HLUE	1	
2	OUTER CONTACT	BRASS	1	Sn-PLATED
1	HOUSING	PBT	1	BLACK
NO.	PART NAME	MATERIAL	QTY	FINISHING

TOLERANCE					
UNLESS SPECIFIED					
UP TO 5mm: ±0.1	ANGULAR				
ABOVE 5mm: ±0.2	±1°	NO	DATE	REVISIONS	BY

TITLE: DC JACK		UNIT : MM	ROHS	DWN
MODEL: DC-025BM 螺母插片		SCALE: 1:1	COMPLIANT	CHEK'D
				APPD

HAOYU(HONGKONG)LIMITED
皓宇(香港)有限公司

PRO.AGI: REV :A0