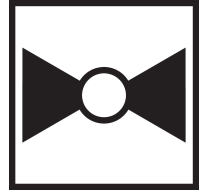




5-year warranty



Type overview

Type	DN	ANSI Class
G215B-F	15	250

Technical data

Functional data	Fluid	chilled or hot water, up to 60% glycol, steam
	Body Pressure Rating	ANSI Class 250, up to 400 psi below 150°F
	Servicing	repack kits available
	Rangeability Sv	100:1
	Max Differential Pressure (Steam)	20 psi [103 kPa]
	Flow Pattern	2-way
	Leakage rate	ANSI Class VI
	Controllable flow range	stem up - open A – AB
	Cv	1.3
	Maximum Inlet Pressure (Steam)	35 psi [241 kPa]
	Fluid Temp Range (water)	20...280°F [-7...138°C]
	ANSI Class	250
	Body pressure rating note	up to 400 psi below 150°F
	Valve Size	0.5" [15]
Materials	Valve plug	brass
	Seat	Bronze
	End fitting	NPT female ends

Safety notes

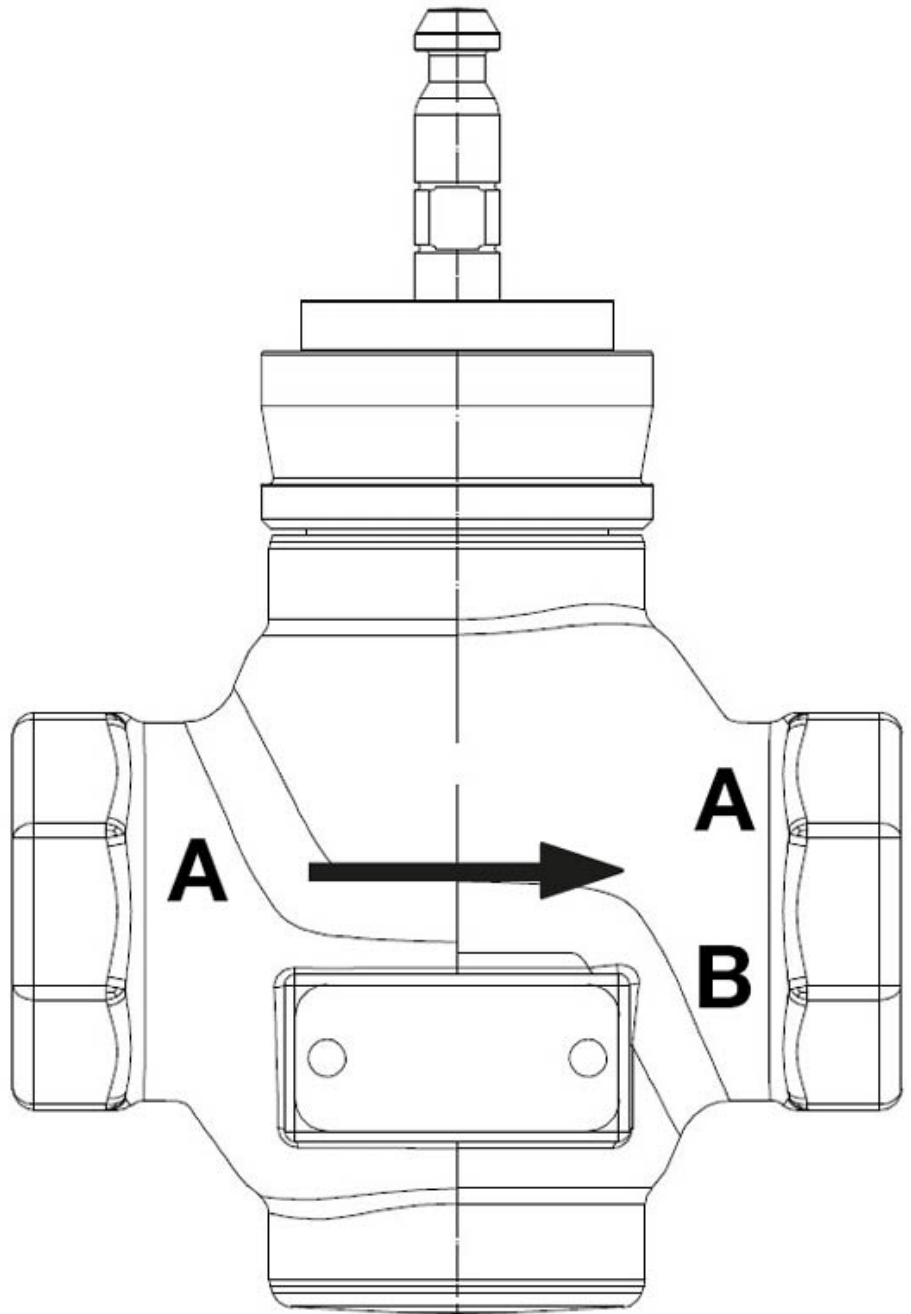


WARNING: This product can expose you to lead which is known to the State of California to cause cancer and reproductive harm. For more information go to www.p65warnings.ca.gov

Product features

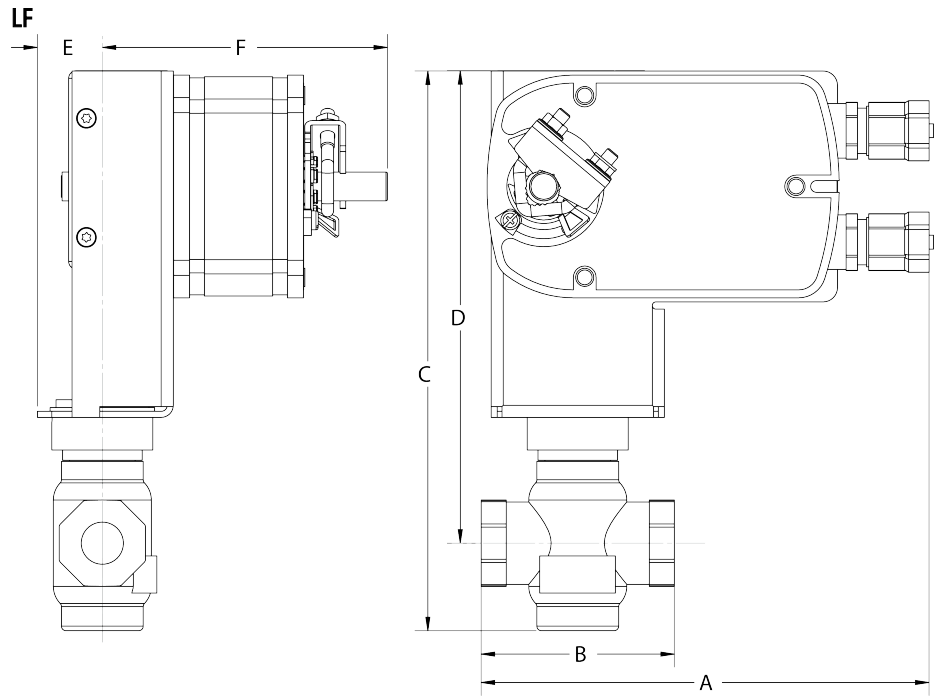
Application This valve is typically used in air handling units on heating or cooling coils, and fan coil unit heating or cooling coils. Some other common applications include unit ventilators, VAV box re-heat coils and bypass loops. This valve is suitable for use in hydronic systems with variable flow. Bronze and stainless steel trim valves can be used for steam applications, depending on actuator and close-off combinations.

Piping The valves should be mounted in a weather-protected area in a location that is within the ambient limits of the actuator. Allow sufficient room for valve with actuator and for service. The G2 and G3 preferred mounting position of the valve is with the valve stem vertical above the valve body, for maximum life. However, the assemblies can be mounted with the valve stem vertical or horizontal in relation to the pipe. The actuators should never be mounted underneath the valve, as condensation can build up and result in a failure of the actuators.

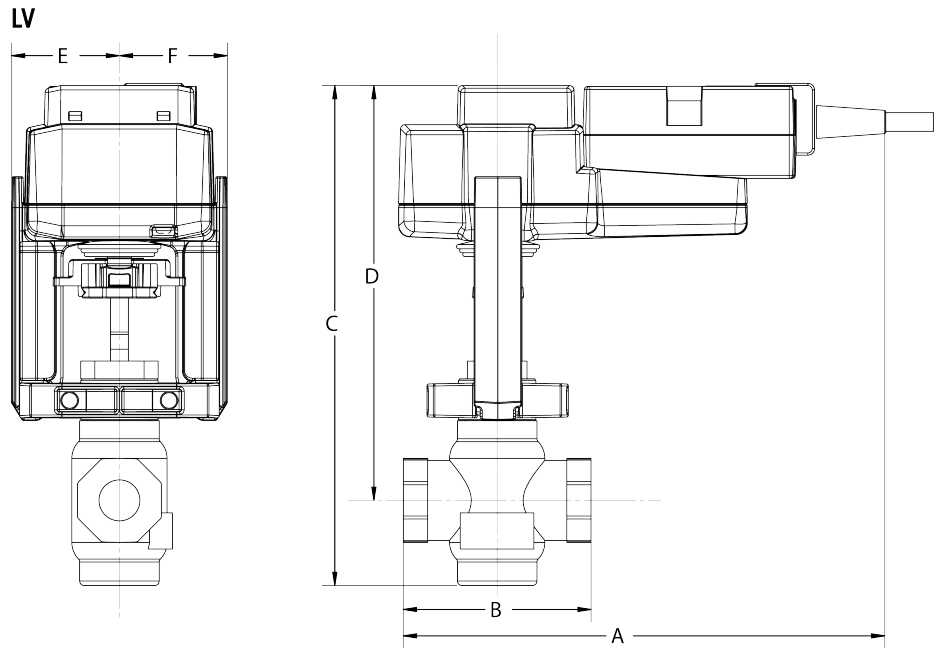
Flow/Mounting details

Dimensions

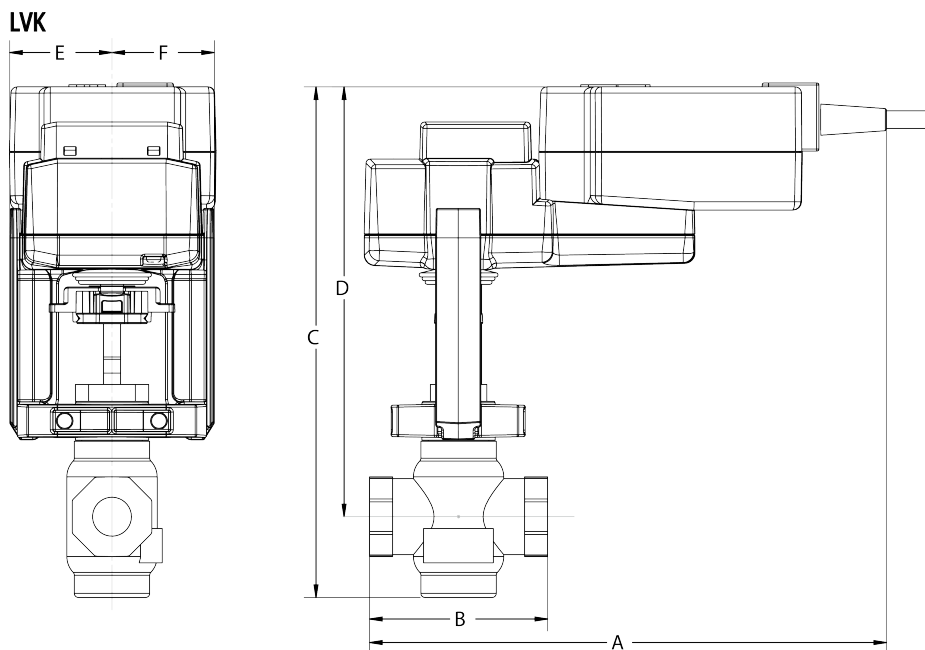
Dimensional drawings



A	B	C	D	E	F
7.9" [200]	3.4" [86]	9.7" [247]	8.2" [208]	1.2" [30]	4.9" [125]



A	B	C	D	E	F
8.6" [218]	3.4" [86]	8.9" [226]	7.4" [188]	1.9" [48]	1.9" [48]



A	B	C	D	E	F
9.7" [246]	3.4" [86]	9.6" [244]	8.1" [206]	1.9" [48]	1.9" [48]