

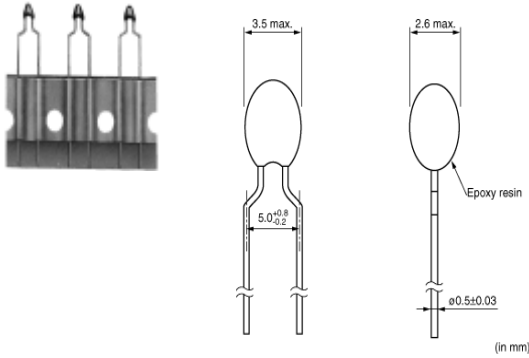
NTSA0XM202EN6A0

To be discontinued

RoHS

REACH

Appearance & Shape



Features

1. +/-1% of resistance and +/-0.5% of B-Constant is realized due to technical advantages of the material and manufacturing process.
2. This product provides faster response time due to its smaller size.
3. Taping type is available.
4. Original lead-wiring technique assures reliable connection. It can be formed and bent flexibly according to the mounting conditions.

Applications

Other Usage	<ol style="list-style-type: none"> 1. Rechargeable batteries 2. Battery charging circuits
-------------	---


Packaging Information

Packaging	Specifications	Minimum Order Quantity
A0	Ammo Pack	3000

Attention

1. This datasheet is downloaded from the website of Murata Manufacturing Co., Ltd. Therefore, its specifications are subject to change or our products may be discontinued without advance notice. Please check with our sales representatives or product engineers before ordering.
 2. This datasheet has only typical specifications because there is no space for detailed specifications.
 Therefore, please review our product specifications or consult the approval sheet for product specifications before ordering.

NTSA0XM202EN6A0



Specifications

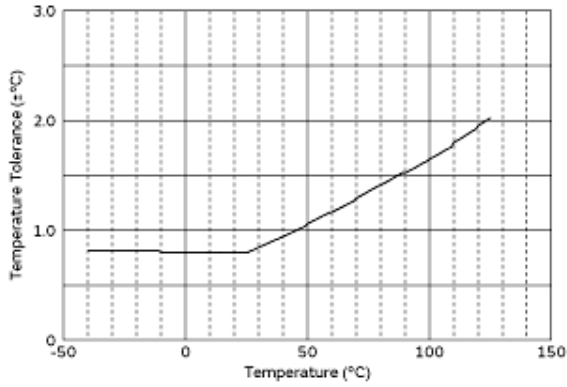
Resistance (25°C)	2kΩ
Resistance Value Tolerance (at 25°C)	±3%
B-Constant (25/50°C)	3500K
B-Constant (25/50°C) Tolerance	±0.5%
B-Constant (25/80°C) (Reference Value)	3523K
B-Constant (25/85°C) (Reference Value)	3526K
B-Constant (25/100°C) (Reference Value)	3543K
Permissible Operating Current (25°C)	1.05mA
Rated Electric Power (25°C)	21mW
Typical Dissipation Constant (25°C)	2.1mW/°C
Thermal Time Constant	7s
Operating Temperature Range	-40°C to 125°C
Lead Shape	Lead Wire type
Shape	Lead

Attention

1.This datasheet is downloaded from the website of Murata Manufacturing Co., Ltd. Therefore, it's specifications are subject to change or our products may be discontinued without advance notice. Please check with our sales representatives or product engineers before ordering.
 2.This datasheet has only typical specifications because there is no space for detailed specifications.
 Therefore, please review our product specifications or consult the approval sheet for product specifications before ordering.

NTSA0XM202EN6A0

Product Data



Temperature Tolerance-Temperature Characteristics

Attention

1.This datasheet is downloaded from the website of Murata Manufacturing Co., Ltd. Therefore, it's specifications are subject to change or our products may be discontinued without advance notice. Please check with our sales representatives or product engineers before ordering.
2.This datasheet has only typical specifications because there is no space for detailed specifications.
Therefore, please review our product specifications or consult the approval sheet for product specifications before ordering.