

FEATURES

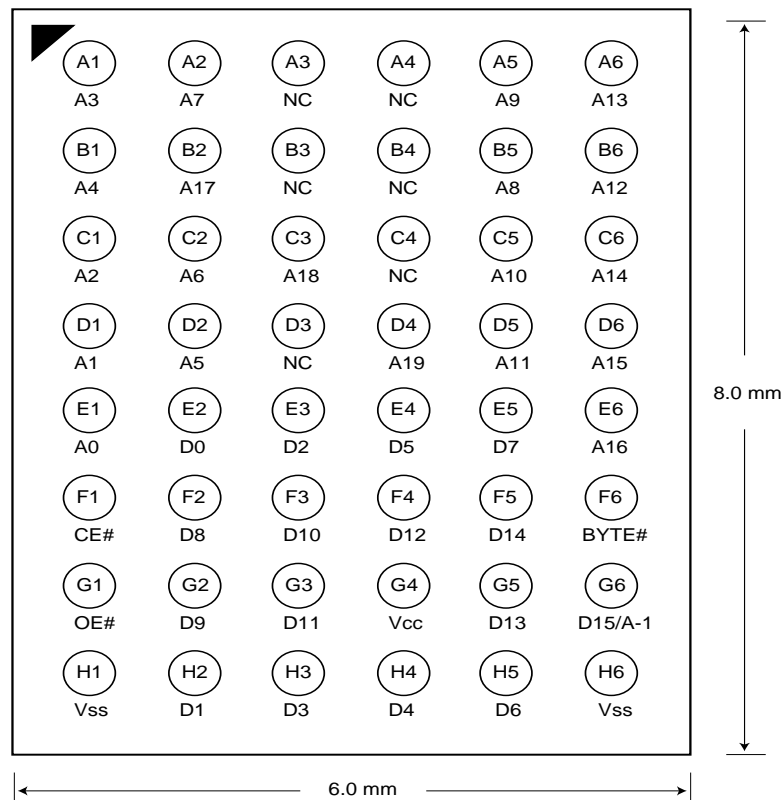
- Bit organization
 - 2M x 8 (byte mode)
 - 1M x 16 (word mode)
- Fast access time
 - Random access:70ns(max.)
- Current
 - Operating:25mA
 - Standby:5uA
- Supply voltage
 - 2.7V ~ 3.6V
- Package
 - 48 ball mini BGA (6mm x 8mm, ball pitch 0.8mm, ball size 0.4mm)
- Temperature
 - -40 ~ 85° C

PIN DESCRIPTION

Symbol	Pin Function
A0~A19	Address Inputs
D0~D14	Data Outputs
D15/A-1	D15 (Word Mode)/ LSB Address (Byte Mode)
CE#	Chip Enable Input
OE#	Output Enable Input
Byte#	Word/ Byte Mode Selection
VCC	Power Supply Pin
VSS	Ground Pin
NC	No Connection

PIN CONFIGURATION

48 mini BGA (Top View, Ball Down)



ORDER INFORMATION

Part No.	Speed	Package	Grade	Note
MX23L1612XI-70	70ns	48 ball mini BGA	Industrial	
MX23L1612XI-90	90ns	48 ball mini BGA	Industrial	
MX23L1612XI-70G	70ns	48 ball mini BGA	Industrial	Lead free package
MX23L1612XI-90G	90ns	48 ball mini BGA	Industrial	Lead free package

Note: Industrial grade temperature: -40 ~ 85° C
 Commercial grade temperature: 0 ~ 70° C

MODE SELECTION

CE#	OE#	Byte#	D15/A-1	D0~D7	D8~D15	Mode	Power
H	X	X	X	High Z	High Z	-	Stand-by
L	H	X	X	High Z	High Z	-	Active
L	L	H	Output	D0~D7	D8~D15	Word	Active
L	L	L	Input	D0~D7	High Z	Byte	Active

ABSOLUTE MAXIMUM RATINGS

Item	Symbol	Ratings
Voltage on any Pin Relative to VSS	VIN	-0.3V to 3.9V
Ambient Operating Temperature	Topr	-40° C to 85° C
Storage Temperature	Tstg	-65° C to 125° C

DC CHARACTERISTICS (Ta = -40° C ~ 85° C, VCC = 2.7V~3.6V)

Item	Symbol	MIN.	MAX.	Conditions
Output High Voltage	VOH	2.4V	-	IOH = -400uA
Output Low Voltage	VOL	-	0.4V	IOL = 1.6mA
Input High Voltage	VIH	2.2V	VCC+0.3V	
Input Low Voltage	VIL	-0.3V	0.8V	
Input Leakage Current	ILI	-	5uA	0V, VCC
Output Leakage Current	ILO	-	5uA	0V, VCC
Operating Current	ICC	-	25mA	f=5MHz, CE#=VIL, OE#=VIH all output open
Standby Current (CMOS)	ISTB	-	5uA	CE#>VCC-0.2V
Input Capacitance	CIN	-	10pF	Ta = 25° C, f = 1MHZ
Output Capacitance	COUT	-	10pF	Ta = 25° C, f = 1MHZ

AC CHARACTERISTICS (Ta = -40° C ~ 85° C, VCC = 2.7V~3.6V)

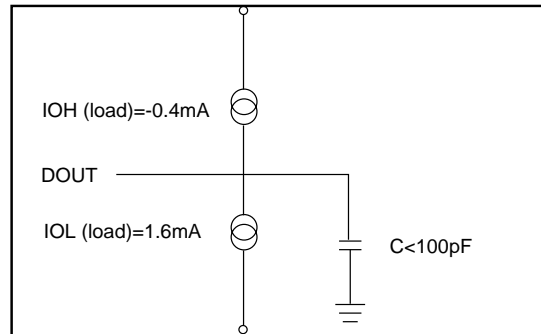
Item	Symbol	23L1612-70		23L1612-90	
		MIN.	MAX.	MIN.	MAX.
Read Cycle Time	tRC	70ns	-	90ns	-
Address Access Time	tAA	-	70ns	-	90ns
Chip Enable Access Time	tACE	-	70ns	-	90ns
Output Enable Time	tOE	-	30ns	-	40ns
Output Hold After Address	tOH	0ns	-	0ns	-
Output High Z Delay	tHZ	-	20ns	-	20ns

Note: Output high-impedance delay (tHZ) is measured from OE# or CE# going high, and this parameter guaranteed by design over the full voltage and temperature operating range - not tested.

AC Test Conditions

Input Pulse Levels	0V~ 3.0V
Input Rise and Fall Times	5ns
Input Timing Level	1.5V
Output Timing Level	1.5V
Output Load	See Figure

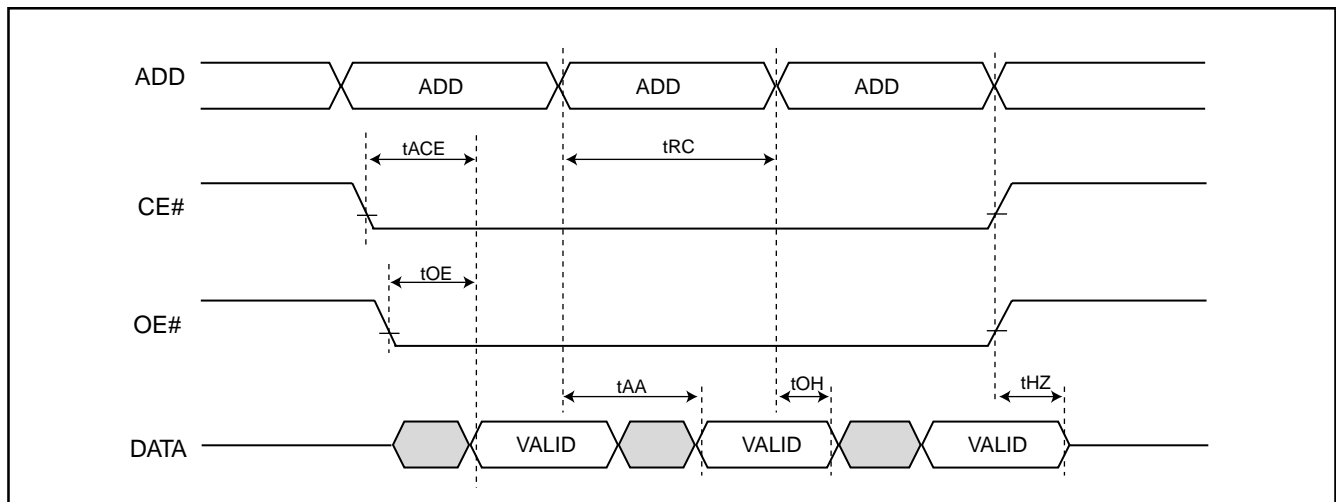
Note: 30pF output load capacitance for 70 and 90ns speed grade
100pF output load capacitance for 120ns speed grade



Note: No output loading is present in tester load board.
Active loading is used and under software programming control.
Output loading capacitance includes load board's and all stray capacitance.

TIMING DIAGRAM

RANDOM READ

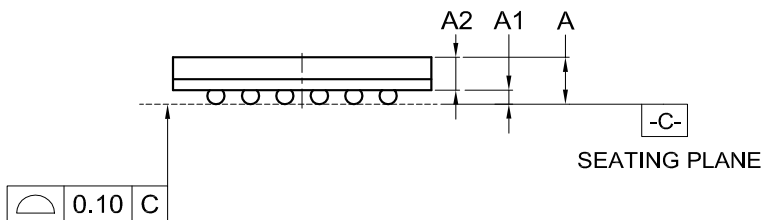
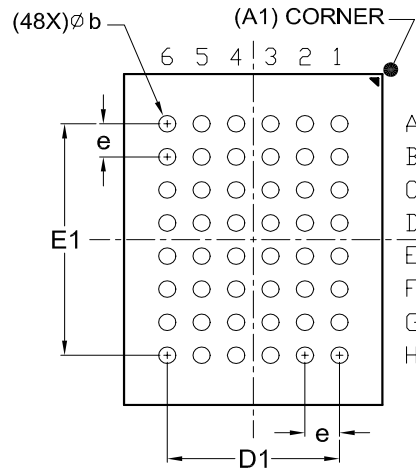
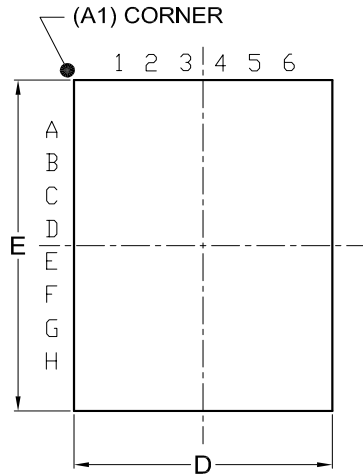


PACKAGE INFORMATION

Title: Package Outline for CSP 48BALL(6X8X1.3MM,BALL PITCH 0.8MM,BALL DIAMETER 0.4MM)

TOP VIEW

BOTTOM VIEW



Dimensions (inch dimensions are derived from the original mm dimensions)

SYMBOL		A	A1	A2	b	D	D1	E	E1	e
mm	Min.	---	0.25	0.65	0.35	5.90		7.90		
	Nom.	---	0.30	---	0.40	6.00	4.00	8.00	5.60	0.80
	Max.	1.30	0.35	---	0.45	6.10		8.10		
Inch	Min.	---	0.010	0.026	0.014	0.232		0.311		
	Nom.	---	0.012	---	0.016	0.236	0.157	0.315	0.220	0.031
	Max.	0.051	0.014	---	0.018	0.240		0.319		

DWG.NO.	REVISION	REFERENCE			ISSUE DATE
		JEDEC	EIAJ		
6110-4202	4	MO-219			12-12-'03

REVISION HISTORY

Revision No.	Description	Page	Date
1.1	Added Order Information	P2	JUL/10/2001
1.2	Order Information added commercial grade Add 48 ball mini BGA (6mm x 8mm, ball pitch 0.8mm) Add Temperature:-40~85° C	P2 P1,5 P1	JUL/16/2001
1.3	Add CE#=VIL, OE#=VIH in DC Characteristics's ICC	P3	OCT/03/2001
1.4	Modify 48-Ball BGA Package Information	P4,5	MAR/12/2002
1.5	Replace 8mm x 9mm BGA with 6mm x 8mm BGA Phase out 100ns and 120ns speed grade Add Lead free package	P1 P3 P2	MAY/20/2002
1.6	Modify Package Information	P4	JUN/23/2003



MX23L1612

MACRONIX INTERNATIONAL Co., LTD.

Headquarters:

TEL:+886-3-578-6688

FAX:+886-3-563-2888

Europe Office :

TEL:+32-2-456-8020

FAX:+32-2-456-8021

Hong Kong Office :

TEL:+86-755-834-335-79

FAX:+86-755-834-380-78

Japan Office :

Kawasaki Office :

TEL:+81-44-246-9100

FAX:+81-44-246-9105

Osaka Office :

TEL:+81-6-4807-5460

FAX:+81-6-4807-5461

Singapore Office :

TEL:+65-6346-5505

FAX:+65-6348-8096

Taipei Office :

TEL:+886-2-2509-3300

FAX:+886-2-2509-2200

MACRONIX AMERICA, INC.

TEL:+1-408-262-8887

FAX:+1-408-262-8810

<http://www.macronix.com>
