

**PLEASE CHECK WWW.MOLEX.COM FOR LATEST PART INFORMATION**

**Part Number:** [73415-1002](#)  
**Status:** **Active**  
**Overview:** MMCX RF Connectors  
**Description:** 50 Ohms, MMCX Right-Angle PCB, Jack Receptacle, Gold (Au) Plating per Commercial Requirements, One Piece Per Bag

**Documents:**

[Drawing \(PDF\)](#) [RoHS Certificate of Compliance \(PDF\)](#)

**General**

|                 |                                    |
|-----------------|------------------------------------|
| Product Family  | RF/Coax Connectors                 |
| Series          | <a href="#">73415</a>              |
| Overview        | <a href="#">MMCX RF Connectors</a> |
| Product Name    | MMCX                               |
| Style           | PCB                                |
| UPC             | 800756723365                       |
| Wire/Cable Type | N/A                                |

**Physical**

|                             |              |
|-----------------------------|--------------|
| Gender                      | Jack         |
| Keying to Mating Part       | None         |
| Net Weight                  | 0.436/g      |
| Orientation                 | Right Angle  |
| PCB Mounting                | Through Hole |
| PCB Thickness - Recommended | 2.40mm       |
| Packaging Type              | Bag          |
| Panel Mount                 | No           |
| Panel Mount Method          | N/A          |
| Reverse Polar               | No           |

**Electrical**

|           |     |
|-----------|-----|
| Impedance | 50# |
|-----------|-----|

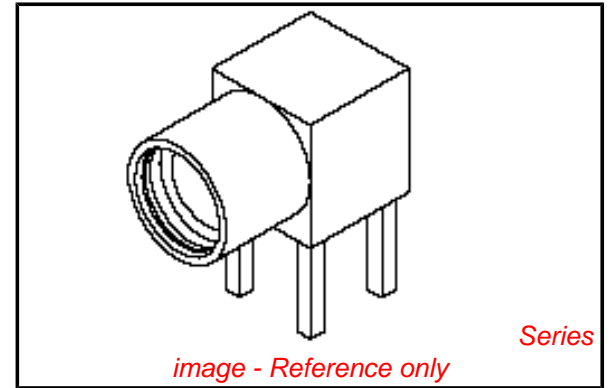
**Solder Process Data**

|  |                              |
|--|------------------------------|
| Duration at Max. Process Temperature (seconds) | 10                           |
| Lead-free Process Capability                   | SMC & Wave Capable (TH only) |
| Max. Cycles at Max. Process Temperature        | 2                            |
| Process Temperature max. C                     | 260                          |

**Material Info**

**Reference - Drawing Numbers**

|               |              |
|---------------|--------------|
| Sales Drawing | SD-73415-100 |
|---------------|--------------|



**EU RoHS**

**RoHS Compliant RF Product**

**REACH SVHC**

Not Reviewed

**Low-Halogen Status**

**Low-Halogen**

**China RoHS**



**Need more information on product environmental compliance?**

Email [productcompliance@molex.com](mailto:productcompliance@molex.com)  
 For a multiple part number RoHS Certificate of Compliance, [click here](#)

Please visit the [Contact Us](#) section for any non-product compliance questions.

**Search Parts in this Series**

73415Series