

T-3 Miniature Cap Fuse Style

A96 SERIES

- T-3 MINIATURE CAP FUSE STYLE NON-GROUNDED LAMPHOLDERS
- FOR HEAVY DUTY APPLICATIONS
- 1/4" TAB TERMINALS
- POLYESTER OR ZINC PLATED STEEL BASE
- MAXIMUM RATING: 12 WATTS, 13.5 VOLTS

Overview

The A96 Series lampholders are designed for automotive usage and other heavy duty applications. Lampholders are supplied with two sturdy clips to hold the bulb securely. Lampholders are non-grounded and designed for use with 211-2, 212-2 or 214-2 fuse style lamps.

Specifications

Bulb clips: tin plated spring steel, 211-2 size clips.

Contacts: electro tinned brass.

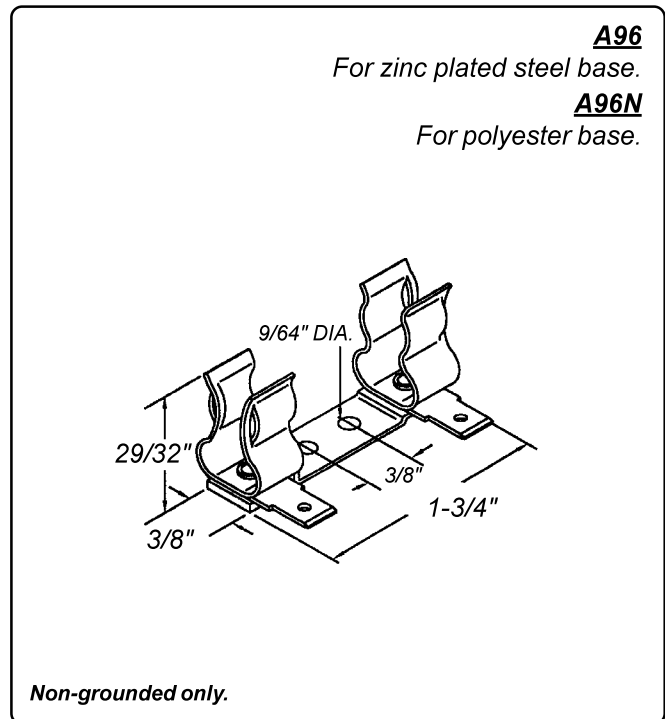
Terminals:

1/4" tab: electro tinned brass, 1/4" length x 0.032" thick. Non-grounded units are supplied with two 1/4" tab terminals.

Mounting:

Mounting base: zinc plated steel or polyester, with 9/64" diameter holes on 3/8" centers. Custom mounting brackets and plating types are available.

Maximum rating: 12 Watts, 13.5 Volts.



Can't find it here? We have many more standard and custom solutions

The items in this product sheets are only a small representative sample of the complete VCC product line. We manufacture many additional products which are not shown in this product sheet due to space constraints.

Custom products can also be designed uniquely for you by our Technical Support Professionals. Starting from your ideas and specifications, we work with your personnel to develop timely and cost effective solutions for your miniature lighting needs.

VCC Technical Support Services are provided without charge and may include designs, prototypes and pre-production samples.

For further information, phone Customer Service at 800.522.5546.